

US00D751020S

(12) **United States Design Patent**  
**Mahoney et al.**

(10) **Patent No.:** **US D751,020 S**  
(45) **Date of Patent:** **\*\* Mar. 8, 2016**

(54) **VEHICLE WHEEL**

(71) Applicant: **Ford Motor Company**, Dearborn, MI (US)

(72) Inventors: **David Mahoney**, Orchard Lake, MI (US); **Jesse Diephuis**, West Bloomfield, MI (US)

(73) Assignee: **Ford Motor Company**, Dearborn, MI (US)

(\*\*) Term: **14 Years**

(21) Appl. No.: **29/511,847**

(22) Filed: **Dec. 15, 2014**

(51) **LOC (10) Cl.** ..... **12-16**

(52) **U.S. Cl.**  
USPC ..... **D12/211**

(58) **Field of Classification Search**  
USPC ..... D12/204–213  
CPC ..... B60B 7/00; B60B 7/02; B60B 7/04; B60B 7/01; B60B 7/06; B60B 3/02; B60B 3/04; B60B 3/06; B60B 3/10; B60B 1/00; B60B 1/08; B60B 1/10; B60B 1/12  
See application file for complete search history.

(56) **References Cited**

**U.S. PATENT DOCUMENTS**

D409,552 S \* 5/1999 Chung ..... D12/211  
D494,524 S \* 8/2004 Rice ..... D12/211

D530,253 S \* 10/2006 Coutts ..... D12/209  
D530,258 S \* 10/2006 Schell ..... D12/211  
D573,081 S \* 7/2008 Kim ..... D12/211  
D575,718 S \* 8/2008 Pfeiffer ..... D12/211  
D589,428 S \* 3/2009 Scheu ..... D12/211  
D597,919 S \* 8/2009 Atwell ..... D12/211  
D605,574 S \* 12/2009 Abdallah ..... D12/211  
D625,235 S \* 10/2010 Nissl ..... D12/209  
D635,907 S \* 4/2011 Futschik ..... D12/211  
D660,768 S \* 5/2012 De Bono ..... D12/211  
D669,008 S \* 10/2012 von Holzhausen ..... D12/211  
D673,102 S \* 12/2012 Behmer ..... D12/211  
D688,188 S \* 8/2013 Baum ..... D12/211  
D695,198 S \* 12/2013 Juergens ..... D12/211  
D715,715 S \* 10/2014 Pollmann ..... D12/209  
D724,513 S \* 3/2015 Wolff ..... D12/209  
D726,091 S \* 4/2015 Mays ..... D12/211  
D741,237 S \* 10/2015 Furst ..... D12/209

\* cited by examiner

*Primary Examiner* — Stacia Cadmus

(74) *Attorney, Agent, or Firm* — Damian Porcari

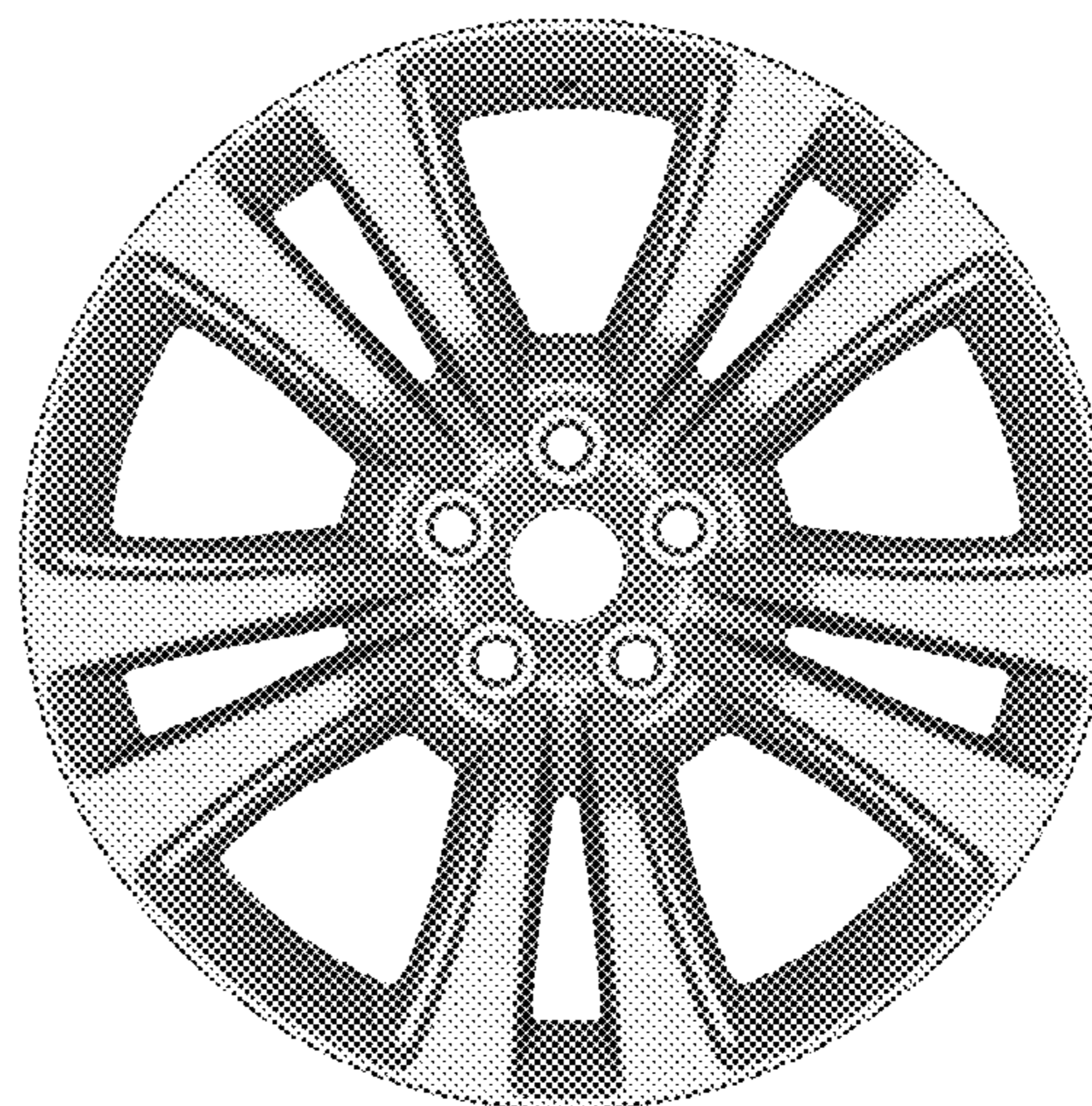
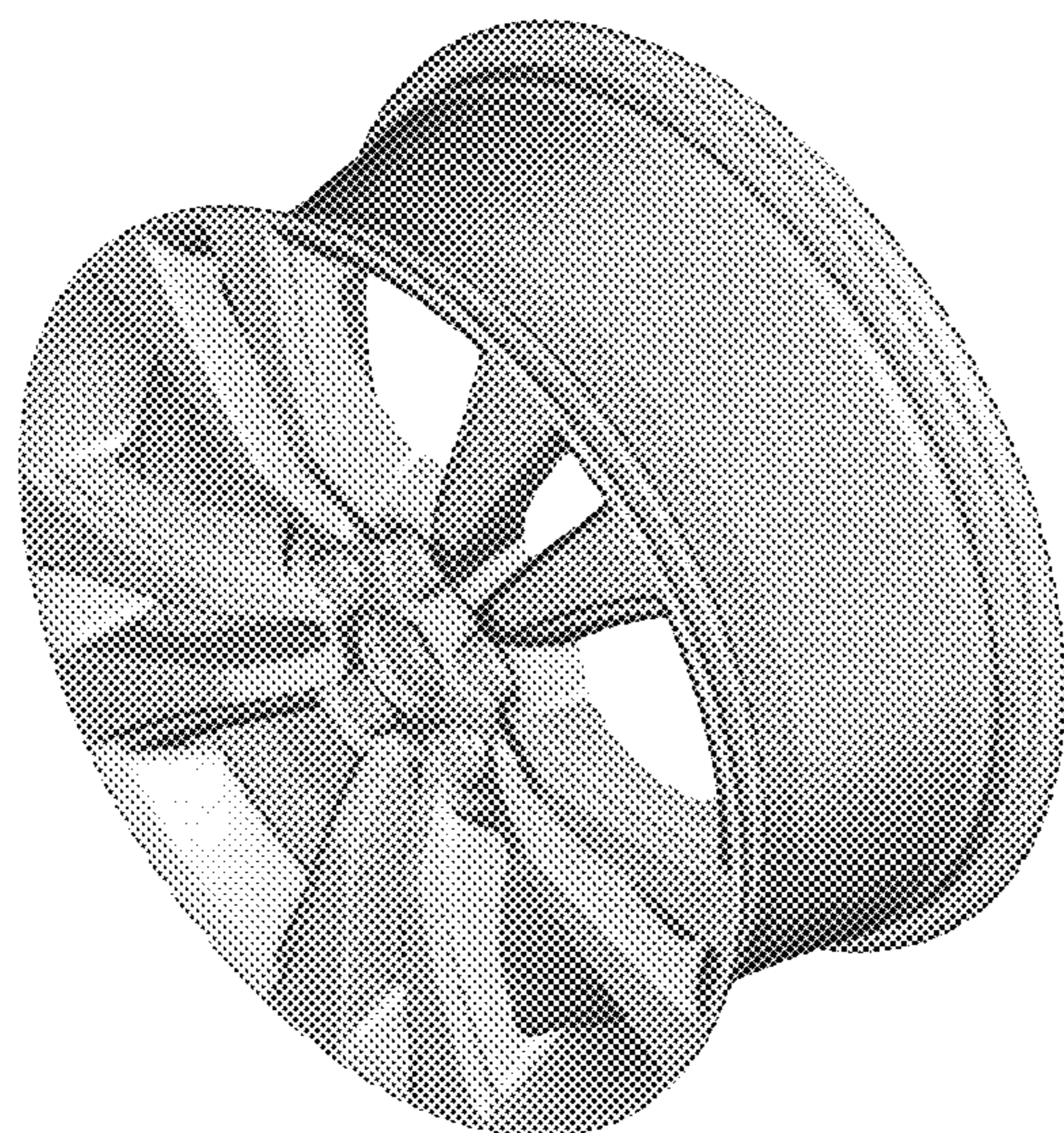
(57) **CLAIM**

The ornamental design for a vehicle wheel, as shown and described.

**DESCRIPTION**

FIG. 1 is a perspective view of a vehicle wheel; and, FIG. 2 is a front view thereof.

**1 Claim, 2 Drawing Sheets**



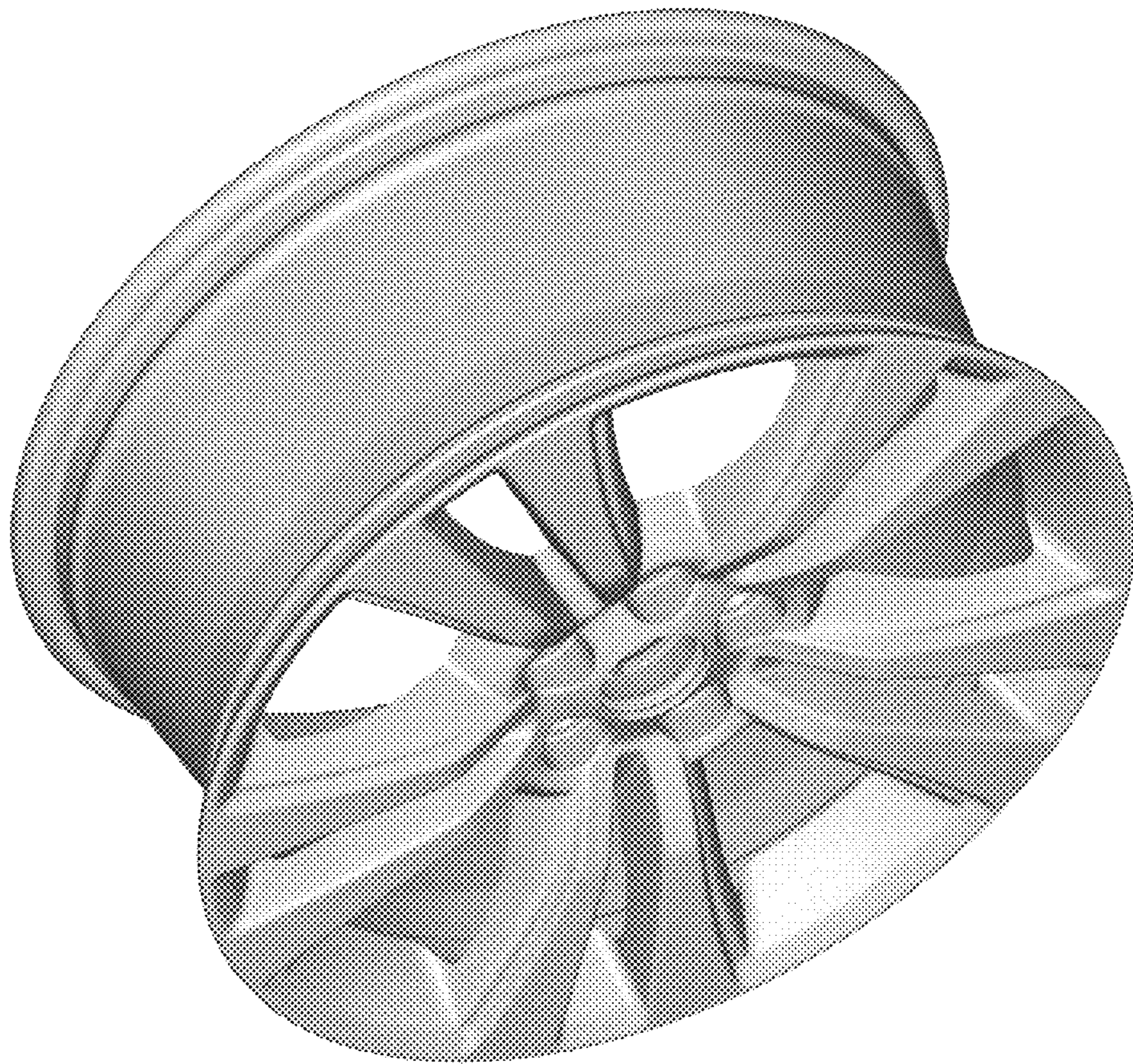


Figure 1



Figure 2