



US00D751019S

(12) **United States Design Patent**
Behmer et al.

(10) **Patent No.:** **US D751,019 S**
(45) **Date of Patent:** **** Mar. 8, 2016**

(54) **VEHICLE WHEEL**

(71) Applicant: **Ford Motor Company**, Dearborn, MI (US)

(72) Inventors: **Darrell Behmer**, Novi, MI (US); **Henry Bernardo**, Southfield, MI (US); **Damon Depeyster**, Northville, MI (US)

(73) Assignee: **Ford Motor Company**, Dearborn, MI (US)

(**) Term: **14 Years**

(21) Appl. No.: **29/508,902**

(22) Filed: **Nov. 12, 2014**

(51) **LOC (10) Cl.** **12-16**

(52) **U.S. Cl.**
USPC **D12/211**

(58) **Field of Classification Search**
USPC D12/204–213
CPC B60B 7/00; B60B 7/02; B60B 7/04;
B60B 7/01; B60B 7/06; B60B 3/02; B60B 3/04;
B60B 3/06; B60B 3/10; B60B 1/00; B60B 1/08;
B60B 1/10; B60B 1/12
See application file for complete search history.

(56) **References Cited**

U.S. PATENT DOCUMENTS

D567,167 S * 4/2008 Forster D12/211
D585,354 S * 1/2009 Powell D12/211
D594,801 S * 6/2009 Imai D12/211
D608,713 S 1/2010 Bucher et al.
D608,714 S 1/2010 Bucher et al.

D608,715 S 1/2010 Bucher et al.
D629,346 S * 12/2010 Szews D12/211
D635,904 S * 4/2011 Futschik D12/209
D644,588 S * 9/2011 Schweizer D12/211
D648,254 S * 11/2011 Barry D12/209
D669,008 S * 10/2012 von Holzhausen D12/211
D670,632 S * 11/2012 Schweizer D12/211
D672,702 S * 12/2012 Pollmann D12/211
D723,988 S * 3/2015 Kito D12/209
D728,441 S * 5/2015 Zhang D12/209
D730,795 S * 6/2015 Mays D12/209
D731,389 S * 6/2015 Gotschke D12/211
D734,234 S * 7/2015 Juergens D12/209
D738,804 S * 9/2015 George D12/209

OTHER PUBLICATIONS

Jason Udy. Spied: Refreshed 2016 Ford Explorer Loses Some Camo. Oct. 11, 2014 [online], [retrieved on Nov. 3, 2014] Retrieved from the Internet <URL: http://wot.motortrend.com/1410_spied_refreshed_2016_ford_explorer_loses_some_camo.html>.
2016 Ford Explorer SUV Review. [retrieved on Nov. 3, 2014] Retrieved from the Internet <URL: <http://www.edmunds.com/ford/explorer/2016/>>.

* cited by examiner

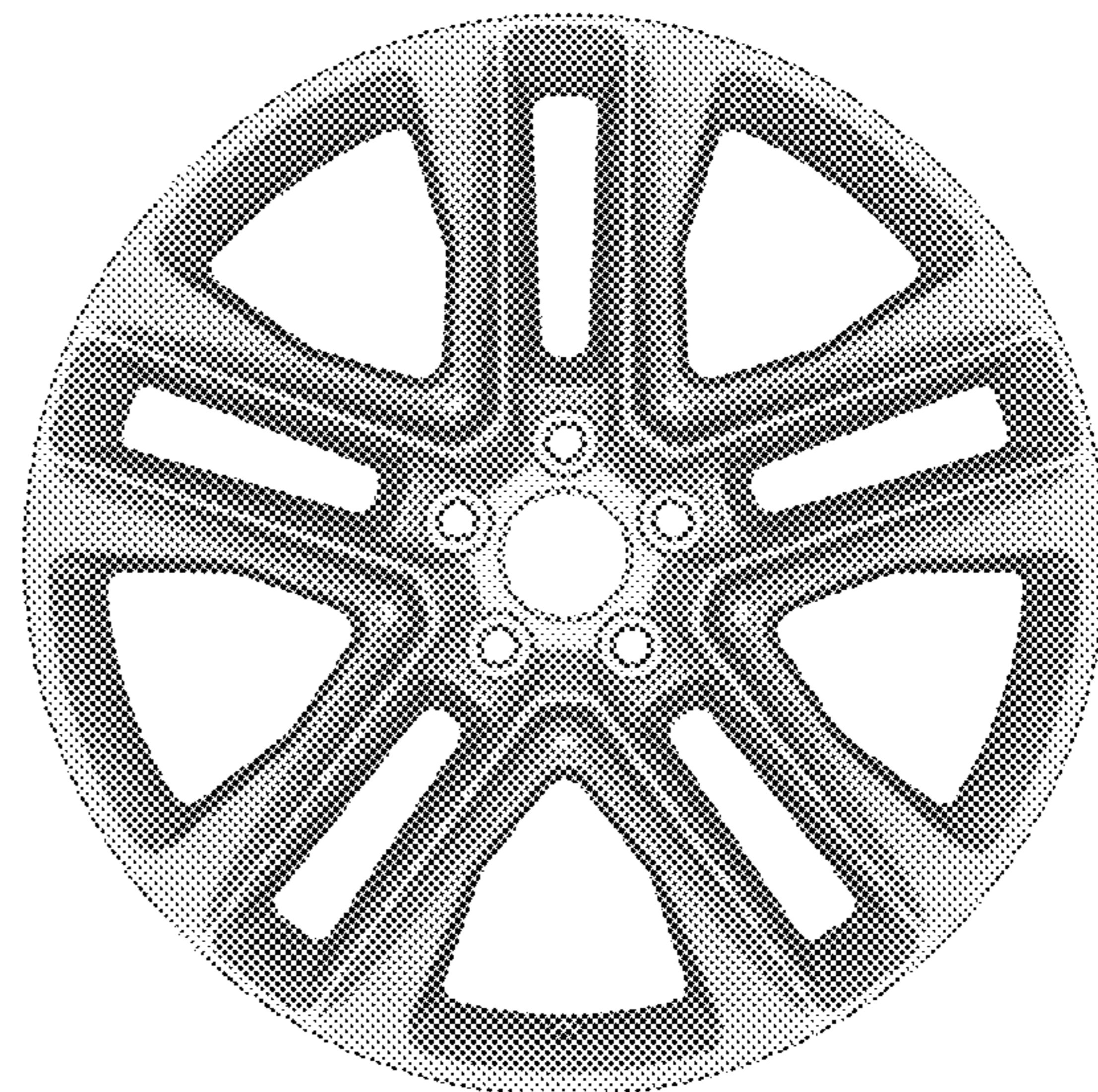
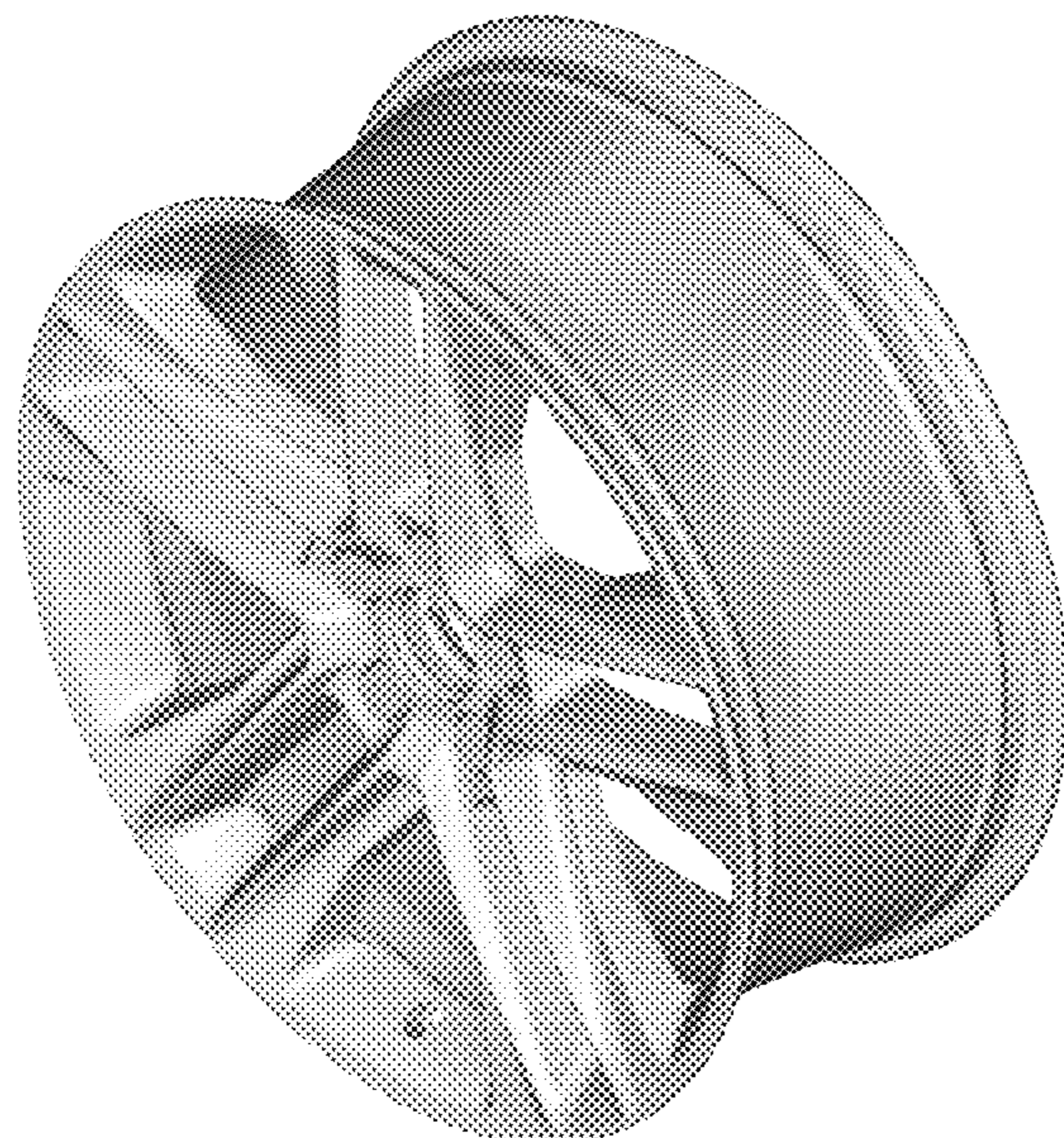
Primary Examiner — Stacia Cadmus
(74) *Attorney, Agent, or Firm* — Damian Porcari

(57) **CLAIM**
The ornamental design for a vehicle wheel, as shown and described.

DESCRIPTION

FIG. 1 is a perspective view of a vehicle wheel; and, FIG. 2 is a front view thereof.

1 Claim, 2 Drawing Sheets



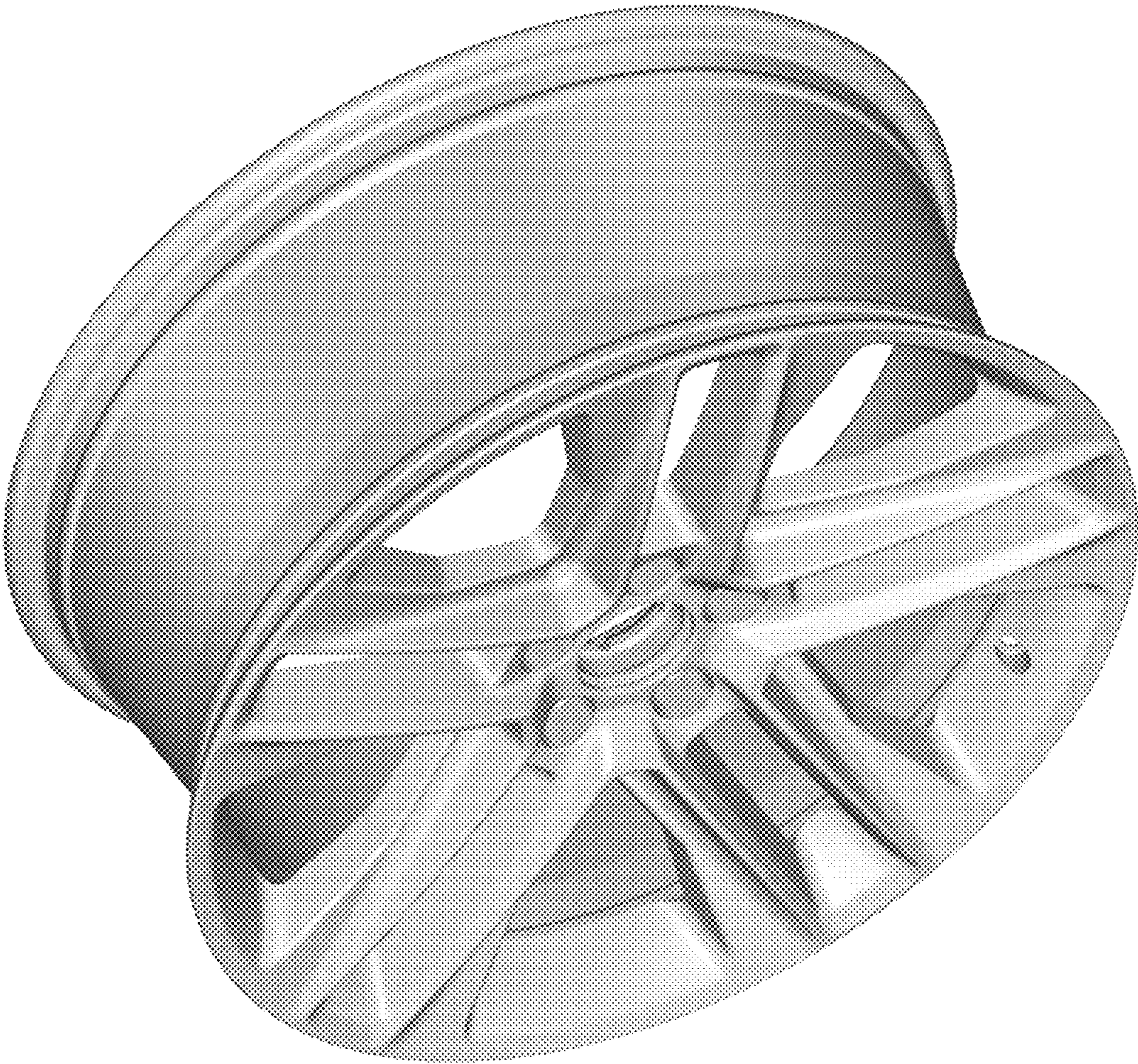


Figure 1



Figure 2