

US00D751018S

(12) **United States Design Patent**
Platto et al.

(10) **Patent No.:** **US D751,018 S**
(45) **Date of Patent:** **** Mar. 8, 2016**

(54) **VEHICLE WHEEL**

(71) Applicant: **Ford Motor Company**, Dearborn, MI (US)

(72) Inventors: **Gordon Platto**, Troy, MI (US); **Sean Tant**, Livonia, MI (US); **William K. Moore**, West Bloomfield, MI (US)

(73) Assignee: **Ford Motor Company**, Dearborn, MI (US)

(**) Term: **15 Years**

(21) Appl. No.: **29/537,793**

(22) Filed: **Aug. 28, 2015**

(51) **LOC (10) CI.** **12-16**

(52) **U.S. CI.**
USPC **D12/209**

(58) **Field of Classification Search**
USPC D12/204–213
CPC B60B 7/00; B60B 7/02; B60B 7/04;
B60B 7/01; B60B 7/06; B60B 3/02; B60B 3/04;
B60B 3/06; B60B 3/10; B60B 1/00;
B60B 1/08; B60B 1/10; B60B 1/12
See application file for complete search history.

(56) **References Cited**

U.S. PATENT DOCUMENTS

| | | | |
|--------------|---------|----------------|---------|
| D417,179 S * | 11/1999 | Galla | D12/209 |
| D527,699 S * | 9/2006 | Kiesel | D12/209 |
| D567,732 S * | 4/2008 | Chung | D12/209 |
| D623,573 S * | 9/2010 | Thurner | D12/209 |
| D639,223 S * | 6/2011 | Johnson | D12/209 |
| D659,064 S * | 5/2012 | Johnson | D12/209 |
| D666,955 S * | 9/2012 | Chung | D12/209 |
| D675,971 S * | 2/2013 | Lee | D12/209 |
| D680,047 S * | 4/2013 | Hale, Jr. | D12/209 |
| D695,181 S * | 12/2013 | Kong | D12/209 |
| D701,480 S * | 3/2014 | Kong | D12/209 |
| D719,890 S * | 12/2014 | Johnson | D12/209 |

* cited by examiner

Primary Examiner — Stacia Cadmus

(74) *Attorney, Agent, or Firm* — Damian Porcari

(57) **CLAIM**

The ornamental design for a vehicle wheel, as shown and described.

DESCRIPTION

FIG. 1 is a top perspective view of a vehicle wheel; and, FIG. 2 is a front elevational view thereof.

1 Claim, 2 Drawing Sheets

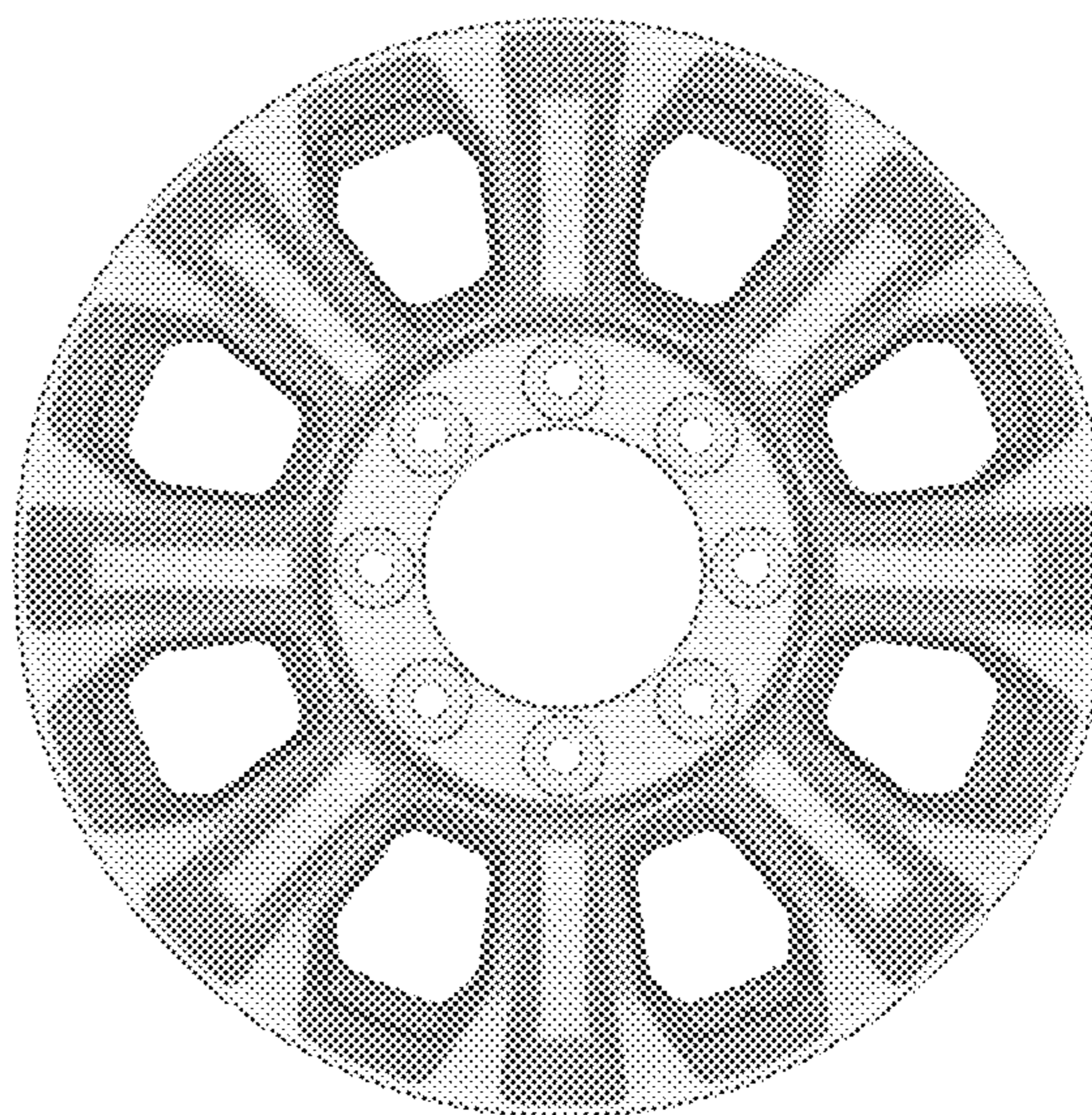
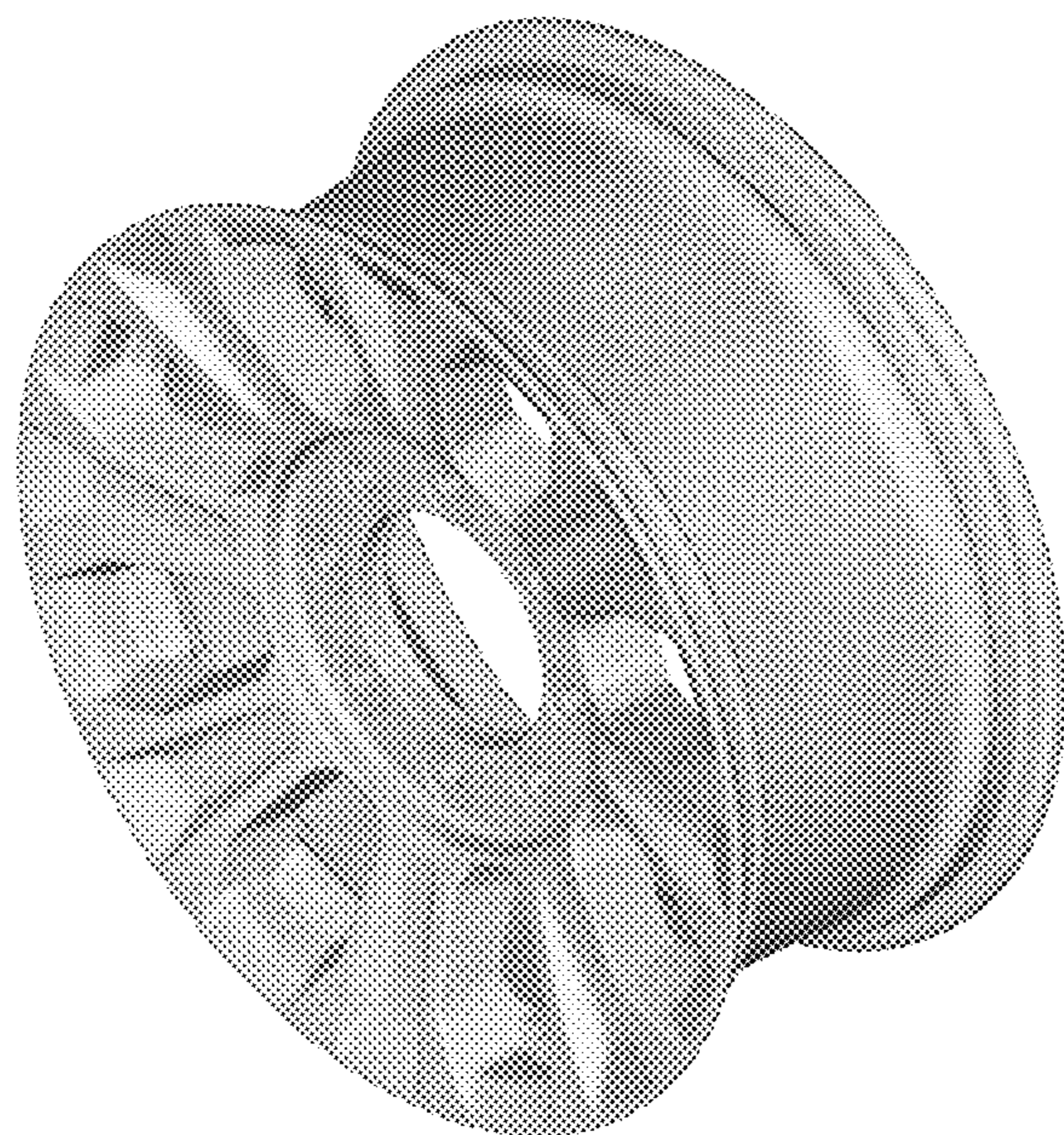




Figure 1

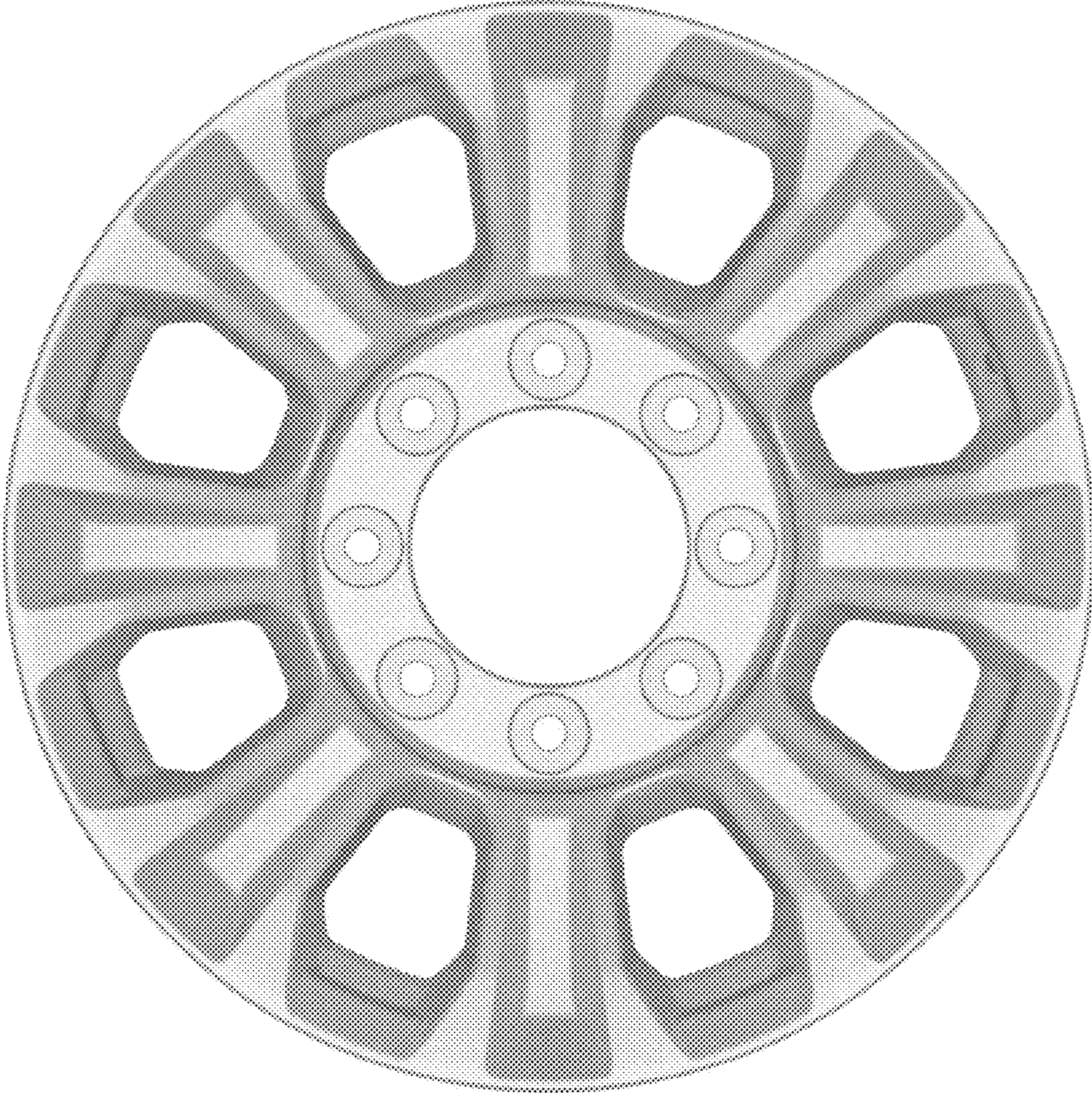


Figure 2