



US00D751017S

(12) **United States Design Patent**
Chung

(10) **Patent No.:** **US D751,017 S**
(45) **Date of Patent:** **** Mar. 8, 2016**

(54) **AUTOMOTIVE WHEEL**

(71) Applicant: **Suny Chung**, Anaheim, CA (US)

(72) Inventor: **Suny Chung**, Anaheim, CA (US)

(**) Term: **15 Years**

(21) Appl. No.: **29/530,733**

(22) Filed: **Jun. 18, 2015**

(51) **LOC (10) Cl.** **12-16**

(52) **U.S. Cl.**
USPC **D12/209**

(58) **Field of Classification Search**
USPC D12/204–213
CPC B60B 7/00; B60B 7/02; B60B 7/04;
B60B 7/01; B60B 7/06; B60B 3/02; B60B
3/04; B60B 3/06; B60B 3/10; B60B 1/00;
B60B 1/08; B60B 1/10; B60B 1/12
See application file for complete search history.

(56) **References Cited**

U.S. PATENT DOCUMENTS

D337,563 S *	7/1993	Boselli	D12/209
D396,208 S *	7/1998	Baumgartner	D12/211
D418,473 S *	1/2000	Chung	D12/211
D450,030 S *	11/2001	Pfeiffer	D12/211
D481,984 S *	11/2003	Sulahian	D12/211
D497,870 S *	11/2004	Cahyono	D12/211
D500,003 S *	12/2004	Guevara	D12/211
D505,375 S *	5/2005	Kushartanto	D12/211
D507,775 S *	7/2005	Pfeiffer	D12/211
D536,655 S *	2/2007	Kim	D12/211
D543,922 S *	6/2007	Young	D12/209
D545,749 S *	7/2007	Young	D12/211

D554,037 S *	10/2007	Chung	D12/211
D573,082 S *	7/2008	Young	D12/211
D591,663 S *	5/2009	Chung	D12/211
D604,683 S *	11/2009	Hosai	D12/209
D617,720 S *	6/2010	Zhao	D12/211
D671,062 S *	11/2012	Dilber	D12/211
D683,295 S *	5/2013	Pollmann	D12/209
D691,545 S *	10/2013	Gordon	D12/211
D702,173 S *	4/2014	Perini	D12/211
D704,117 S *	5/2014	Chung	D12/209
D714,708 S *	10/2014	Chung	D12/211
D724,515 S *	3/2015	Chung	D12/209
D726,088 S *	4/2015	Hodges	D12/211
D727,825 S *	4/2015	Chung	D12/211

* cited by examiner

Primary Examiner — Stacia Cadmus

(57) **CLAIM**

The ornamental design for an automotive wheel, as shown and described.

DESCRIPTION

FIG. 1 is a perspective view of an automotive wheel, showing my new design;
FIG. 2 is a front view thereof;
FIG. 3 is a perspective view of a second embodiment of an automotive wheel; and
FIG. 4 is a front view of FIG. 3.
FIG. 5 is a perspective view of a third embodiment of an automotive wheel; and,
FIG. 6 is a front view of FIG. 5.
The broken line showing of the rear portion of the wheel is included for the purpose of illustrating environment and forms no part of the claimed design.

1 Claim, 6 Drawing Sheets

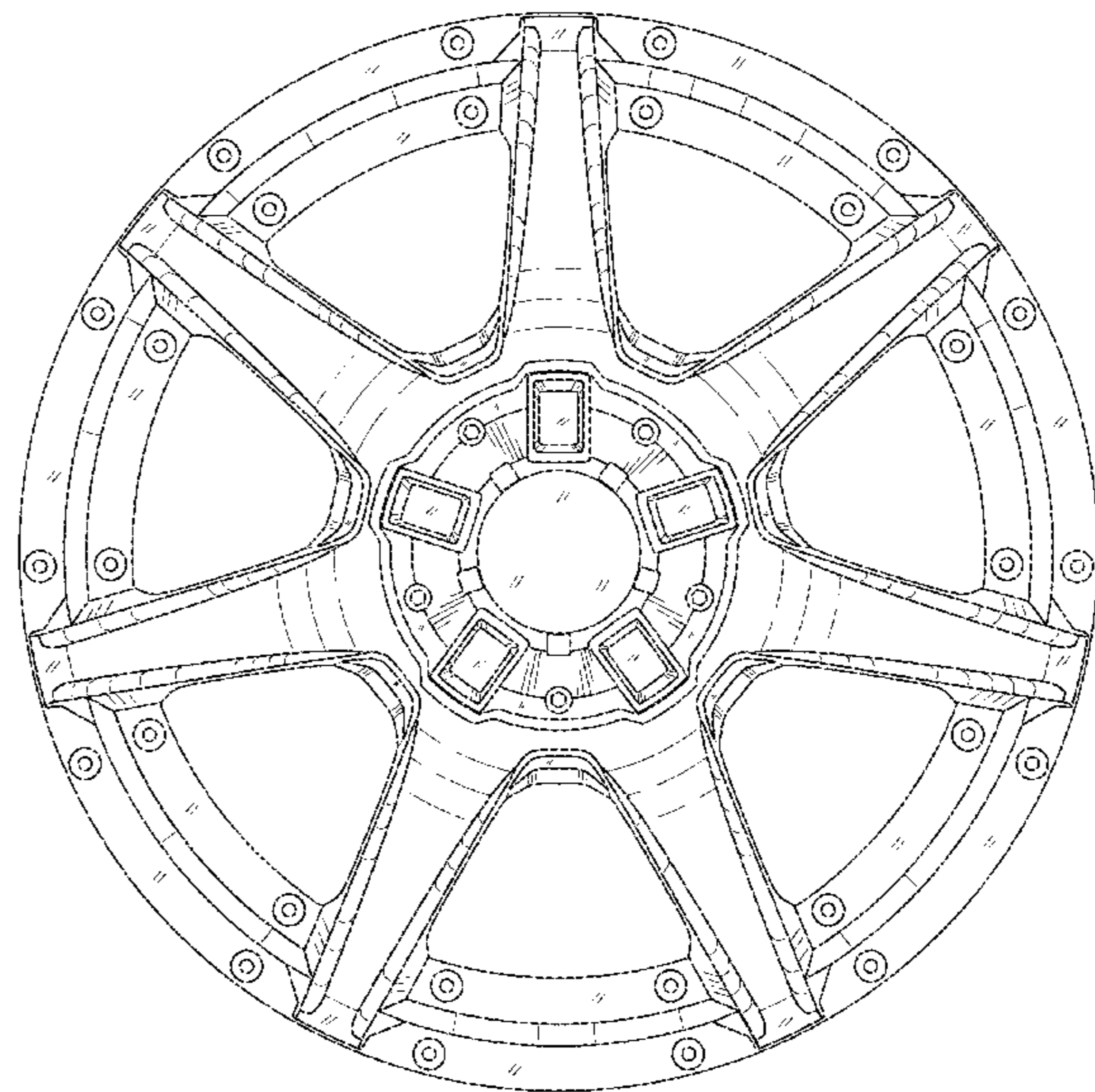
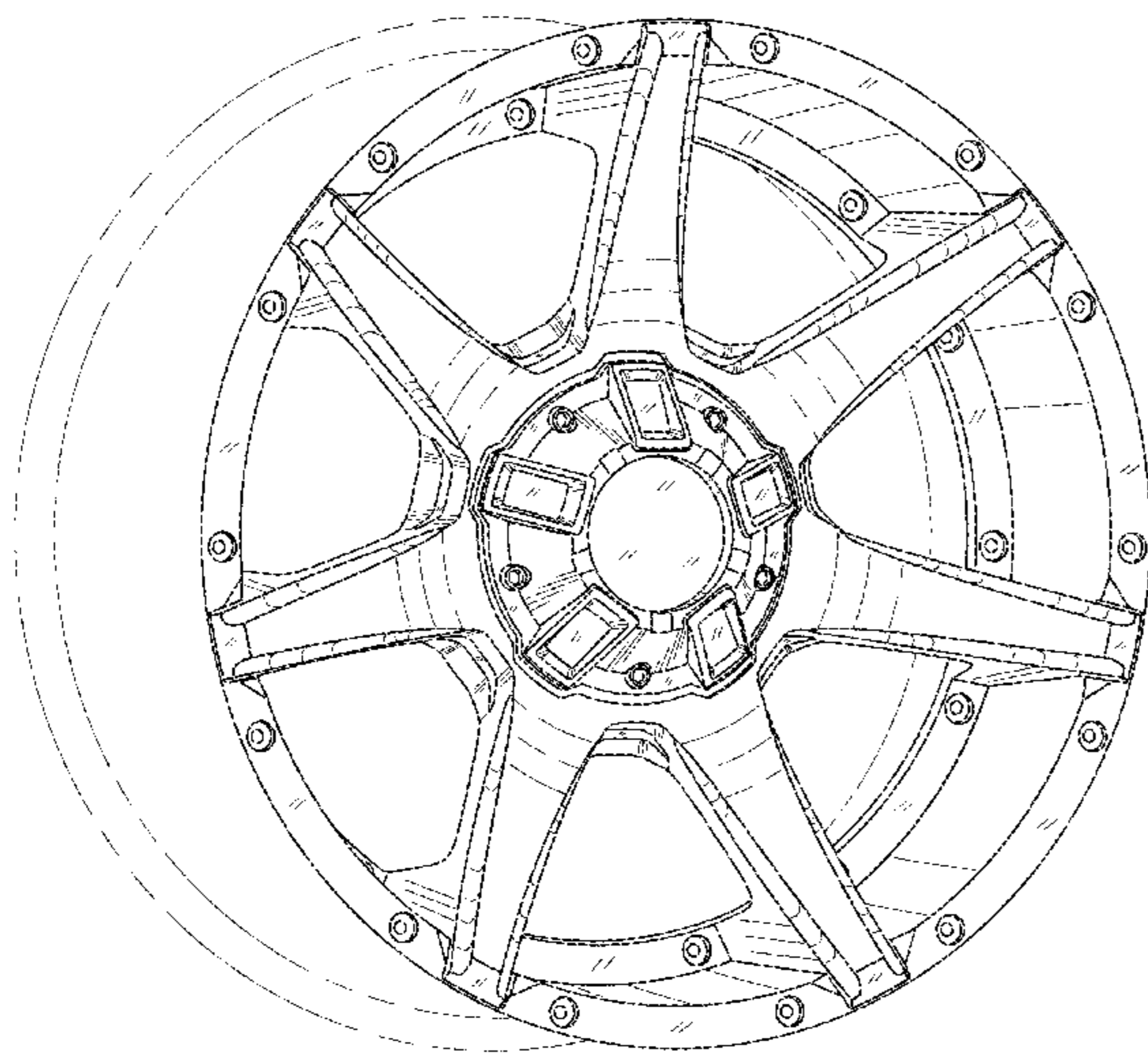


FIGURE 1

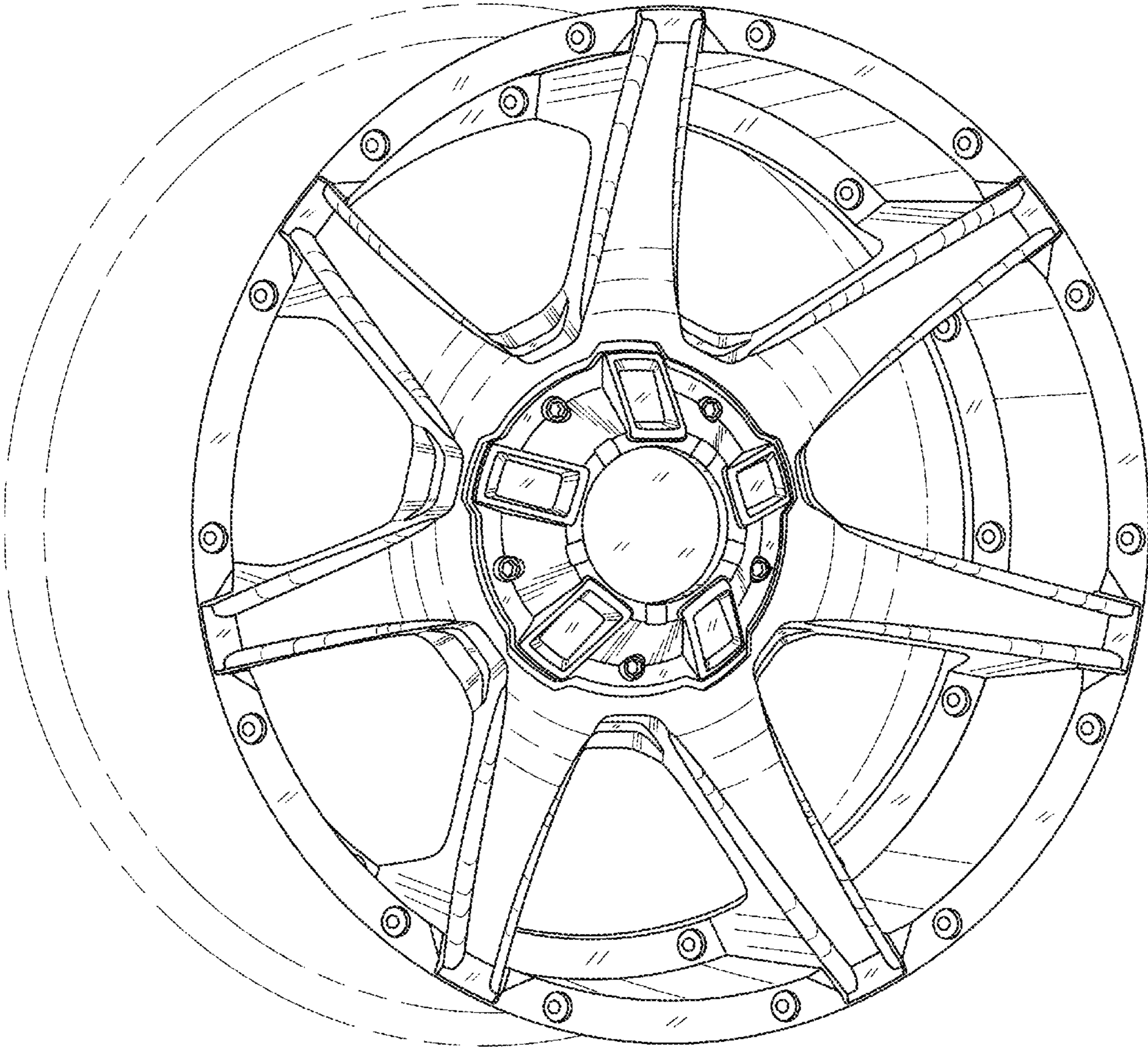


FIGURE 2

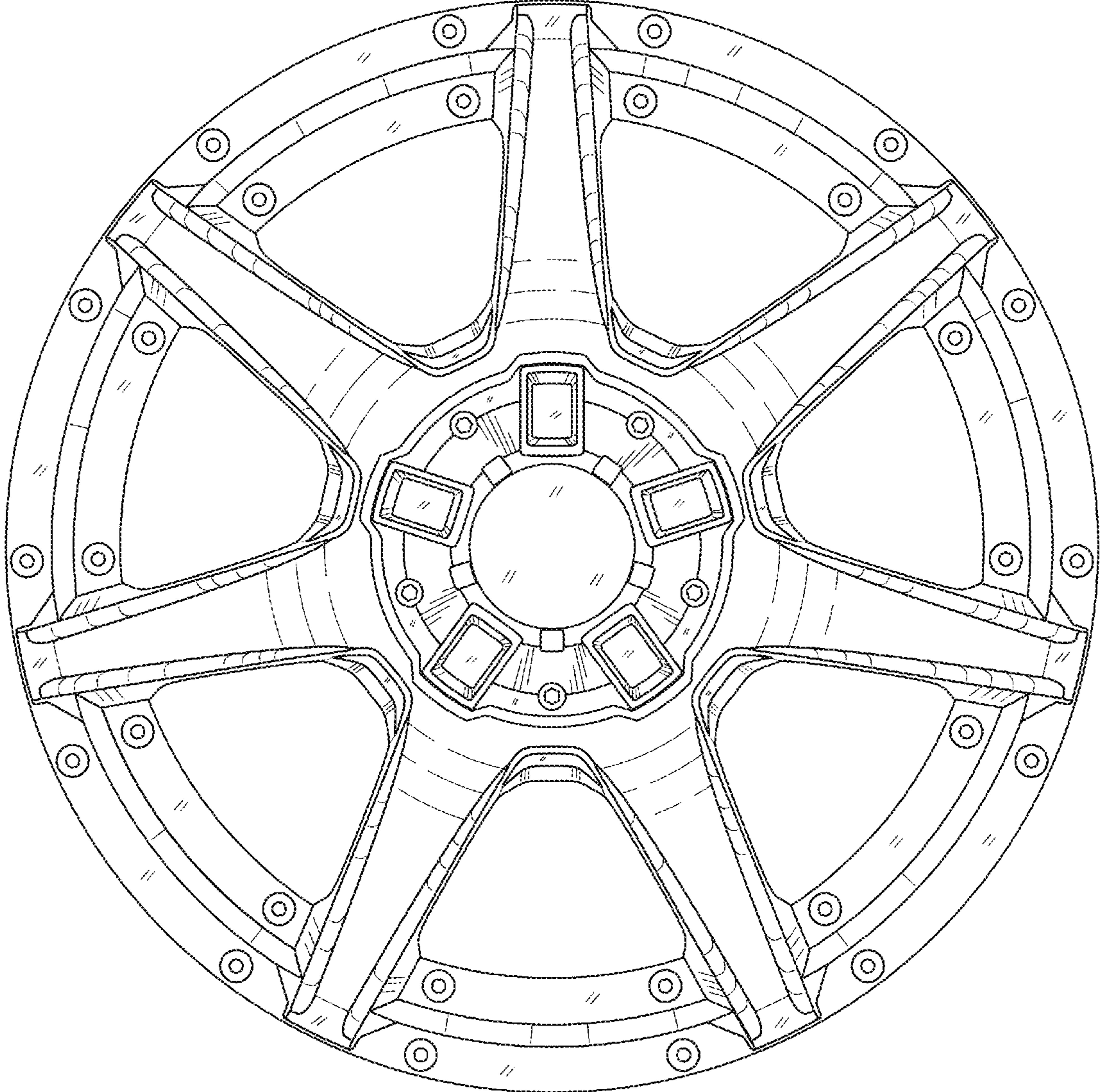


FIGURE 3

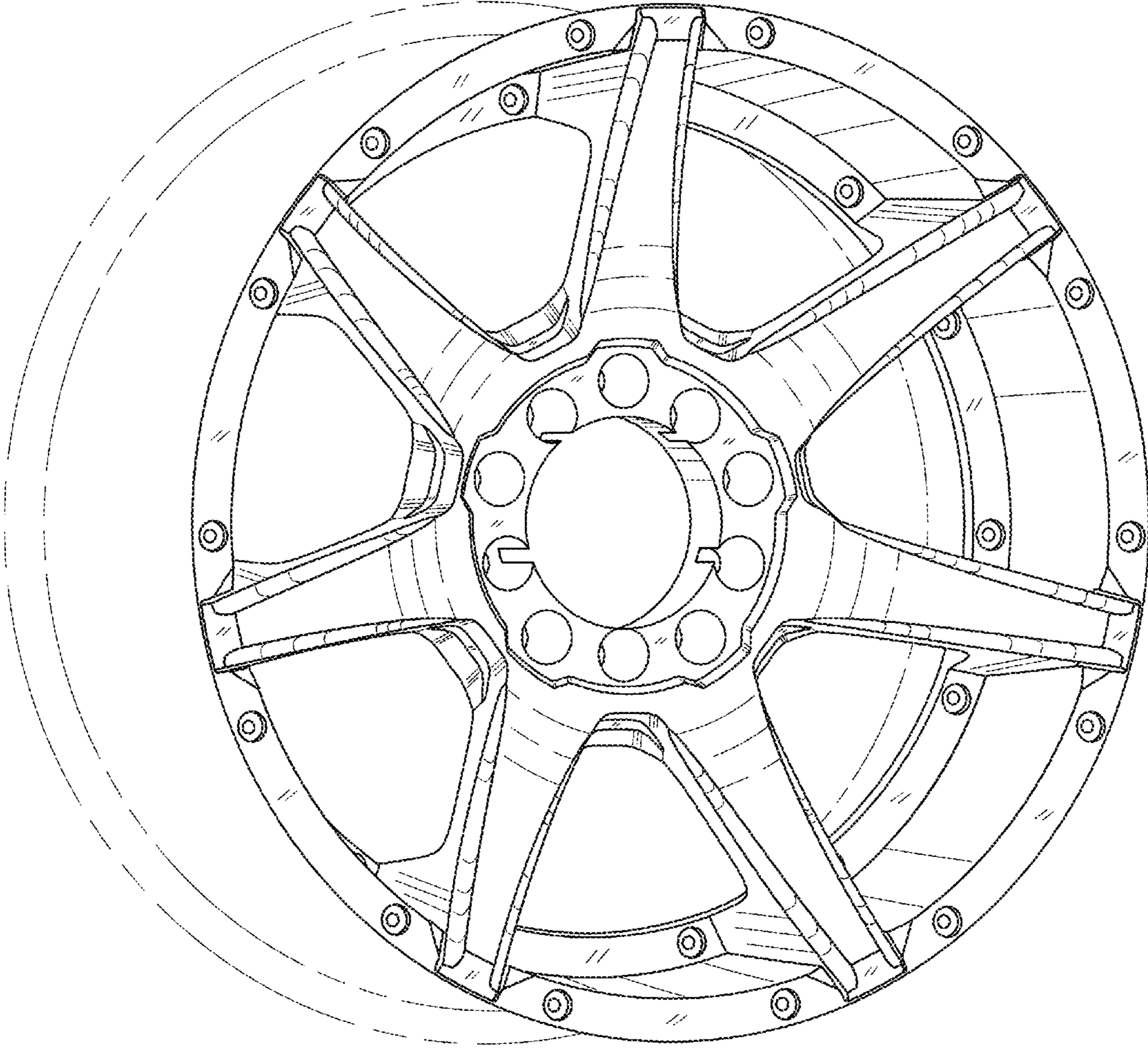


FIGURE 4

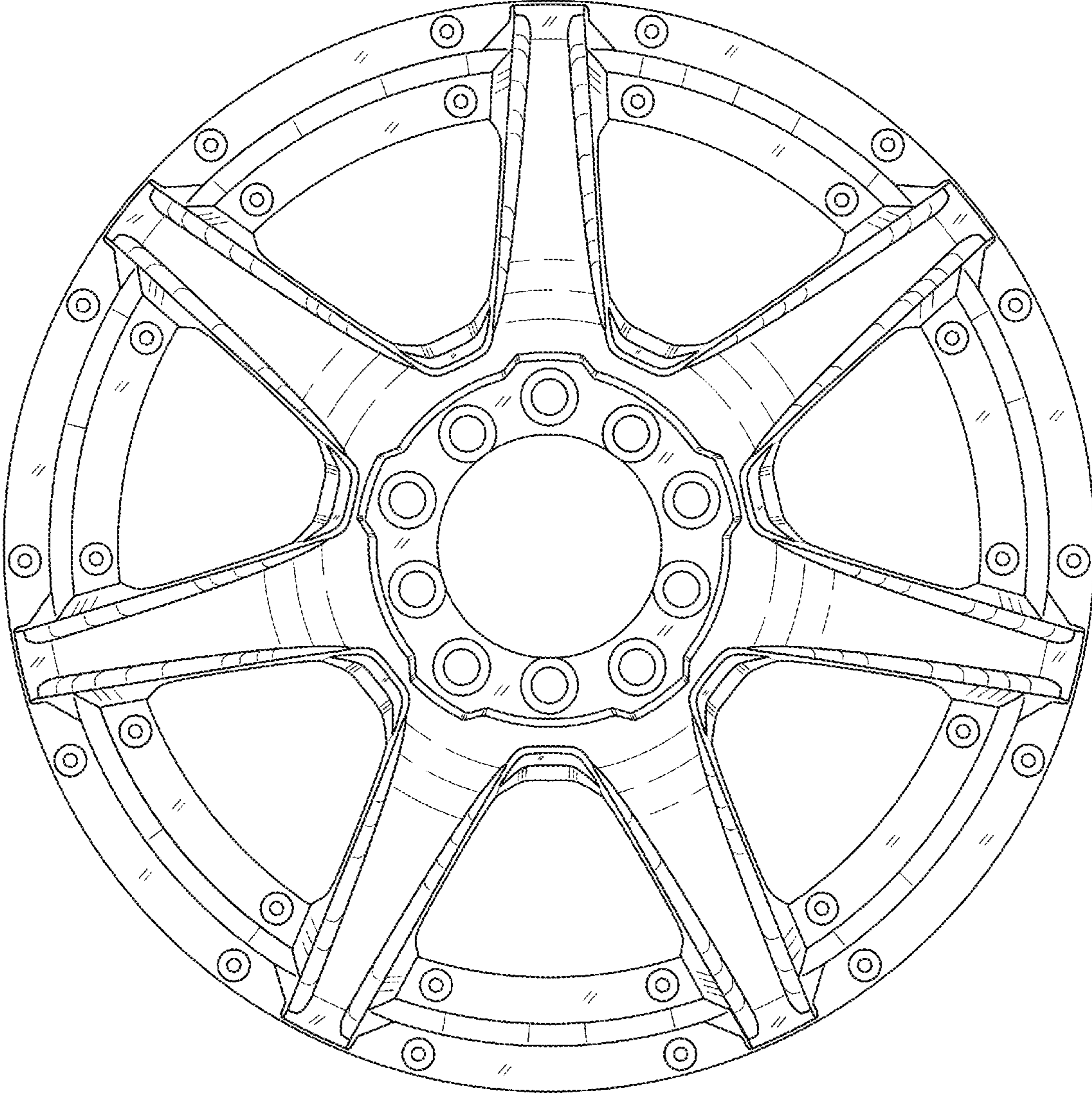


FIGURE 5

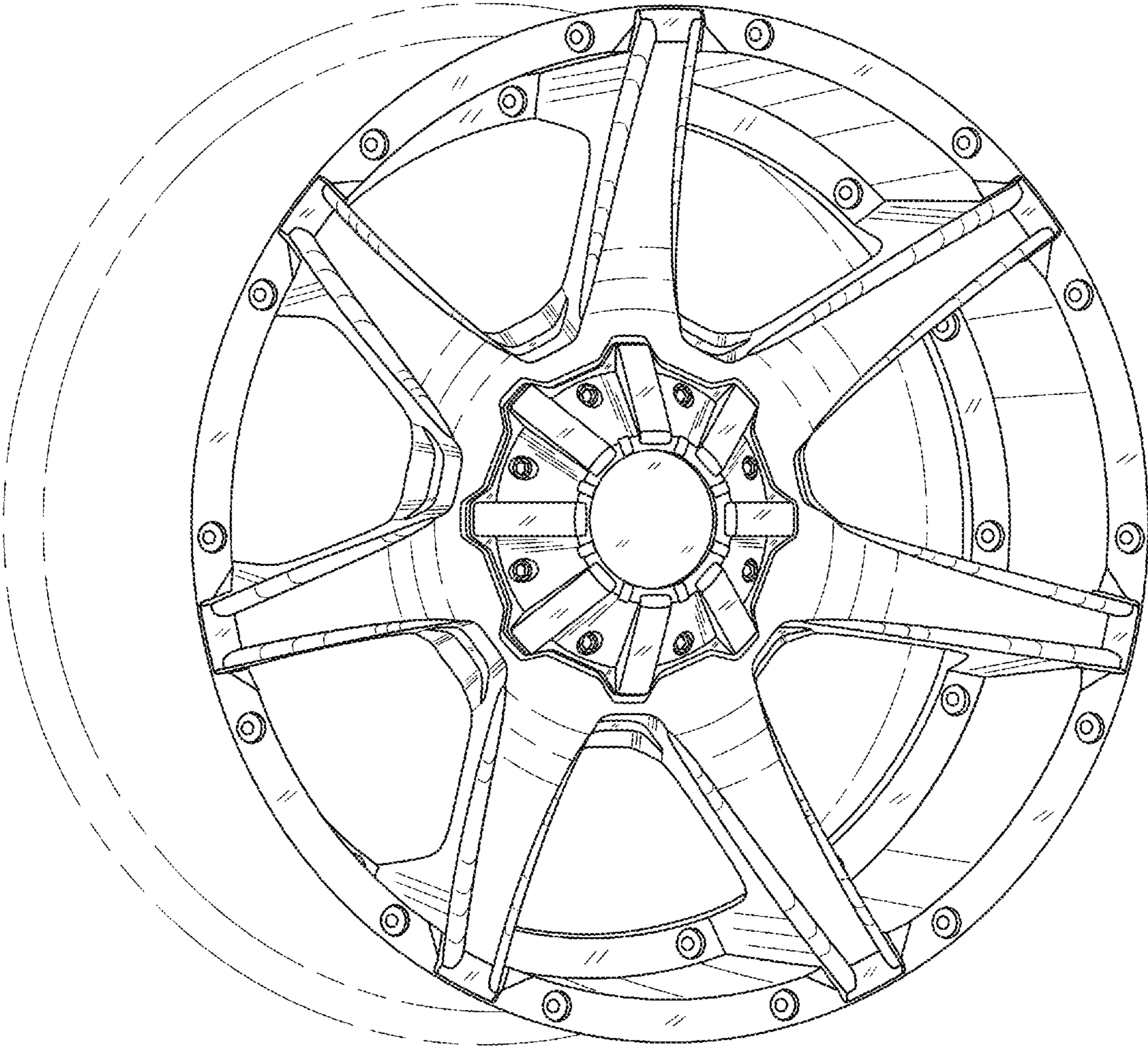


FIGURE 6

