



US00D751015S

(12) **United States Design Patent**
Mahoney et al.

(10) **Patent No.:** **US D751,015 S**
(45) **Date of Patent:** **** Mar. 8, 2016**

(54) **VEHICLE WHEEL**

(71) Applicant: **Ford Motor Company**, Dearborn, MI (US)

(72) Inventors: **David Mahoney**, Orchard Lake, MI (US); **Jesse Diephuis**, West Bloomfield, MI (US)

(73) Assignee: **Ford Motor Company**, Dearborn, MI (US)

(**) Term: **14 Years**

(21) Appl. No.: **29/511,848**

(22) Filed: **Dec. 15, 2014**

(51) **LOC (10) Cl.** **12-16**

(52) **U.S. Cl.**
USPC **D12/209**

(58) **Field of Classification Search**
USPC D12/204–213
CPC B60B 7/00; B60B 7/02; B60B 7/04;
B60B 7/01; B60B 7/06; B60B 3/02; B60B 3/04;
B60B 3/06; B60B 3/10; B60B 1/00;
B60B 1/08; B60B 1/10; B60B 1/12
See application file for complete search history.

(56) **References Cited**

U.S. PATENT DOCUMENTS

D409,552 S * 5/1999 Chung D12/211
D419,945 S * 2/2000 Hartanto D12/211
D456,333 S * 4/2002 Pollmann D12/211

D478,539 S * 8/2003 Brown D12/209
D489,033 S * 4/2004 Lee D12/211
D494,917 S * 8/2004 Pollmann D12/211
D504,380 S * 4/2005 Kushartanto D12/209
D513,727 S * 1/2006 Gallert D12/211
D566,642 S * 4/2008 Scheu D12/211
D568,800 S * 5/2008 Huet D12/211
D620,870 S * 8/2010 Powell D12/211
D624,862 S * 10/2010 Zhao D12/209
D635,499 S * 4/2011 Nissl D12/211
D638,768 S * 5/2011 Nissl D12/211
D670,636 S * 11/2012 Juergens D12/211
D671,476 S * 11/2012 Pinel D12/209
D695,198 S * 12/2013 Juergens D12/211
D706,694 S * 6/2014 Wheel D12/209
D710,287 S * 8/2014 Ishii D12/209
D710,779 S * 8/2014 Zhang D12/209
D720,274 S * 12/2014 Mielke D12/211
D727,234 S * 4/2015 Caswell D12/211
D727,823 S * 4/2015 Rueckheim D12/209
D730,800 S * 6/2015 Behmer D12/211
D733,633 S * 7/2015 Gardavsky D12/211
D734,237 S * 7/2015 Juergens D12/211

* cited by examiner

Primary Examiner — Stacia Cadmus

(74) *Attorney, Agent, or Firm* — Damian Porcari

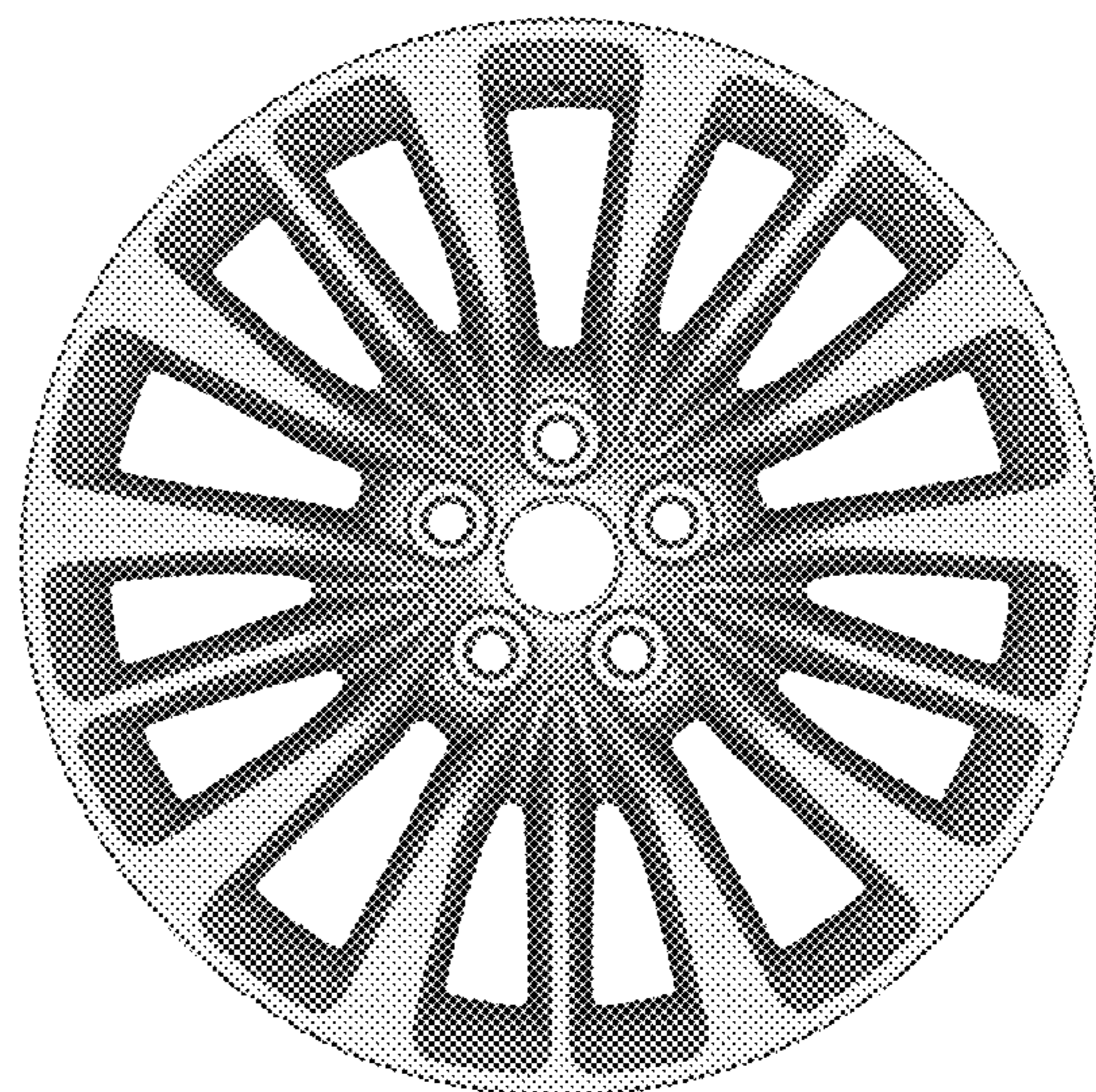
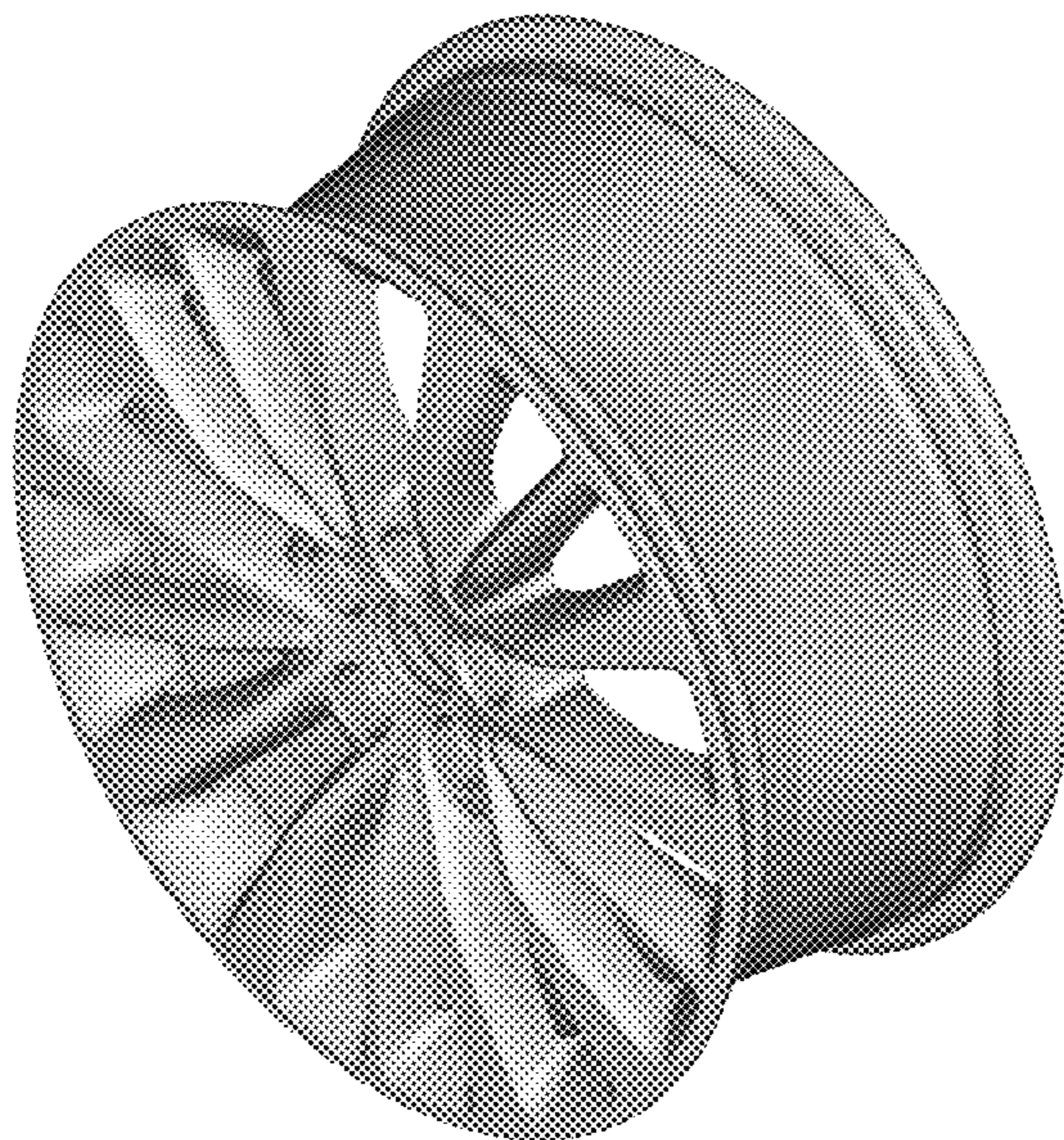
(57) **CLAIM**

The ornamental design for a vehicle wheel, as shown and described.

DESCRIPTION

FIG. 1 is a perspective view of a vehicle wheel; and, FIG. 2 is a front view thereof.

1 Claim, 2 Drawing Sheets



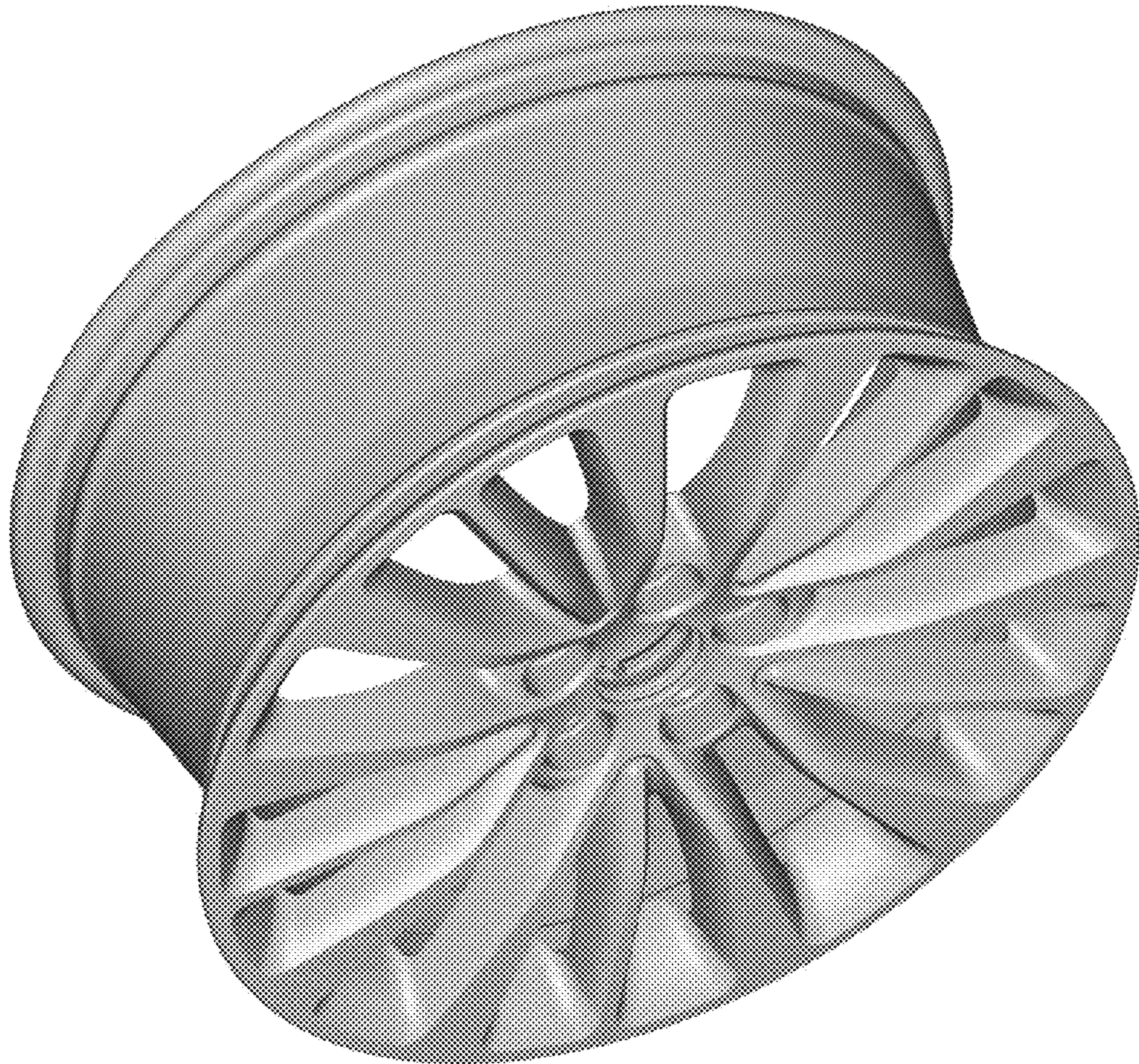


Figure 1

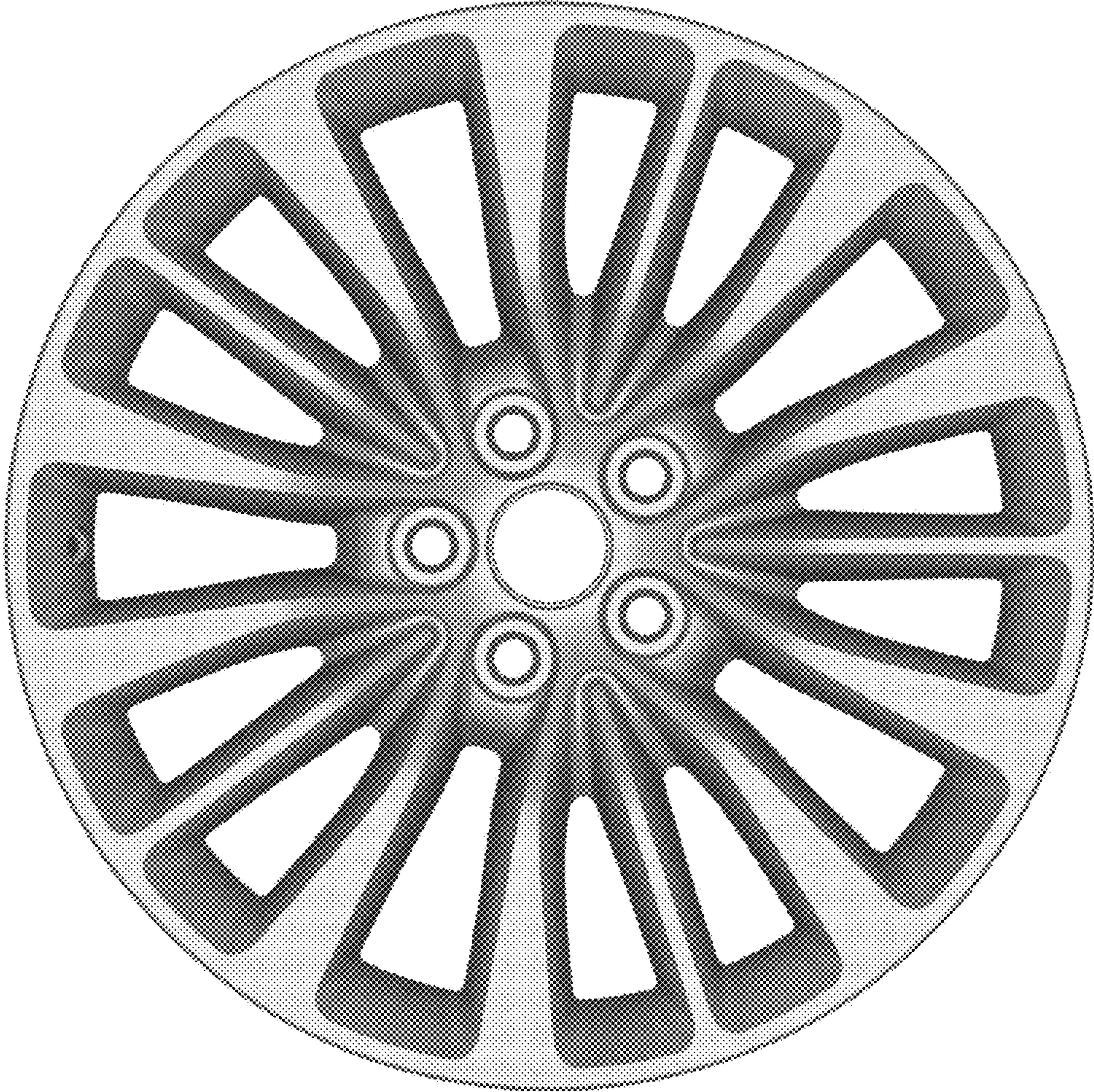


Figure 2