



US00D751014S

(12) **United States Design Patent**
Wolff et al.

(10) **Patent No.:** **US D751,014 S**
(45) **Date of Patent:** **** Mar. 8, 2016**

(54) **VEHICLE LIFTGATE**

(71) Applicant: **Ford Motor Company**, Dearborn, MI (US)

(72) Inventors: **Max Wolff**, Birmingham, MI (US);
Andrea Di Buduo, Birmingham, MI (US); **John Caswell**, Grosse Pointe, MI (US)

(73) Assignee: **Ford Motor Company**, Dearborn, MI (US)

(**) Term: **14 Years**

(21) Appl. No.: **29/511,833**

(22) Filed: **Dec. 15, 2014**

(51) **LOC (10) Cl.** **12-16**

(52) **U.S. Cl.**
USPC **D12/196**

(58) **Field of Classification Search**
USPC D12/196, 90-92, 86; 296/181.1, 181.5,
296/146.12, 146.7

CPC B62D 35/001; B62D 31/003; B62D 24/02;
B62D 25/08; B62D 33/00; B62D 25/06;
B60J 5/0416

See application file for complete search history.

(56) **References Cited**

U.S. PATENT DOCUMENTS

6,019,418 A * 2/2000 Emerling B60J 5/0416
296/146.7
D501,167 S * 1/2005 Otto D12/196
7,011,357 B2 * 3/2006 Seksaria B60J 1/1884

296/146.12
D540,234 S * 4/2007 Fujimaki D12/196
D558,658 S * 1/2008 Leclercq D12/196
D580,330 S * 11/2008 Gueler D12/196
D582,824 S * 12/2008 Kobayashi D12/196
D600,616 S * 9/2009 Mattin D12/196
D647,835 S * 11/2011 Sowa D12/196
D663,665 S * 7/2012 Hakamata D12/196
D681,529 S * 5/2013 Minami D12/196
D695,180 S * 12/2013 Hildebrand D12/196
D706,191 S * 6/2014 Choi D12/196
D718,695 S * 12/2014 Galante D12/196
D726,615 S * 4/2015 Wolff D12/196
D736,128 S * 8/2015 Blanski D12/196

* cited by examiner

Primary Examiner — Melody Brown

(74) *Attorney, Agent, or Firm* — Damian Porcari

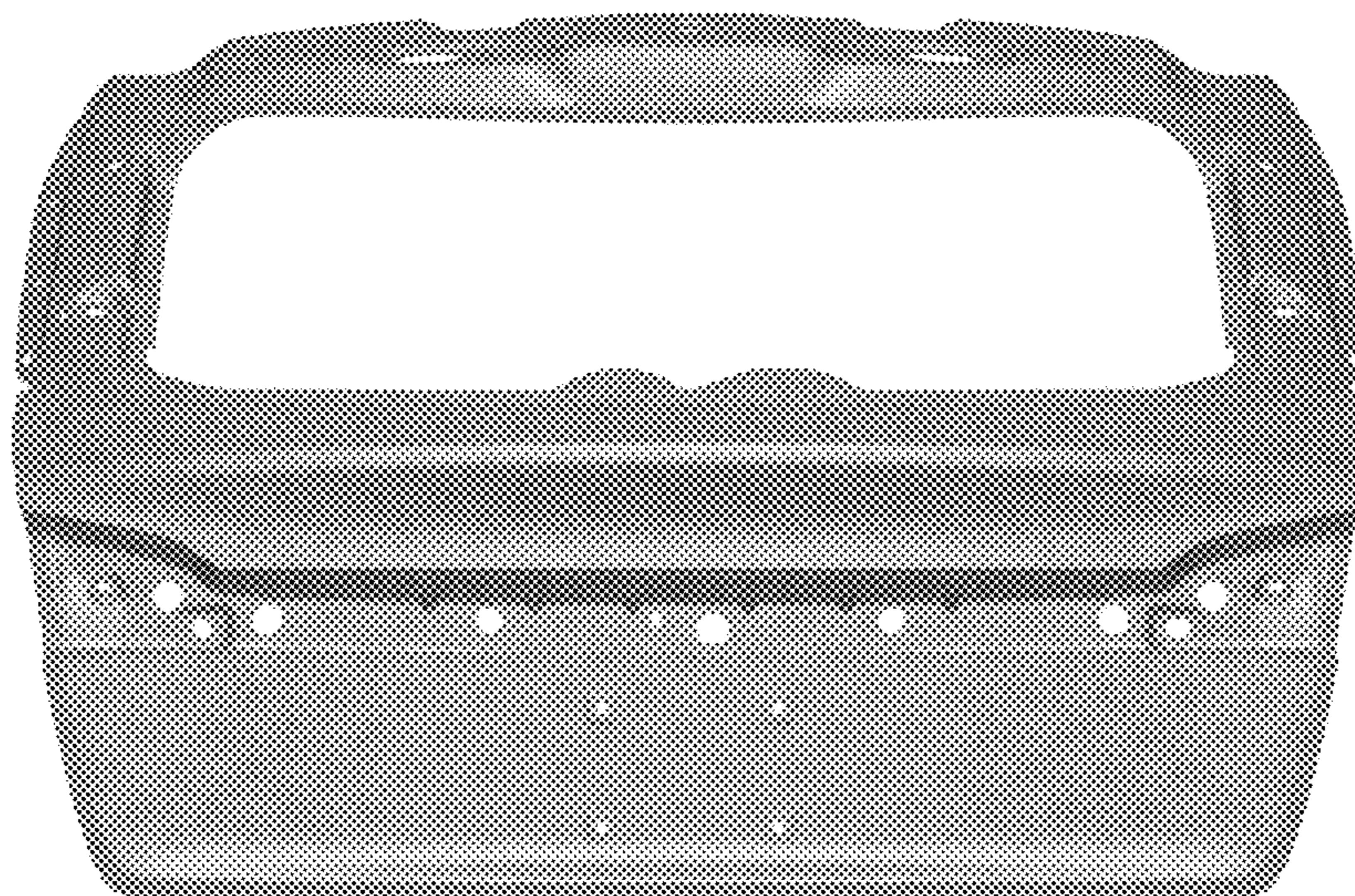
(57) **CLAIM**

The ornamental design for a vehicle liftgate, as shown and described.

DESCRIPTION

FIG. 1 is a top left perspective view of a vehicle liftgate;
FIG. 2 is a top right perspective view thereof;
FIG. 3 is a top rear perspective view thereof;
FIG. 4 is a front elevational view thereof;
FIG. 5 is a rear elevational view thereof;
FIG. 6 is a left side elevational view thereof;
FIG. 7 is a right side elevational view thereof;
FIG. 8 is a top plan view thereof; and,
FIG. 9 is a bottom plan view thereof.

1 Claim, 9 Drawing Sheets



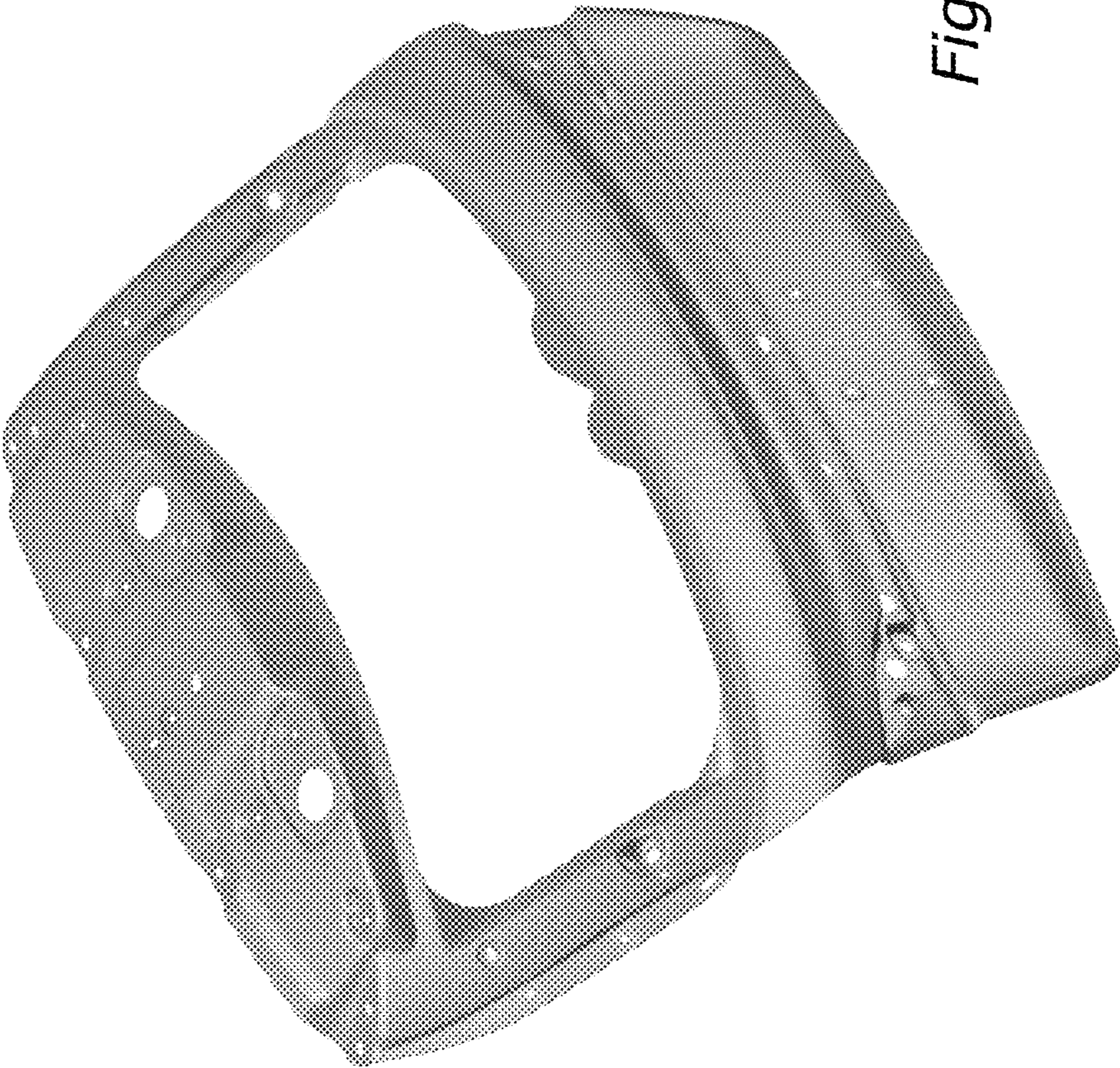


Figure 1

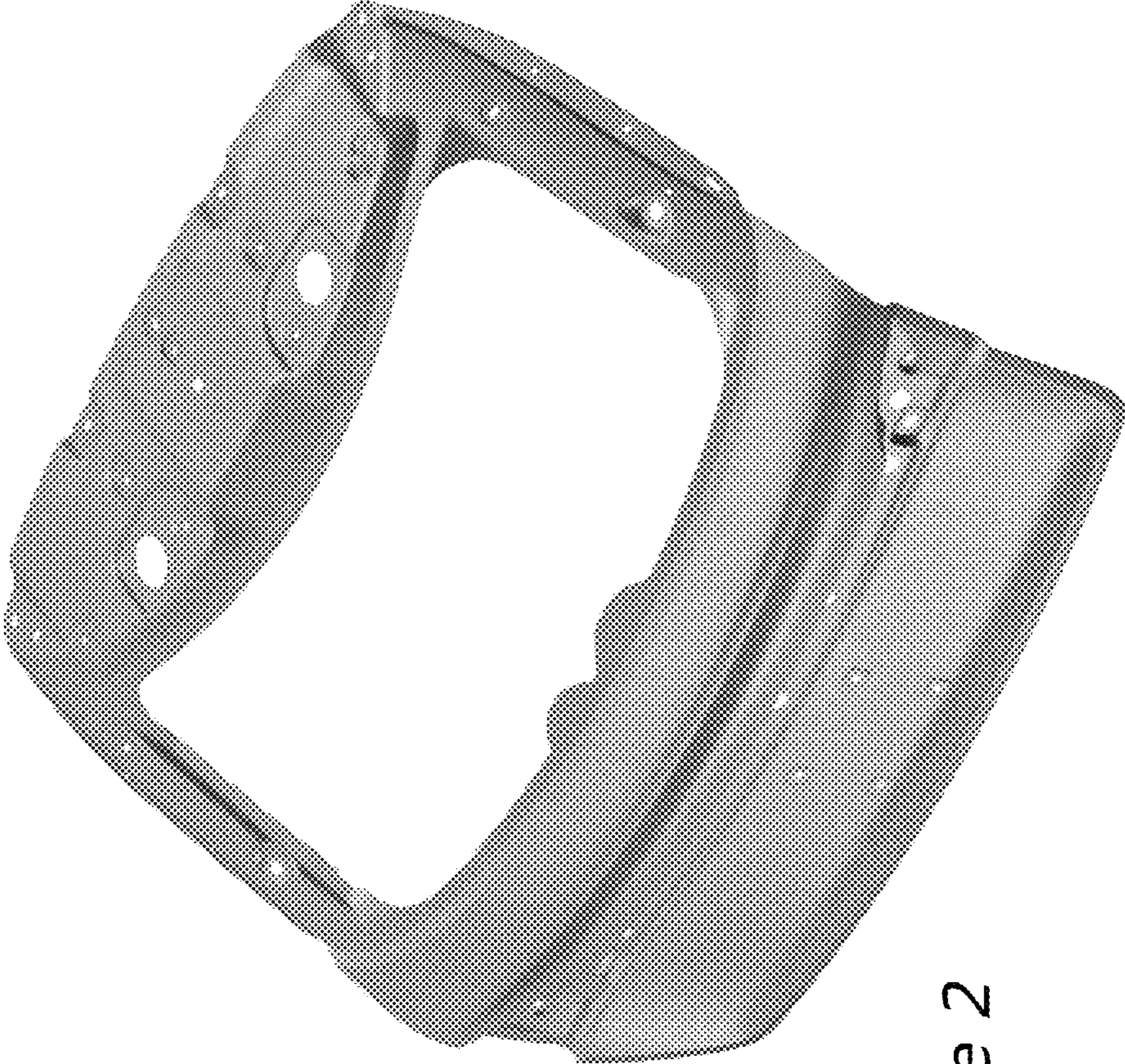
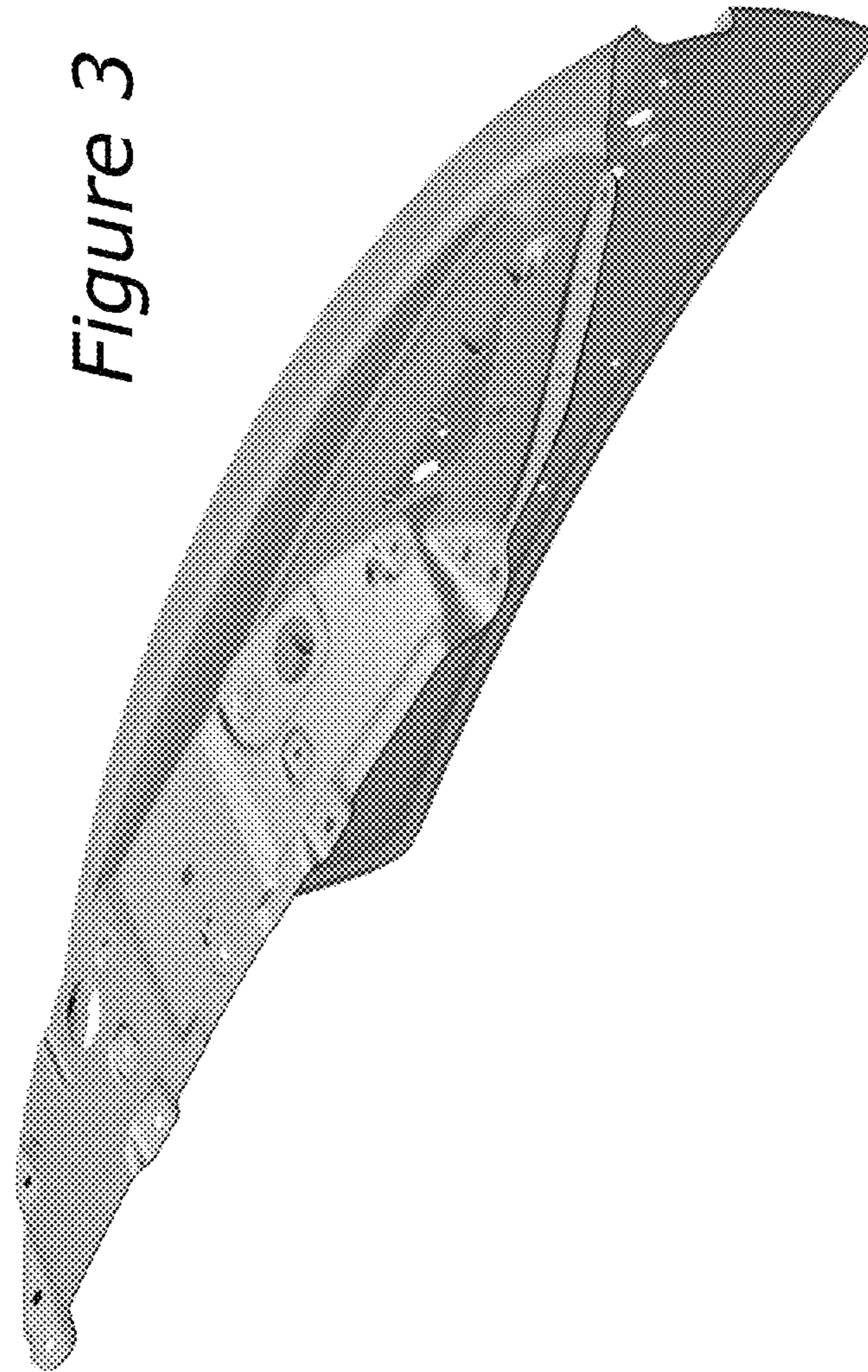


Figure 2

Figure 3



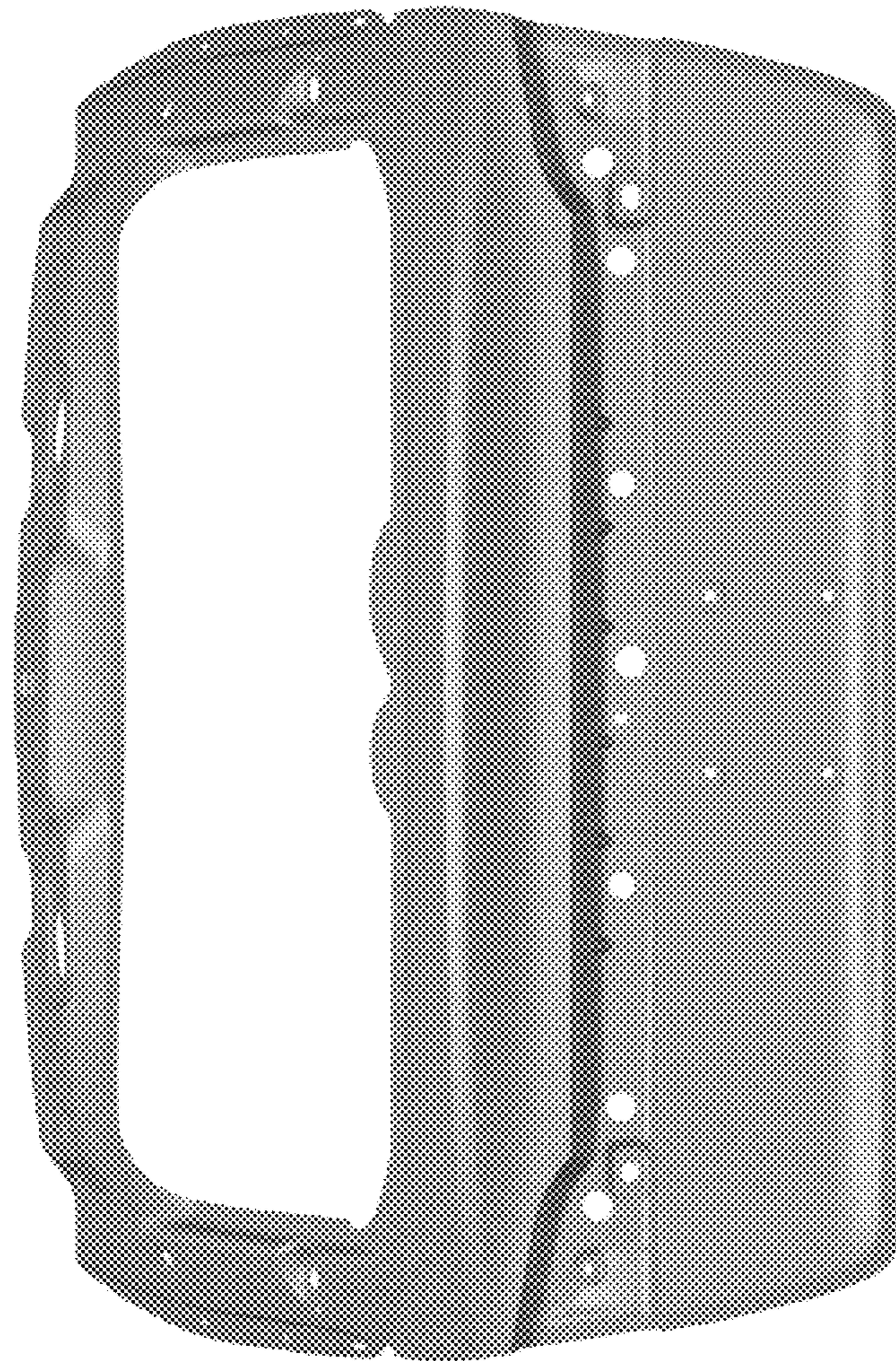


Figure 4

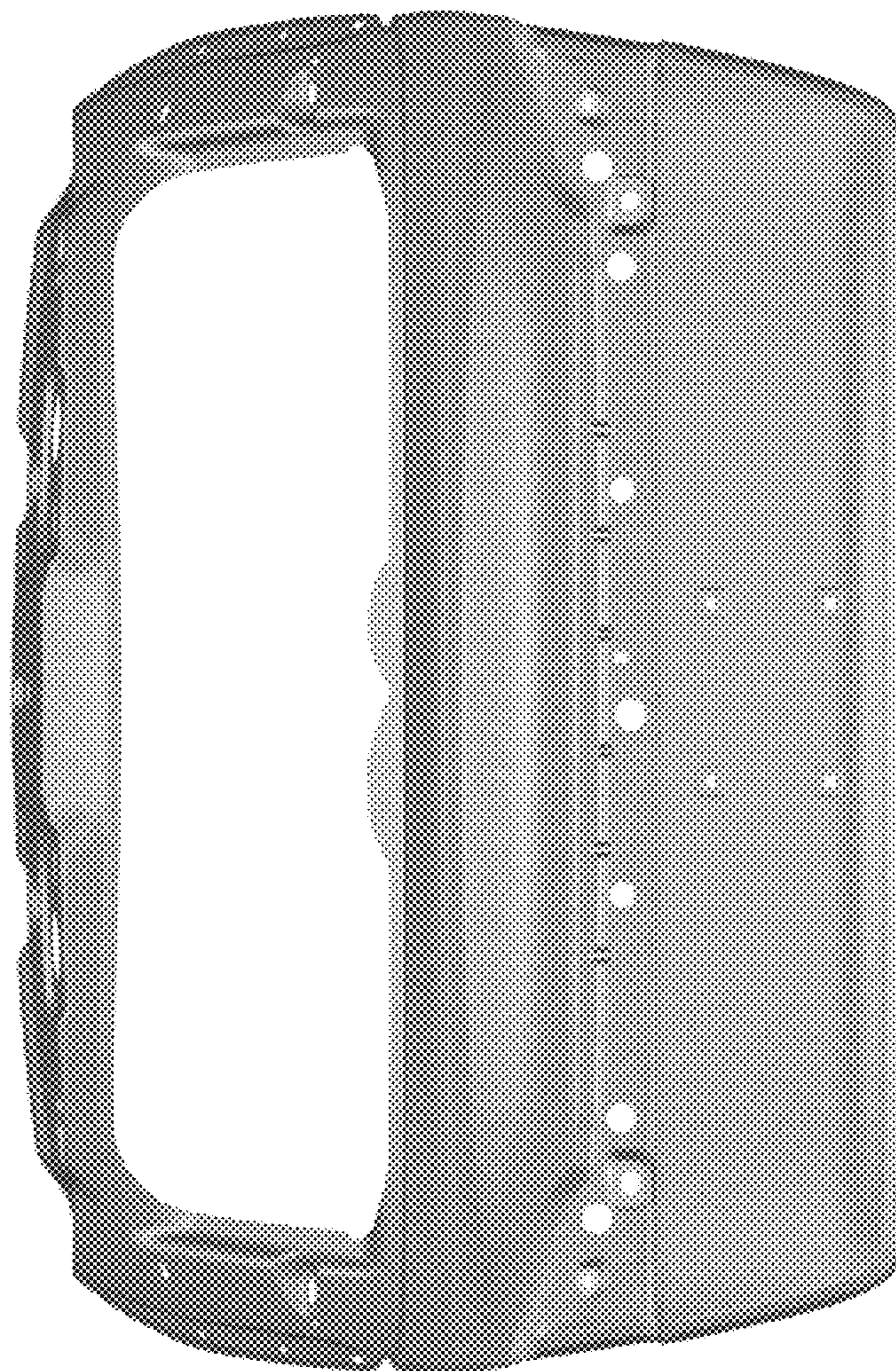


Figure 5

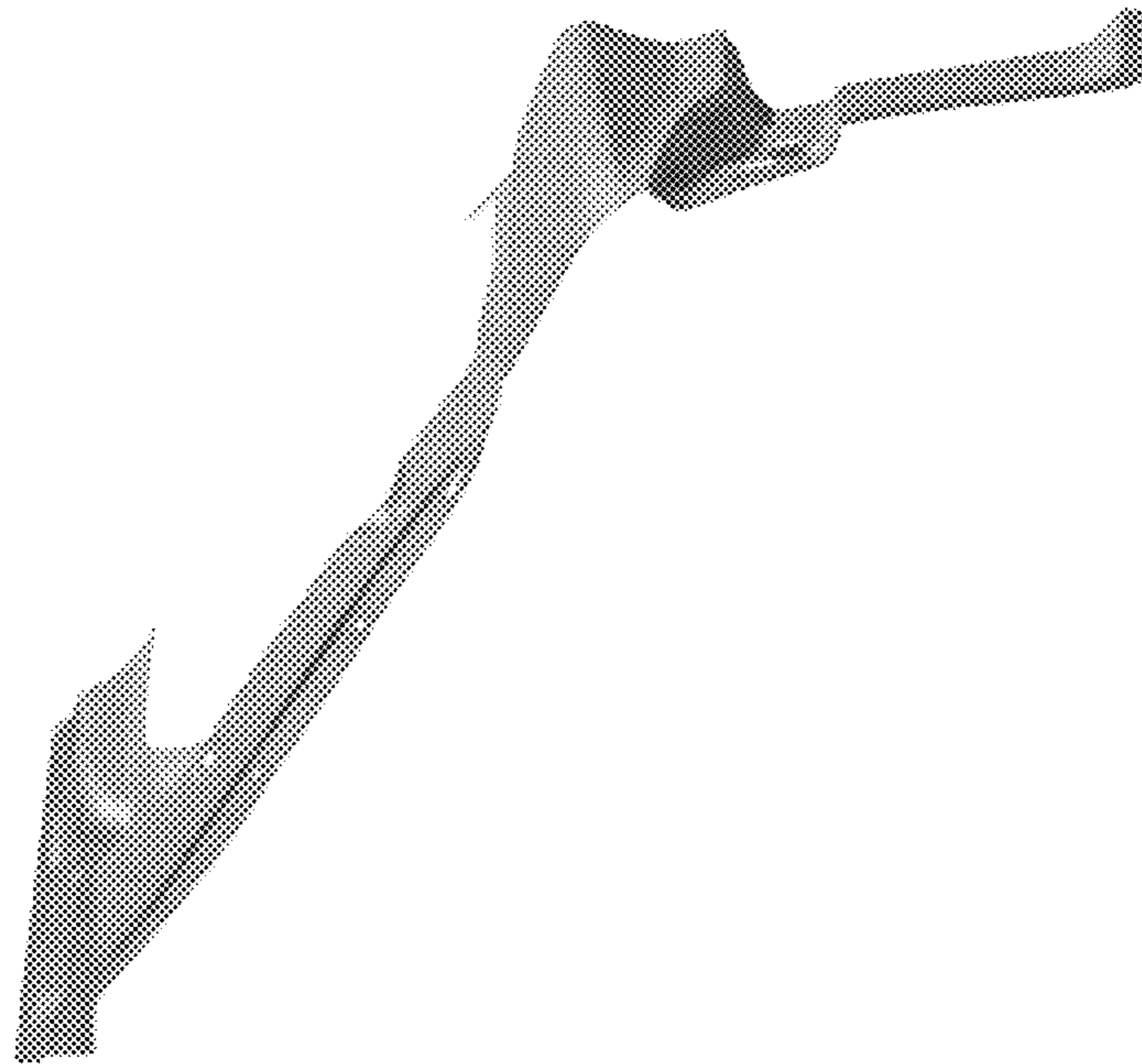


Figure 6

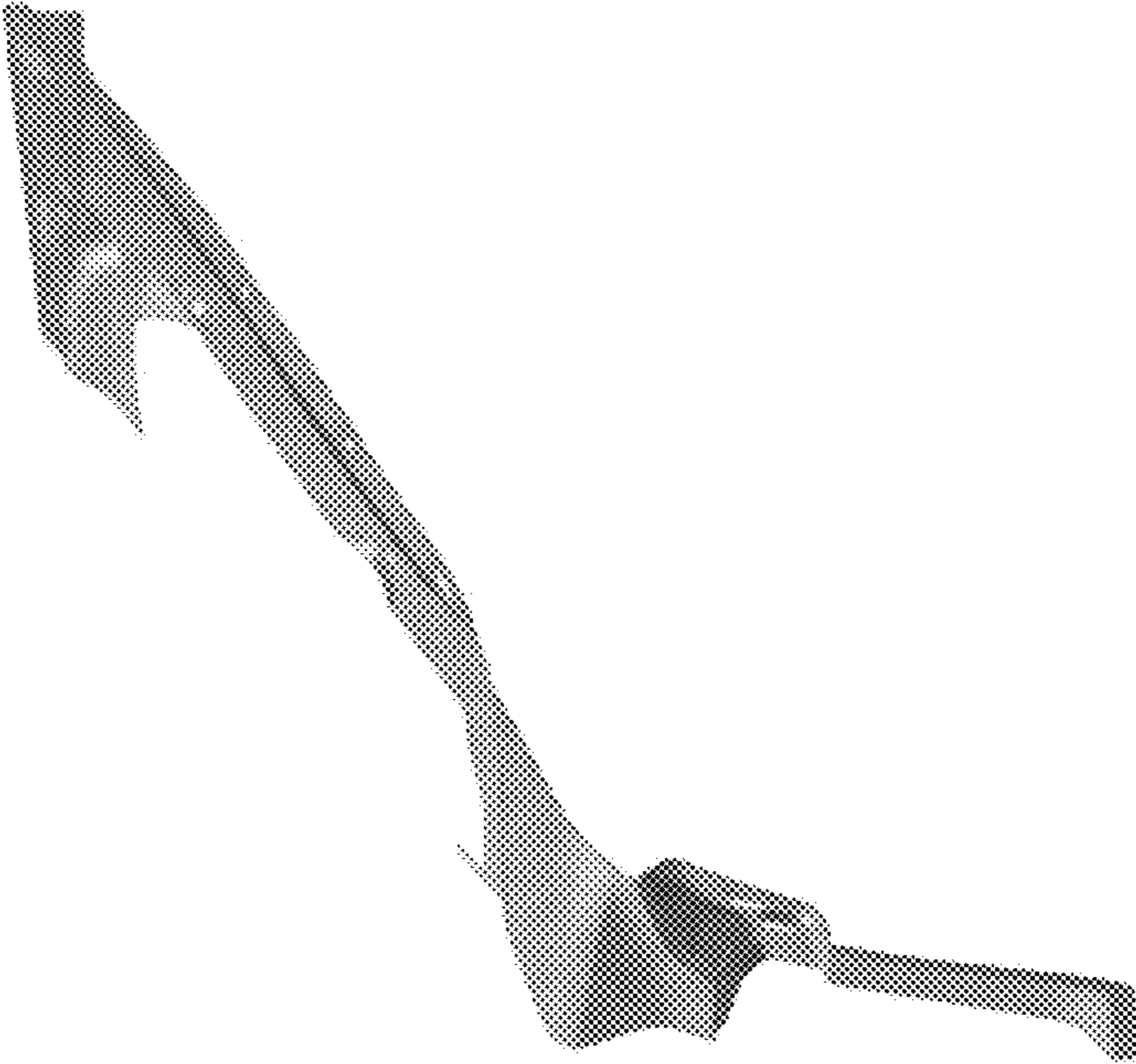


Figure 7

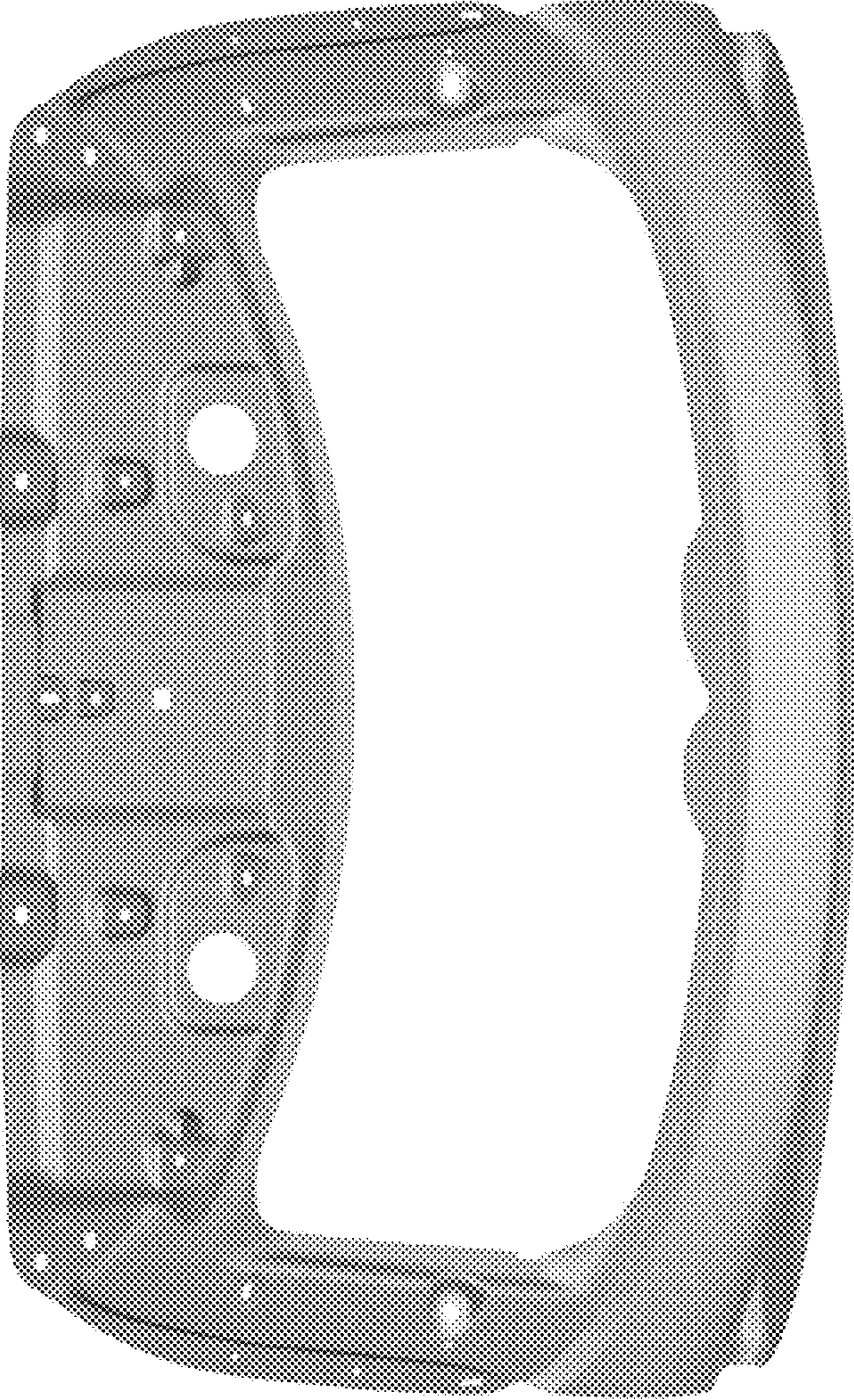


Figure 8

Figure 9

