



US00D751012S

(12) **United States Design Patent**
Hare

(10) **Patent No.:** **US D751,012 S**
(45) **Date of Patent:** **** Mar. 8, 2016**

- (54) **VEHICLE REAR BUMPER WITH UTILITY WELL**
- (71) Applicant: **Addictive Desert Designs, LLC**, Mesa, AZ (US)
- (72) Inventor: **Jared A. Hare**, Mesa, AZ (US)
- (73) Assignee: **Addictive Desert Designs LLC**, Mesa, AZ (US)
- (**) Term: **14 Years**
- (21) Appl. No.: **29/511,143**
- (22) Filed: **Dec. 8, 2014**
- (51) **LOC (10) Cl.** **12-16**
- (52) **U.S. Cl.**
USPC **D12/171; D12/169**
- (58) **Field of Classification Search**
USPC D12/169, 216, 90-92, 86, 171, 196,
D12/163, 170, 72; 293/102, 113, 115, 117,
293/120, 121, 144; 296/180.1, 180.2
CPC B60R 19/02; B60R 19/04; B60R 19/52;
B60R 2019/522; B62D 25/08
See application file for complete search history.

- (56) **References Cited**
U.S. PATENT DOCUMENTS

D454,098 S *	3/2002	McGuiness	D12/171
D454,099 S *	3/2002	McGuiness	D12/171
D454,525 S *	3/2002	McGuiness	D12/171
D454,817 S *	3/2002	McGuiness	D12/171
D455,684 S *	4/2002	McGuiness	D12/171
D455,988 S *	4/2002	McGuiness	D12/171
D737,181 S *	8/2015	Smith	D12/169
D737,739 S *	9/2015	Hanson	D12/169

* cited by examiner

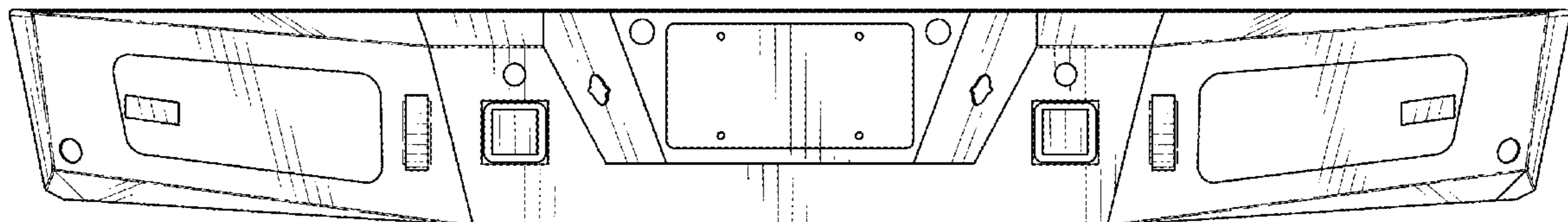
Primary Examiner — Melody N Brown
(74) *Attorney, Agent, or Firm* — Venjuris P.C.

(57) **CLAIM**
The ornamental design for a vehicle rear bumper with utility well, as shown and described.

DESCRIPTION

FIG. 1 is a perspective view of a vehicle rear bumper with utility well embodying the new design;
FIG. 2 is a front view;
FIG. 3 is left side view;
FIG. 4 is a right side view;
FIG. 5 is a top view;
FIG. 6 is a bottom view; and,
FIG. 7 is a right perspective view showing an alternate configuration.

1 Claim, 5 Drawing Sheets



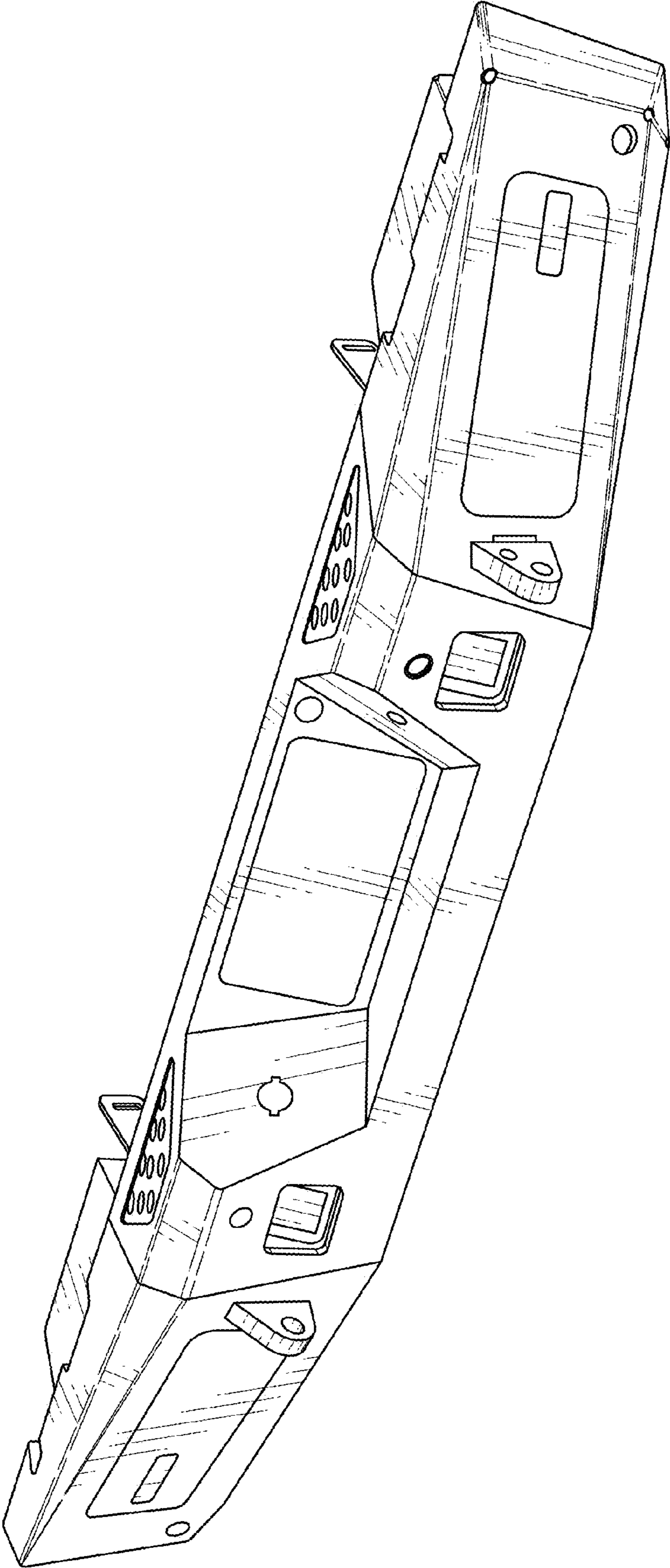


FIG. 1

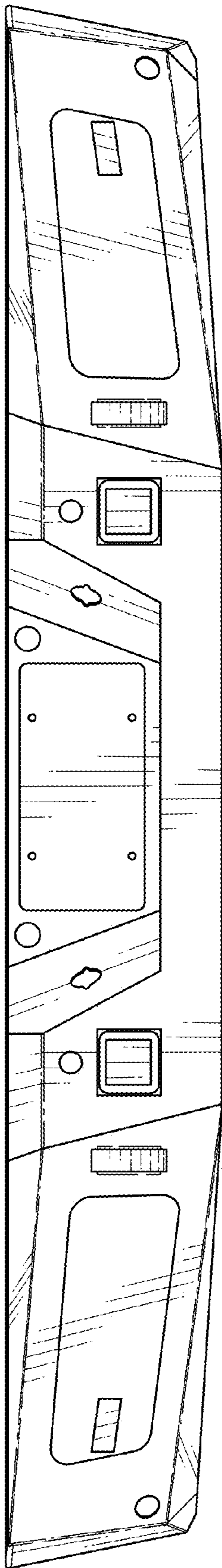


FIG. 2

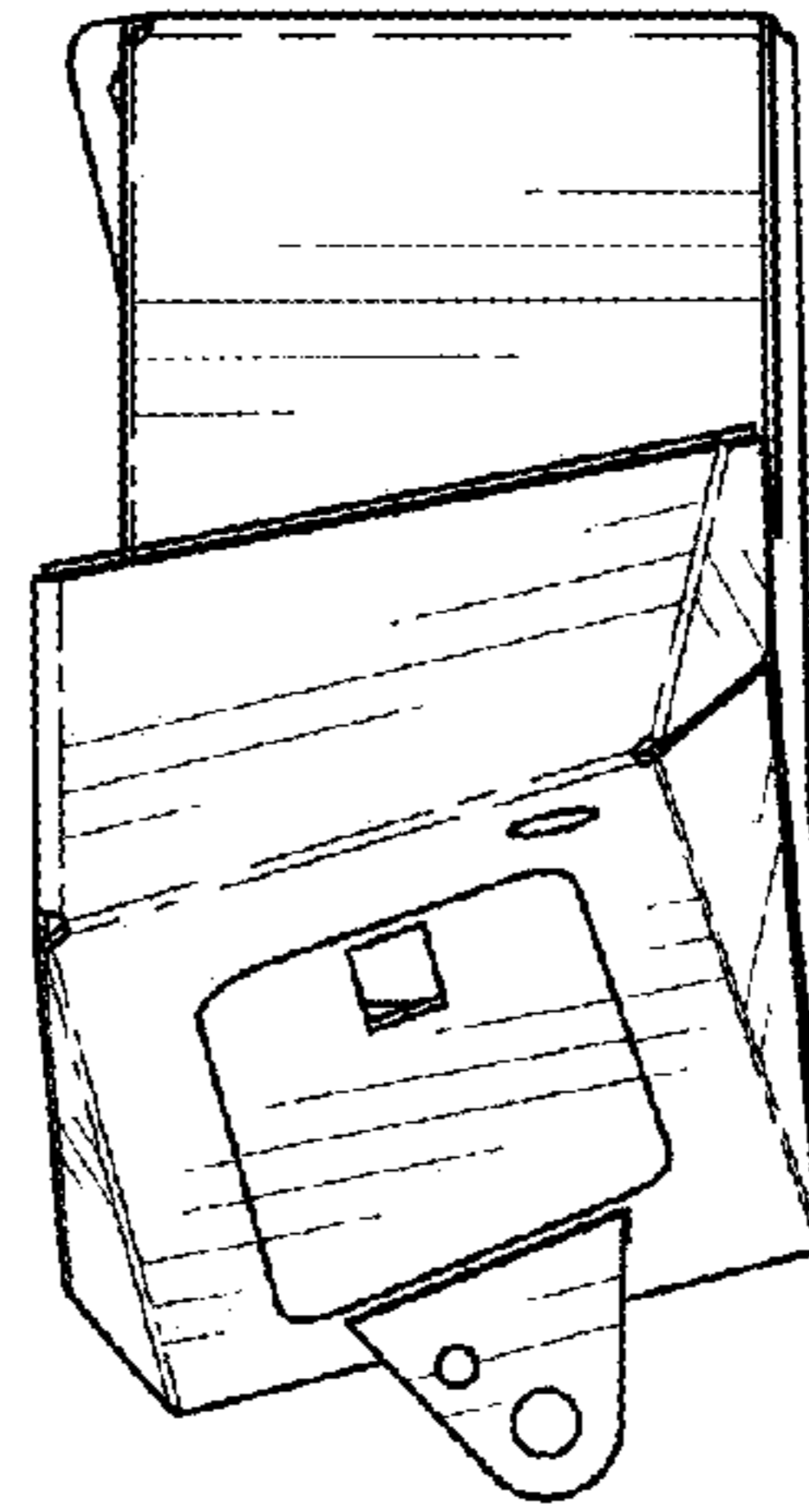


FIG. 4

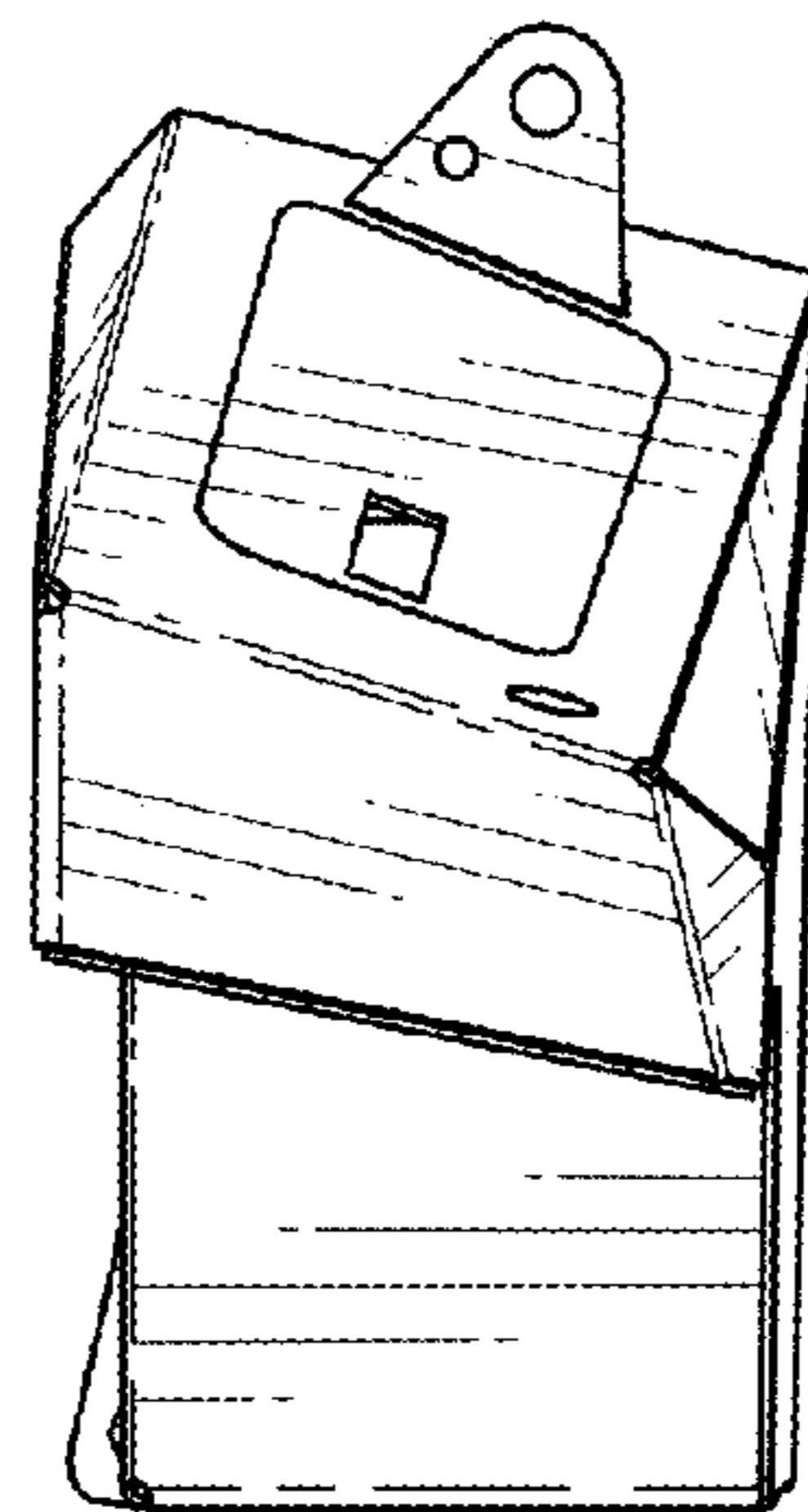


FIG. 3

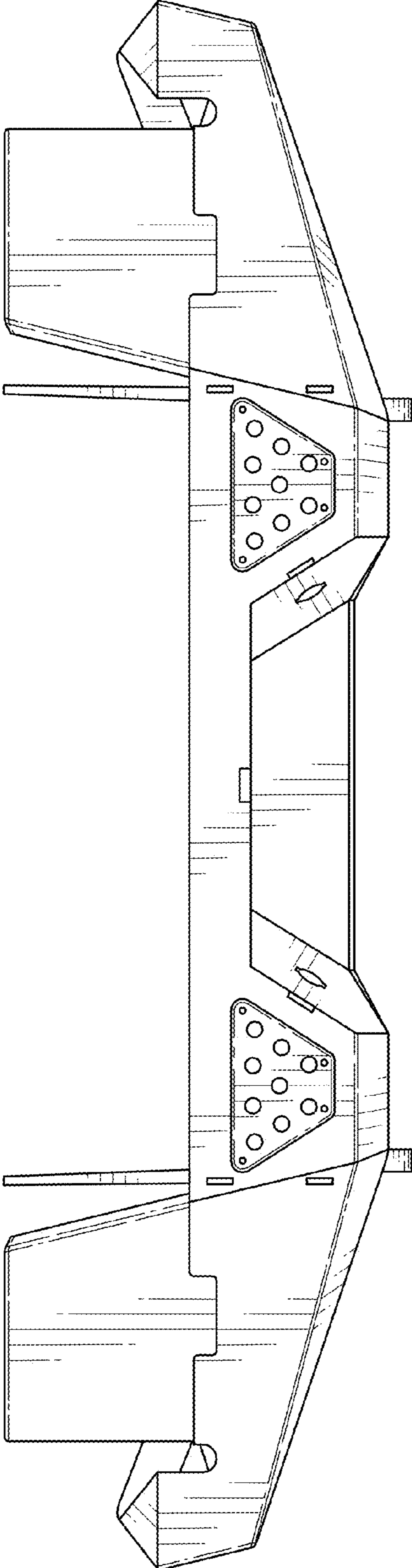


FIG. 5

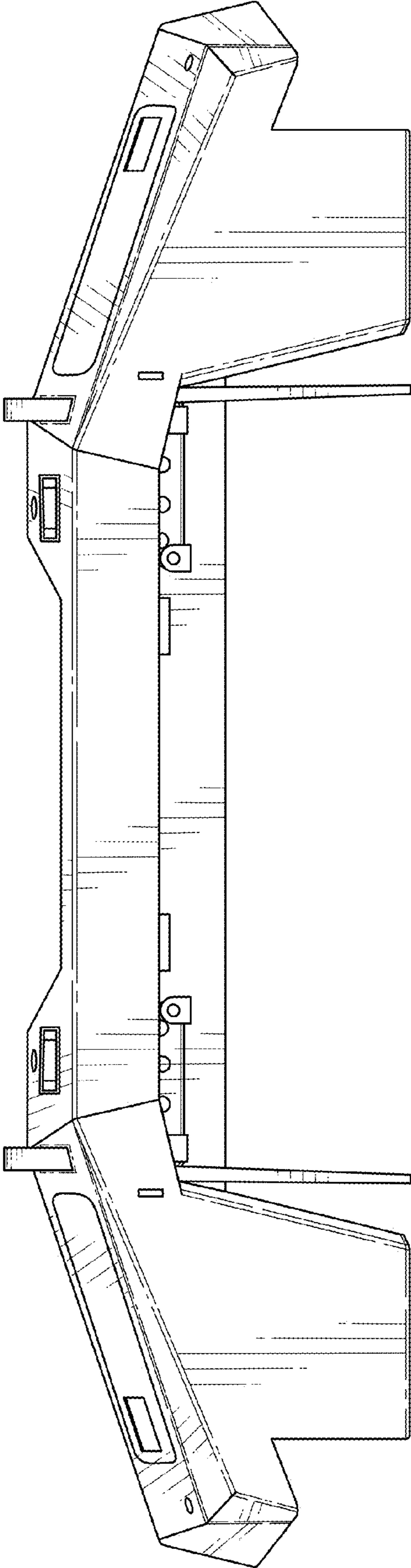


FIG. 6

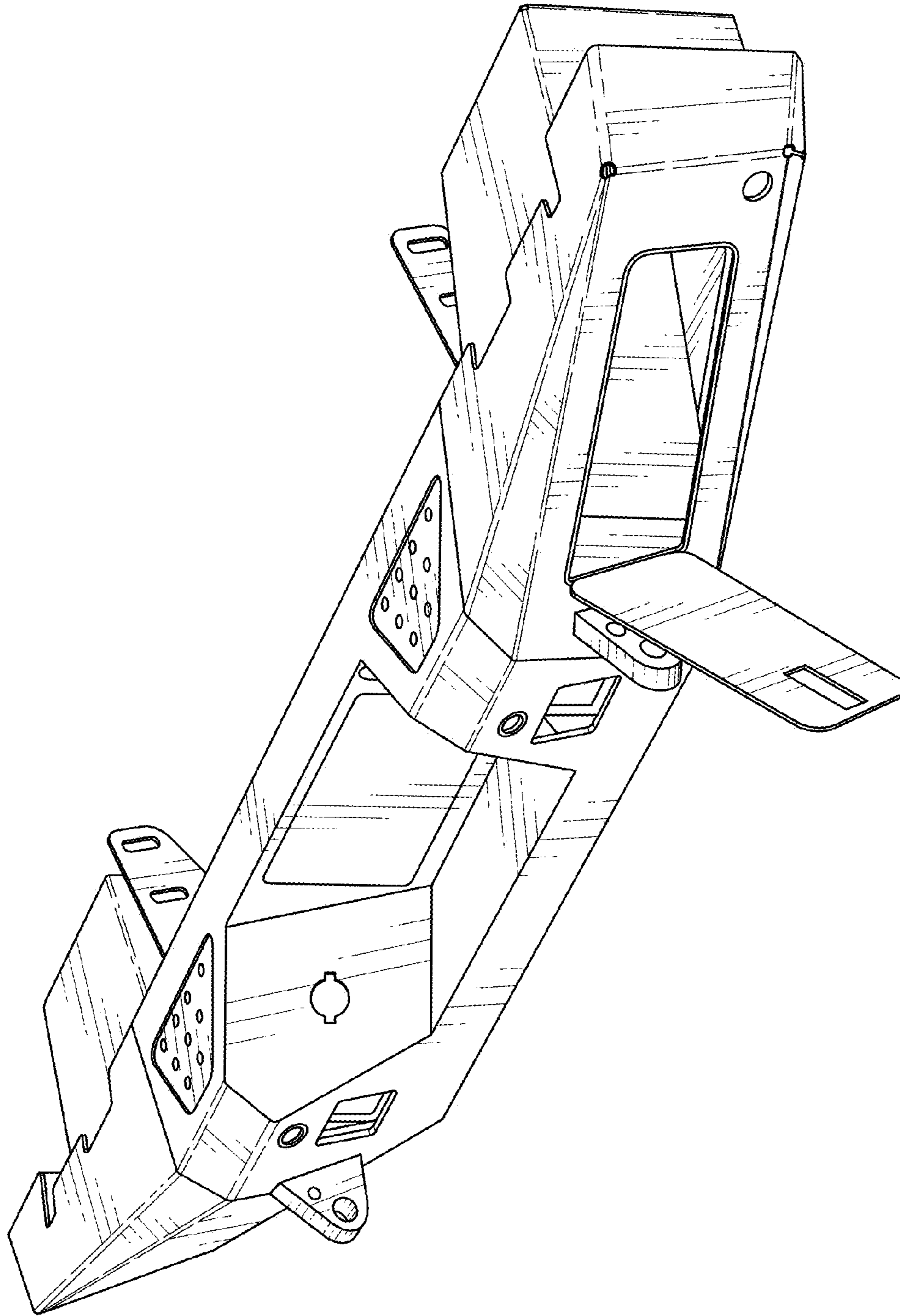


FIG. 7