



US00D751010S

(12) **United States Design Patent**  
**Behmer et al.**

(10) **Patent No.:** **US D751,010 S**  
(45) **Date of Patent:** **\*\* Mar. 8, 2016**

(54) **VEHICLE REAR LOWER BUMPER COVER INSERT**

(71) Applicant: **Ford Motor Company**, Dearborn, MI (US)

(72) Inventors: **Darrell Behmer**, Novi, MI (US); **Henry Bernardo**, Southfield, MI (US); **Damon Depeyster**, Northville, MI (US)

(73) Assignee: **Ford Motor Company**, Dearborn, MI (US)

(\*\*) Term: **14 Years**

(21) Appl. No.: **29/508,885**

(22) Filed: **Nov. 12, 2014**

(51) **LOC (10) Cl.** ..... **12-16**

(52) **U.S. Cl.**  
USPC ..... **D12/169**

(58) **Field of Classification Search**  
USPC ..... D12/86, 90, 91, 92, 163, 164, 169, 171, D12/196, 216; 180/68.4, 68.6; 293/102, 293/112, 113, 115, 117, 120; 296/180.1, 296/180.2

CPC ..... B60R 19/02; B60R 19/18; B60R 19/24; B60R 19/56; B60R 2019/007; B62D 25/0845  
See application file for complete search history.

(56) **References Cited**

**U.S. PATENT DOCUMENTS**

- 6,435,298 B1 \* 8/2002 Mizuno ..... B62D 35/02 180/346
- D538,209 S \* 3/2007 Fujimaki ..... D12/169
- D543,920 S \* 6/2007 Lai ..... D12/196
- D545,732 S \* 7/2007 Truebsbach ..... D12/169
- D610,503 S 2/2010 Bucher et al.
- D610,504 S 2/2010 Bucher et al.
- D614,093 S \* 4/2010 Ectors ..... D12/169

- D623,994 S \* 9/2010 Miyazawa ..... D12/169
- D640,617 S \* 6/2011 Furst ..... D12/169
- D643,349 S \* 8/2011 Schell ..... D12/169
- D643,789 S \* 8/2011 Bauer ..... D12/169
- D671,047 S \* 11/2012 Davidson ..... D12/169
- D671,050 S \* 11/2012 Davidson ..... D12/169
- D671,051 S \* 11/2012 Davidson ..... D12/169
- D695,164 S \* 12/2013 Futschik ..... D12/169

**OTHER PUBLICATIONS**

Jason Udy. Spied: Refreshed 2016 Ford Explorer Loses Some Camo. Oct. 11, 2014 [online], [retrieved on Nov. 3, 2014] Retrieved from the Internet <URL: [http://wot.motortrend.com/1410\\_spied\\_refreshed\\_2016\\_ford\\_explorer\\_loses\\_some\\_camo.html](http://wot.motortrend.com/1410_spied_refreshed_2016_ford_explorer_loses_some_camo.html)>.  
2016 Ford Explorer SUV Review. [retrieved on Nov. 3, 2014] Retrieved from the Internet <URL: <http://www.edmunds.com/ford/explorer/2016/>>.

\* cited by examiner

*Primary Examiner* — Philip S Hyder

*Assistant Examiner* — Darlington Ly

(74) *Attorney, Agent, or Firm* — Damian Porcari

(57) **CLAIM**

The ornamental design for a vehicle rear lower bumper cover insert, as shown and described.

**DESCRIPTION**

FIG. 1 is a bottom left perspective view of a vehicle rear lower bumper cover insert;  
FIG. 2 is a bottom right perspective view thereof;  
FIG. 3 is a top rear perspective view thereof;  
FIG. 4 is a front elevational view thereof;  
FIG. 5 is a rear elevational view thereof;  
FIG. 6 is a left side elevational view thereof;  
FIG. 7 is a right side elevational view thereof;  
FIG. 8 is a top plan view thereof; and,  
FIG. 9 is a bottom plan view thereof.

**1 Claim, 9 Drawing Sheets**

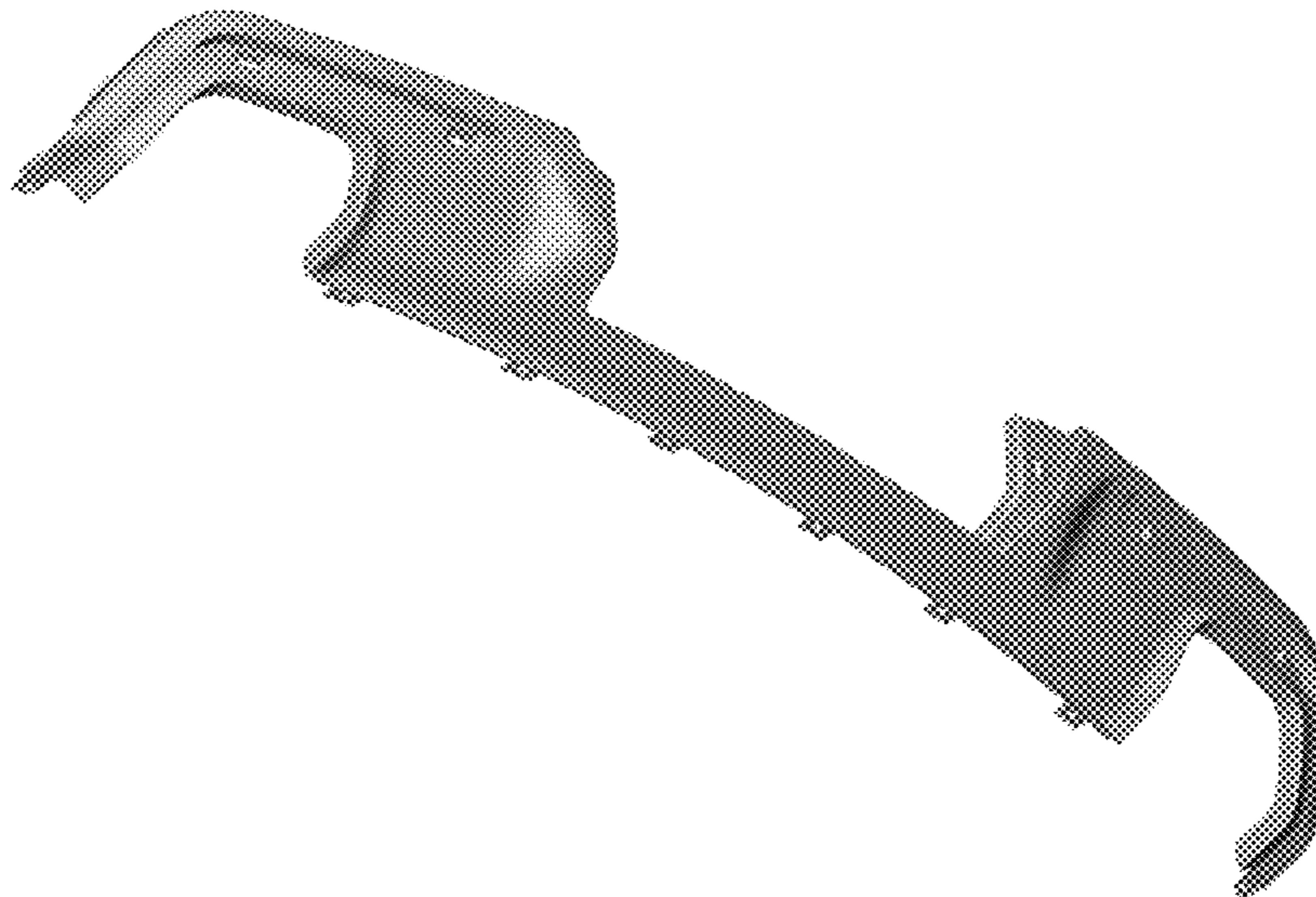


Figure 1



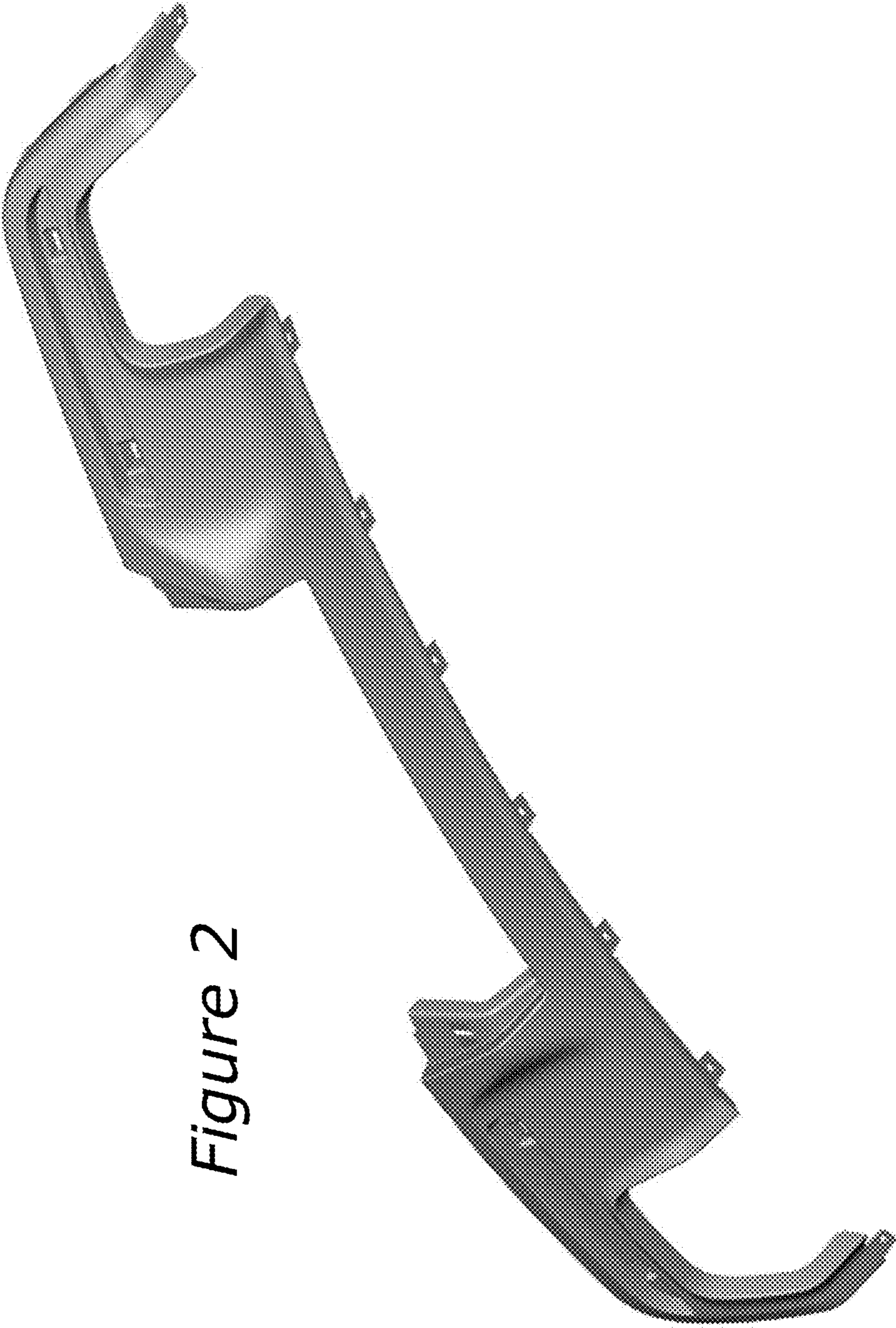
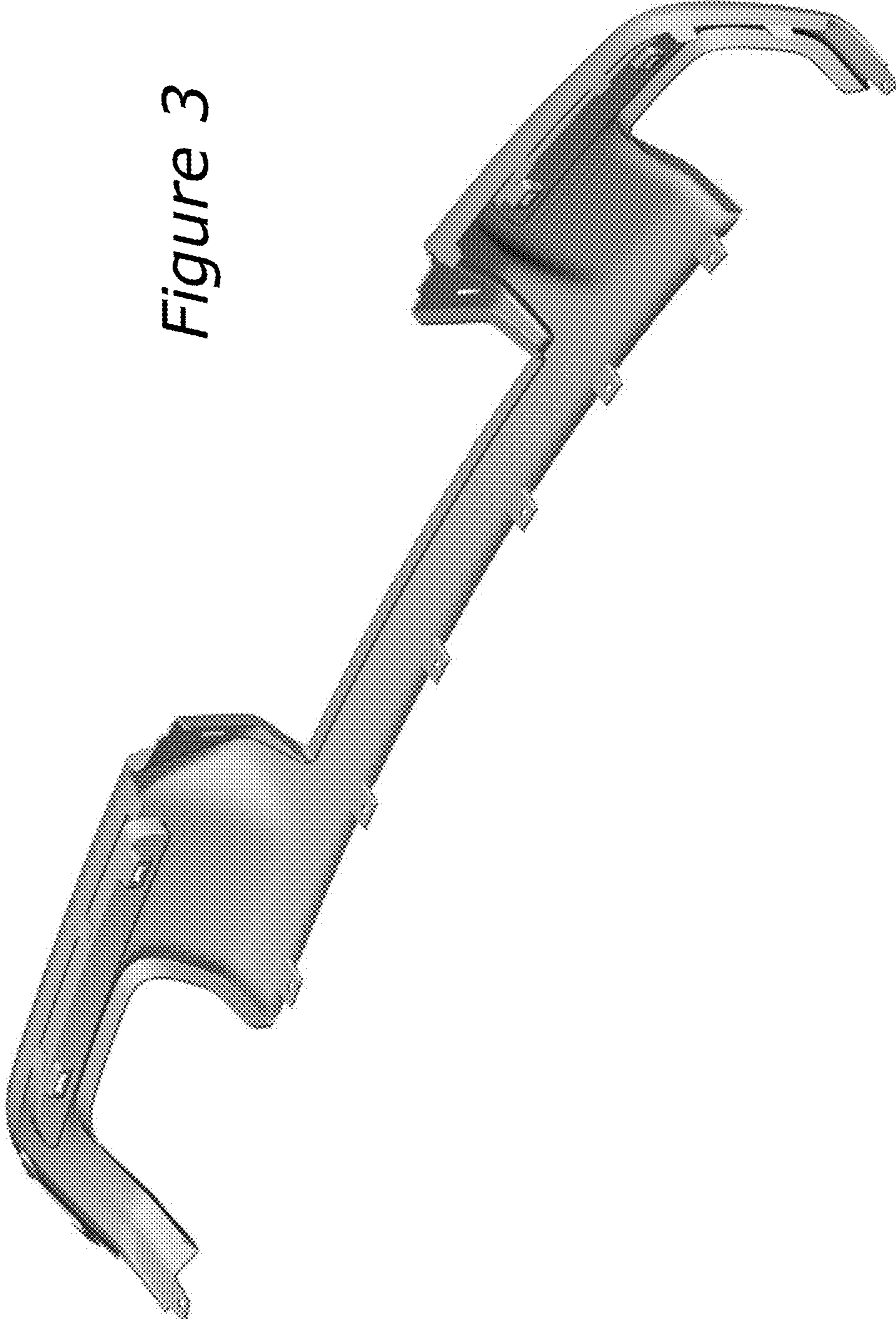


Figure 2

Figure 3



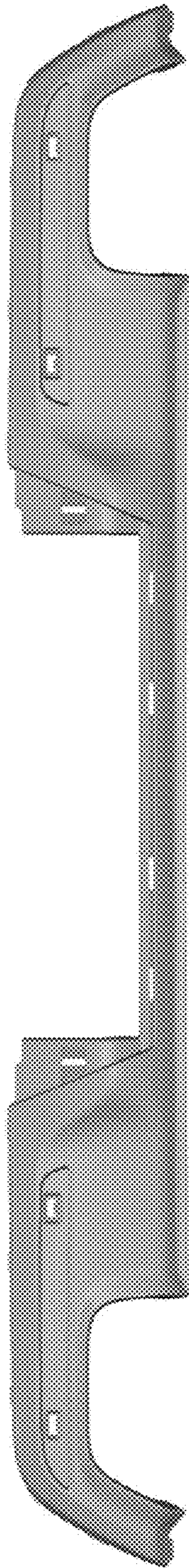


Figure 4

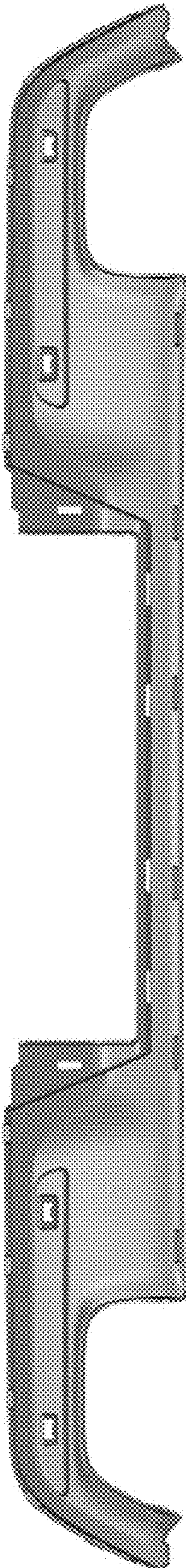
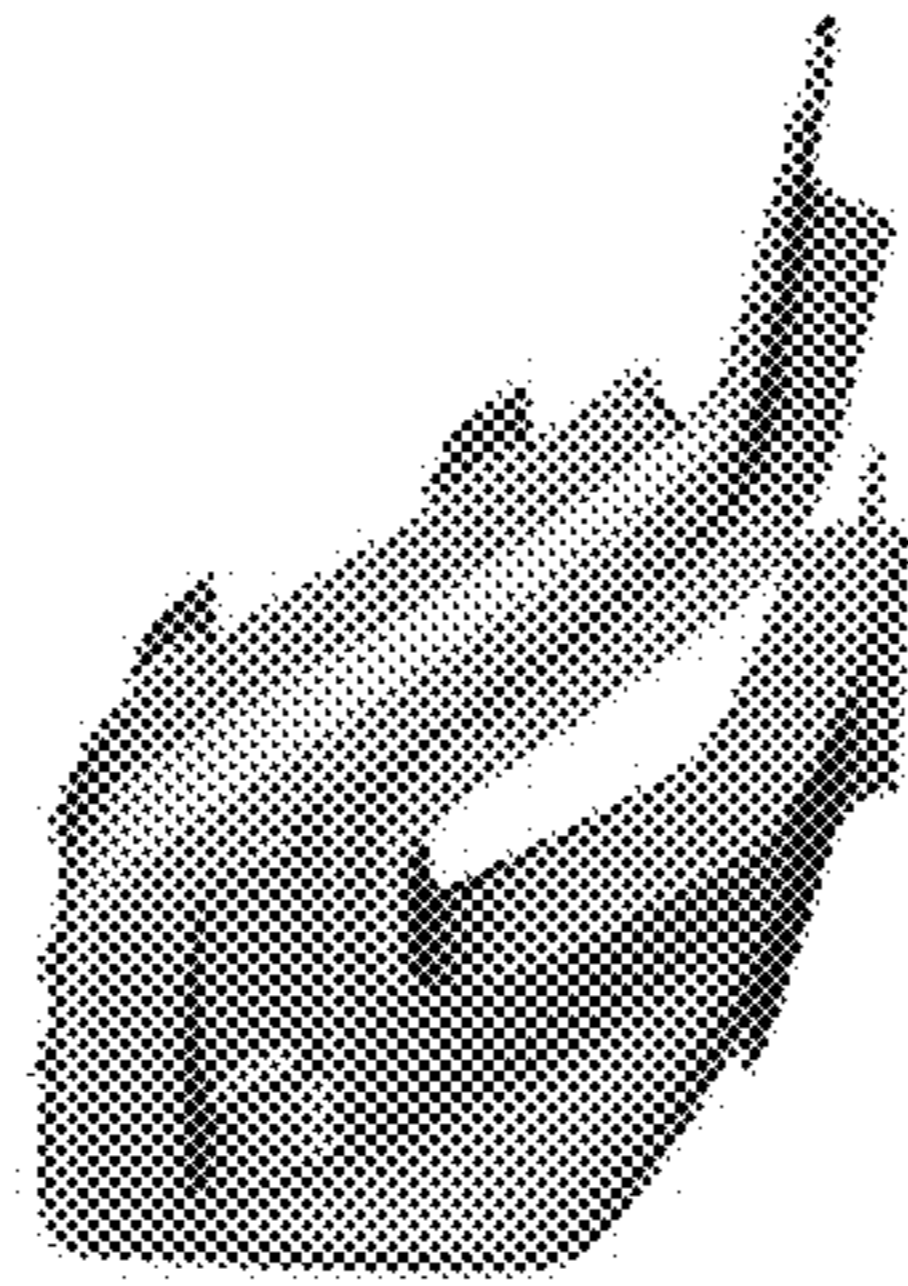


Figure 5



*Figure 6*



**Figure 7**



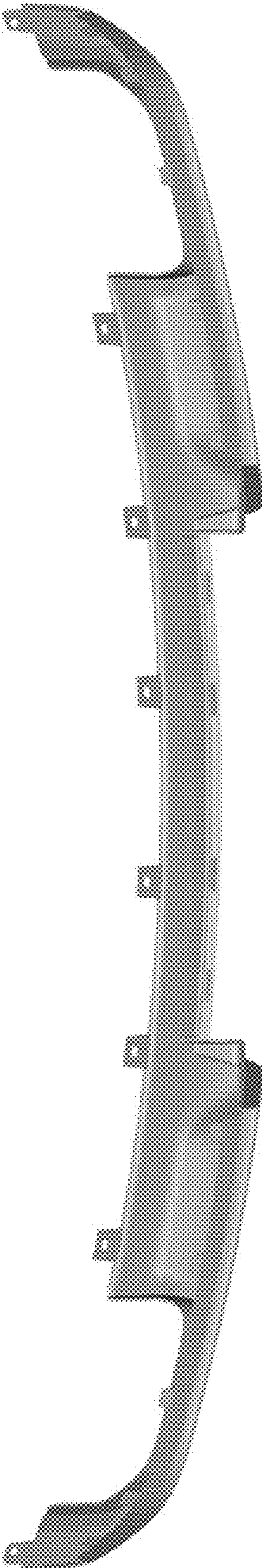


Figure 8

Figure 9

