



US00D751005S

(12) **United States Design Patent**
Galante et al.

(10) **Patent No.:** **US D751,005 S**
(45) **Date of Patent:** **** Mar. 8, 2016**

- (54) **AUTOMOBILE EXTERIOR**
- (71) Applicants: **Vincent J Galante**, Lake Orion, MI (US); **Mark T Allen**, Oxford, MI (US)
- (72) Inventors: **Vincent J Galante**, Lake Orion, MI (US); **Mark T Allen**, Oxford, MI (US)
- (73) Assignee: **FCA US LLC**, Auburn Hills, MI (US)
- (**) Term: **14 Years**
- (21) Appl. No.: **29/497,804**
- (22) Filed: **Jul. 29, 2014**

D500,460 S	1/2005	Allen et al.	
D506,955 S	7/2005	Allen et al.	
D534,097 S	12/2006	Renkert et al.	
D693,737 S	11/2013	Hammoud et al.	
D696,986 S *	1/2014	Kawasaki	D12/164
D696,990 S *	1/2014	Suga	D12/164
D697,455 S *	1/2014	Kubota	D12/164
D697,457 S *	1/2014	Kubota	D12/164
D731,933 S *	6/2015	Beaven	D12/164
D733,004 S *	6/2015	Huang	D12/91
D735,611 S *	8/2015	Aengenheyster	D12/91
D736,120 S *	8/2015	Blanski	D12/91

* cited by examiner

Primary Examiner — Melody Brown

(74) *Attorney, Agent, or Firm* — Ralph E Smith

Related U.S. Application Data

- (63) Continuation-in-part of application No. 29/458,820, filed on Jun. 24, 2013, now Pat. No. Des. 713,308.
- (51) **LOC (10) Cl.** **12-16**
- (52) **U.S. Cl.**
USPC **D12/164**
- (58) **Field of Classification Search**
USPC D12/86, 90-92; D21/424, 433, 434;
296/181.1, 181.5
CPC B62D 35/00; B62D 25/00; B62D 25/06;
B62D 33/00
See application file for complete search history.

(57) **CLAIM**

The ornamental design for an automobile exterior, as shown and described.

DESCRIPTION

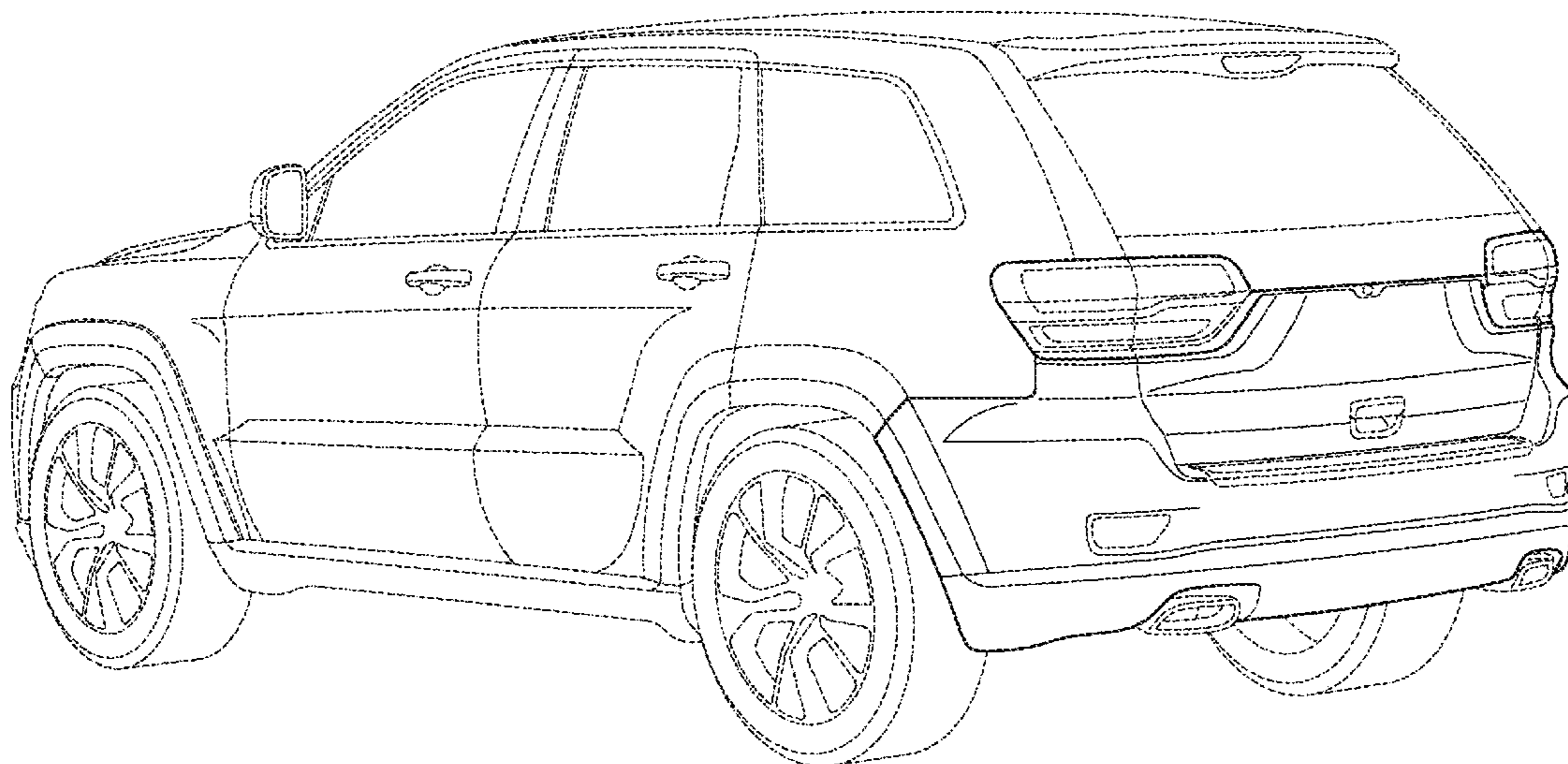
FIG. 1 is a rear perspective view of an automobile exterior showing our new design;
FIG. 2 is a rear elevational view thereof;
FIG. 3 is a side elevational view thereof; and,
FIG. 4 is an opposite side elevational view thereof.
It will be understood that the broken lines shown in the drawings illustrate portions of the automobile exterior that form no part of claimed design.

(56) **References Cited**

U.S. PATENT DOCUMENTS

- D350,504 S 9/1994 Nixon et al.
- D420,939 S 2/2000 Faurote et al.

1 Claim, 4 Drawing Sheets



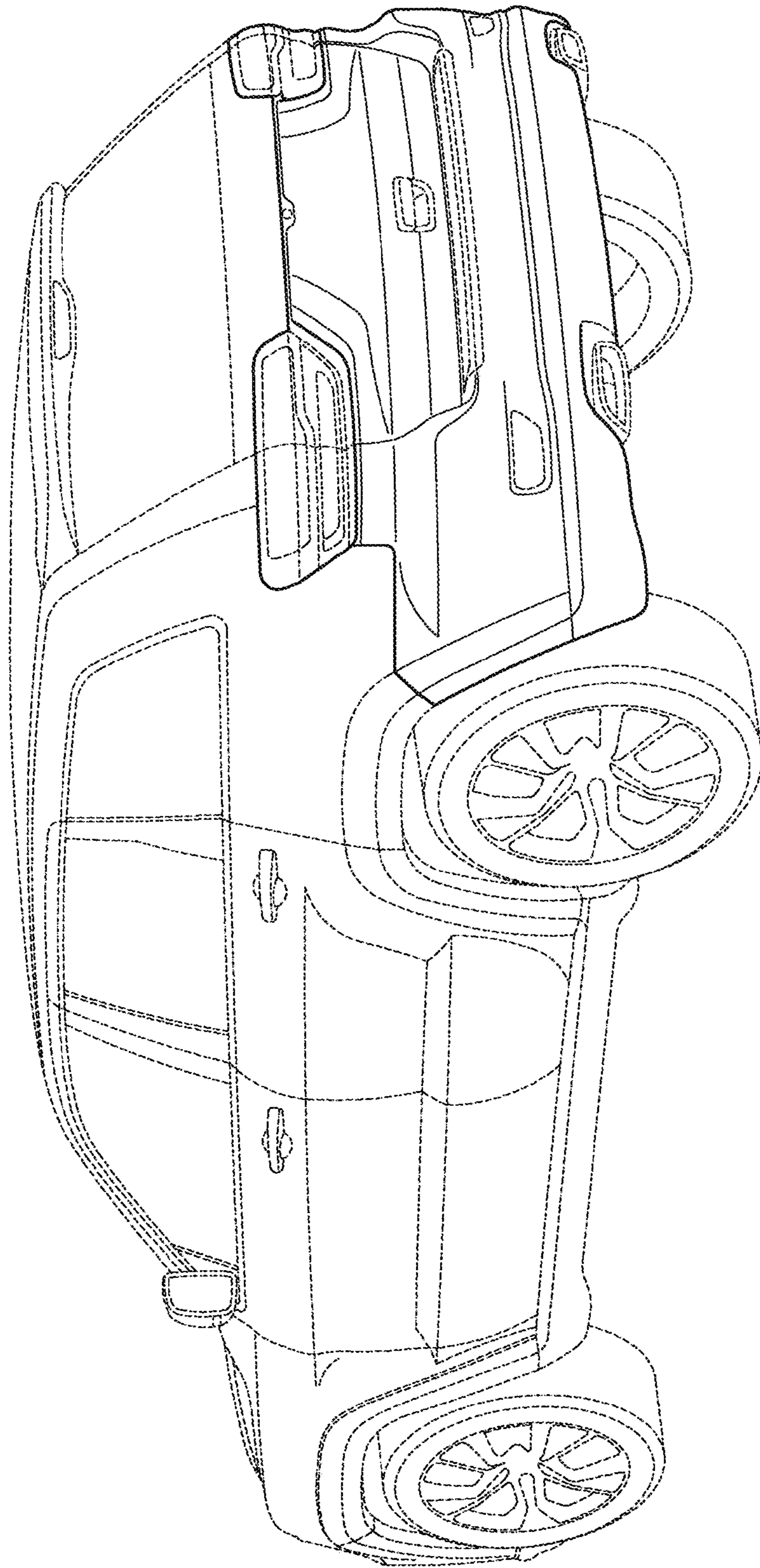


FIG. 1

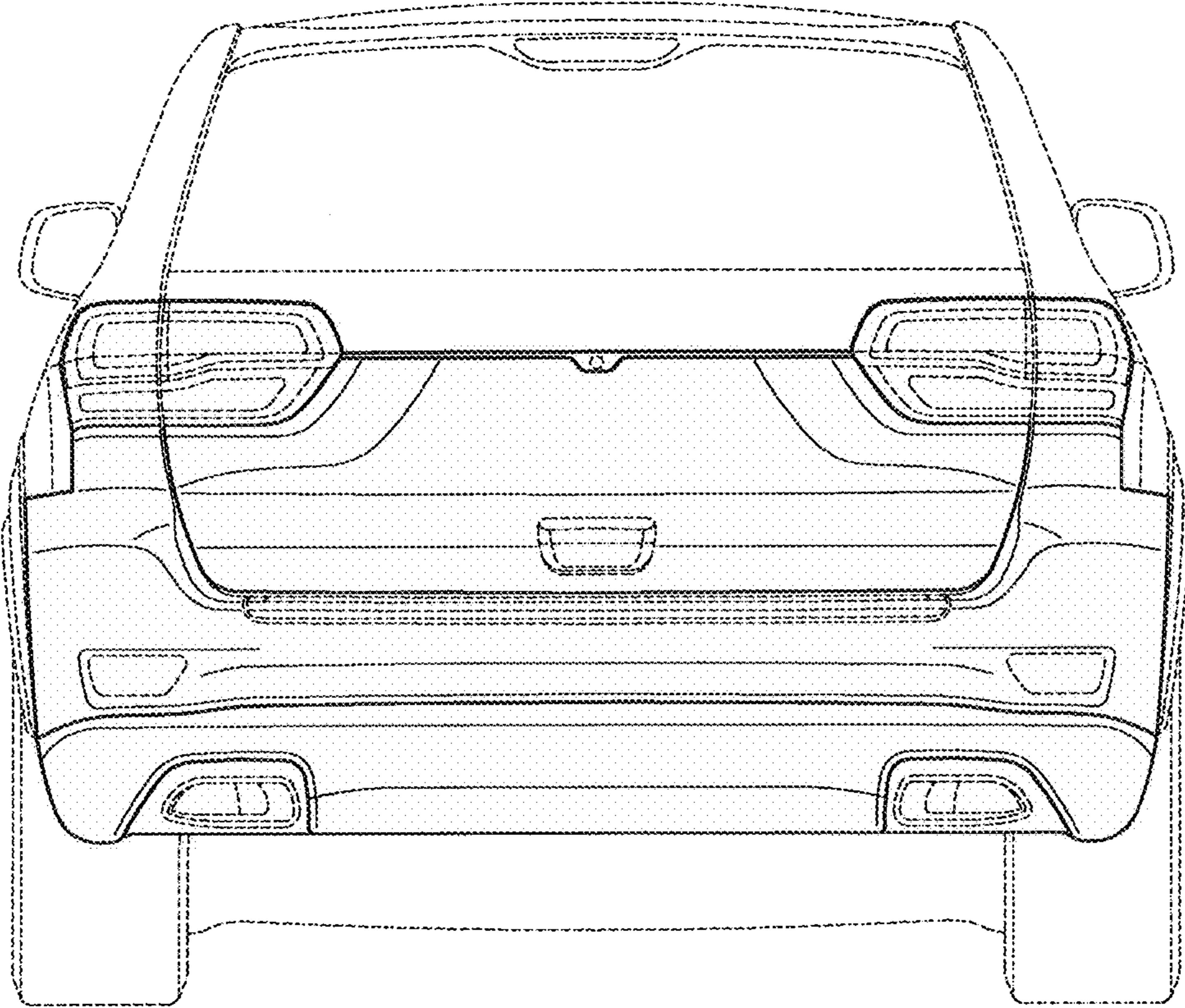


FIG. 2

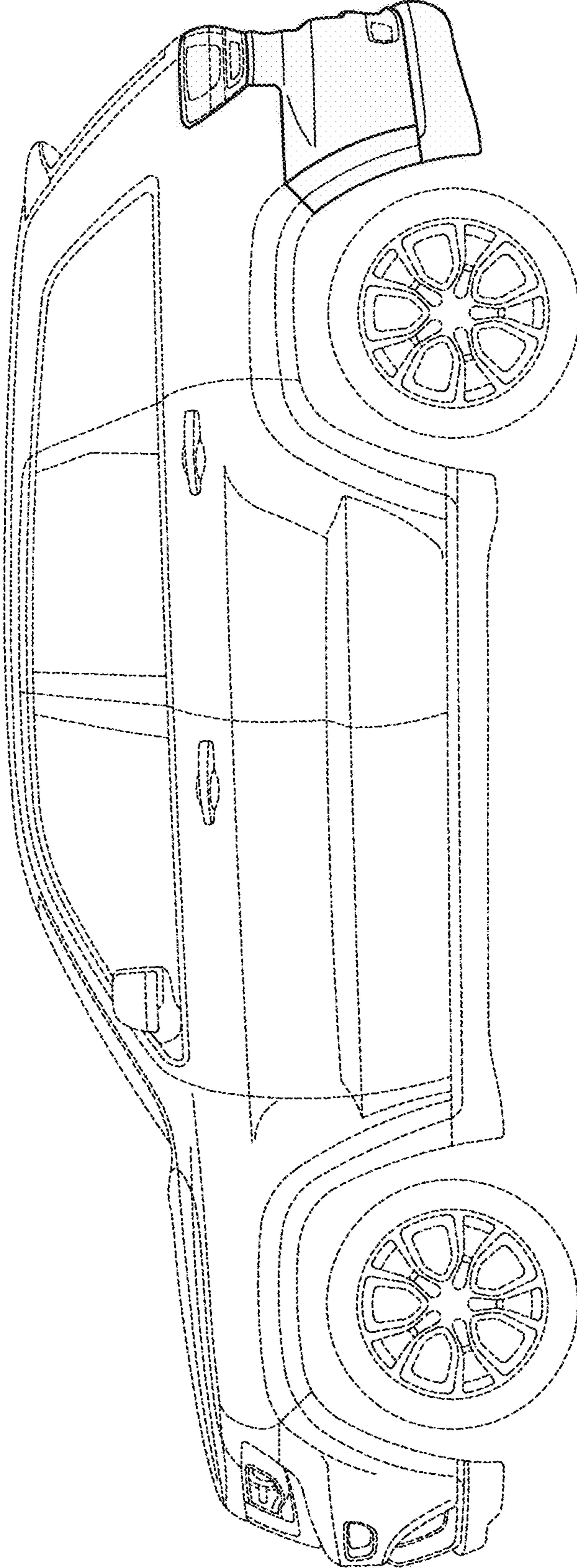


FIG. 3

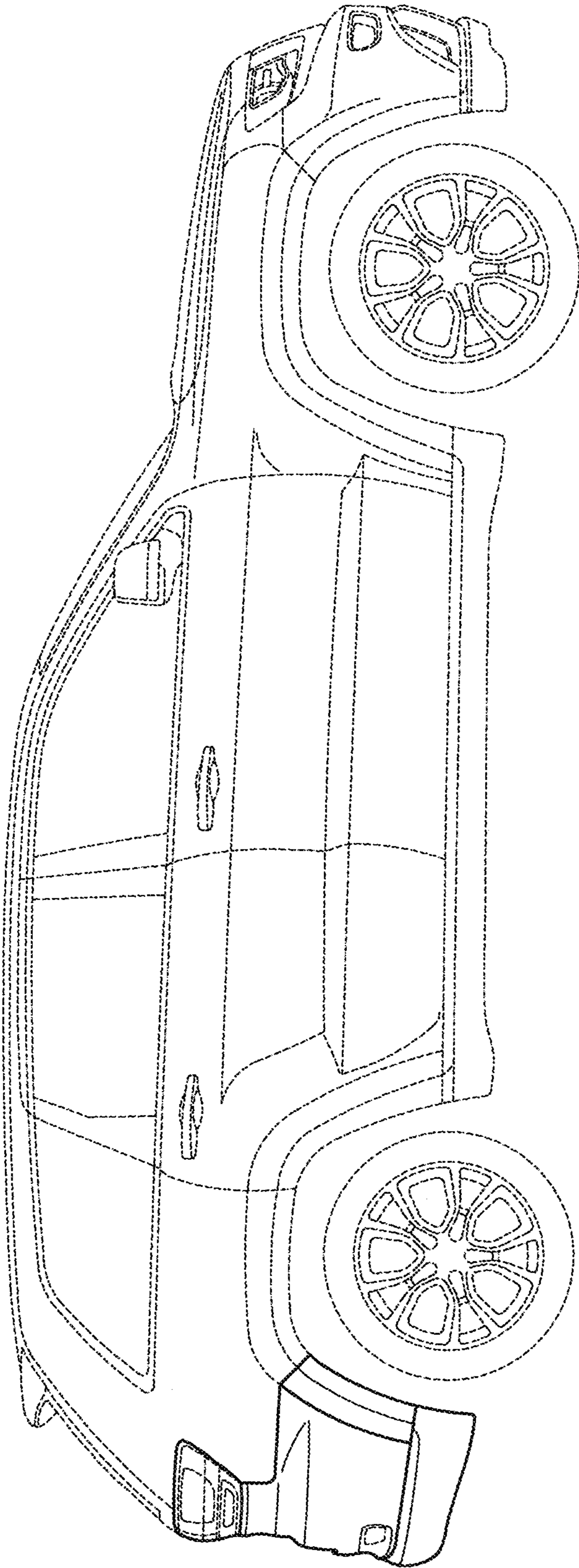


FIG. 4