



US00D751004S

(12) **United States Design Patent**  
**Rupar et al.**

(10) **Patent No.:** **US D751,004 S**  
(45) **Date of Patent:** **\*\* Mar. 8, 2016**

(54) **VEHICLE REAR LOWER BUMPER COVER**

D696,168 S \* 12/2013 Ito ..... D12/169  
D712,805 S \* 9/2014 Murkett ..... D12/169  
D738,269 S \* 9/2015 Blanski ..... D12/169

(71) Applicant: **Ford Motor Company**, Dearborn, MI  
(US)

(72) Inventors: **Ernesto Rupar**, Cologne (DE); **Stefan Lamm**, Cologne (DE)

(73) Assignee: **Ford Motor Company**, Dearborn, MI  
(US)

(\*\*) Term: **14 Years**

(21) Appl. No.: **29/516,209**

(22) Filed: **Jan. 30, 2015**

(51) **LOC (10) Cl.** ..... **12-16**

(52) **U.S. Cl.**  
USPC ..... **D12/163**

(58) **Field of Classification Search**  
USPC ..... D12/163, 196, 86, 90-92, 171, 169,  
D12/216; 180/68.1, 68.6; 293/193.11  
CPC ..... B62D 25/08; B62B 9/16; B60K 11/08;  
B60R 19/52  
See application file for complete search history.

(56) **References Cited**

**U.S. PATENT DOCUMENTS**

D630,976 S \* 1/2011 Clottu ..... D12/169  
D639,215 S \* 6/2011 Faghihzadeh ..... D12/169  
D640,613 S \* 6/2011 Bauer ..... D12/169  
D644,575 S \* 9/2011 Messale ..... D12/169  
D663,660 S \* 7/2012 Platto ..... D12/169  
D675,136 S \* 1/2013 Hamilton ..... D12/169  
D683,671 S \* 6/2013 Platto ..... D12/169  
D692,808 S \* 11/2013 Morioka ..... D12/169

**OTHER PUBLICATIONS**

Jake Holmes. 2016 Ford Focus RS Spied [online], [retrieved on Jan. 23, 2015] Retrieved from the Internet <URL: [http://www.automobilemag.com/features/news/1406-2016-ford-focus-rs-spied/?cx\\_source](http://www.automobilemag.com/features/news/1406-2016-ford-focus-rs-spied/?cx_source)>.

Joseph Capparella. 2016 Ford Focus RS Drifts around the Track in Teaser Video [online], [retrieved on Jan. 23, 2015] Retrieved from the Internet <URL: <http://www.automobilemag.com/features/news/1501-2016-ford-focus-rs-drifts-around-the-track-in-teaser-video>>.

\* cited by examiner

*Primary Examiner* — Melody N. Brown

(74) *Attorney, Agent, or Firm* — Damian Porcari

(57) **CLAIM**

The ornamental design for a vehicle rear lower bumper cover, as shown and described.

**DESCRIPTION**

FIG. 1 is a bottom left perspective view of a vehicle rear lower bumper cover;

FIG. 2 is a bottom right perspective view thereof;

FIG. 3 is a top rear perspective view thereof;

FIG. 4 is a front elevational view thereof;

FIG. 5 is a rear elevational view thereof;

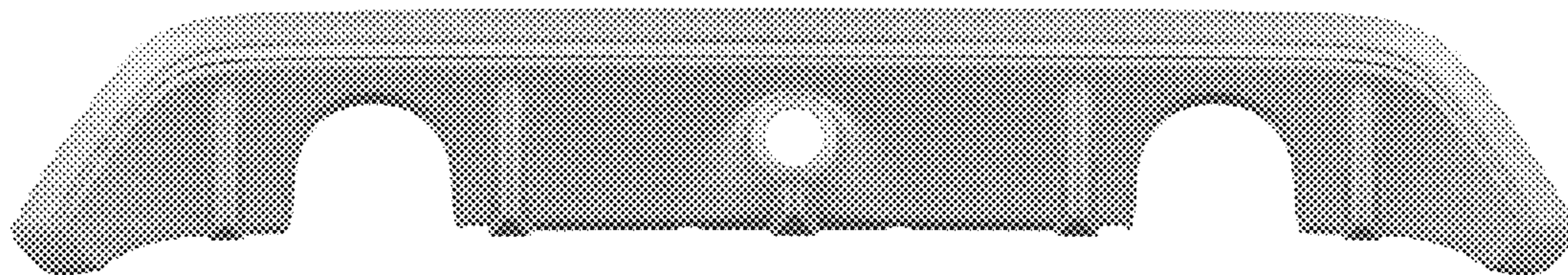
FIG. 6 is a left side elevational view thereof;

FIG. 7 is a right side elevational view thereof;

FIG. 8 is a top plan view thereof; and,

FIG. 9 is a bottom plan view thereof.

**1 Claim, 9 Drawing Sheets**



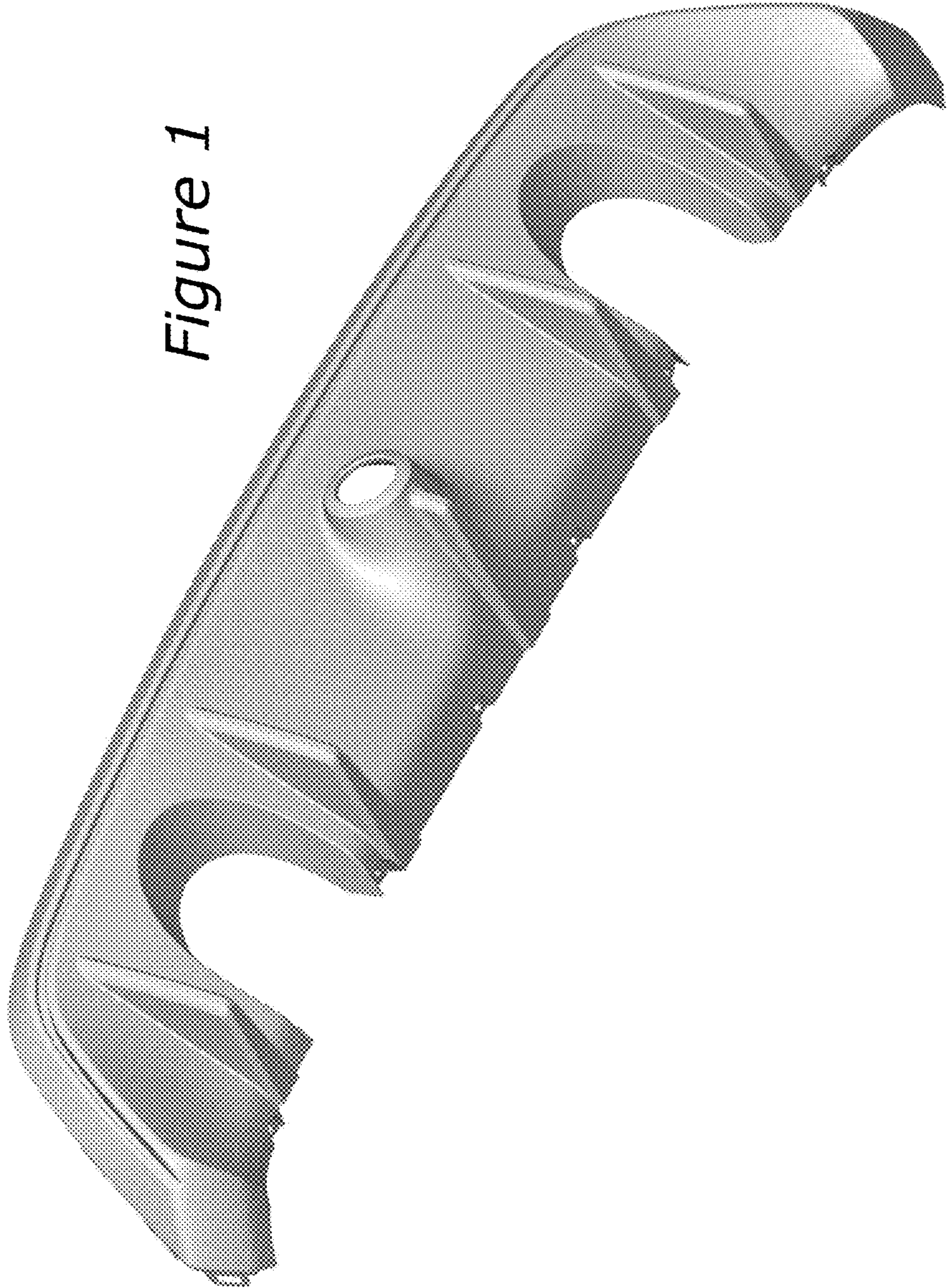


Figure 1



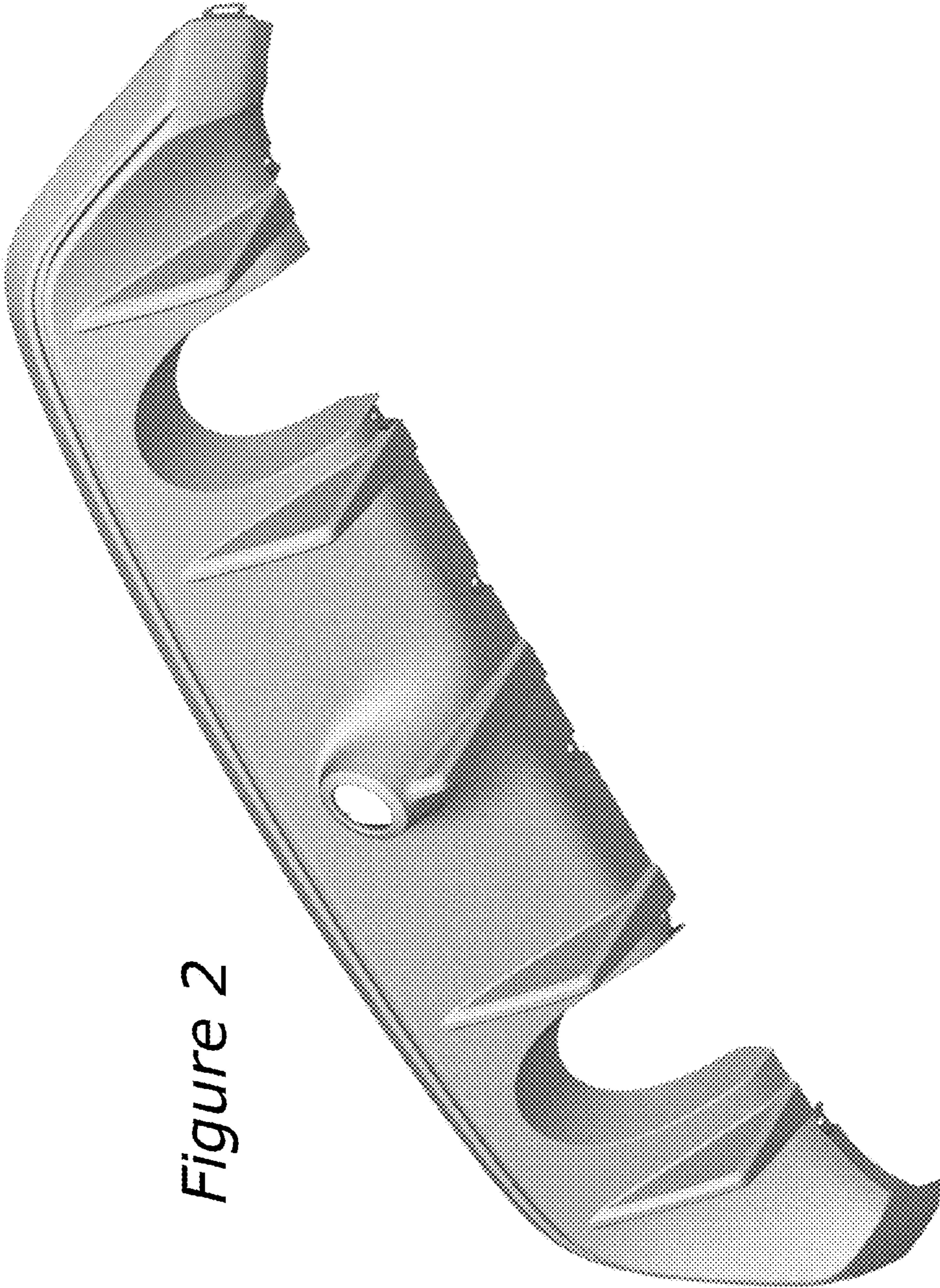
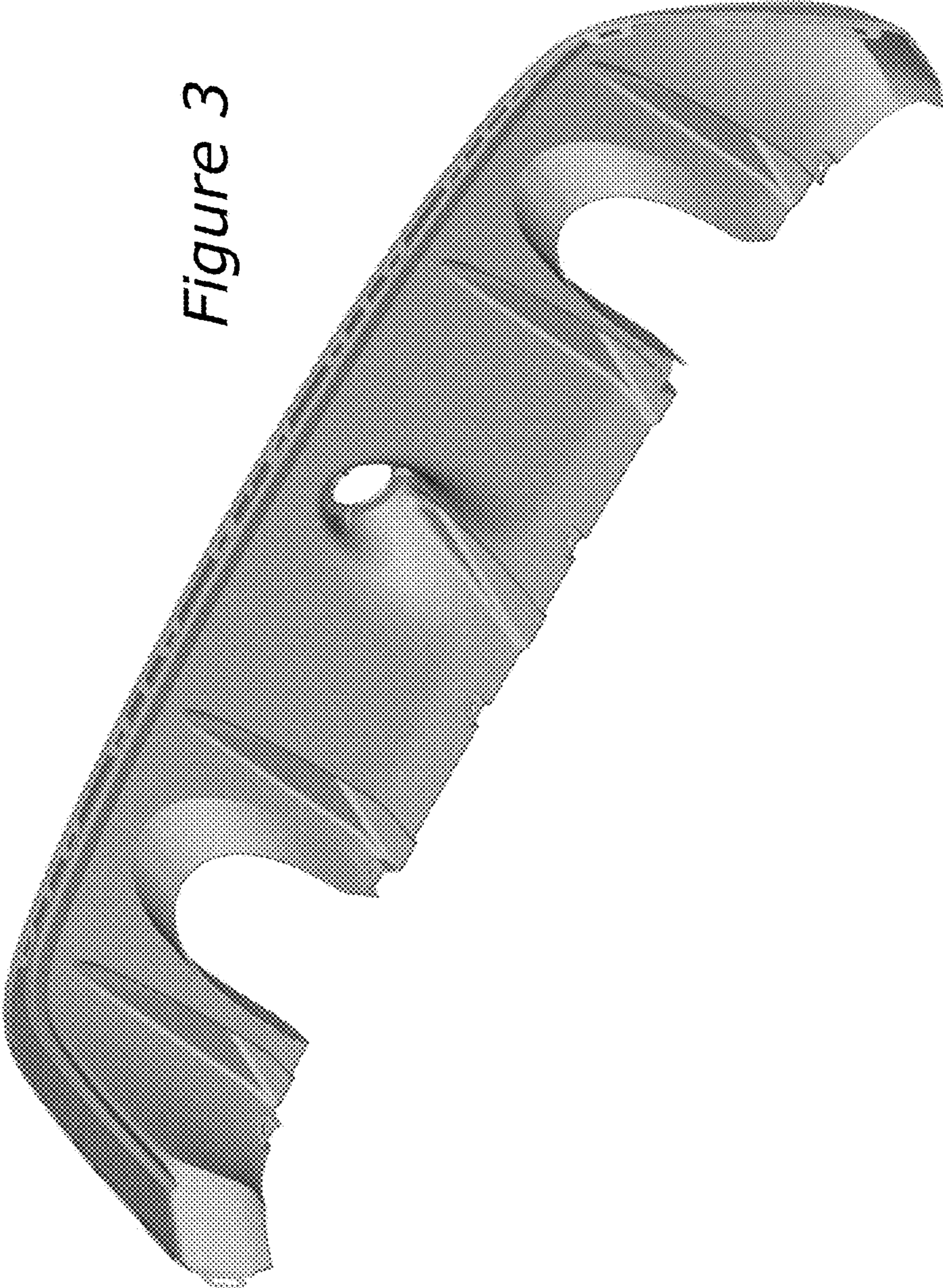


Figure 2

Figure 3





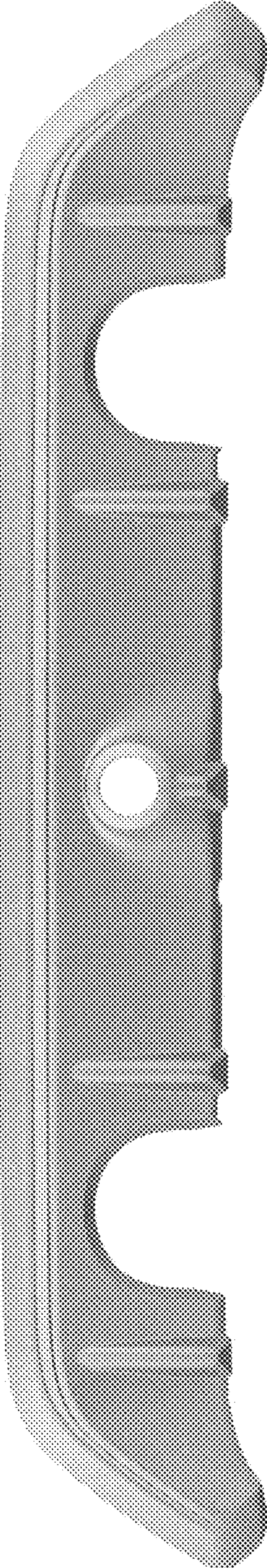


Figure 4

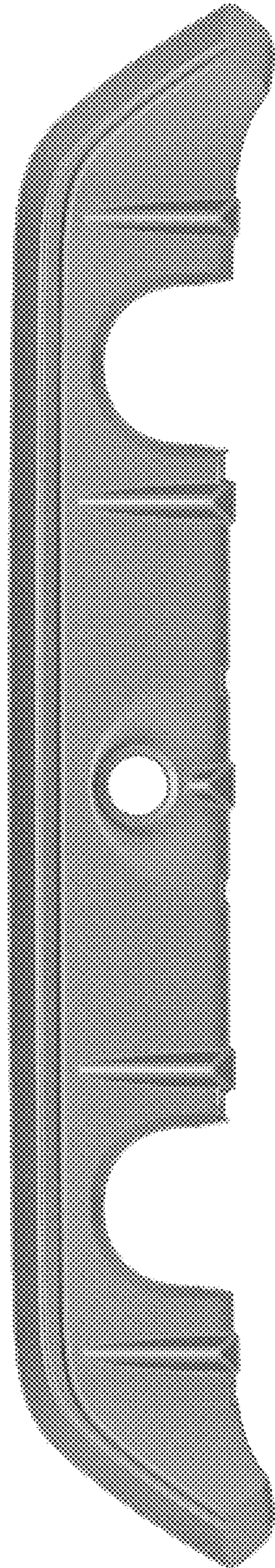


Figure 5

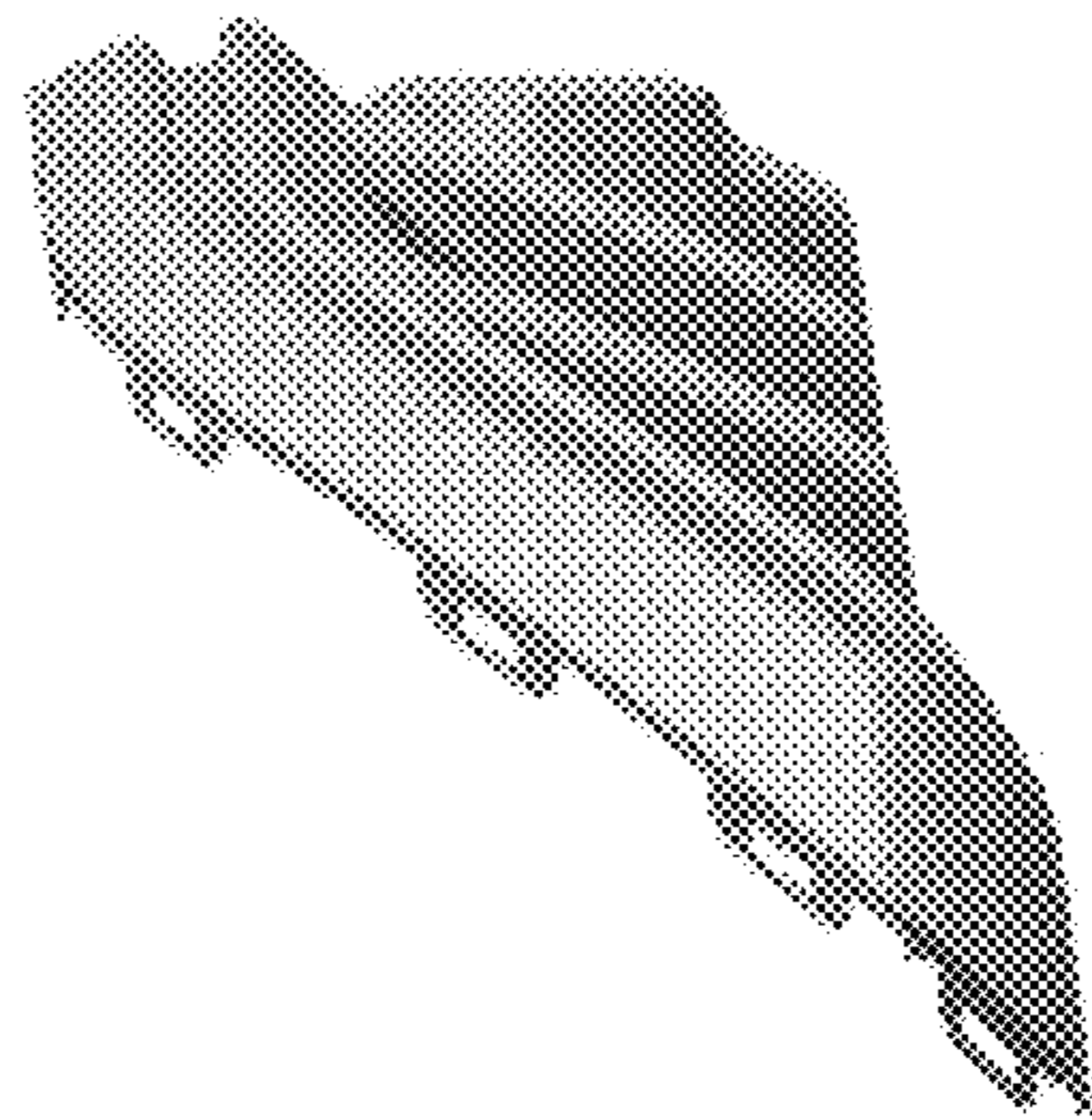
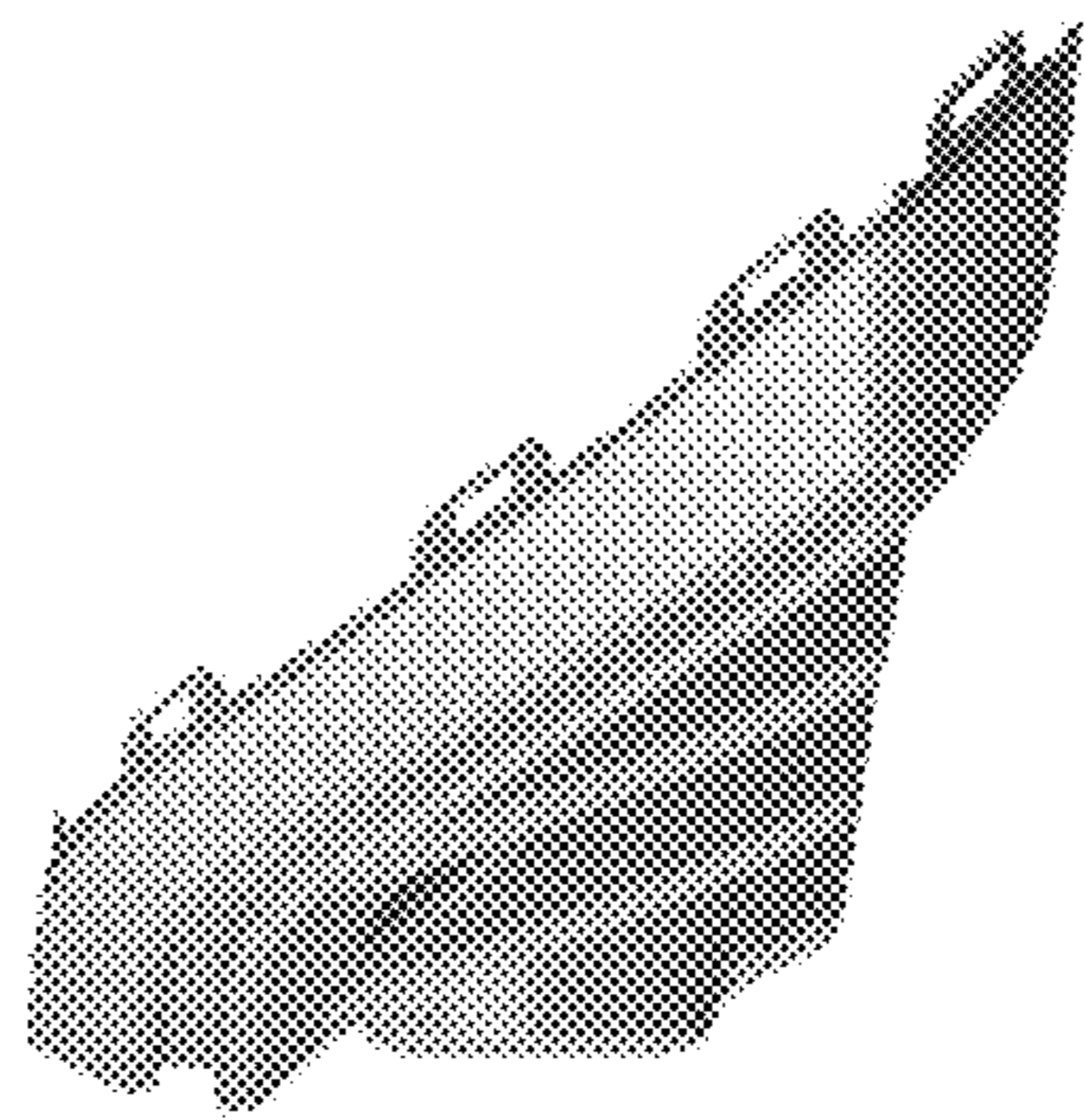


Figure 6



*Figure 7*



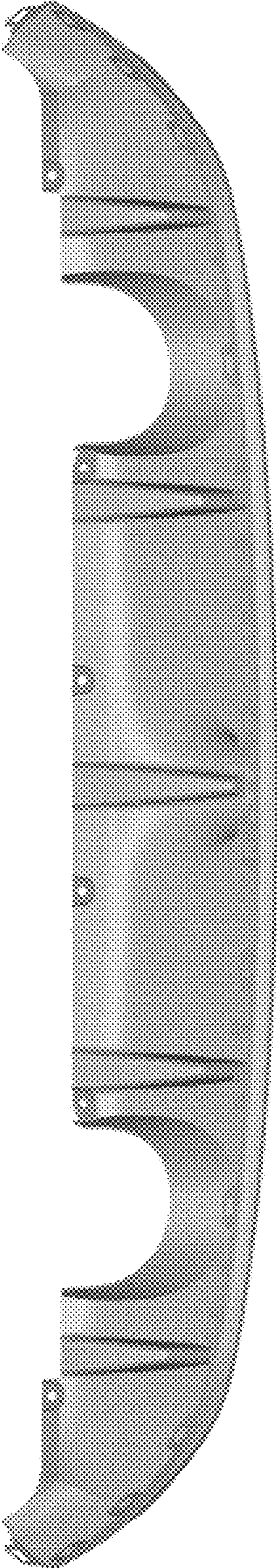


Figure 8

Figure 9

