



US00D751002S

(12) **United States Design Patent**  
**Ford et al.**

(10) **Patent No.:** **US D751,002 S**  
(45) **Date of Patent:** **\*\* Mar. 8, 2016**

(54) **ADJUSTABLE MOTOR VEHICLE PEDAL**

(71) Applicant: **Lokar, Inc.**, Knoxville, TN (US)  
(72) Inventors: **Kevin Ford**, Knoxville, TN (US); **Scott Thiel**, Sherwood, OR (US)  
(73) Assignee: **Lokar, Inc.**, Knoxville, TN (US)  
(\*\*) Term: **14 Years**  
(21) Appl. No.: **29/506,429**  
(22) Filed: **Oct. 15, 2014**

(51) **LOC (10) Cl.** ..... **12-16**  
(52) **U.S. Cl.**  
USPC ..... **D12/159**

(58) **Field of Classification Search**

USPC ..... D12/118, 159, 160, 161, 174, 400;  
D8/39, 349, 354, 363, 373, 380, 382;  
D15/22-26, 28, 31; D25/119, 121.1,  
D25/124, 125, 136, 138; 188/274, 281, 286,  
188/298, 297, 315, 316; 267/64.15, 136,  
267/195, 217; 280/11.225, 86.752,  
280/124.146, 124.145, 124.147, 124.155;  
293/134; 464/173  
CPC ..... F16F 1/02; F16F 1/36; F16F 7/003;  
F16F 7/01; F16F 7/02; F16F 7/08; F16F 7/10;  
F16F 7/12; F16F 7/14; B62D 1/02; B62D  
1/24; B62D 21/02; B62D 21/06; B62D 21/07;  
B62D 21/08; B62D 21/09; B62D 21/10;  
B62D 21/11; B62D 21/12; B62D 21/14;  
B62D 21/15; B62D 21/16; B62D 21/17;  
B62D 21/18; B62D 27/02; B62D 27/04;  
B62D 27/06

See application file for complete search history.

(56) **References Cited**

**U.S. PATENT DOCUMENTS**

D496,887 S \* 10/2004 Carlson ..... D12/159  
D543,492 S \* 5/2007 Lyew ..... D12/159  
D559,081 S \* 1/2008 Myers ..... D8/354  
D672,287 S \* 12/2012 Noble ..... D12/159  
D685,253 S \* 7/2013 Hiebert ..... D8/349  
D699,270 S \* 2/2014 Beidler ..... D15/28  
D716,193 S \* 10/2014 Hsu ..... D12/159  
D727,218 S \* 4/2015 Hsu ..... D12/159

D729,043 S \* 5/2015 Poppell ..... D8/354  
2010/0300240 A1 \* 12/2010 Kim ..... G05G 1/30  
74/513  
2011/0167951 A1 \* 7/2011 Thiel ..... G05G 1/44  
74/512  
2011/0290068 A1 \* 12/2011 Uenver ..... G05G 1/32  
74/560  
2012/0132028 A1 \* 5/2012 Kim ..... G05G 1/405  
74/512  
2012/0169488 A1 \* 7/2012 Thiel ..... B60K 26/021  
340/438  
2012/0291586 A1 \* 11/2012 Watanabe ..... B60K 26/02  
74/513  
2015/0096407 A1 \* 4/2015 Fuller ..... G05G 1/44  
74/513  
2015/0153761 A1 \* 6/2015 Min ..... G05G 1/44  
74/512

**OTHER PUBLICATIONS**

“Kuryakyn Extended Brake Pedal Arm For Harley”—revzilla.com., Apr. 14, 2014 [online], [retrieved on Oct. 8, 2015]. Retrieved from the Internet <URL: <http://www.revzilla.com/motorcycle/kuryakyn-extended-brake-pedal-arm-for-harley>>.\*

\* cited by examiner

*Primary Examiner* — Philip S Hyder

*Assistant Examiner* — Darlington Ly

(74) *Attorney, Agent, or Firm* — Pitts & Lake, P.C.

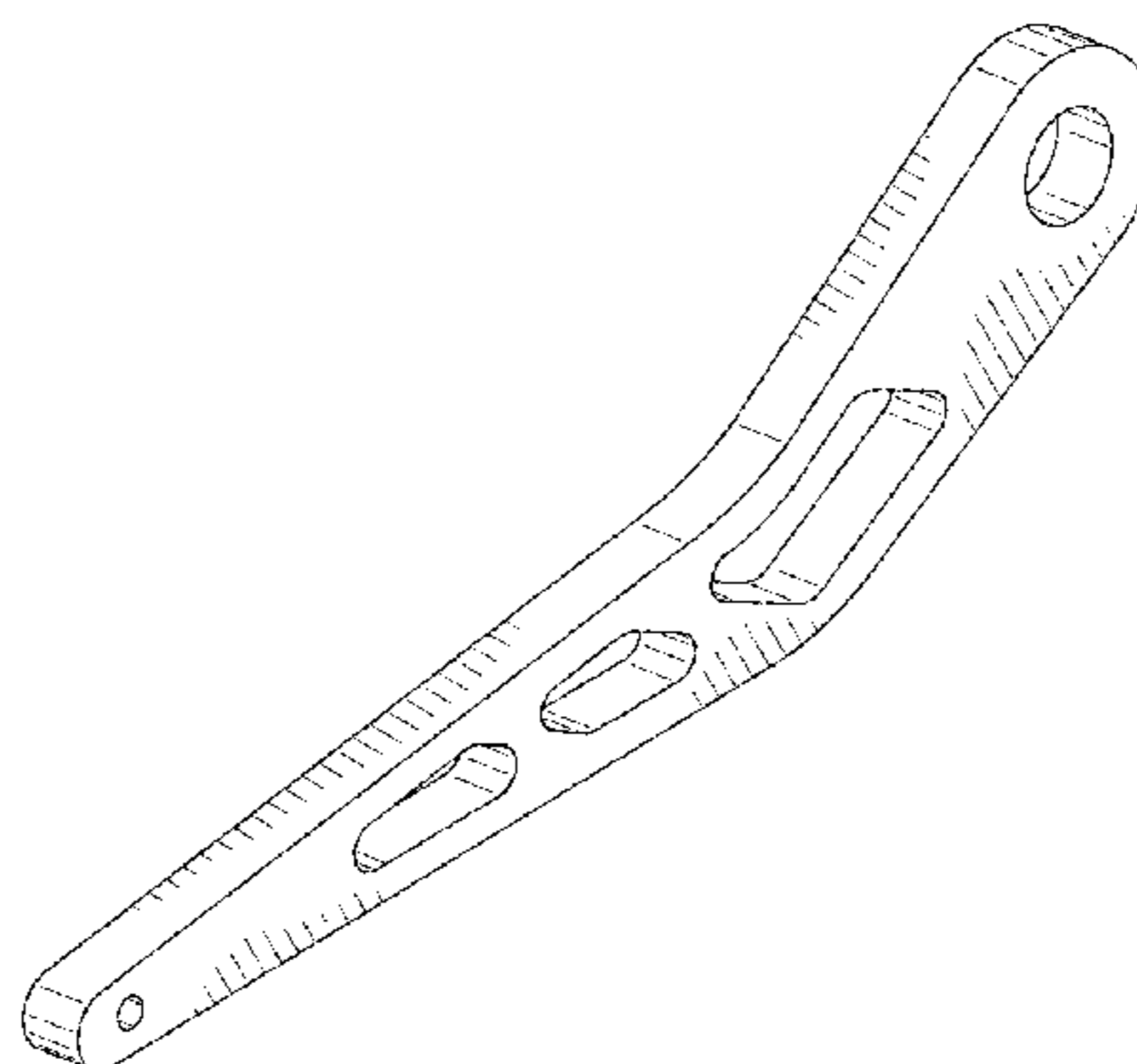
(57) **CLAIM**

The ornamental design for an adjustable motor vehicle pedal, as shown and described.

**DESCRIPTION**

FIG. 1 is a top, front and right-side perspective view of the adjustable motor vehicle pedal showing my new design; FIG. 2 is top, rear and right-side perspective view thereof; FIG. 3 is a right-side elevation view thereof; FIG. 4 is front elevation view thereof; FIG. 5 is a rear elevation view thereof; FIG. 6 is top plan view thereof; and, FIG. 7 is a bottom plan view thereof. The broken line showing the attachment bracket is for the purpose of illustrating portions of the article and forms no part of the claimed design.

**1 Claim, 3 Drawing Sheets**



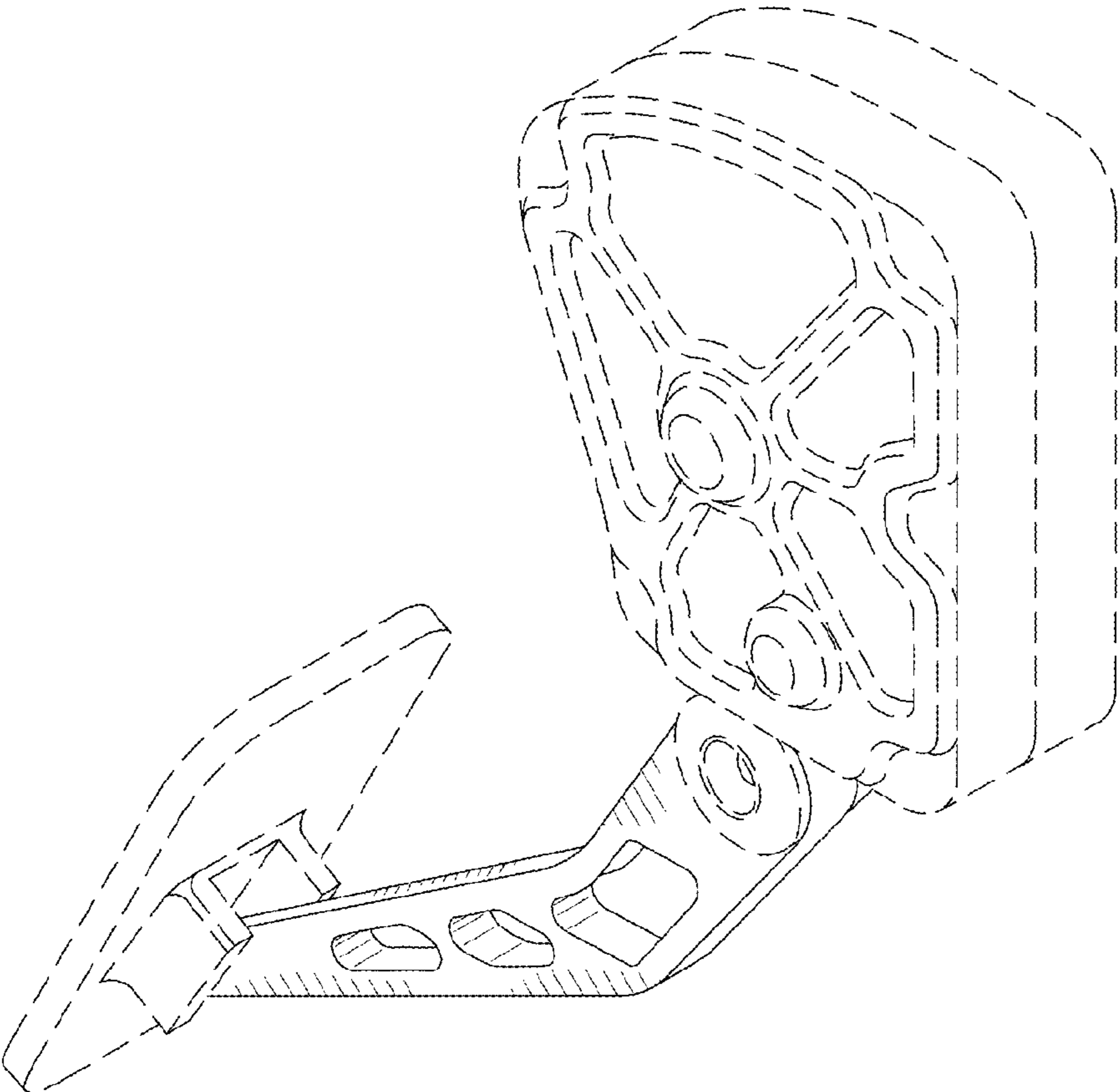


Fig. 1

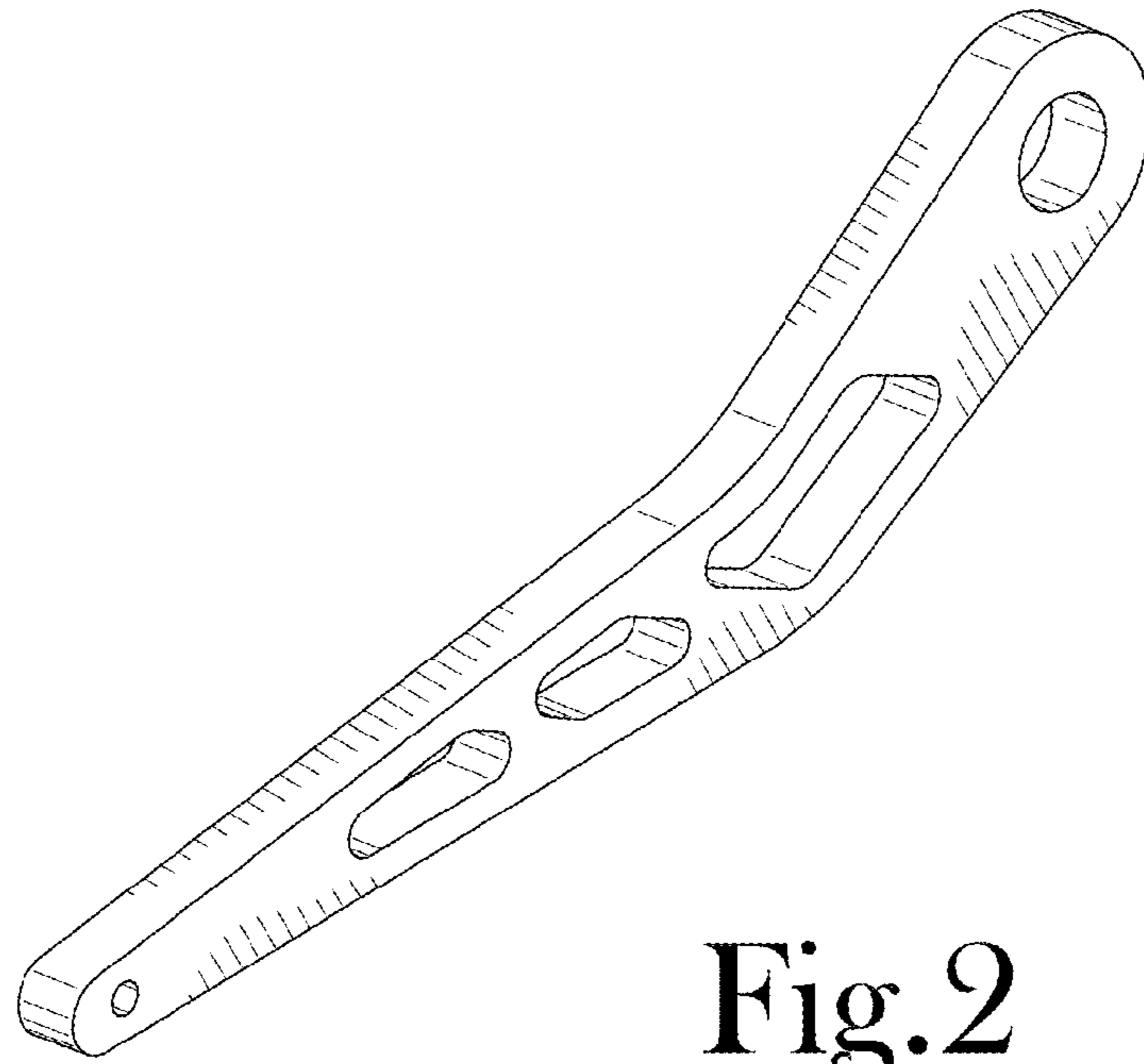


Fig. 2

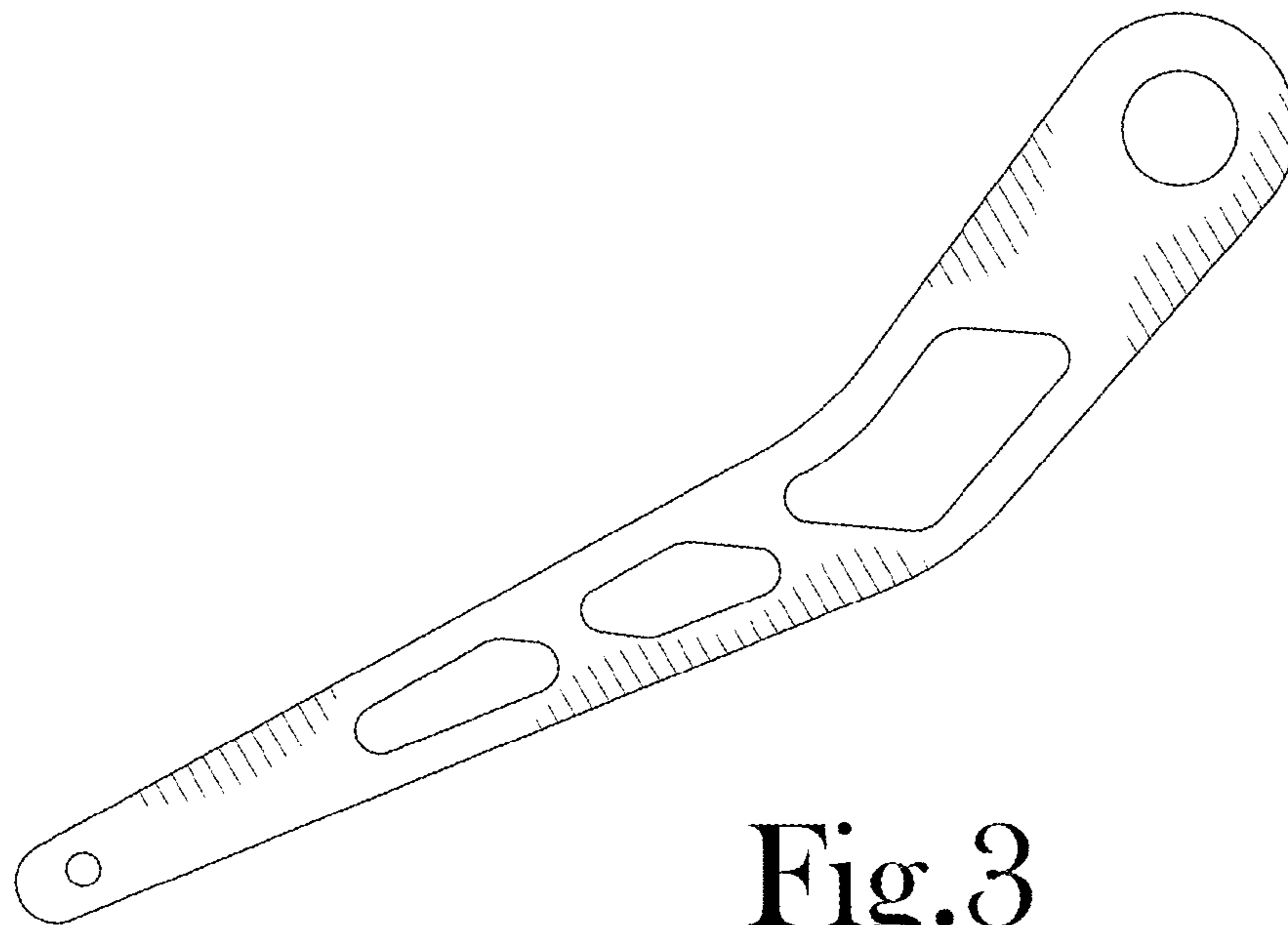


Fig. 3

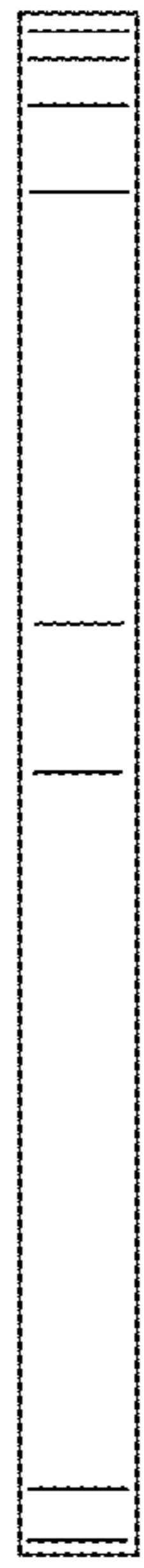


Fig. 4



Fig. 5



Fig. 6



Fig. 7