



US00D750999S

(12) **United States Design Patent**
Zichner

(10) **Patent No.:** **US D750,999 S**
(45) **Date of Patent:** **** Mar. 8, 2016**

(54) **ELECTRIC BICYCLE DRIVE**
(71) Applicant: **Pendix GmbH**, Zwickau (DE)
(72) Inventor: **Marco Zichner**, Dresden (DE)
(73) Assignee: **Pendix GmbH**, Zwickau (DE)
(**) Term: **14 Years**
(21) Appl. No.: **29/515,006**
(22) Filed: **Jan. 20, 2015**

(30) **Foreign Application Priority Data**

Jul. 24, 2014 (DE) 40 2014 100 628

(51) **LOC (10) Cl.** **12-11**
(52) **U.S. Cl.**
USPC **D12/123**

(58) **Field of Classification Search**
USPC D12/111, 122-127; 474/77, 80, 116,
474/118, 152, 155-158, 160-164, 202;
280/288.4, 304.3, 304.4; 74/594.2
CPC F16H 1/00; F16H 1/28; F16H 7/06;
F16H 55/30; F16H 55/303; B62M 9/105
See application file for complete search history.

(56) **References Cited**

U.S. PATENT DOCUMENTS

D520,920 S * 5/2006 Okada D12/123
D532,342 S * 11/2006 Arakawa D12/123
D553,055 S * 10/2007 Tokumoto D12/123
D555,048 S * 11/2007 Hanamura D12/123
D580,303 S * 11/2008 Okada D12/123

D600,166 S * 9/2009 Tokumoto D12/123
D607,784 S * 1/2010 Gisbert D12/123
7,686,721 B2 * 3/2010 Tabe B62M 9/105
474/116
D625,333 S * 10/2010 Tanaka D12/111
D654,403 S * 2/2012 Kyu D12/111
D675,549 S * 2/2013 Noborio D12/123
8,657,047 B2 * 2/2014 Urabe B62M 6/65
180/220
D720,260 S * 12/2014 Yoshida D12/111
D721,013 S * 1/2015 Fragassi D12/111
D733,009 S * 6/2015 Woods D12/123
2009/0260476 A1 * 10/2009 Jordan B62M 11/145
74/577 R
2014/0080651 A1 * 3/2014 Kim F16H 1/28
475/149

* cited by examiner

Primary Examiner — Philip S Hyder

Assistant Examiner — Darlington Ly

(74) *Attorney, Agent, or Firm* — Collard & Roe, P.C.

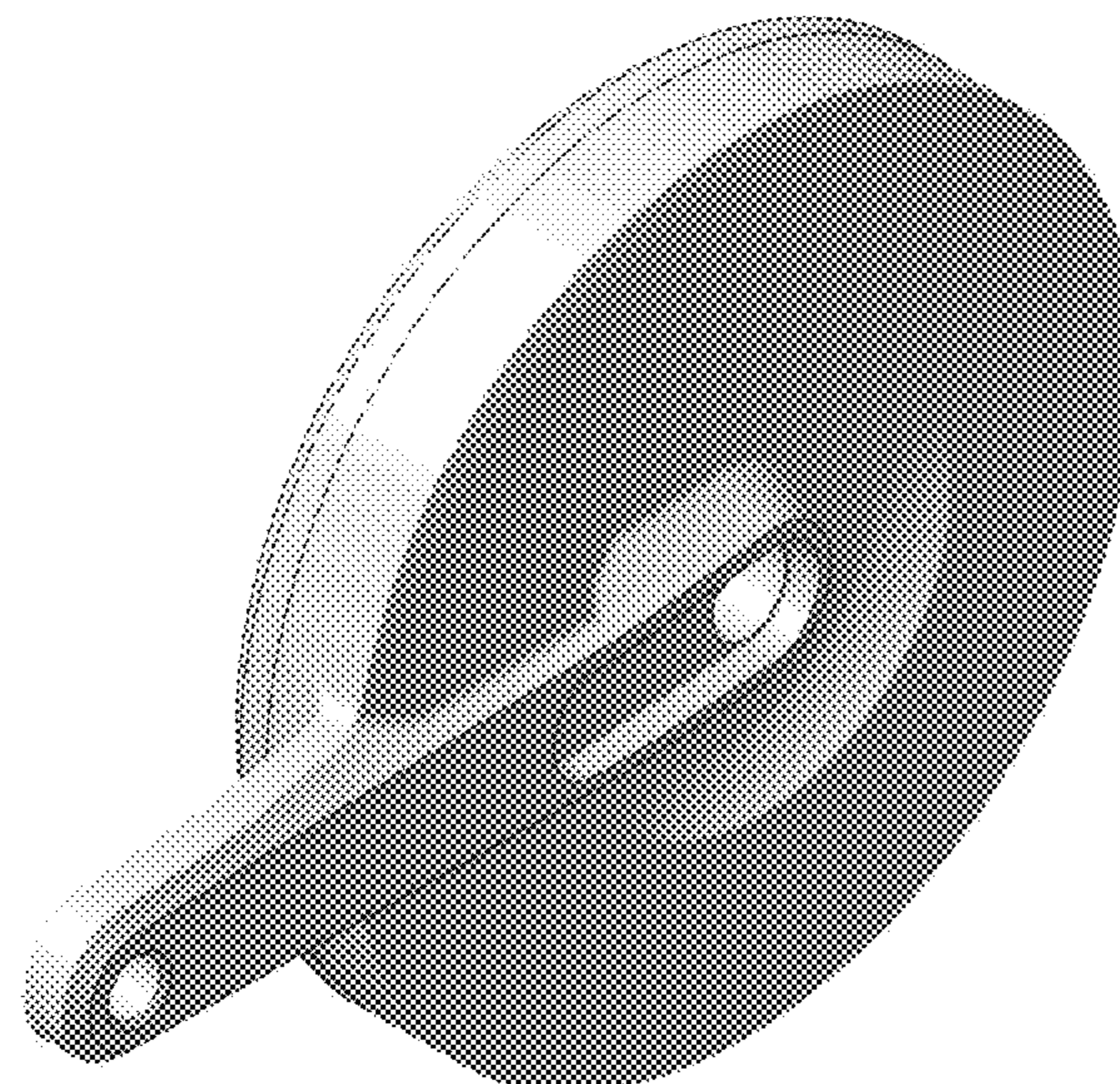
(57) **CLAIM**

The ornamental design for an electric bicycle drive, as shown and described.

DESCRIPTION

FIG. 1 is a rear view of an electric bicycle drive, showing my new design;
FIG. 2 is a front view thereof;
FIG. 3 is a top view thereof, with the bottom view being a mirror image thereof;
FIG. 4 is a top, side and front perspective view thereof; and,
FIG. 5 is a top, rear and opposite side perspective view thereof.

1 Claim, 5 Drawing Sheets



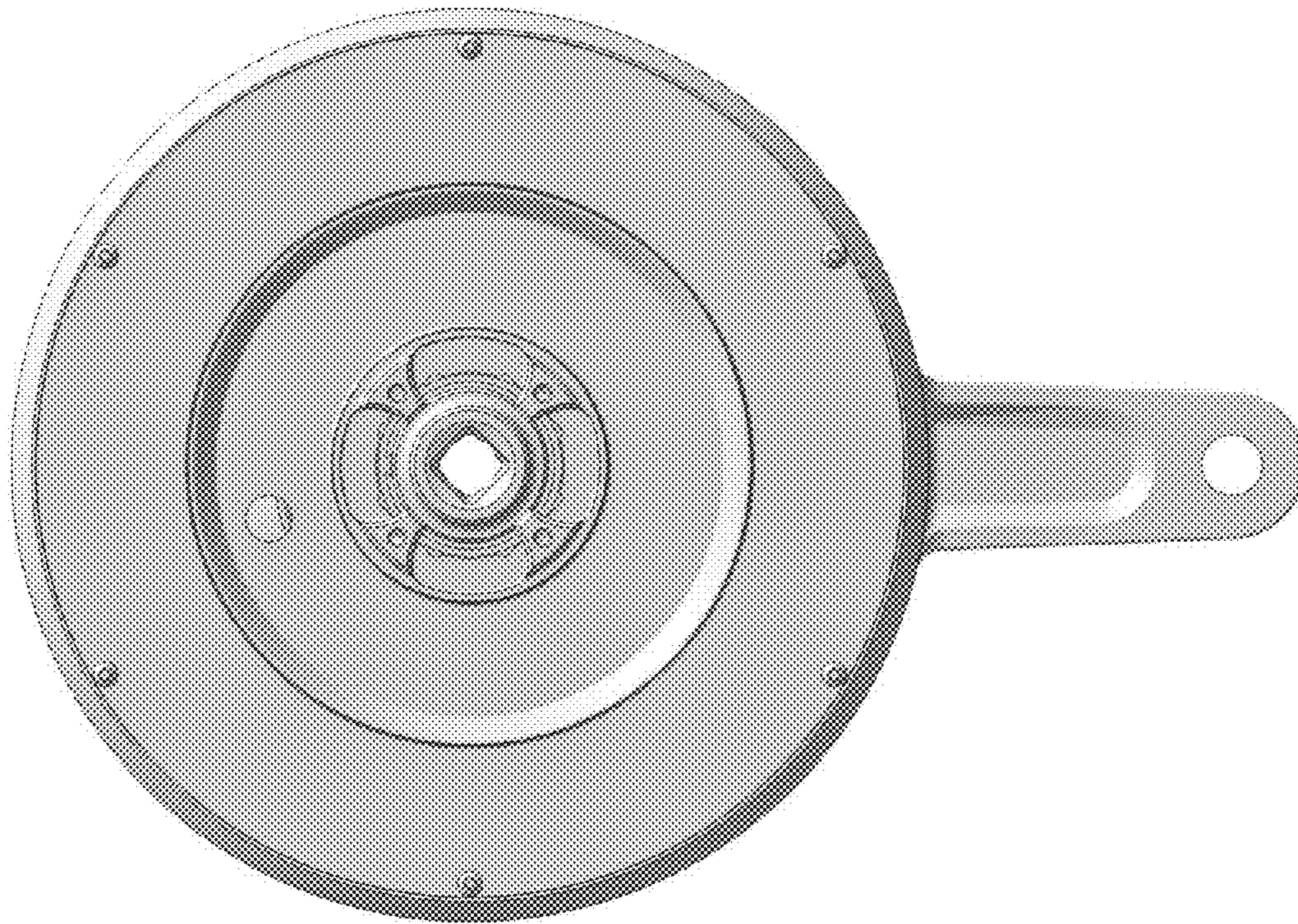


FIG.1

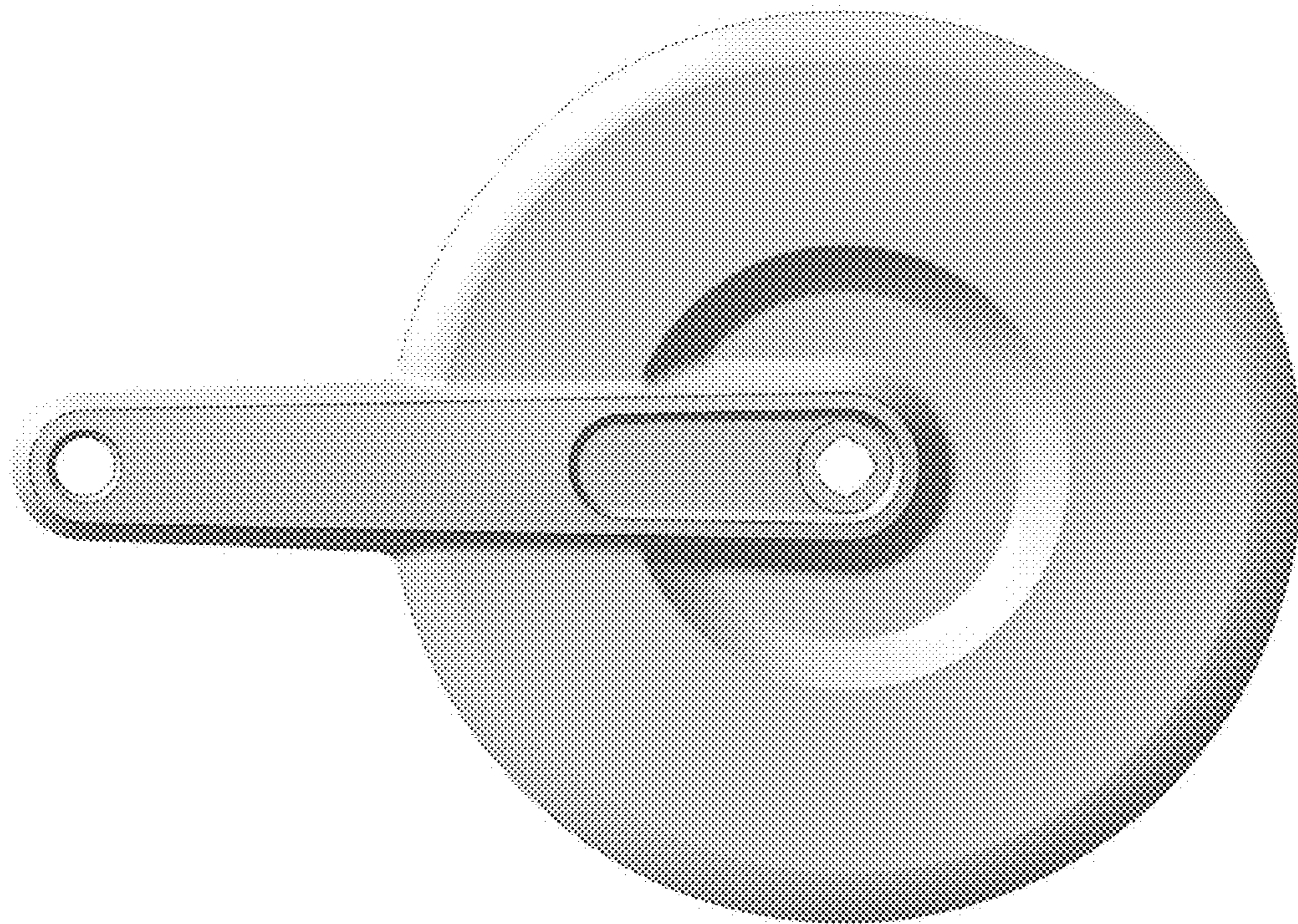


FIG. 2

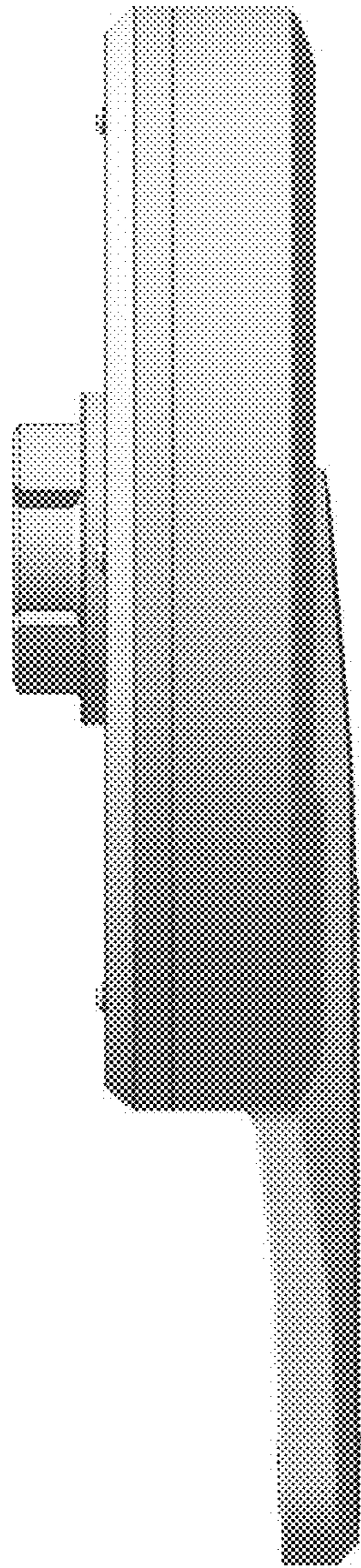


FIG. 3

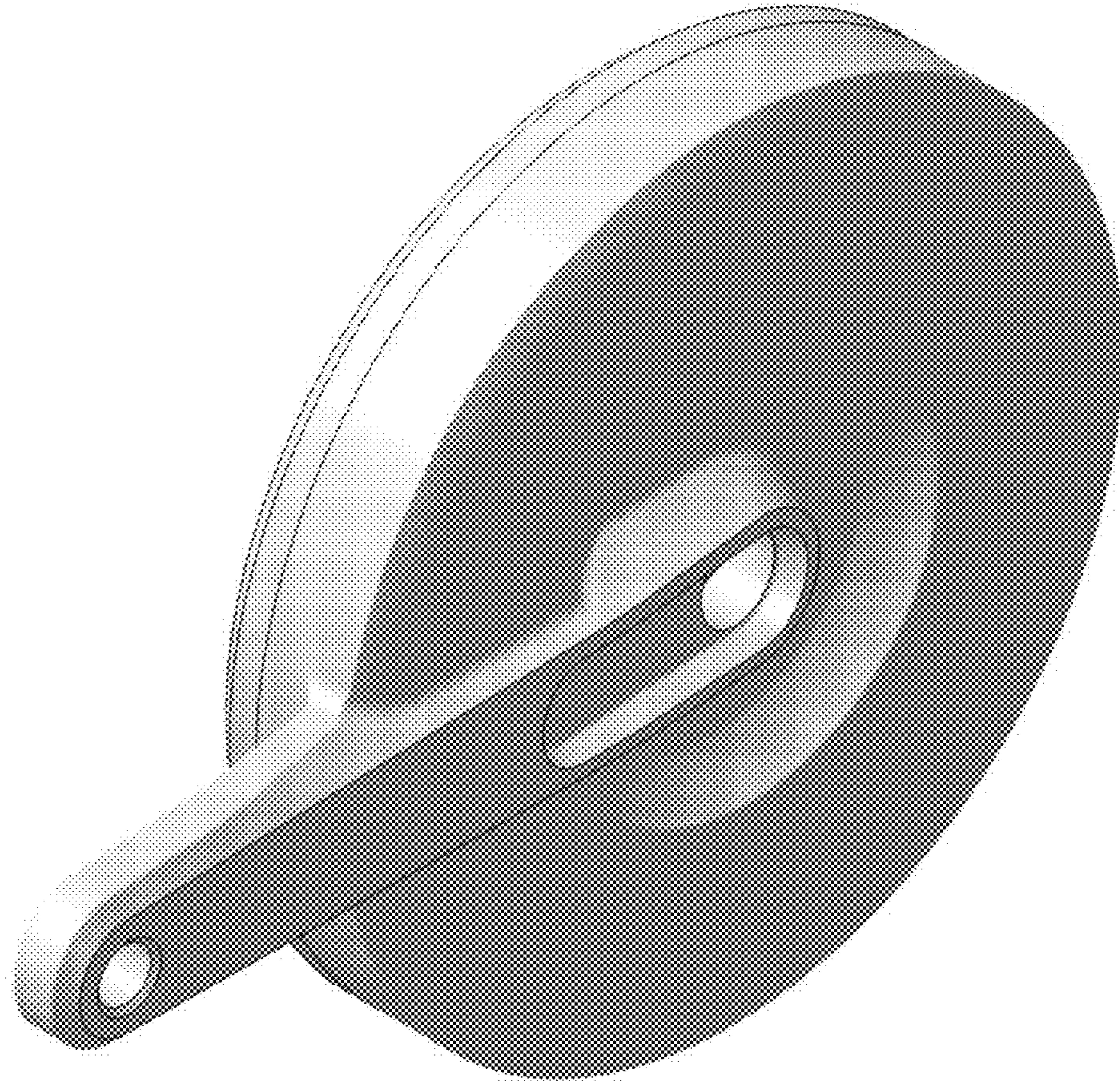


FIG. 4

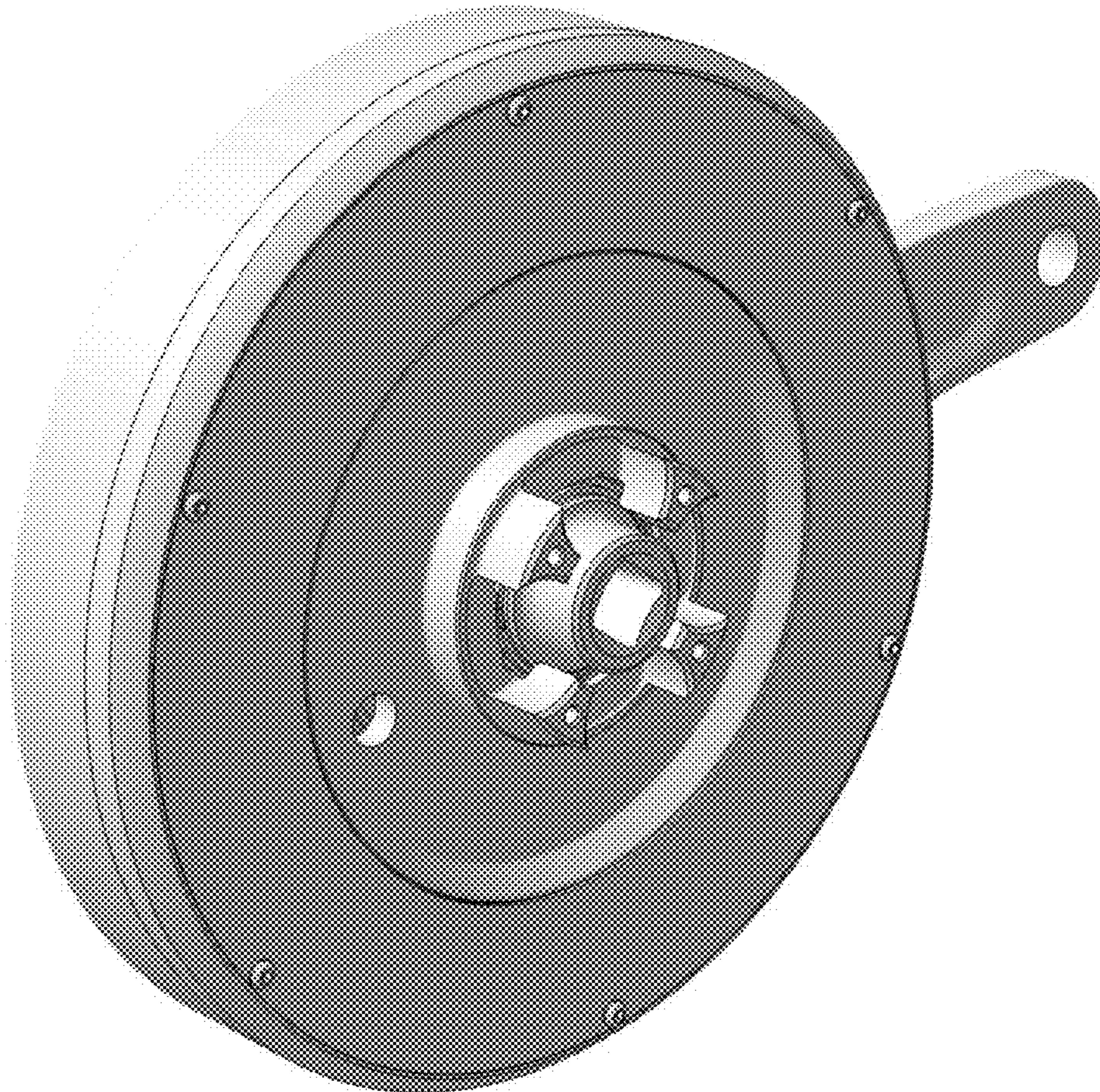


FIG. 5