



US00D750997S

(12) **United States Design Patent**
Pettigrew et al.

(10) **Patent No.:** **US D750,997 S**
(45) **Date of Patent:** **** Mar. 8, 2016**

- (54) **PLANTER**
- (71) Applicant: **The HC Companies, Inc.**, Twinsburg, OH (US)
- (72) Inventors: **Doug Pettigrew**, Wilsonville (CA); **Margot Beesley**, Akron, OH (US)
- (73) Assignee: **The HC Companies, Inc.**, Twinsburg, OH (US)
- (**) Term: **14 Years**
- (21) Appl. No.: **29/497,088**
- (22) Filed: **Jul. 21, 2014**
- (51) **LOC (10) Cl.** **11-02**
- (52) **U.S. Cl.**
USPC **D11/155**
- (58) **Field of Classification Search**
USPC D6/403–405, 675, 683; D11/143–156, D11/164; D7/608, 587; D9/425, 428
CPC A01G 9/00; A01G 9/02; A01G 9/021; A01G 9/022; A01G 9/024; A01G 9/10; A01G 9/04; A01G 9/042; A01G 9/14; A01G 9/16; A01G 31/02; B65D 33/02
See application file for complete search history.

- (56) **References Cited**
U.S. PATENT DOCUMENTS
- | | | | | | |
|-----------|-----|---------|-----------|-------|----------|
| 1,205,028 | A * | 11/1916 | Rudolph | | 47/66.1 |
| 1,627,282 | A * | 5/1927 | Gran | | 220/4.33 |
| 1,915,045 | A * | 6/1933 | Bales | | 220/4.33 |
| D115,009 | S * | 5/1939 | Smith | | D7/565 |
| D150,258 | S * | 7/1948 | Rosenberg | | D11/155 |
| 2,792,142 | A * | 5/1957 | Sandkuhle | | 217/12 R |
| D218,405 | S * | 8/1970 | Wilson | | D11/156 |
| 3,758,986 | A * | 9/1973 | Roberts | | 47/79 |
| 4,219,967 | A * | 9/1980 | Hickerson | | 47/72 |
| 4,457,104 | A * | 7/1984 | Hefner | | 47/73 |

- D394,827 S * 6/1998 Ruthenberg D11/155
- D433,600 S * 11/2000 Hollinger D7/565
- D480,326 S * 10/2003 Carlson D11/155
- D552,319 S * 10/2007 Gusdorf D34/1
- D578,830 S * 10/2008 Freeman D7/586
- D578,930 S * 10/2008 White D11/155
- D579,375 S * 10/2008 White D11/155
- D587,165 S * 2/2009 White D11/152
- D596,074 S * 7/2009 Bodum D11/155
- 7,565,766 B2 * 7/2009 Boylan 47/65.5
- D599,609 S * 9/2009 Ruffoni D7/354
- D629,246 S * 12/2010 Ruffoni D7/354
- D631,390 S * 1/2011 Izardel D11/144
- D631,782 S * 2/2011 White D11/155
- D651,729 S * 1/2012 Arslanian D26/9
- D653,162 S * 1/2012 Moore et al. D11/155
- D665,300 S * 8/2012 Pedersen et al. D11/155
- D667,151 S * 9/2012 Arslanian D26/9
- 8,453,379 B1 * 6/2013 Kumar 47/66.6
- D720,252 S * 12/2014 Burt D11/144
- 9,003,700 B2 * 4/2015 Kumar 47/39
- 2011/0203175 A1 * 8/2011 Horito et al. 47/65.6

* cited by examiner

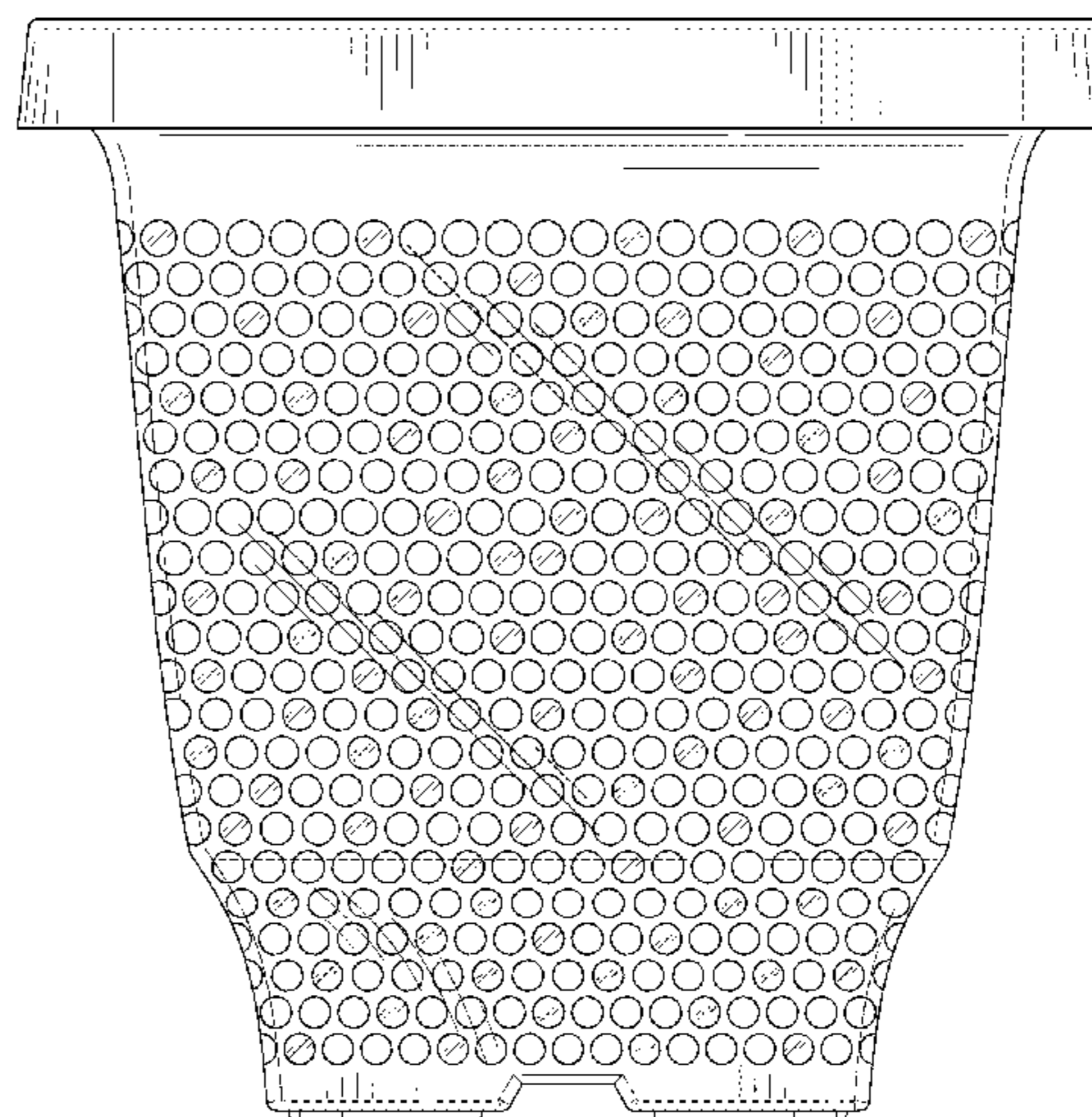
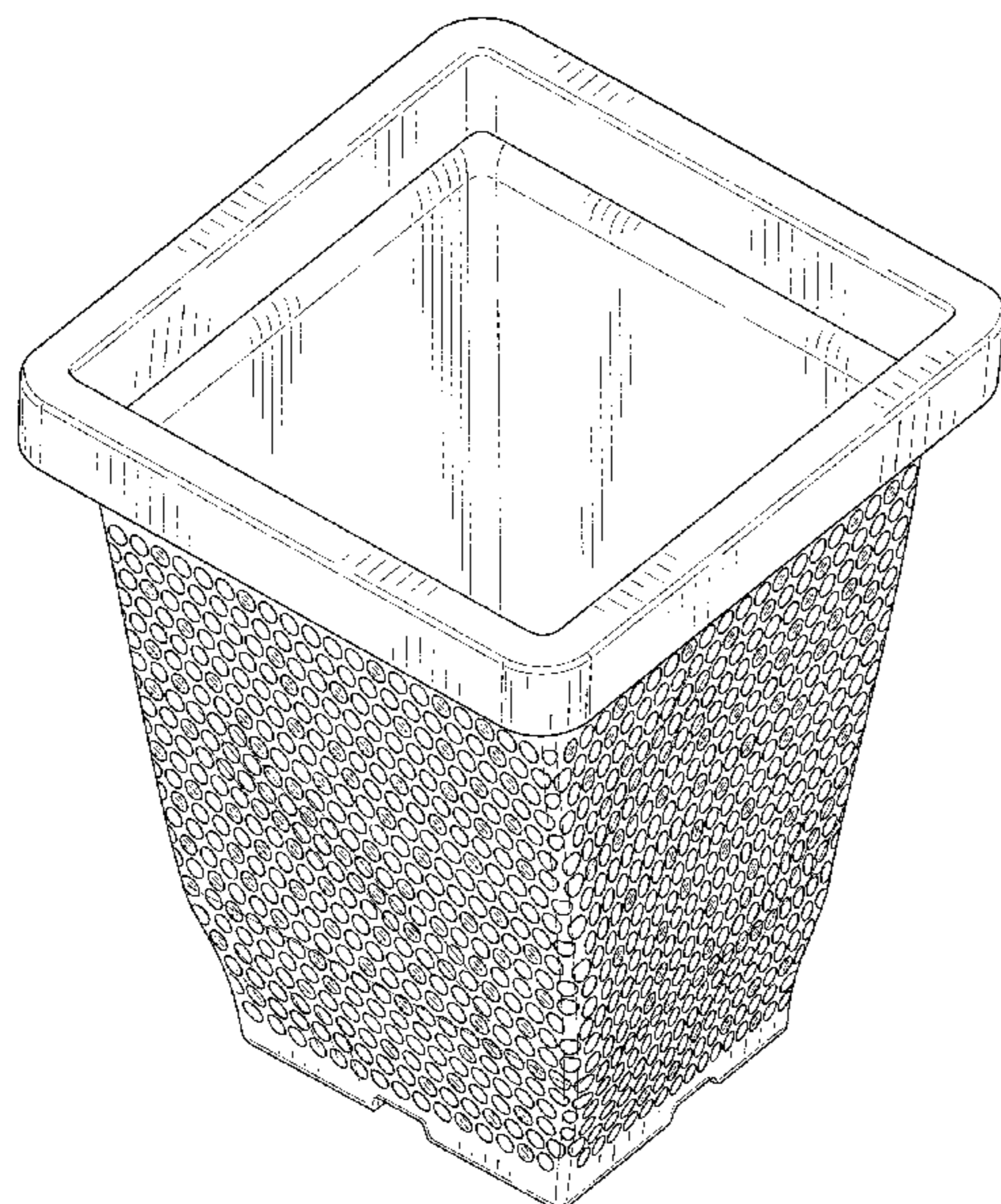
Primary Examiner — Elizabeth Albert
(74) *Attorney, Agent, or Firm* — Tucker Ellis LLP

(57) **CLAIM**
What is claimed is the ornamental design for a planter, as shown and described.

DESCRIPTION

FIG. 1 is a perspective view of a planter showing a new design;
FIG. 2 is a front view of the planter of FIG. 1;
FIG. 3 is a side view of the planter of FIG. 1;
FIG. 4 is a top view of the planter of FIG. 1; and,
FIG. 5 is a bottom view of the planter of FIG. 1.
The portions of the planter shown in broken lines are included for the purpose of showing features that form no part of the claimed design.

1 Claim, 5 Drawing Sheets



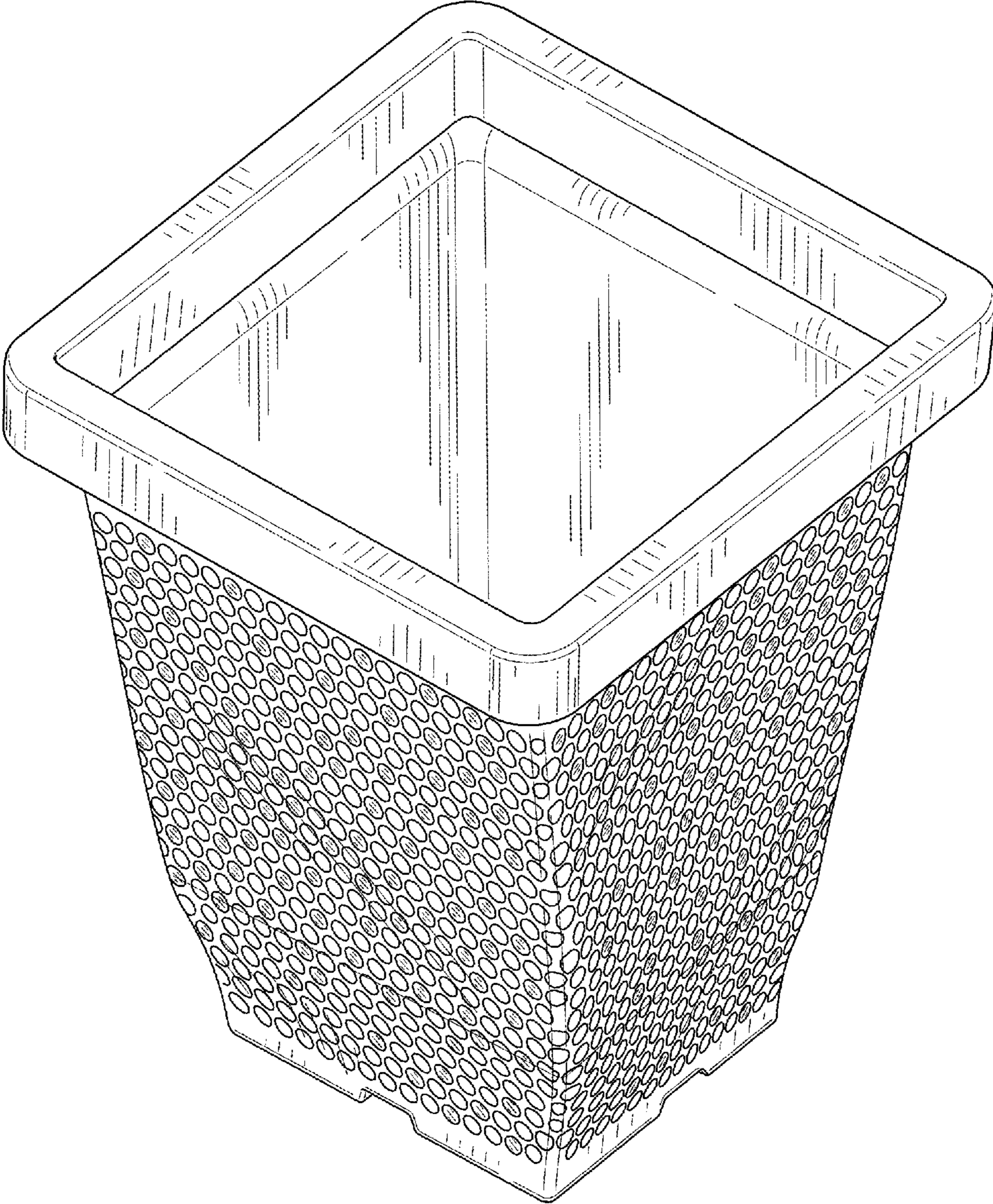


FIG. 1

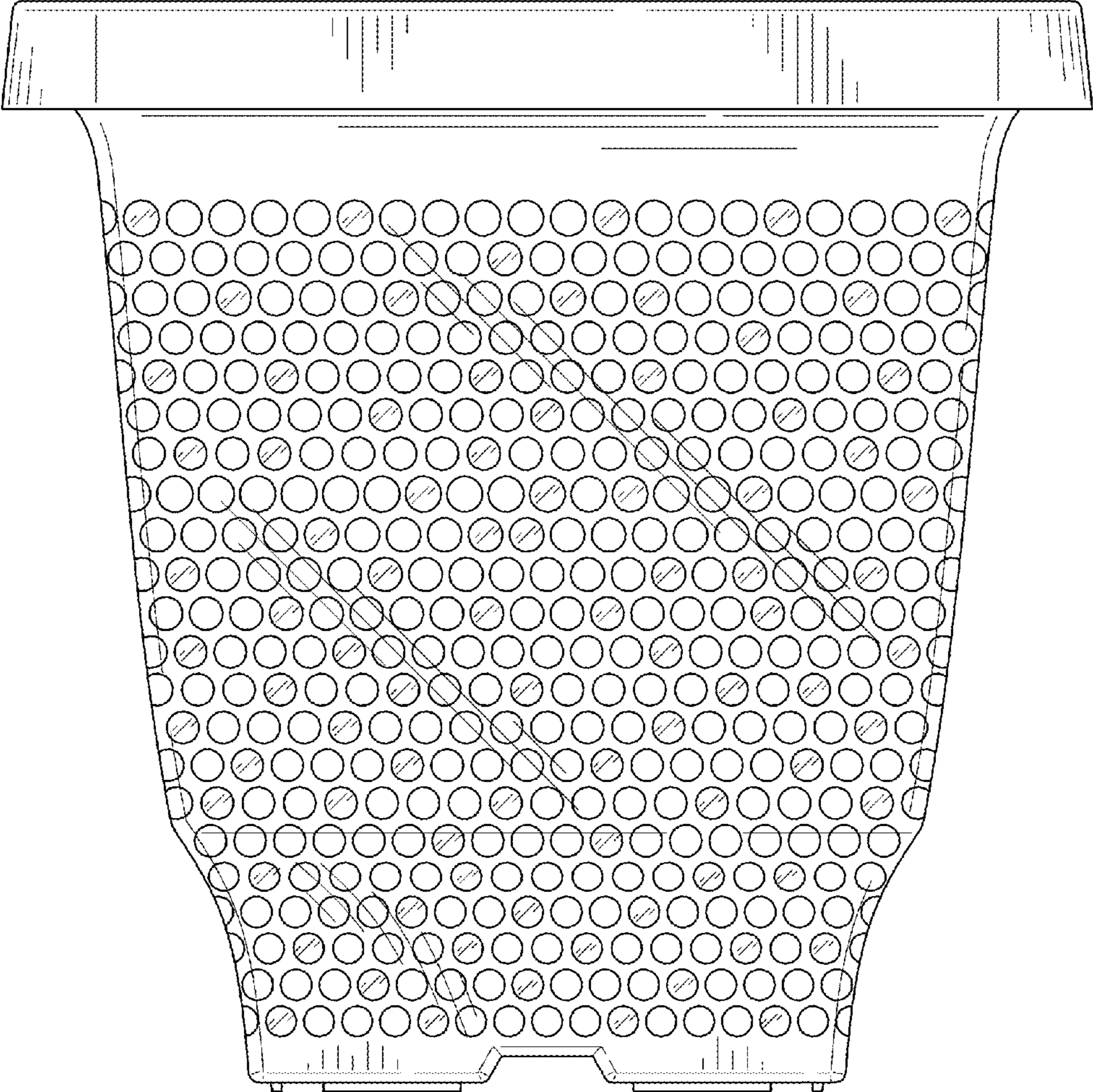


FIG. 2

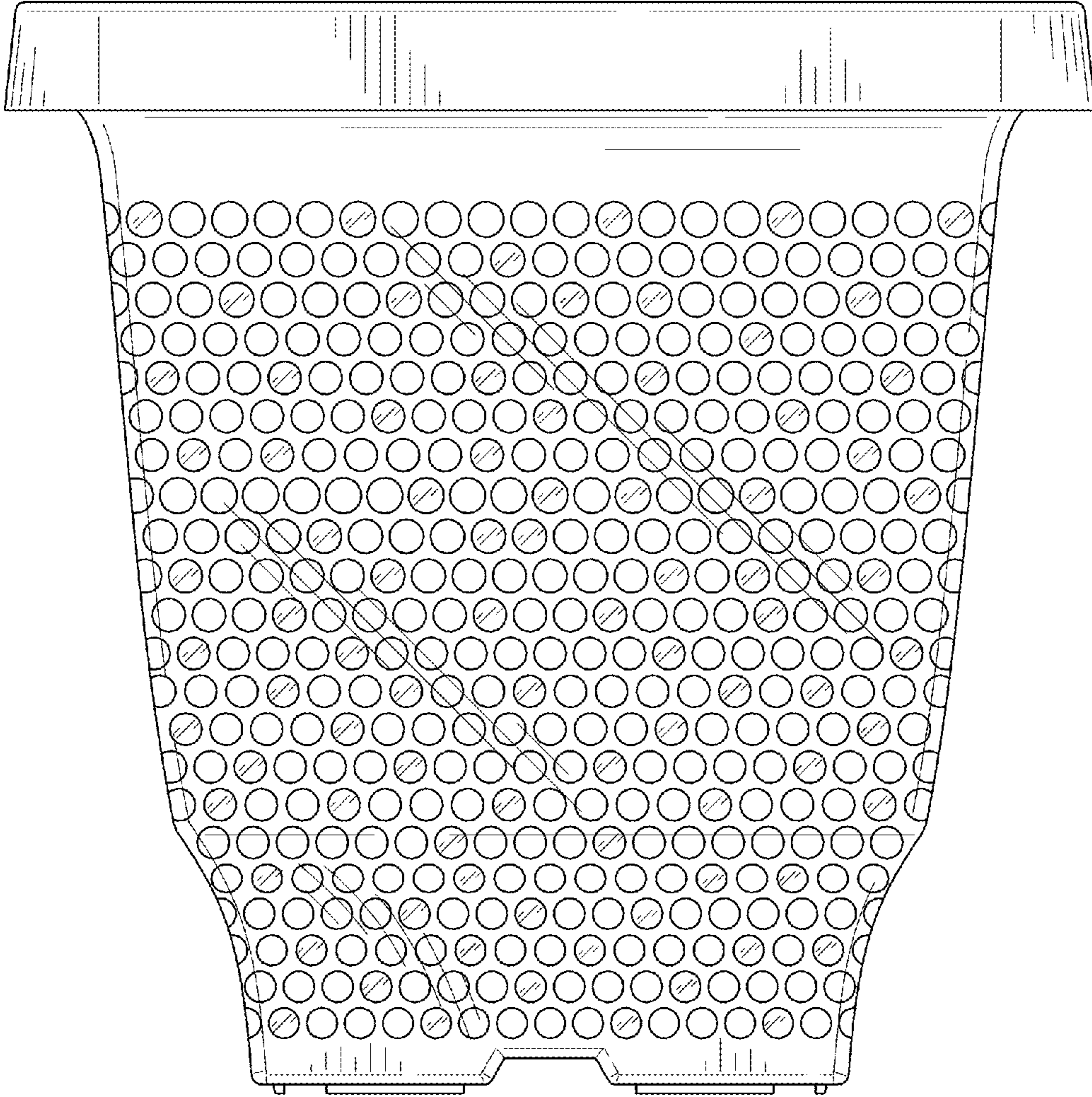


FIG. 3

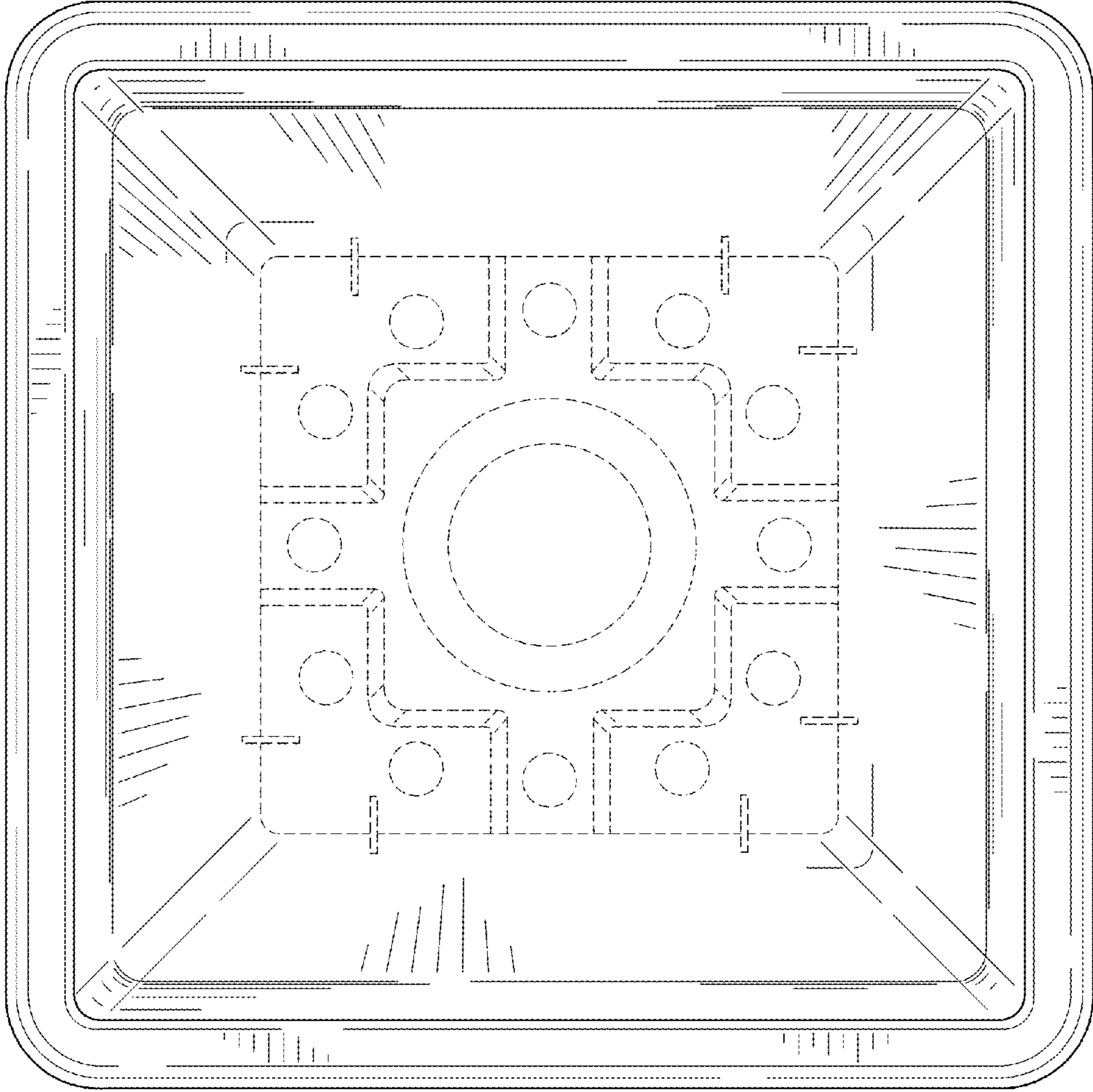


FIG. 4

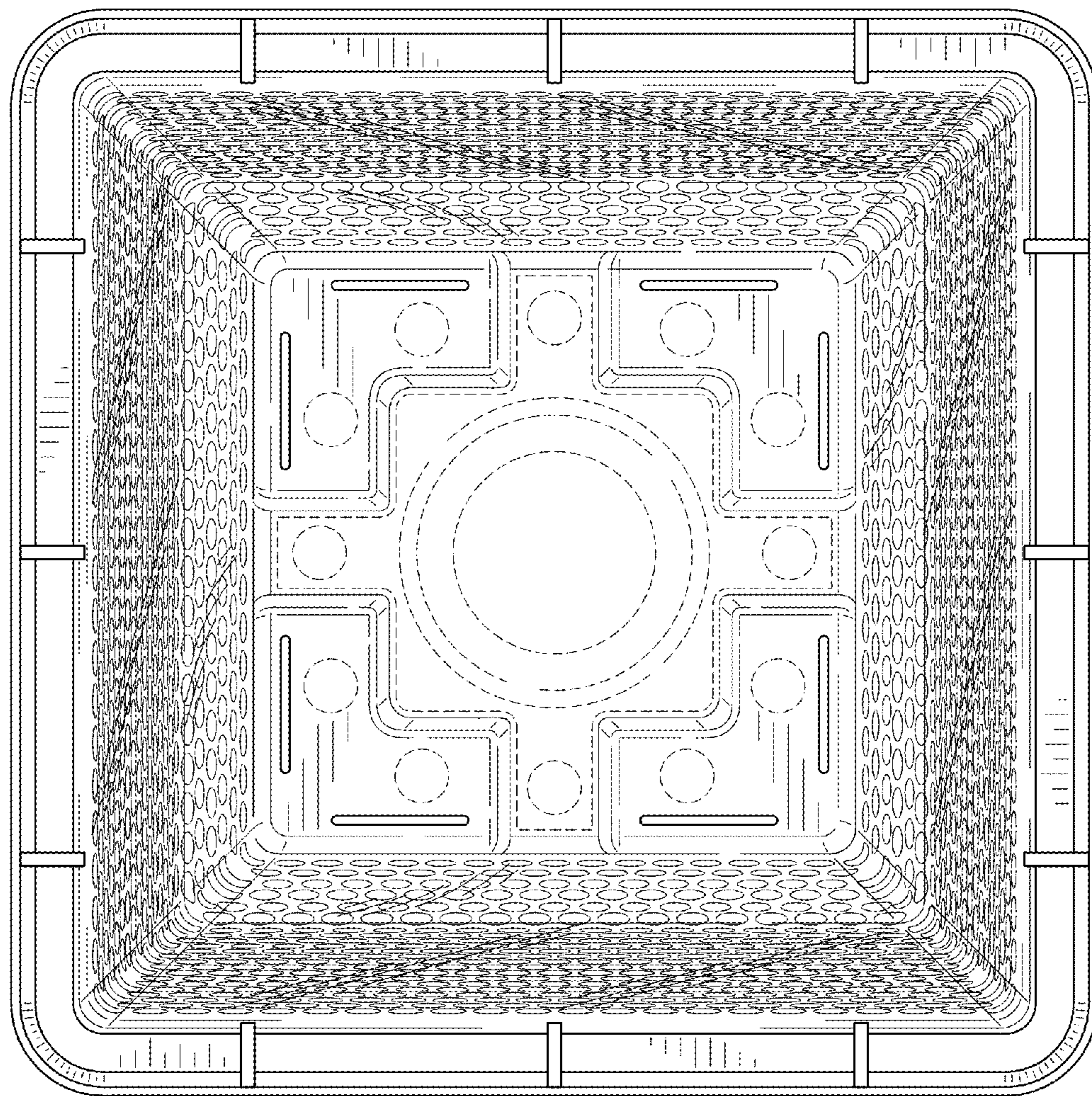


FIG. 5