



US00D750996S

(12) **United States Design Patent**
Butler et al.

(10) **Patent No.:** **US D750,996 S**
(45) **Date of Patent:** **** Mar. 8, 2016**

- (54) **HYDROPONIC FLOOD TABLE**
- (71) Applicants: **Gregory Scott Butler**, Lapeer, MI (US);
William Martin Willemsen, Waterford, MI (US)
- (72) Inventors: **Gregory Scott Butler**, Lapeer, MI (US);
William Martin Willemsen, Waterford, MI (US)
- (73) Assignee: **GrowTech, LLC**, Lapeer, MI (US)
- (**) Term: **14 Years**

4,355,484	A *	10/1982	Mandish	47/63
D272,329	S *	1/1984	Clemmons, Jr.	D11/147
5,440,836	A	8/1995	Lee	
5,581,936	A *	12/1996	Belgiorno	47/65.5
6,067,750	A	5/2000	Lai	
6,092,333	A	7/2000	Steffan	
D487,035	S	2/2004	Bellavics	
D590,296	S	4/2009	Kurtz	
D623,085	S *	9/2010	Rackley et al.	D11/144
D654,162	S *	2/2012	Sykes	D23/393
8,132,365	B2 *	3/2012	Mischo	47/65.9
D726,585	S *	4/2015	Schall	D11/155
D727,791	S *	4/2015	Montagano	D11/155
2003/0014915	A1	1/2003	Holmberg	
2004/0025429	A1	2/2004	Houweling	
2013/0019527	A1	1/2013	Howe-Sylvain	

- (21) Appl. No.: **29/487,058**
- (22) Filed: **Apr. 4, 2014**
- (51) **LOC (10) Cl.** **11-02**
- (52) **U.S. Cl.**
USPC **D11/155**
- (58) **Field of Classification Search**
USPC D3/304; D6/403-405, 675, 683;
D9/425, 428; D11/143-156, 164;
D25/15
CPC A01G 9/00; A01G 9/02; A01G 9/021;
A01G 9/022; A01G 9/024; A01G 9/10;
A01G 9/04; A01G 9/042; A01G 9/14; A01G
9/16; B65D 33/02
See application file for complete search history.

FOREIGN PATENT DOCUMENTS

GB	2269732	2/1994
JP	3180721	1/2013

* cited by examiner

Primary Examiner — Elizabeth Albert
(74) *Attorney, Agent, or Firm* — Warn Partners, P.C.

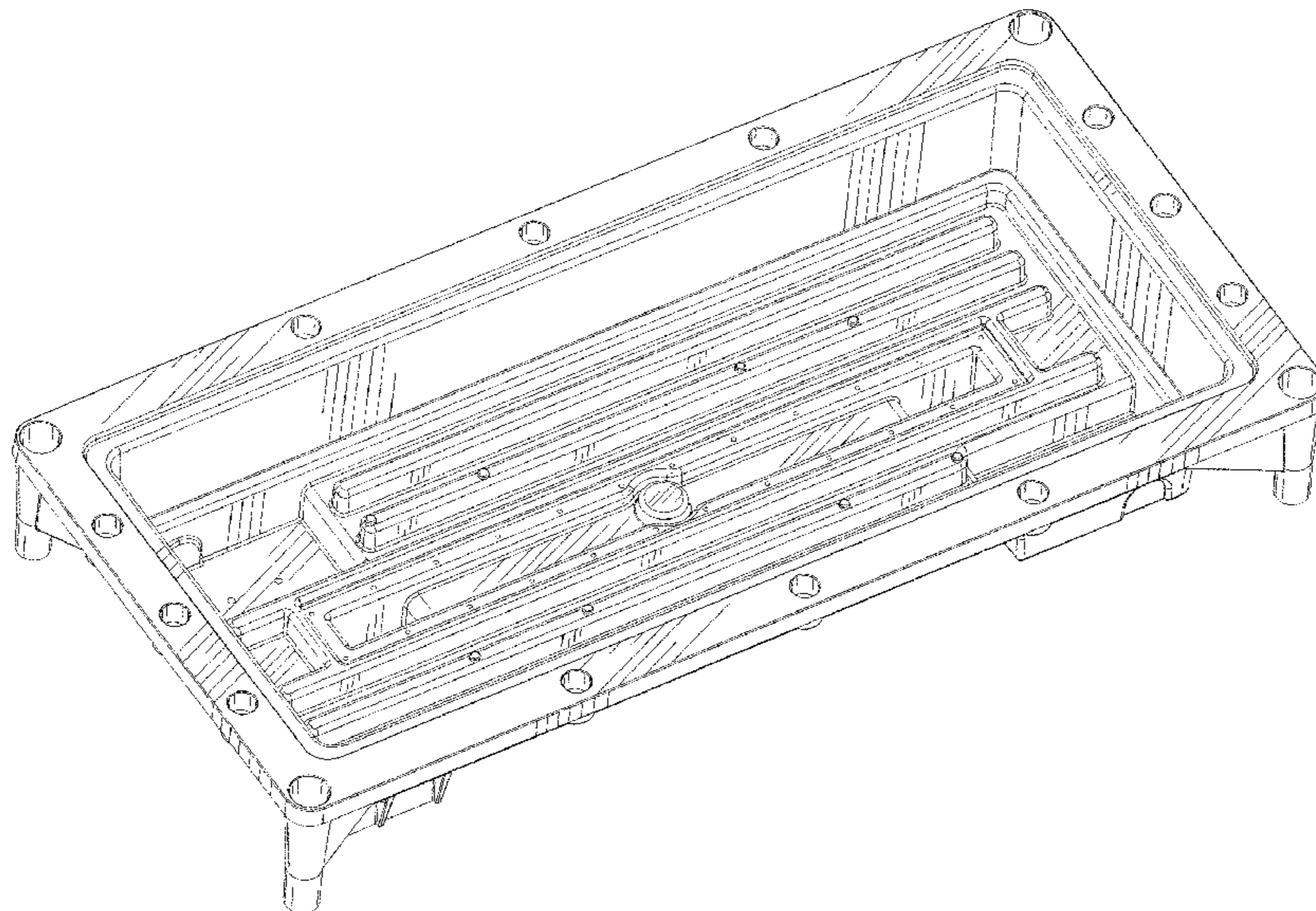
(57) **CLAIM**
The ornamental design for a hydroponic flood table, as shown and described.

DESCRIPTION

FIG. 1 is a top perspective view of a hydroponic flood table showing our new design;
FIG. 2 is a top plan view thereof;
FIG. 3 is a front or back elevation view thereof; and,
FIG. 4 is a left or right side elevation view thereof.
The broken lines showing part of the bottom in FIGS. 3 and 4 are included for the purpose of showing portions that form no part of the claimed design.

1 Claim, 3 Drawing Sheets

- (56) **References Cited**
U.S. PATENT DOCUMENTS
1,983,806 A * 12/1934 Norman 47/18
D192,036 S * 1/1962 Raymond D7/552.1
D218,629 S * 9/1970 Hasselbach D11/156
3,751,852 A * 8/1973 Schrepper 47/87
3,992,809 A 11/1976 Chew
D259,867 S 7/1981 Kenyon et al.
4,349,124 A * 9/1982 Faller 229/122.32



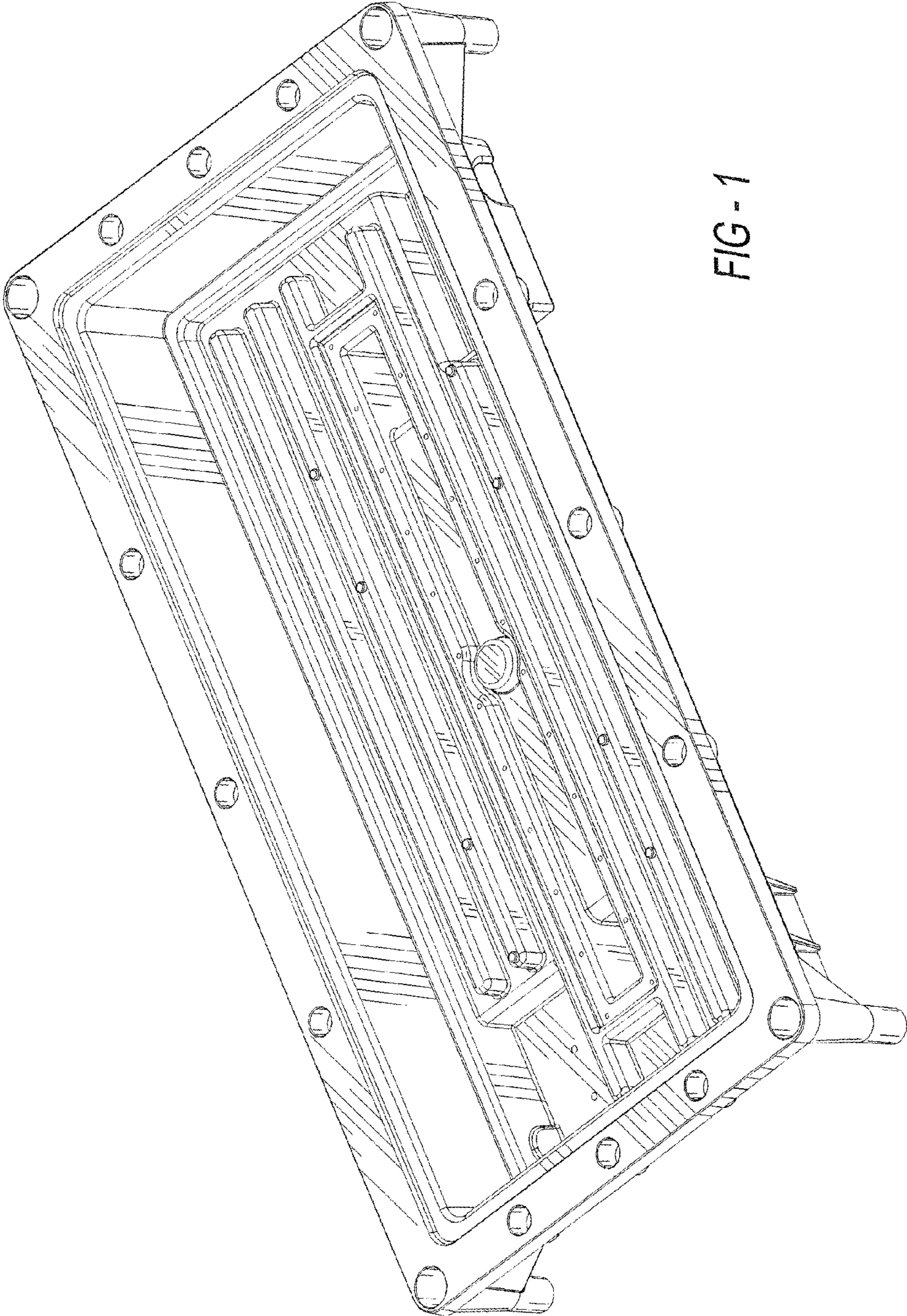


FIG - 1

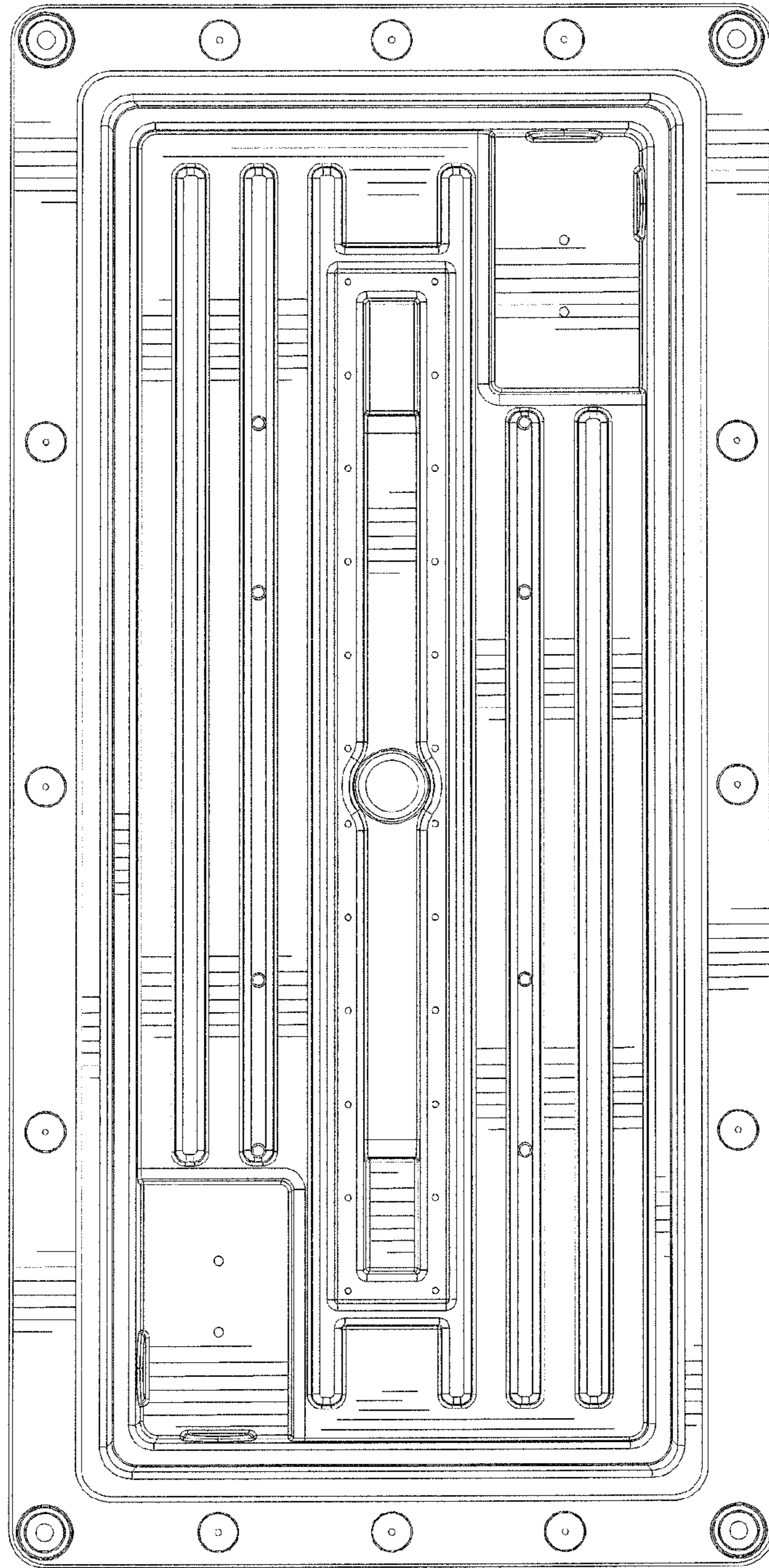


FIG - 2

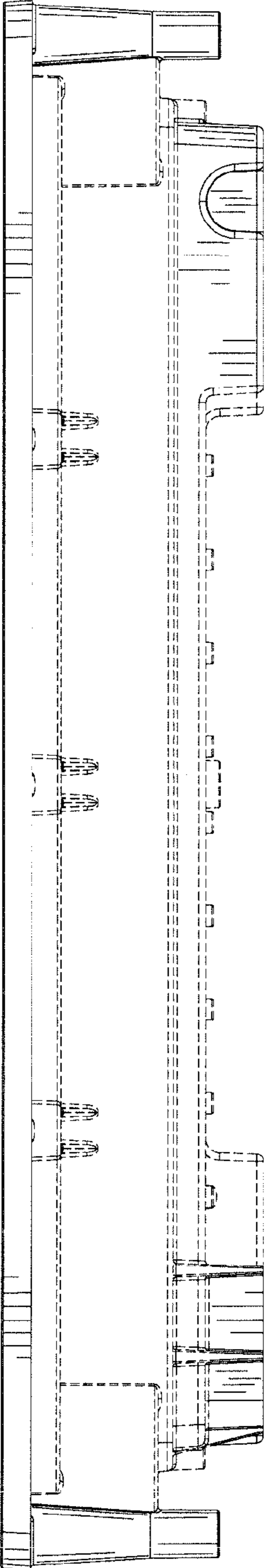


FIG - 3

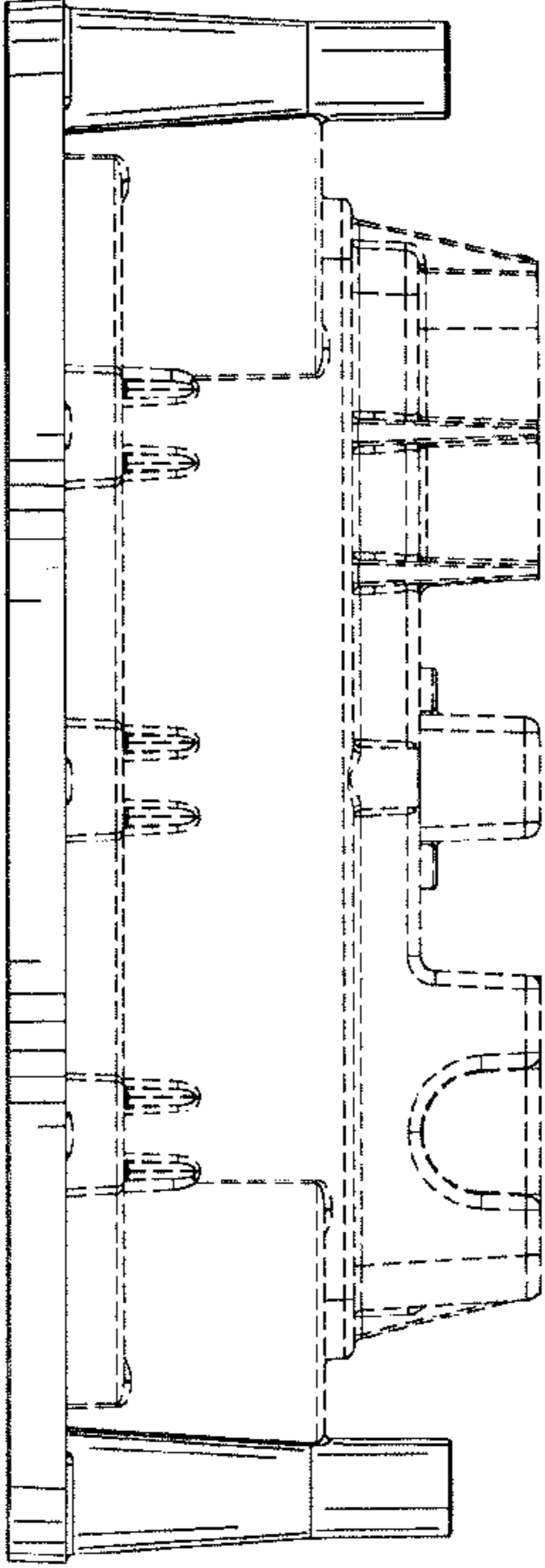


FIG - 4