



US00D750992S

(12) **United States Design Patent**  
**Perez**

(10) **Patent No.:** **US D750,992 S**  
(45) **Date of Patent:** **\*\* Mar. 8, 2016**

(54) **WIRELESS SIGNAL SENSOR**  
(71) Applicant: **Nokia Corporation**, Espoo (FI)  
(72) Inventor: **Jose Perez**, Helsinki (FI)  
(73) Assignee: **MICROSOFT MOBILE OY**, Espoo (FI)

D394,408 S \* 5/1998 Davila ..... D10/106.1  
D404,670 S \* 1/1999 Jackson et al. .... D10/106.1  
D407,032 S \* 3/1999 McDonald ..... D10/104.1  
D410,029 S \* 5/1999 Melnick ..... D19/168  
D421,882 S \* 3/2000 Mattei ..... D8/29  
D430,981 S \* 9/2000 Walls, Jr. .... D6/661  
D436,878 S \* 1/2001 Vassell ..... D10/104.1  
D440,592 S \* 4/2001 Brickus et al. .... D16/211  
D441,352 S \* 5/2001 Kuo ..... D14/217

(\*\*) Term: **14 Years**

(Continued)

(21) Appl. No.: **29/484,861**

OTHER PUBLICATIONS

(22) Filed: **Mar. 13, 2014**

Wireless RF Signal Bug Detector, image post date Nov. 29, 2009, site visited May 27, 2015, (online), <<http://www.amazon.com/Professional-Wireless-Signal-Bug-Detector/dp/B000AXH7MG>>.\*

(51) **LOC (10) Cl.** ..... **10-05**

(Continued)

(52) **U.S. Cl.**

USPC ..... **D10/104.1**

(58) **Field of Classification Search**

USPC ..... D26/9, 10, 12, 13, 15, 16, 24, 51, 61,  
D26/72, 76, 80, 81, 85, 86, 88, 90, 113, 118,  
D26/119, 120, 122, 128, 129, 138, 143,  
D26/144; D13/180; D10/18, 21, 24, 25, 27,  
D10/28, 46, 93, 104.1, 113, 114, 116.1;  
D17/99

*Primary Examiner* — Kevin Rudzinski

*Assistant Examiner* — Sean D Lough

(74) *Attorney, Agent, or Firm* — Banner & Witcoff, Ltd.

CPC ..... B60Q 1/04; B60Q 1/26; F21S 8/026;  
F21S 8/04; F21V 29/004; F21V 21/02;  
F21V 21/04; F21V 29/2212; F21Y 2101/02

(57) **CLAIM**

The ornamental design for a wireless signal sensor, as shown and described.

See application file for complete search history.

**DESCRIPTION**

(56) **References Cited**

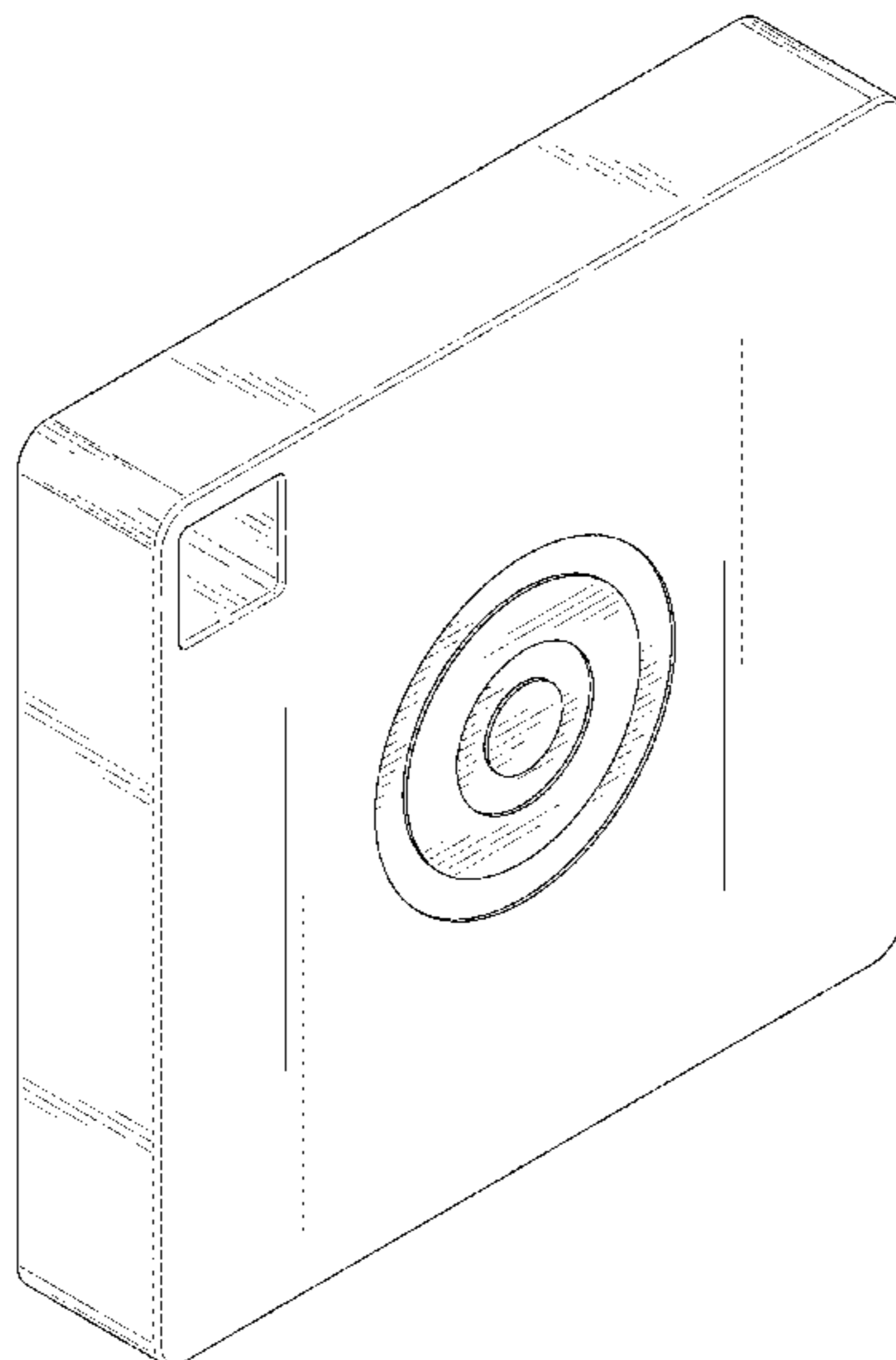
U.S. PATENT DOCUMENTS

D261,118 S \* 10/1981 Perhacs, Jr. .... D10/121  
D296,704 S \* 7/1988 Goins ..... D17/18  
D297,316 S \* 8/1988 Mastro ..... D10/106.2  
D313,567 S \* 1/1991 Henry et al. .... D10/106.1  
D317,933 S \* 7/1991 Yoshitake ..... D17/99  
D334,765 S \* 4/1993 Dunn et al. .... D17/99  
D345,314 S \* 3/1994 Chandra ..... D14/185  
D386,100 S \* 11/1997 Thibault ..... D10/106.1  
D386,704 S \* 11/1997 Chang ..... D10/106.1  
5,744,736 A \* 4/1998 Chang ..... 84/402

FIG. 1 is a top left front perspective view of a wireless signal sensor showing my new design;  
FIG. 2 is a bottom right front perspective view thereof;  
FIG. 3 is a front view thereof;  
FIG. 4 is a rear view thereof;  
FIG. 5 is a left side view thereof;  
FIG. 6 is a right side view thereof;  
FIG. 7 is a top view thereof; and,  
FIG. 8 is a bottom view thereof.

The broken lines (where present) in FIG. 4 illustrate portions of the wireless signal sensor that form no part of the claimed design.

**1 Claim, 6 Drawing Sheets**



(56)

References Cited

U.S. PATENT DOCUMENTS

D469,797 S \* 2/2003 Pientka ..... D17/9  
D487,905 S \* 3/2004 Nelson et al. .... D17/99  
D533,105 S \* 12/2006 Lach ..... D11/131  
D535,578 S \* 1/2007 Sinkfield ..... D10/104.1  
D561,724 S \* 2/2008 Kim et al. .... D14/138 AD  
D568,378 S \* 5/2008 Nakao et al. .... D17/22  
D601,512 S \* 10/2009 Valoz ..... D13/164  
D608,339 S \* 1/2010 Sanders ..... D14/188  
D633,147 S \* 2/2011 Parshad ..... D19/86  
D646,334 S \* 10/2011 Ingram ..... D21/303  
D647,896 S \* 11/2011 Chen et al. .... D14/314  
D653,138 S \* 1/2012 Taylor et al. .... D10/106.2  
D660,827 S \* 5/2012 Sakata ..... D14/225

D663,881 S \* 7/2012 Janssen ..... D26/74  
D671,335 S \* 11/2012 Nakao ..... D6/678.4  
D679,743 S \* 4/2013 Coco ..... D17/20  
D711,275 S \* 8/2014 Scalisi ..... D10/118.1  
D724,462 S \* 3/2015 Bould et al. .... D10/106.2  
D726,035 S \* 4/2015 Perez et al. .... D10/65  
D727,761 S \* 4/2015 Abe et al. .... D10/80

OTHER PUBLICATIONS

Captain America's Shield Standard design employed during the Silver Age, image available 1956 to circa 1970, site visited Oct. 30, 2014, (online), <[http://marvel.wikia.com/Captain\\_America's\\_Shield](http://marvel.wikia.com/Captain_America's_Shield)>.\*

\* cited by examiner

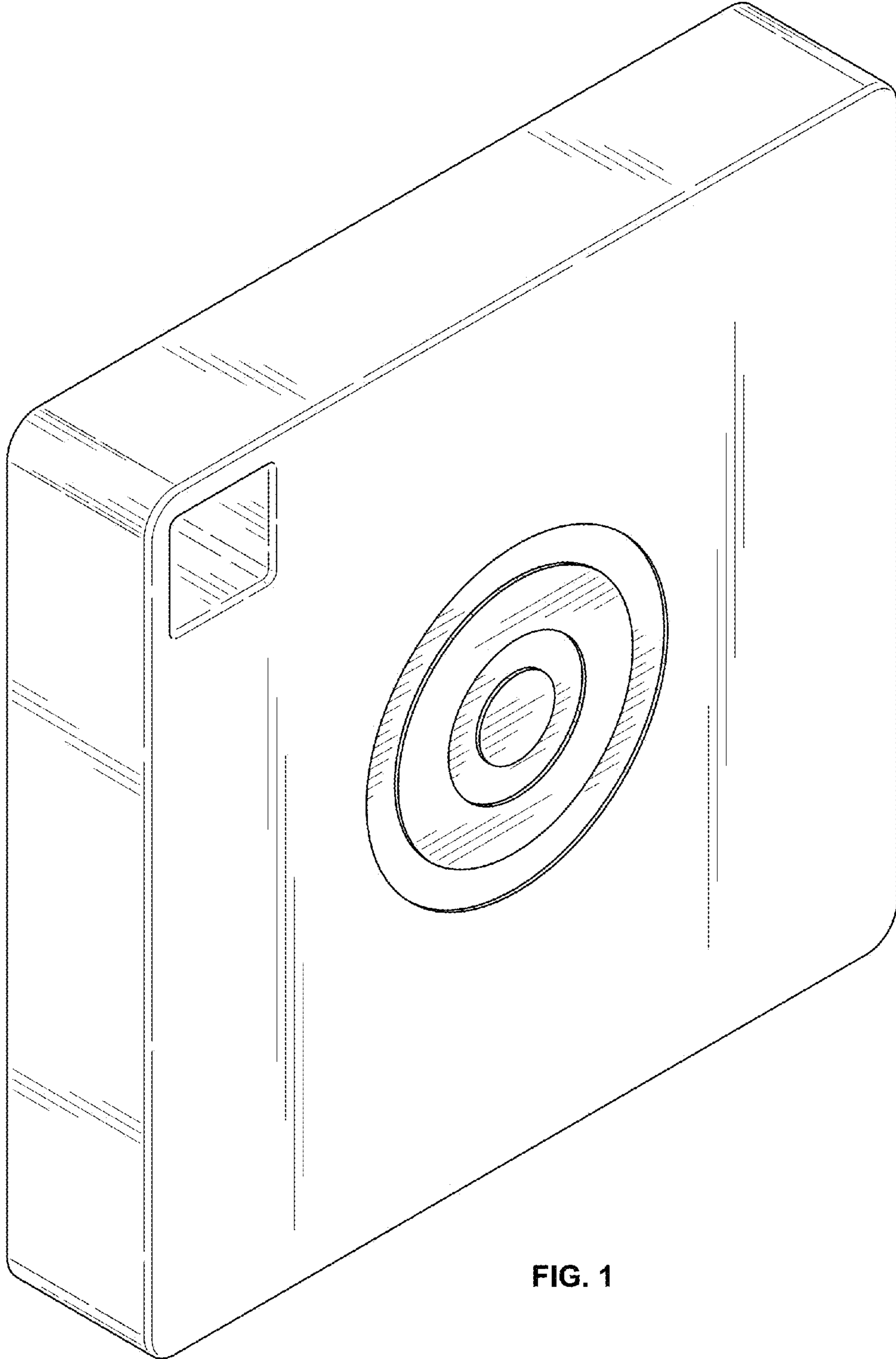


FIG. 1

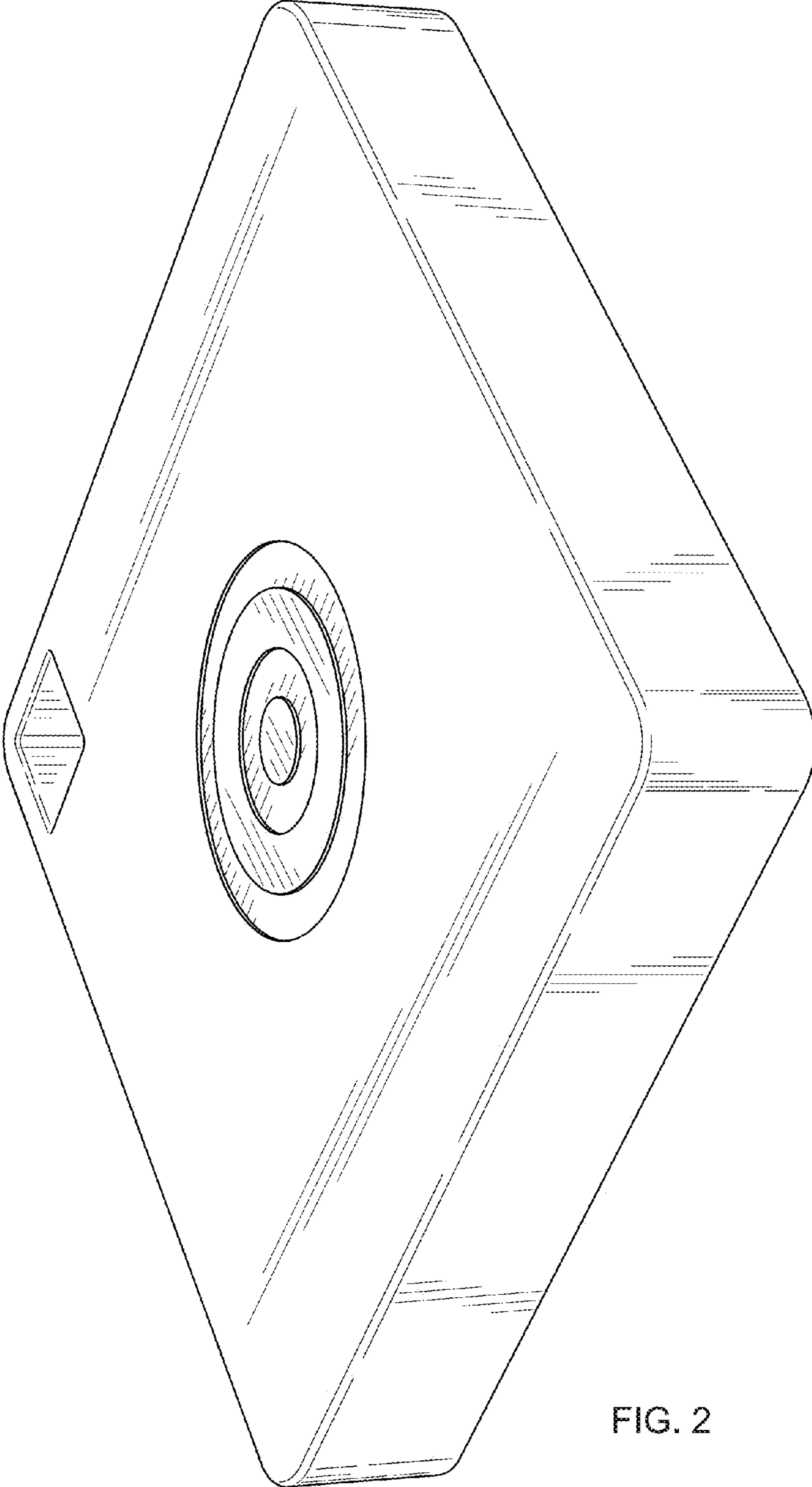


FIG. 2

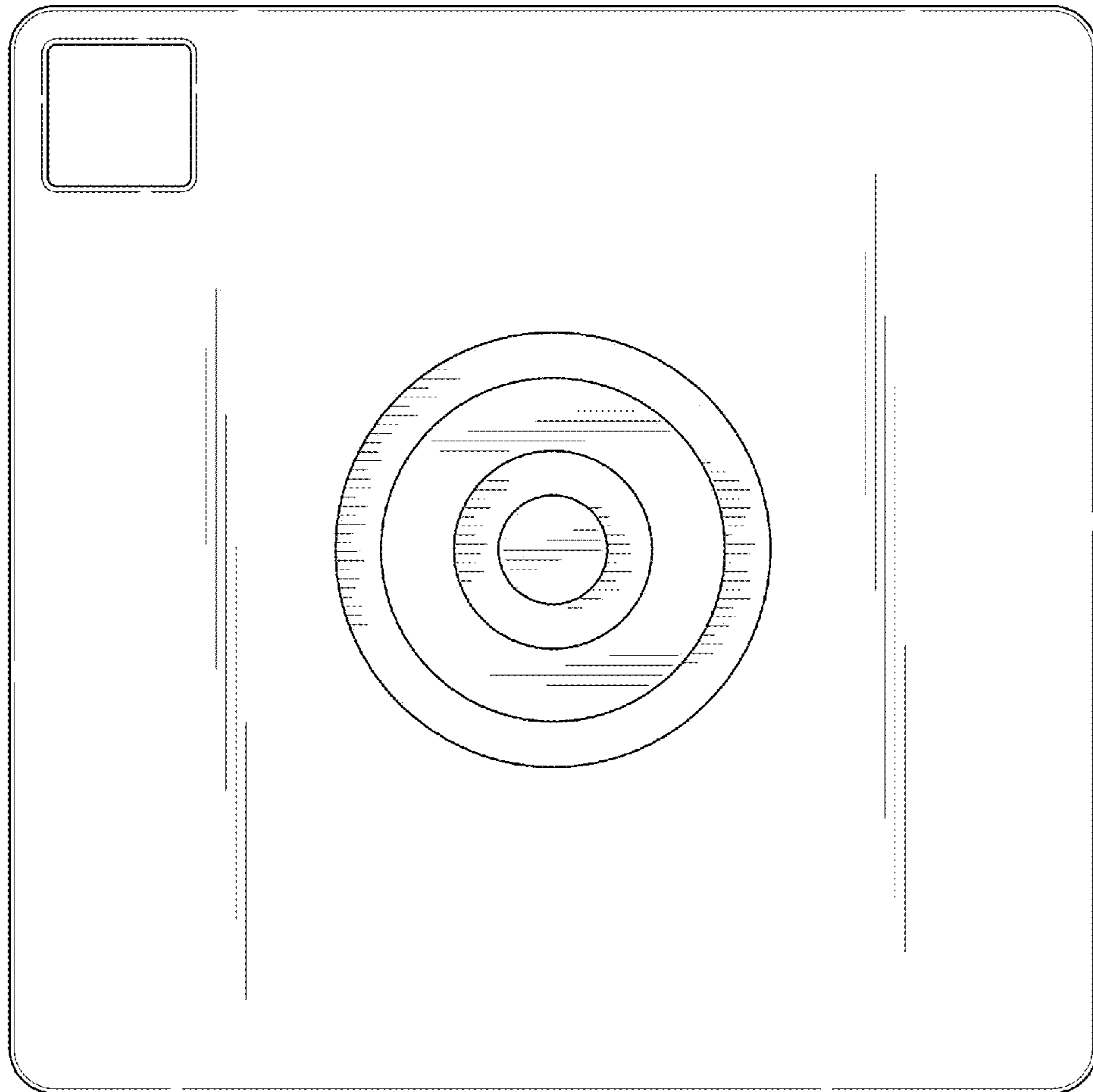


FIG. 3

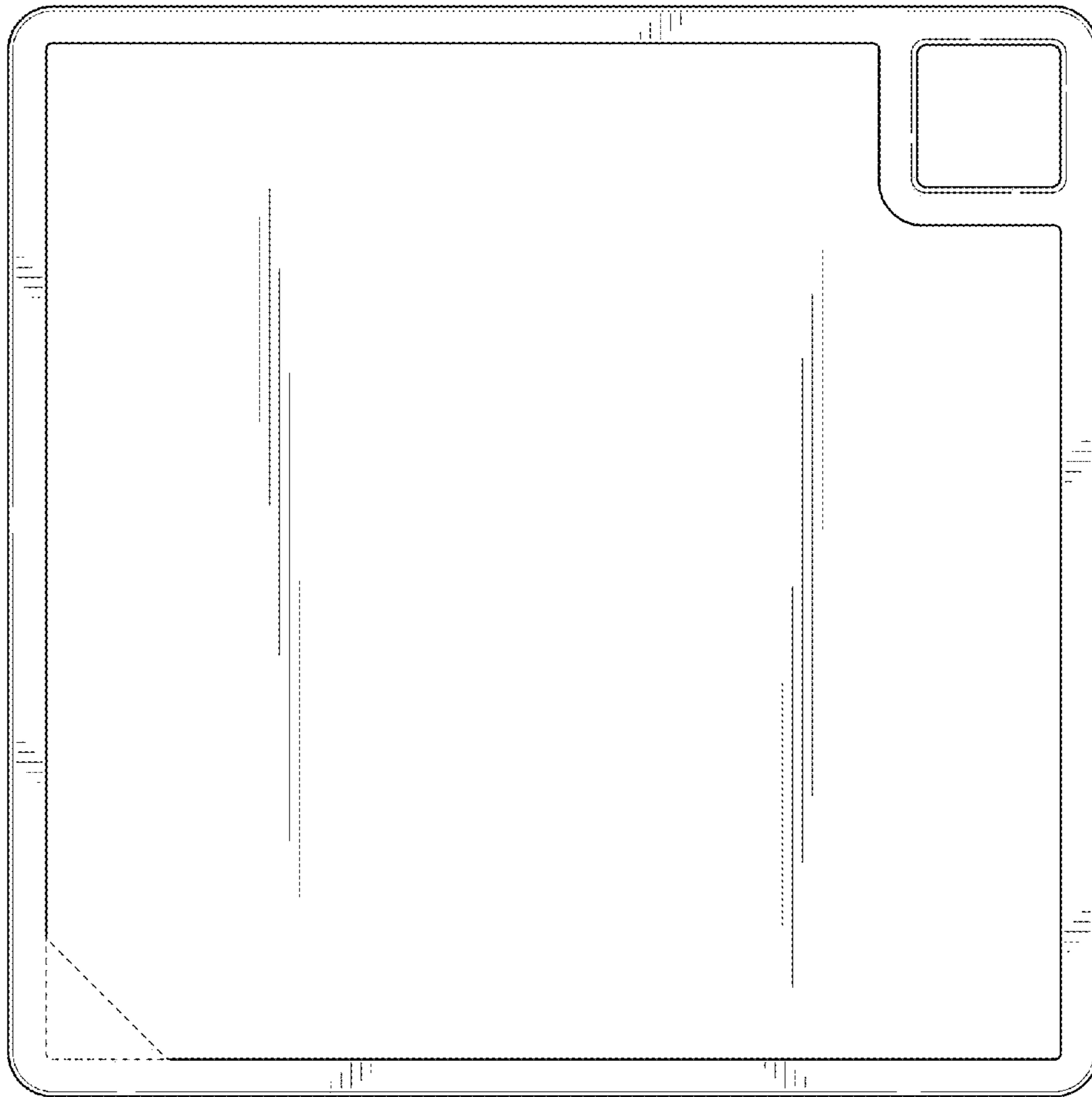


FIG. 4

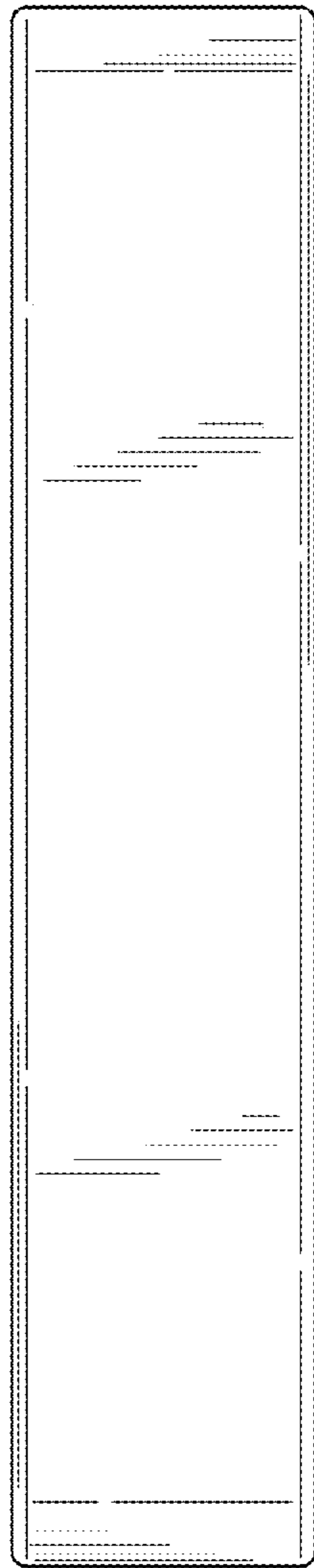


FIG. 5

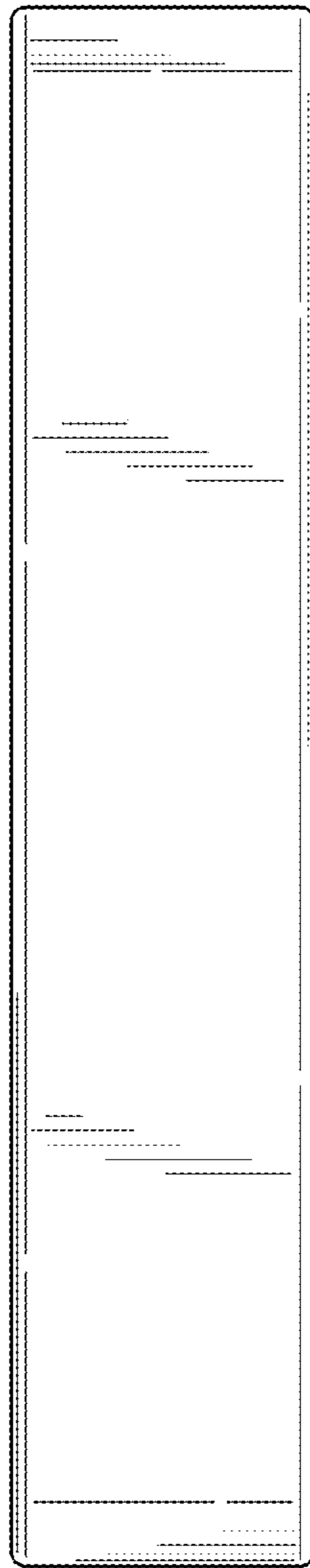


FIG. 6

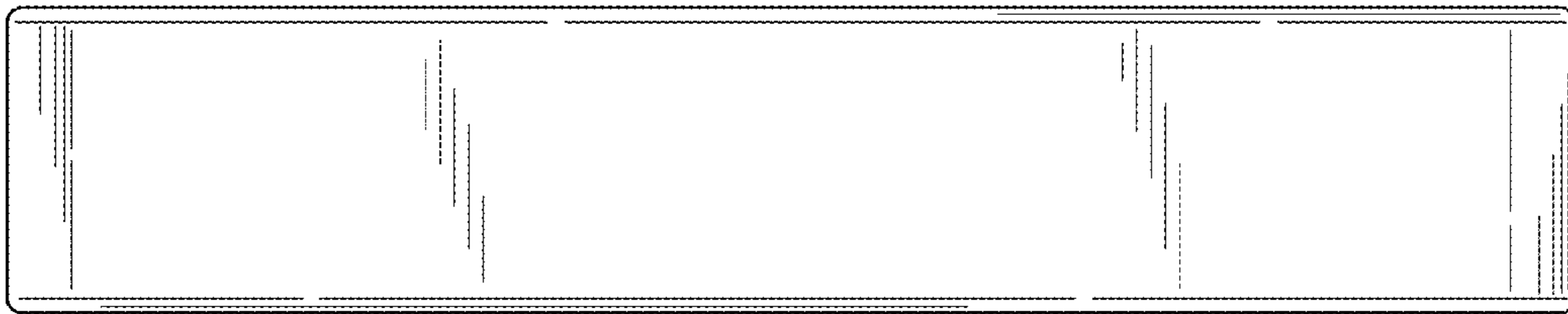


FIG. 7

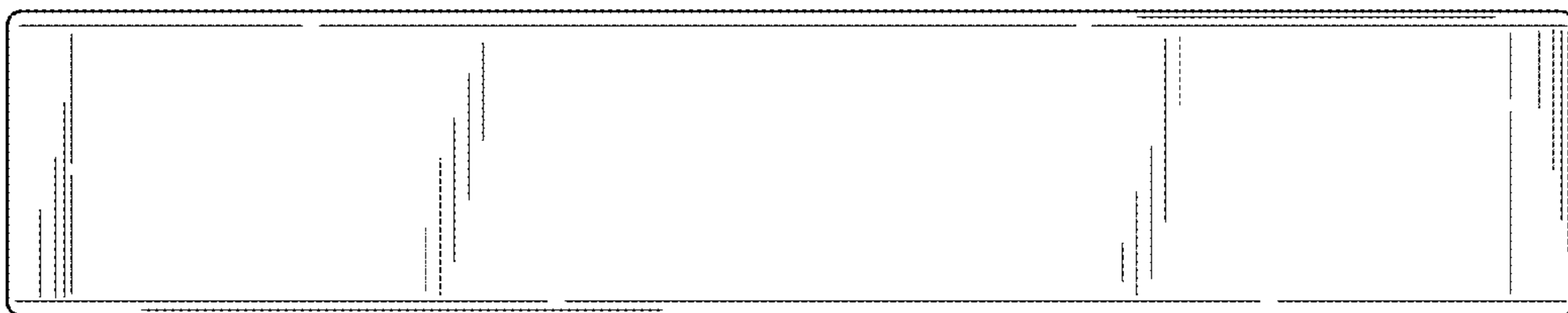


FIG. 8