

US00D750991S

(12) **United States Design Patent**
Ettlin

(10) **Patent No.:** **US D750,991 S**
(45) **Date of Patent:** **** Mar. 8, 2016**

(54) **ANALYTICAL APPARATUS FOR DRUG TESTING**

(71) Applicant: **Sulzer Mixpac AG**, Haag (CH)

(72) Inventor: **Josef Ettlin**, Eichberg (CH)

(73) Assignee: **SULZER MIXPAC AG**, Haag (CH)

(**) Term: **14 Years**

(21) Appl. No.: **29/514,510**

(22) Filed: **Jan. 13, 2015**

Related U.S. Application Data

(62) Division of application No. 29/462,691, filed on Aug. 7, 2013, now Pat. No. Des. 729,401.

(30) **Foreign Application Priority Data**

Feb. 12, 2013 (CH) 139 636

(51) **LOC (10) Cl.** **10-04**

(52) **U.S. Cl.**
USPC **D10/81; D24/223**

(58) **Field of Classification Search**
USPC D10/81, 103; D24/216, 223, 224, 227
CPC B65D 81/3211; B65D 81/3255; B05C 17/00503; B05C 17/01

See application file for complete search history.

(56) **References Cited**

U.S. PATENT DOCUMENTS

D414,270 S * 9/1999 Escoffier D24/216
6,511,301 B1 * 1/2003 Fugere B05C 11/10
222/251

* cited by examiner

Primary Examiner — Antoine D Davis

(74) *Attorney, Agent, or Firm* — Global IP Counselors, LLP

(57) **CLAIM**

The ornamental design for an analytical apparatus for drug testing, as shown and described.

DESCRIPTION

FIG. 1 illustrates a side view of an analytical apparatus for drug testing showing an embodiment of my new design; FIG. 2 illustrates a front view thereof; FIG. 3 illustrates a side view thereof; FIG. 4 illustrates a back view thereof; FIG. 5 illustrates a bottom view thereof; FIG. 6 illustrates a top view thereof; and, FIG. 7 illustrates a perspective view thereof.

The broken lines depict environmental subject matter, are for illustration only, and form no part of the claimed design.

1 Claim, 7 Drawing Sheets

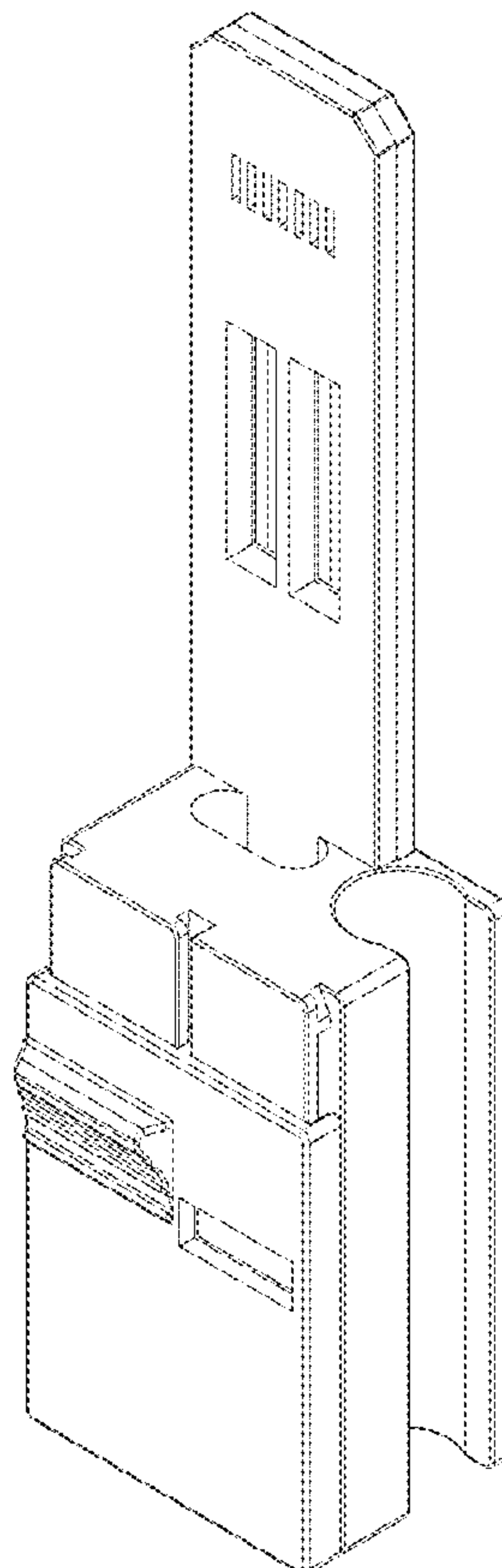


Figure 1

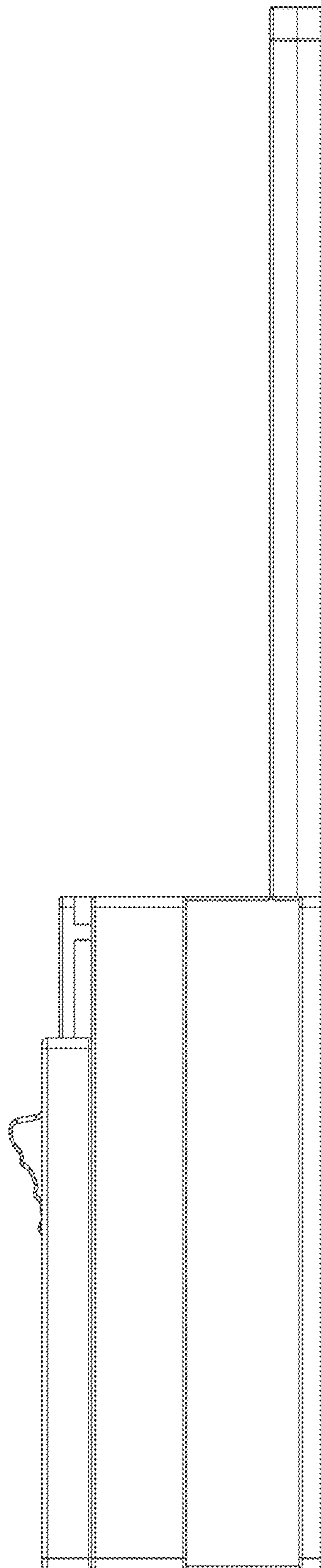


Figure 2

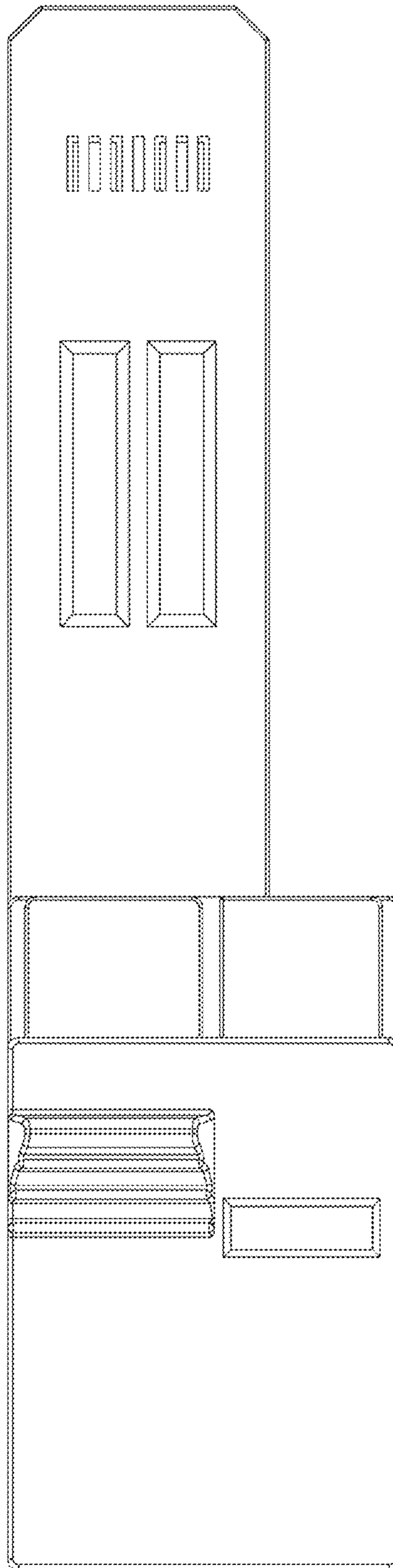


Figure 3

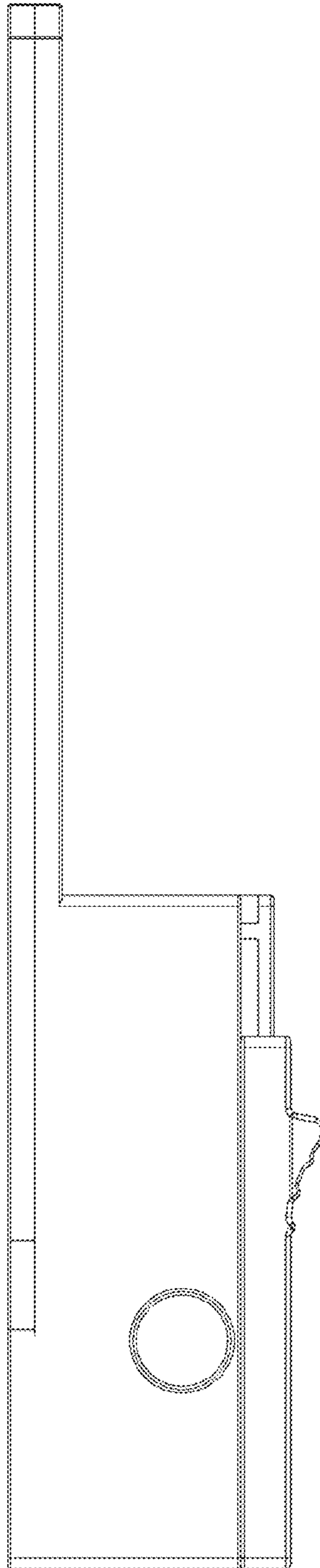


Figure 4

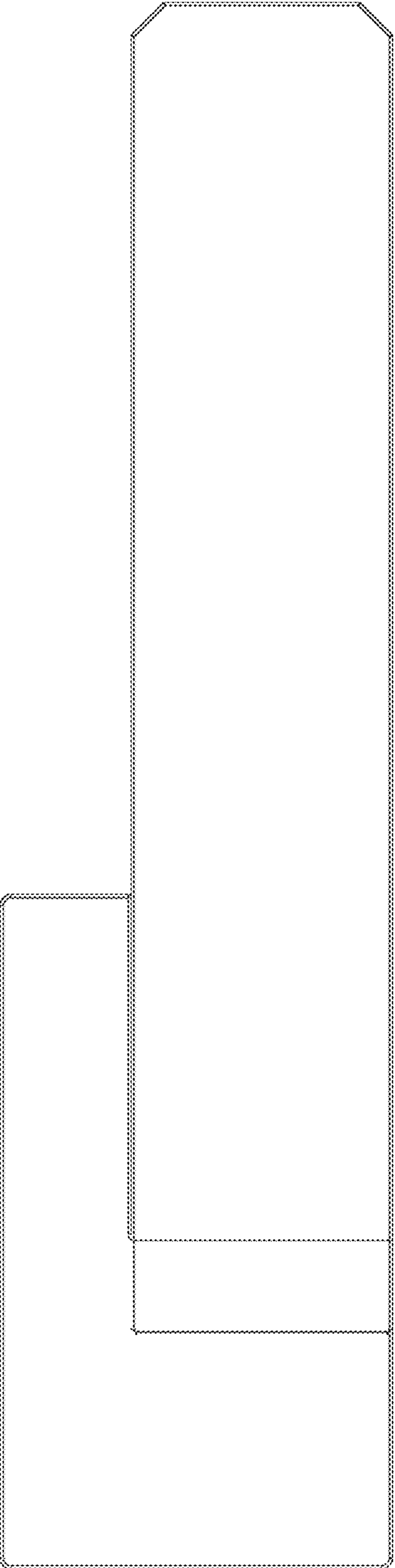


Figure 5

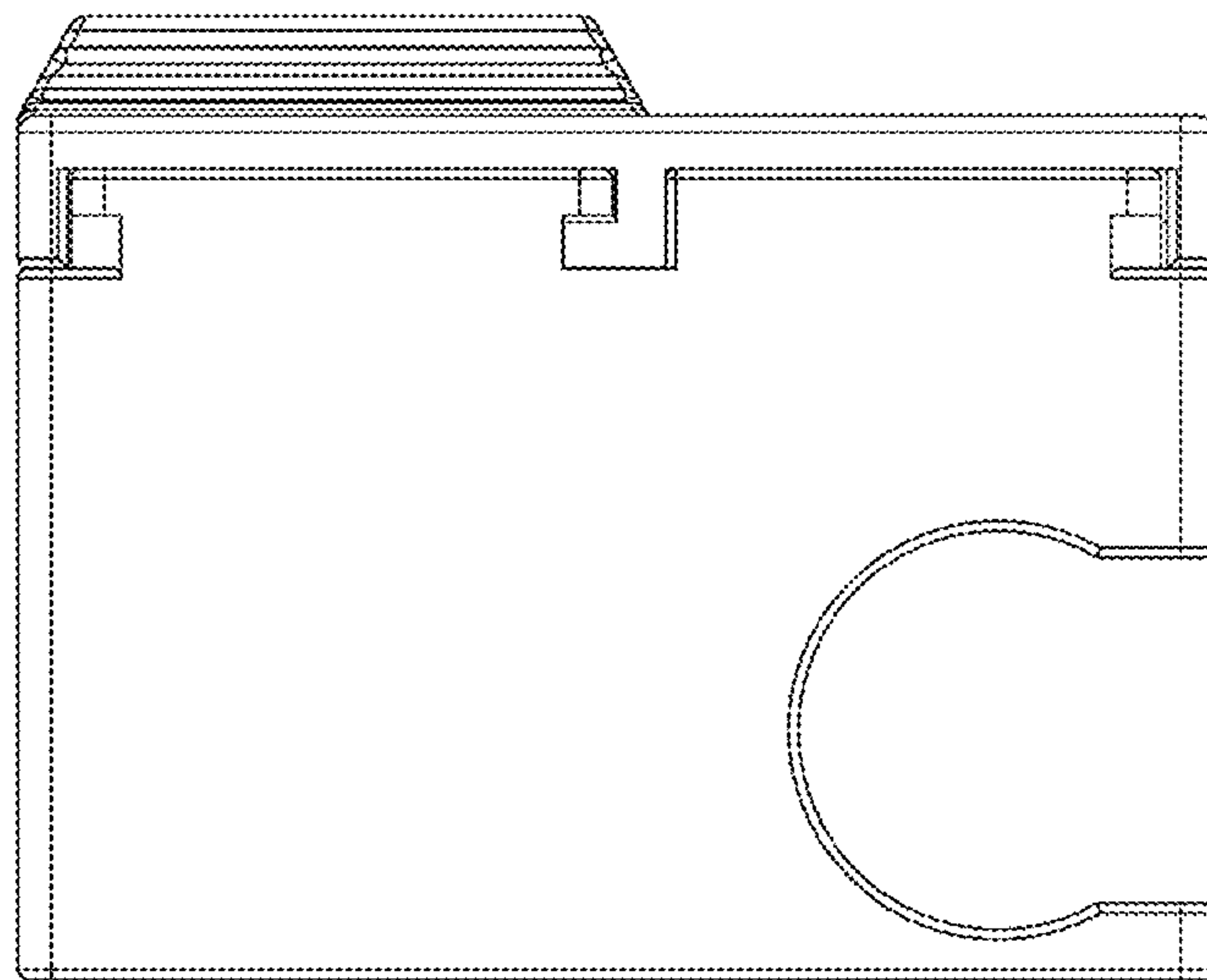


Figure 6

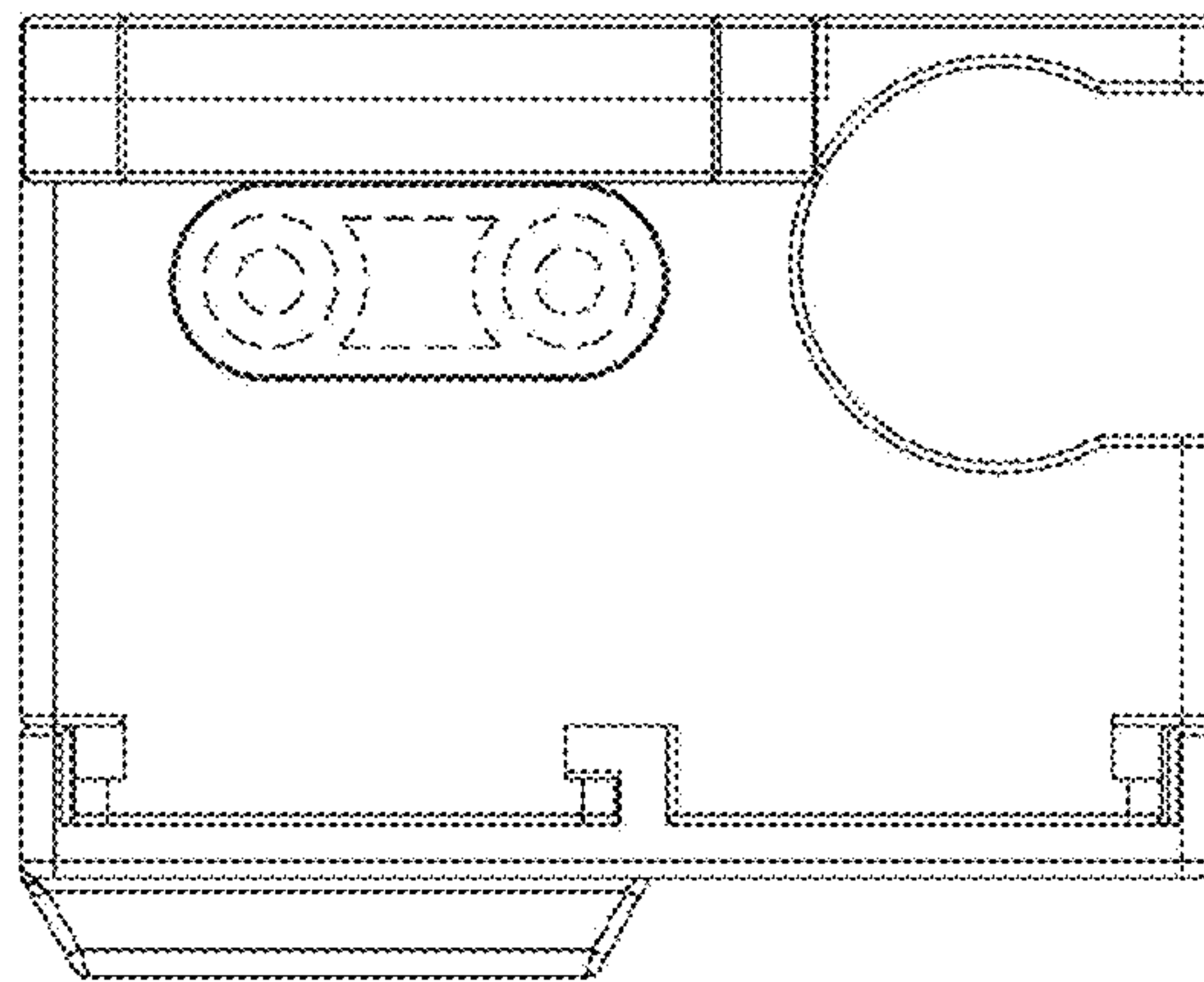


Figure 7

