



US00D750988S

(12) **United States Design Patent**
Goldring

(10) **Patent No.:** **US D750,988 S**
(45) **Date of Patent:** **** Mar. 8, 2016**

- (54) **SHEATH FOR A HAND-HELD SPECTROMETER**
- (71) Applicant: **Verifood, Ltd.**, Herzliya (IL)
- (72) Inventor: **Damian Goldring**, Tel Aviv (IL)
- (73) Assignee: **VERIFOOD, LTD.**, Herzliya (IL)
- (**) Term: **14 Years**
- (21) Appl. No.: **29/516,802**
- (22) Filed: **Feb. 5, 2015**
- (51) **LOC (10) Cl.** **10-04**
- (52) **U.S. Cl.**
USPC **D10/80**
- (58) **Field of Classification Search**
USPC D3/303, 315, 328; D10/80
CPC A45C 11/00; A45C 11/001; A45C 1/002;
A45C 11/003; A45F 5/00; A45F 2005/002;
A45F 2005/006; A45F 2005/008; A45F
2200/05; A45F 2200/0508; A45F 2200/0516;
A45F 2200/0525; A45F 2200/055; Y10S
224/904; Y10S 224/929
See application file for complete search history.

(56) **References Cited**

U.S. PATENT DOCUMENTS

4,452,354	A *	6/1984	Tabachnick	A45C 11/04 206/5
6,031,233	A	2/2000	Levin et al.	
6,357,641	B1 *	3/2002	Cheng	A45C 11/00 224/242
7,535,617	B2	5/2009	Gupta et al.	
7,667,740	B2	2/2010	Hofer	
D614,517	S *	4/2010	Janky	D10/80
7,986,193	B2	7/2011	Krah	
D732,828	S *	6/2015	Thompson	D3/315
2007/0230932	A1	10/2007	Tanaka et al.	
2008/0061236	A1	3/2008	Meredith et al.	

2008/0204578	A1	8/2008	Scheuch et al.	
2012/0043231	A1 *	2/2012	Perrier	A45C 11/00 206/216
2012/0138490	A1 *	6/2012	Hollander	A45C 11/00 206/205

(Continued)

FOREIGN PATENT DOCUMENTS

WO WO 99/53350 A1 10/1999

OTHER PUBLICATIONS

SCIO Kickstarter Campaign launched on Apr. 28, 2014 screenshots.
(Continued)

Primary Examiner — Antoine D Davis

(74) *Attorney, Agent, or Firm* — Wilson, Sonsini, Goodrich & Rosati

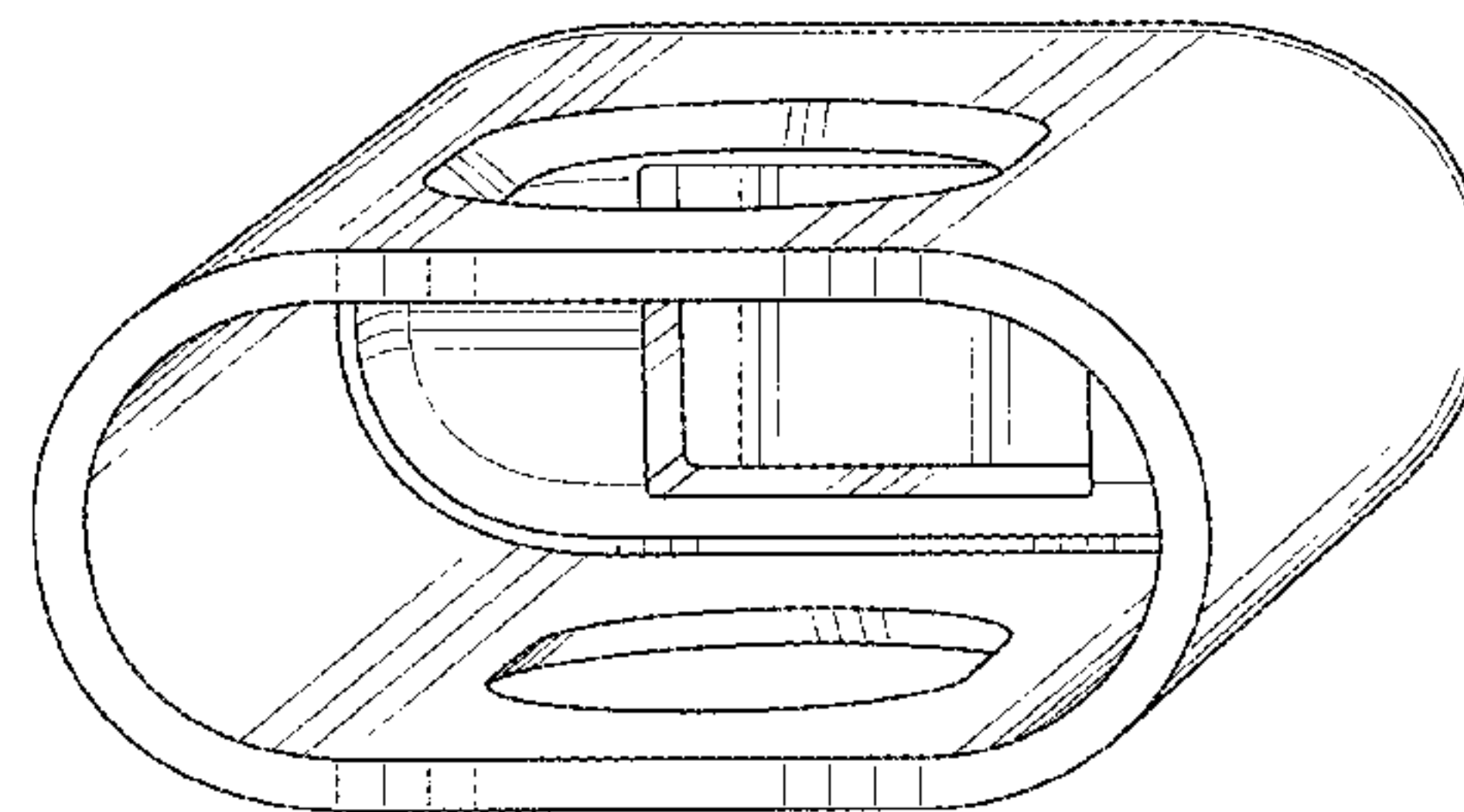
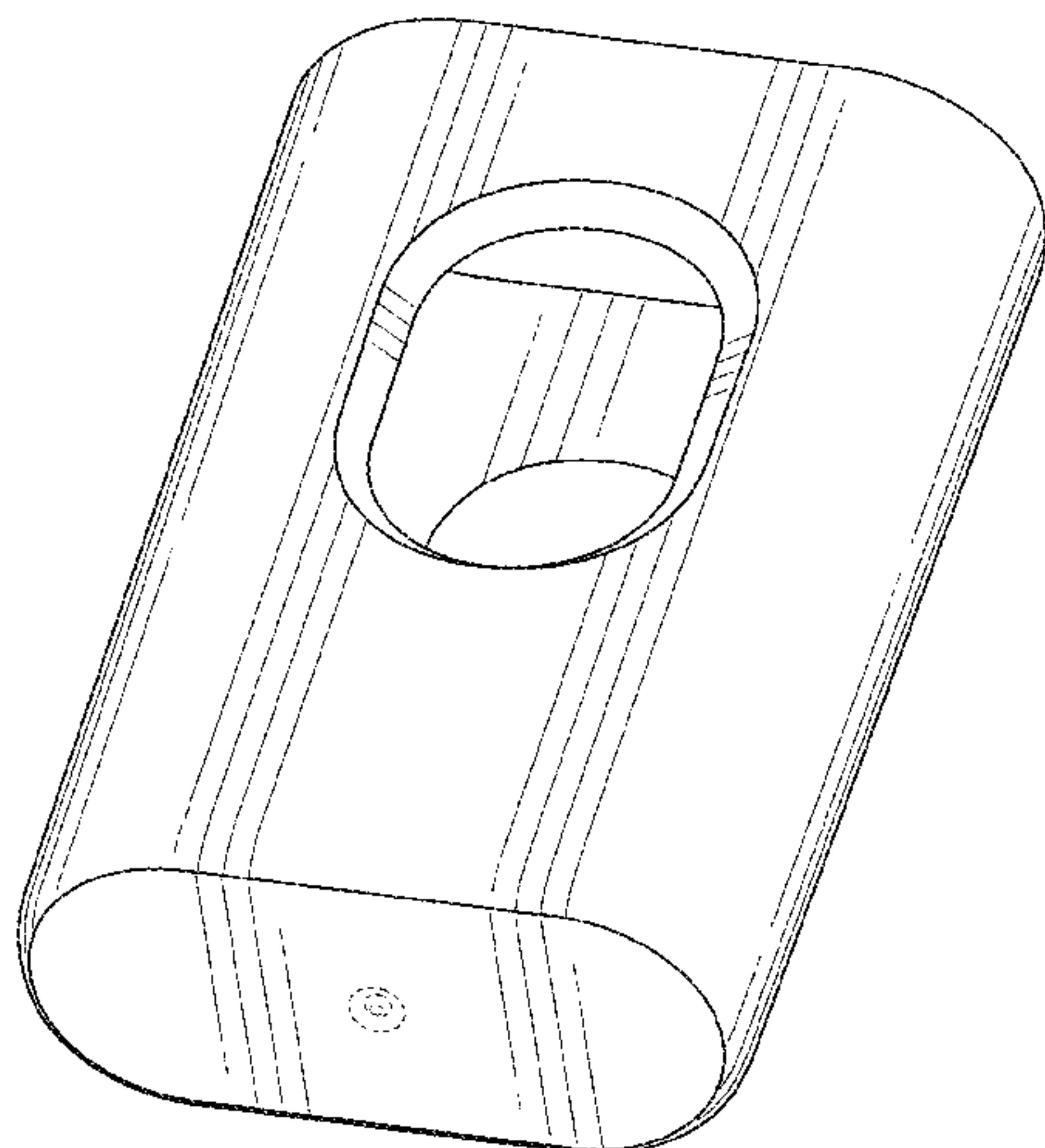
(57) **CLAIM**

The ornamental design for a sheath for a hand-held spectrometer, as shown and described.

DESCRIPTION

FIG. 1 is an isometric view of a sheath for a hand-held spectrometer;
 FIG. 2 is another isometric view of a sheath for a hand-held spectrometer;
 FIG. 3 is another isometric view of a sheath for a hand-held spectrometer;
 FIG. 4 is a top view of a sheath for a hand-held spectrometer;
 FIG. 5 is a bottom view of a sheath for a hand-held spectrometer;
 FIG. 6 is a side view of a sheath for a hand-held spectrometer;
 FIG. 7 is another side view of a sheath for a hand-held spectrometer;
 FIG. 8 is a front (“head”) view of a sheath for a hand-held spectrometer; and,
 FIG. 9 is a rear view of a sheath for a hand-held spectrometer.
 The broken lines in FIGS. 1-9 are for illustrative purposes only and form no part of the claimed design.

1 Claim, 7 Drawing Sheets



(56)

References Cited

2014/0293091 A1 10/2014 Rhoads et al.

U.S. PATENT DOCUMENTS

OTHER PUBLICATIONS

2013/0075437 A1* 3/2013 Zinnerman A45C 1/04
224/587
2013/0220694 A1* 8/2013 Wittman-
Holloway H04B 1/3838
174/378

SCIO Kickstarter Campaign: Your Sixth Sense. A Pocket Molecular
Sensor for All! launced on Apr. 29, 2014.

* cited by examiner

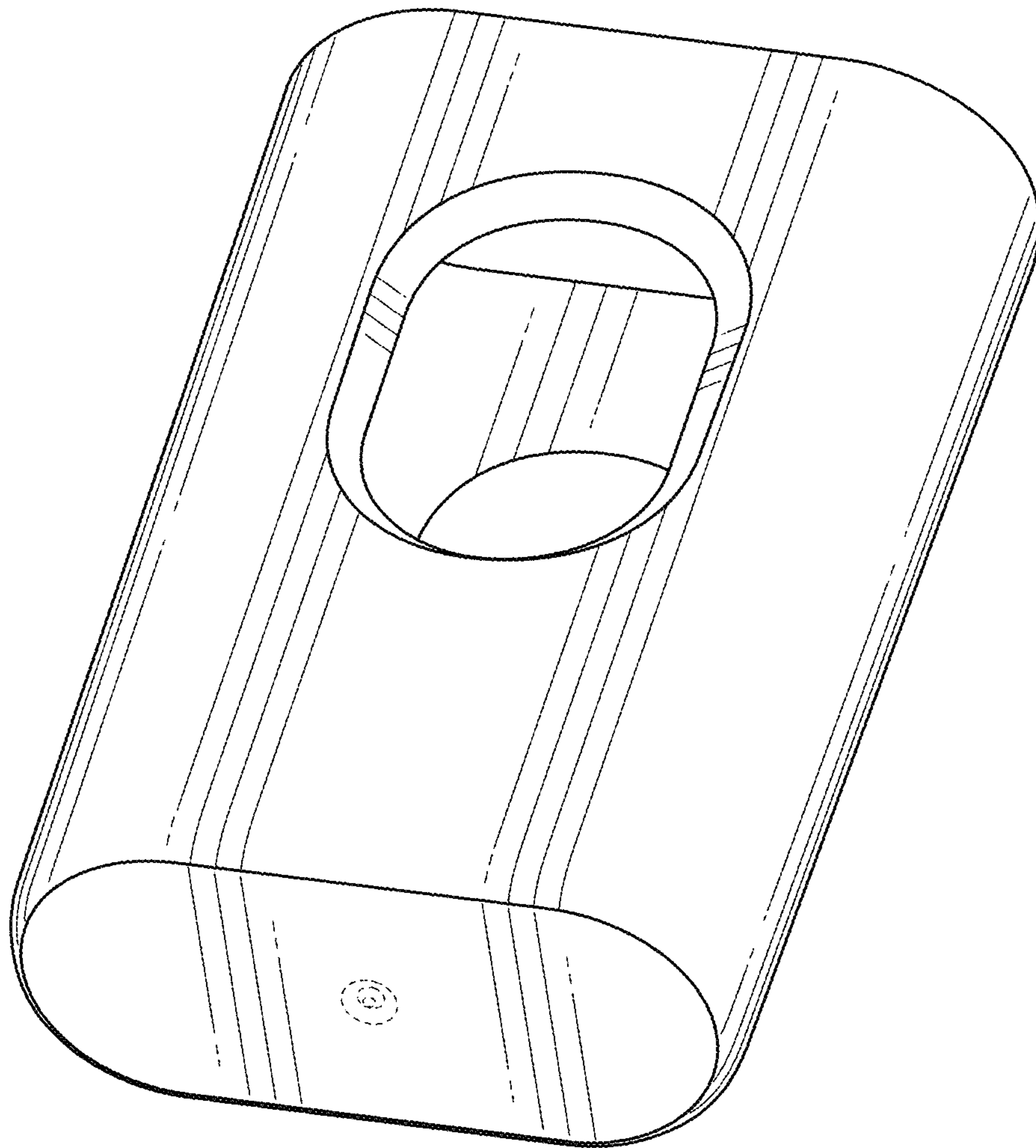


FIG. 1

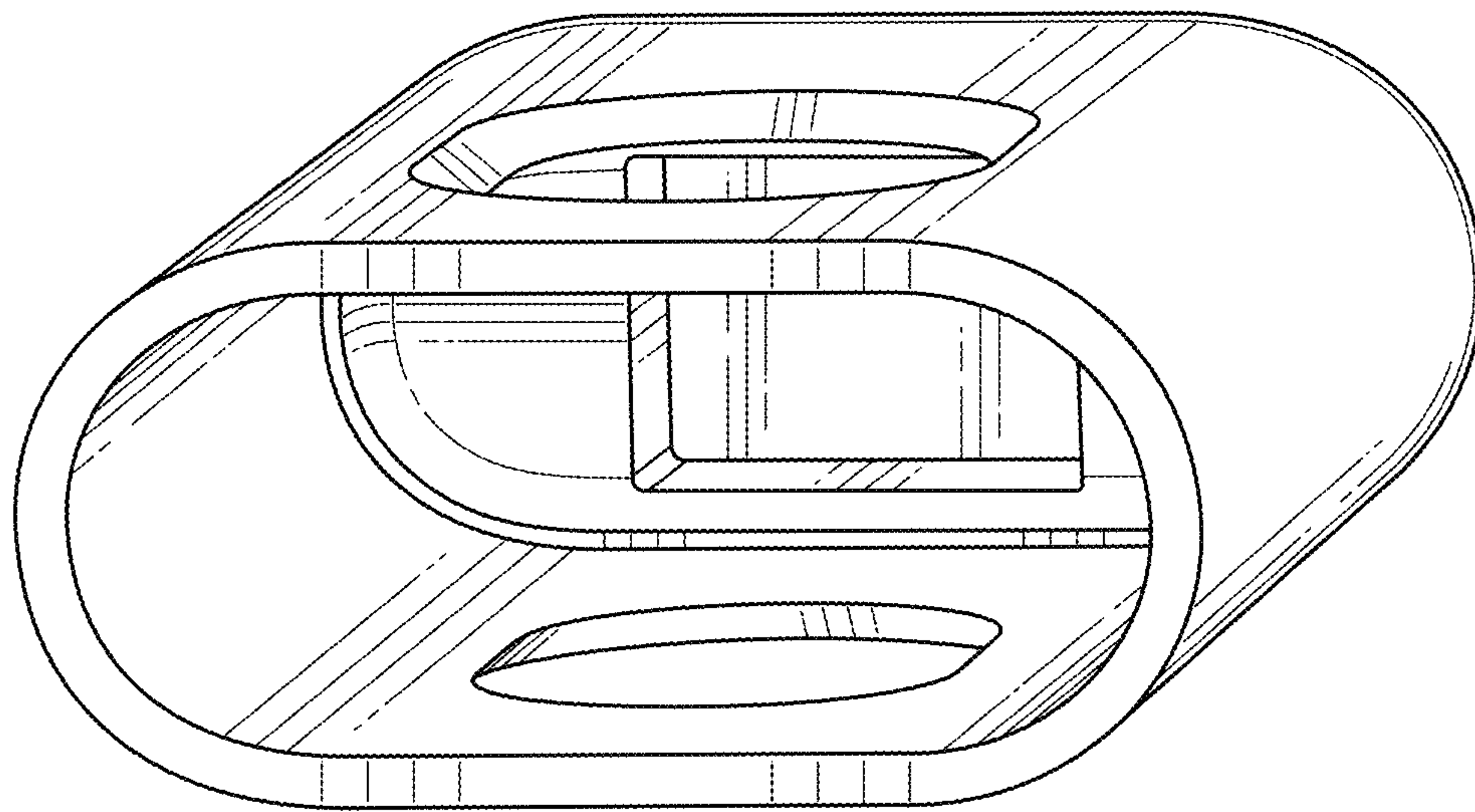


FIG. 2

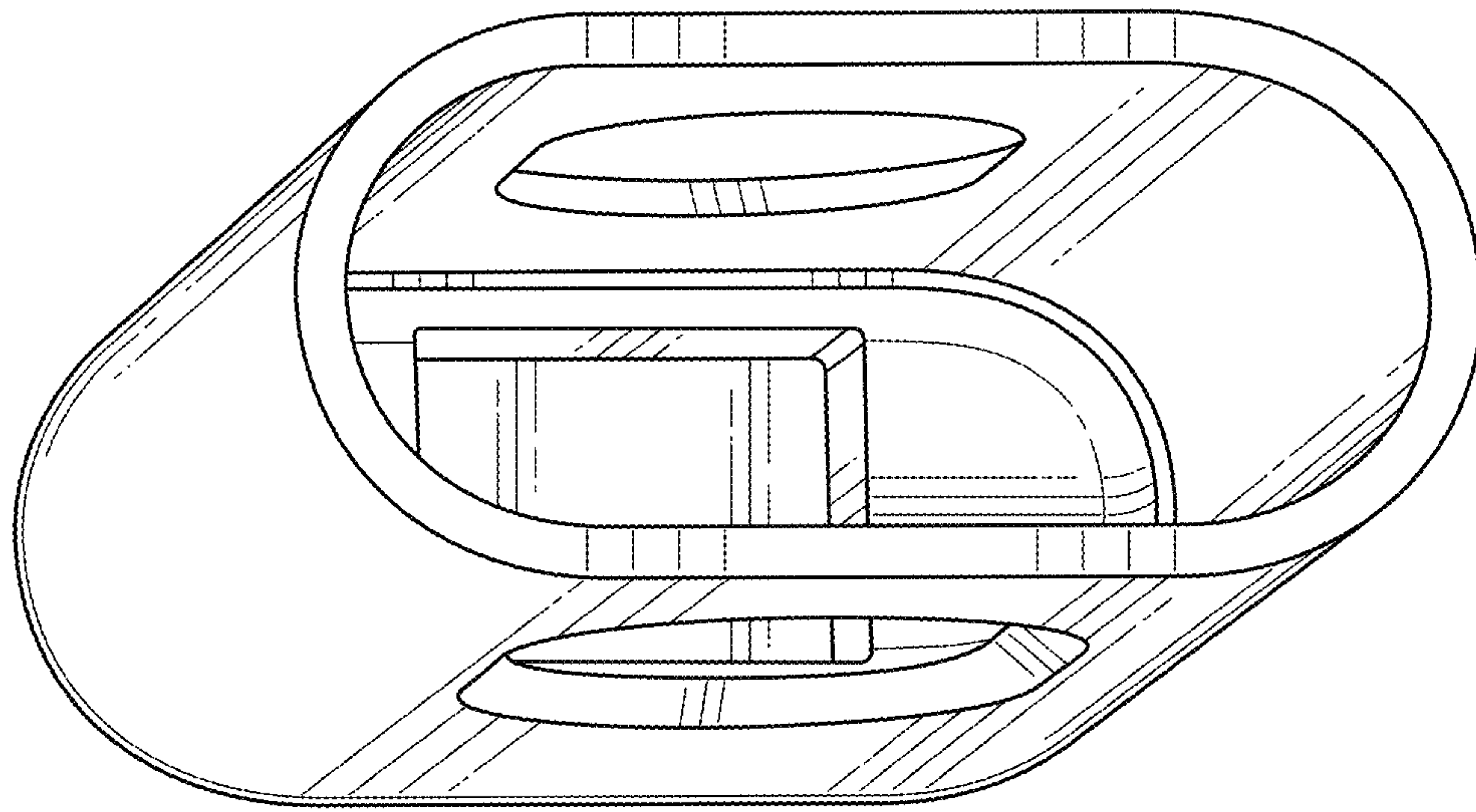


FIG. 3

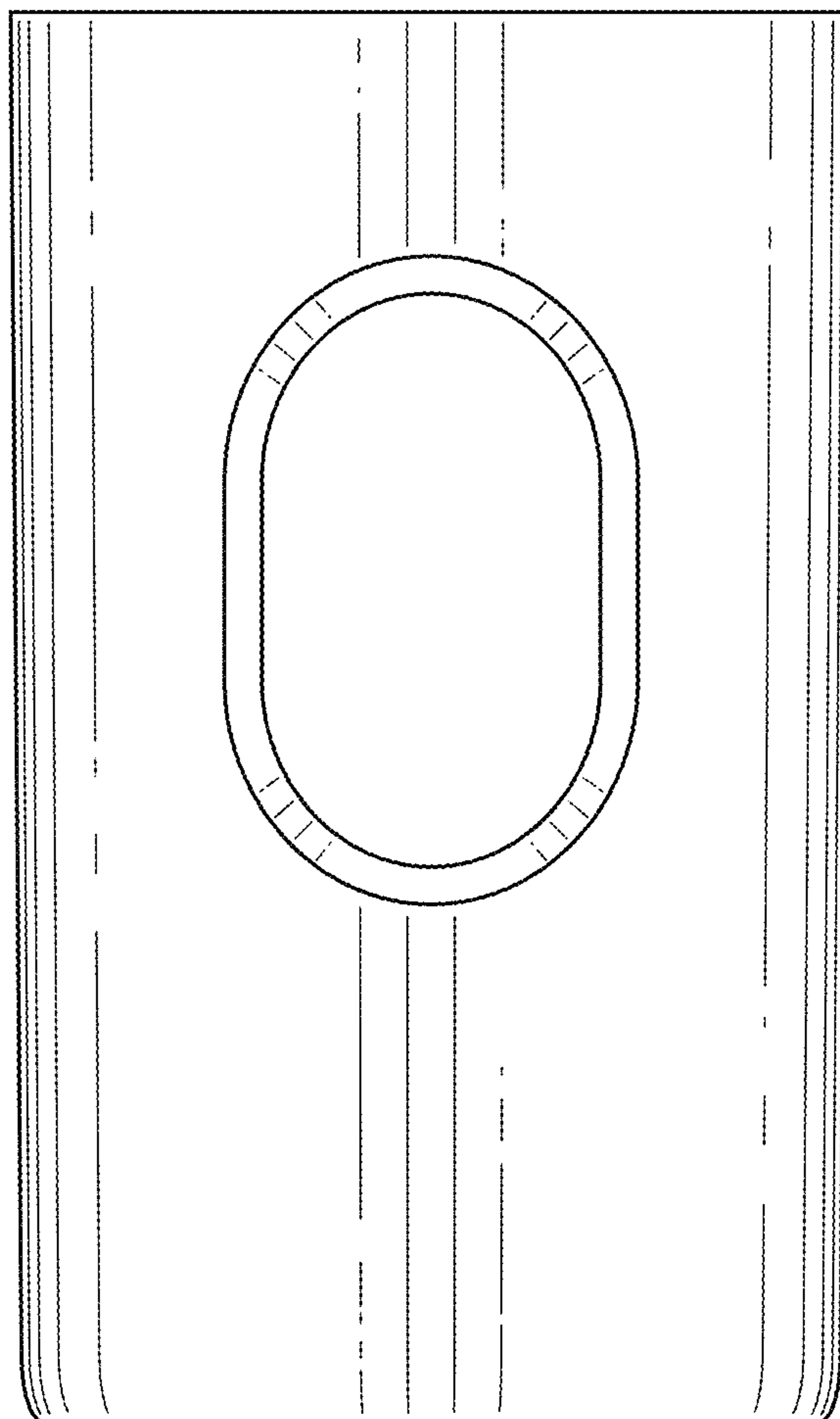


FIG. 4

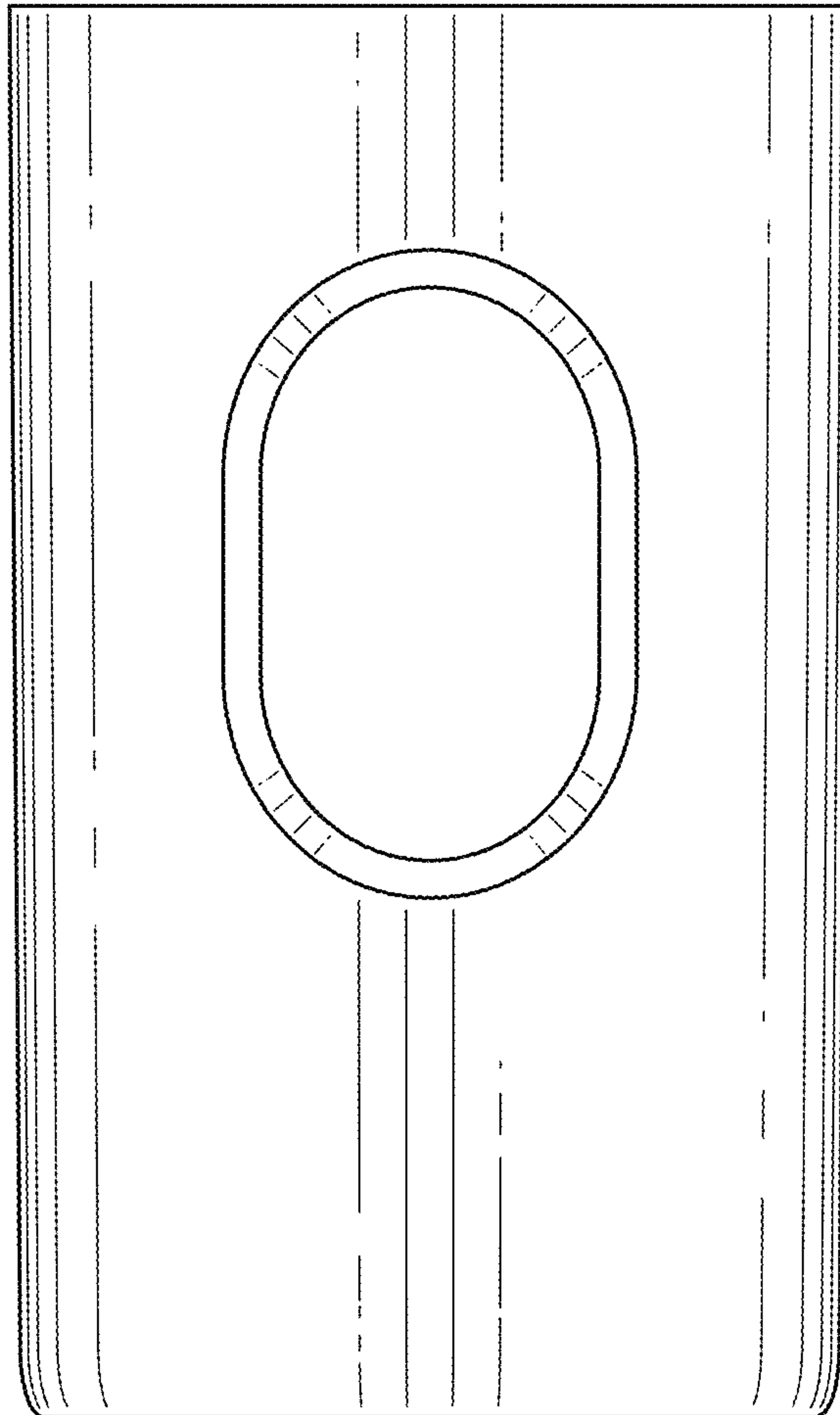


FIG. 5

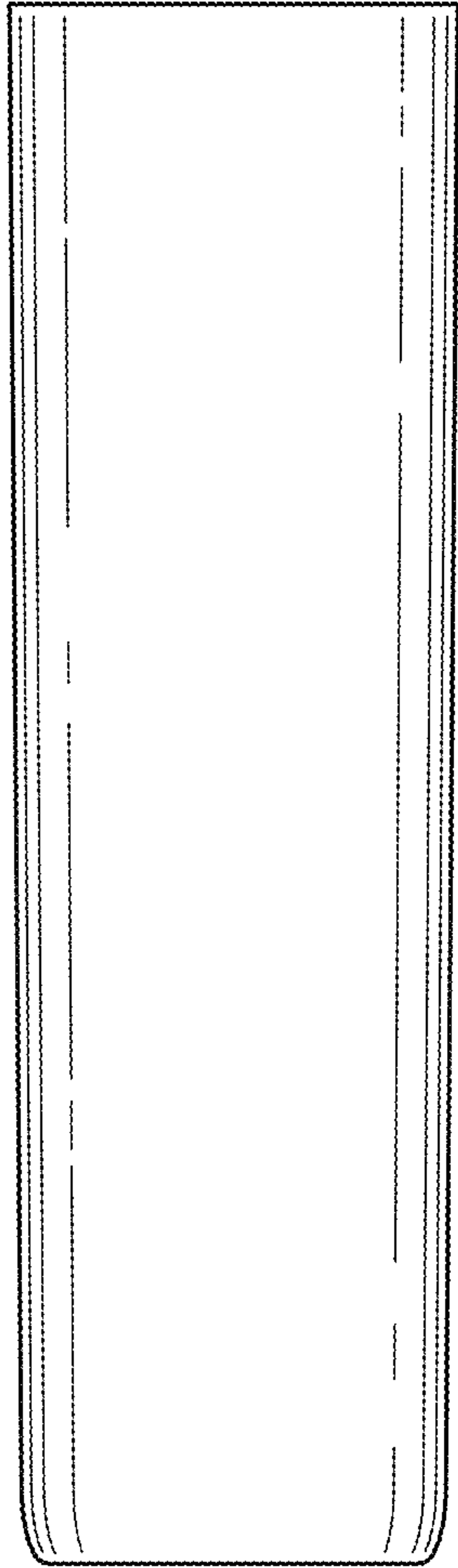


FIG. 6

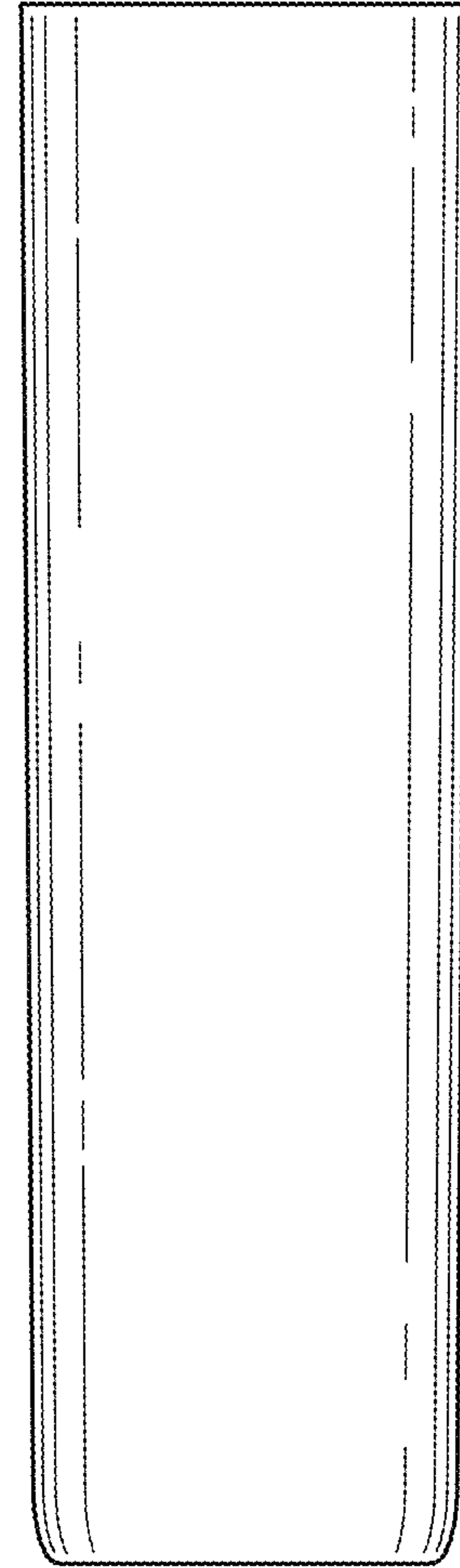


FIG. 7

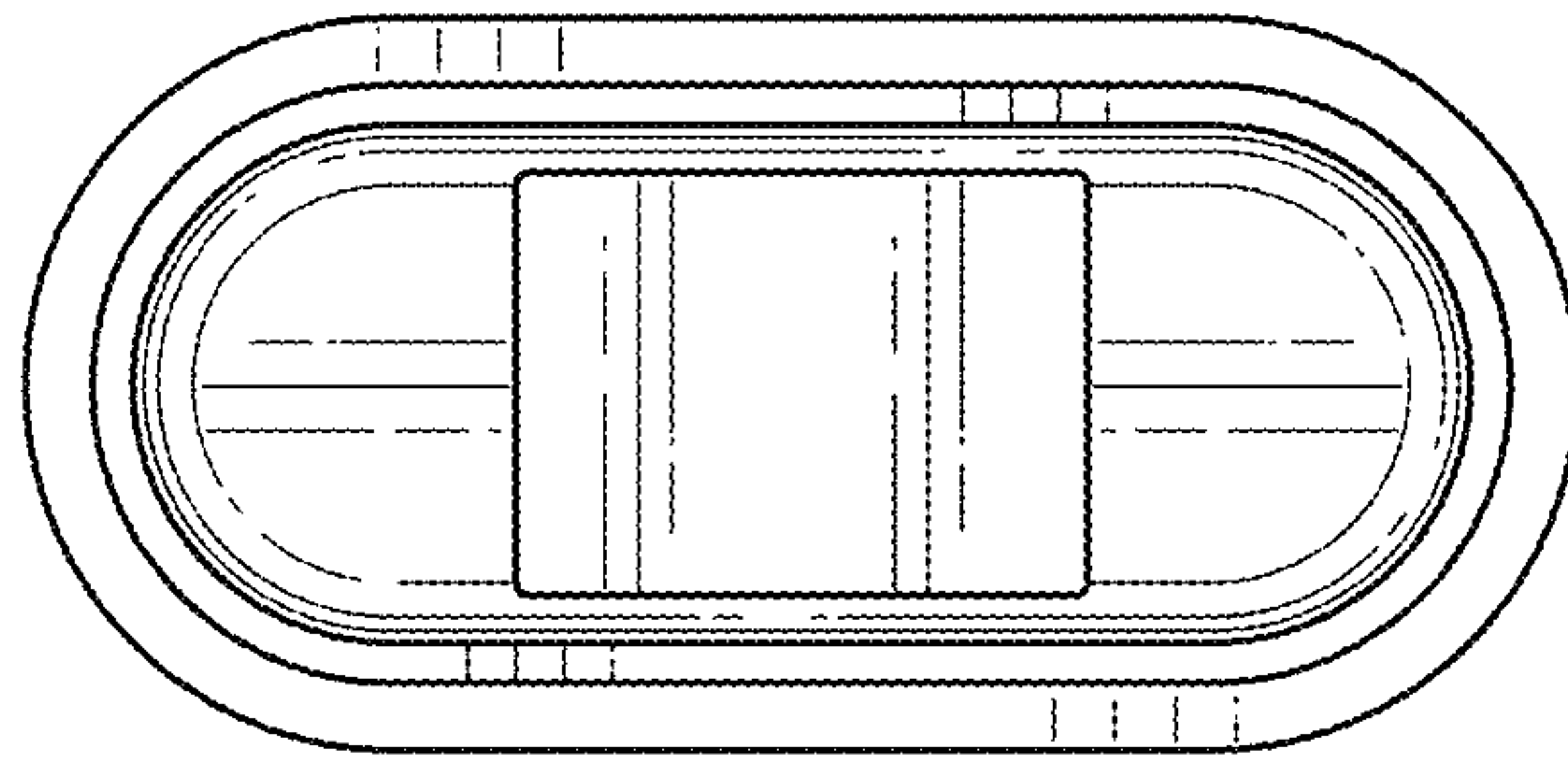


FIG. 8

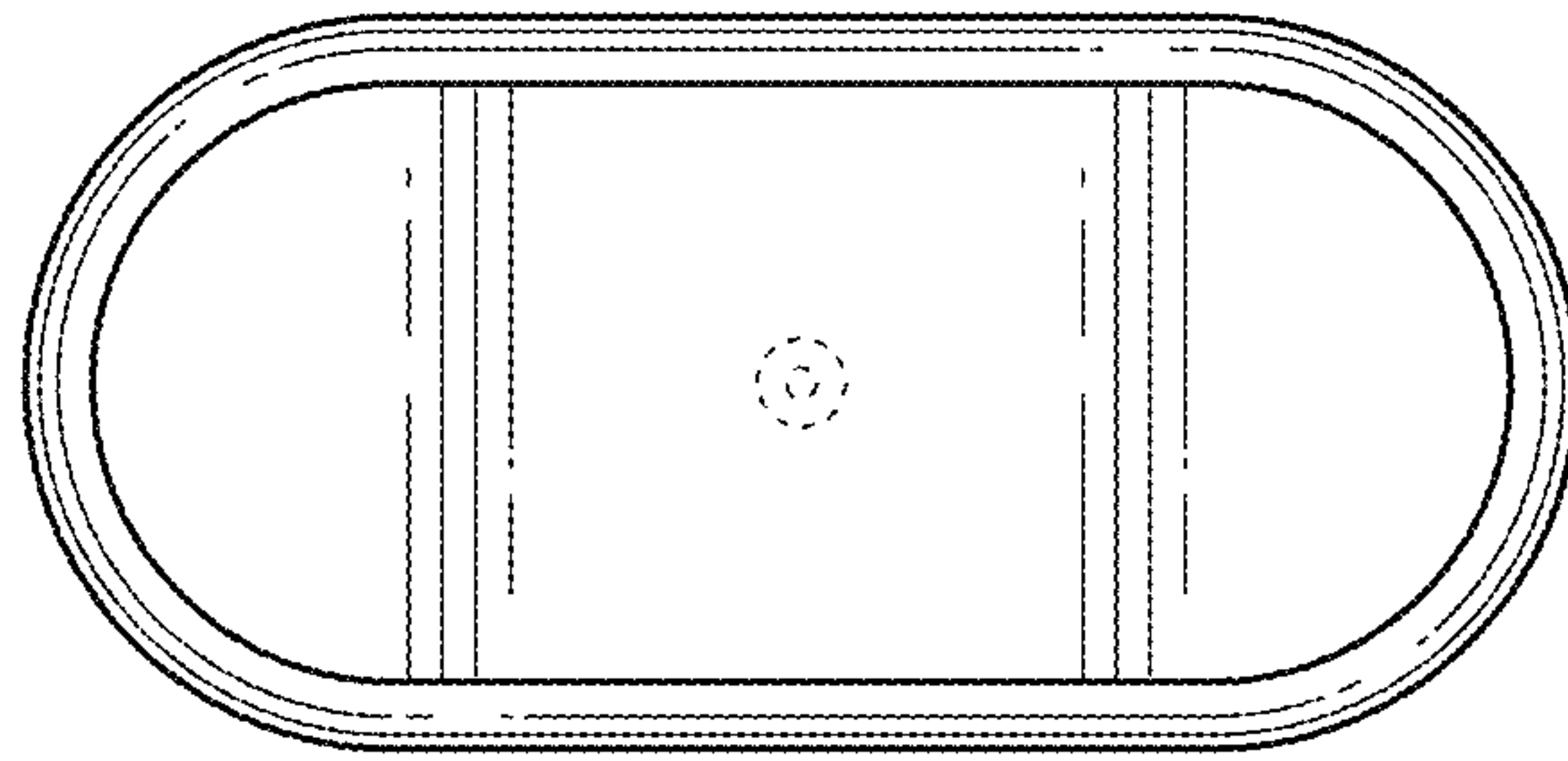


FIG. 9