



US00D750986S

(12) **United States Design Patent**
Laurino et al.

(10) **Patent No.:** **US D750,986 S**
(45) **Date of Patent:** **** Mar. 8, 2016**

(54) **MAIN BODY FOR A DATA LOGGER**

(71) Applicant: **Fluke Corporation**, Everett, WA (US)

(72) Inventors: **Ferdinand Y. Laurino**, Seattle, WA (US); **Duncan Kearsley**, Stanwood, WA (US)

(73) Assignee: **Fluke Corporation**, Everett, WA (US)

(**) Term: **14 Years**

(21) Appl. No.: **29/522,929**

(22) Filed: **Apr. 3, 2015**

Related U.S. Application Data

(62) Division of application No. 29/444,908, filed on Feb. 5, 2013, now Pat. No. Des. 726,047.

(51) **LOC (10) CI.** **10-04**

(52) **U.S. CI.**
USPC **D10/78; D14/341**

(58) **Field of Classification Search**
USPC D10/65, 78, 104, 104.1, 105.1, 106.1;
D13/78, 103, 108, 110, 139.1–139.7,
D13/158, 171, 184; D14/138 G, 155, 168,
D14/188, 203.3, 217, 240, 242, 341
CPC H01L 2924/00; G01J 5/025; G01J
2005/0077; G01R 1/04; G01R 15/125; H04N
5/33

See application file for complete search history.

(56) **References Cited**

U.S. PATENT DOCUMENTS

D382,253 S 8/1997 Claxton
D383,400 S * 9/1997 Wada D10/65
D404,761 S 1/1999 Tarpenning
D422,995 S 4/2000 Dow
D430,048 S * 8/2000 Hoofnagle D10/78
D460,925 S 7/2002 Arnoux

D474,413 S * 5/2003 Hoofnagle D10/78
D507,979 S 8/2005 Robinson
D515,951 S * 2/2006 Clark D10/78

(Continued)

FOREIGN PATENT DOCUMENTS

EM 001213771-0003 8/2010
EM 002080465-0001 8/2012

OTHER PUBLICATIONS

“First-of-a-Kind, Handheld Device Brings Magic of Disney Theme Parks to Guests with Disabilities,” <<http://www.laughingplace.com/News-ID10033710.asp>> Apr. 20, 2009 [retrieved Jan. 31, 2014], 1 page.

(Continued)

Primary Examiner — Deanna L Pratt

(74) *Attorney, Agent, or Firm* — Seed IP Law Group PLLC

(57) **CLAIM**

The ornamental design for a main body for a data logger, as shown and described.

DESCRIPTION

FIG. 1 is a top perspective view of a main body for a data logger.

FIG. 2 is a bottom perspective view thereof.

FIG. 3 is a back top perspective view thereof.

FIG. 4 is a front view thereof.

FIG. 5 is a back view thereof.

FIG. 6 is a top view thereof.

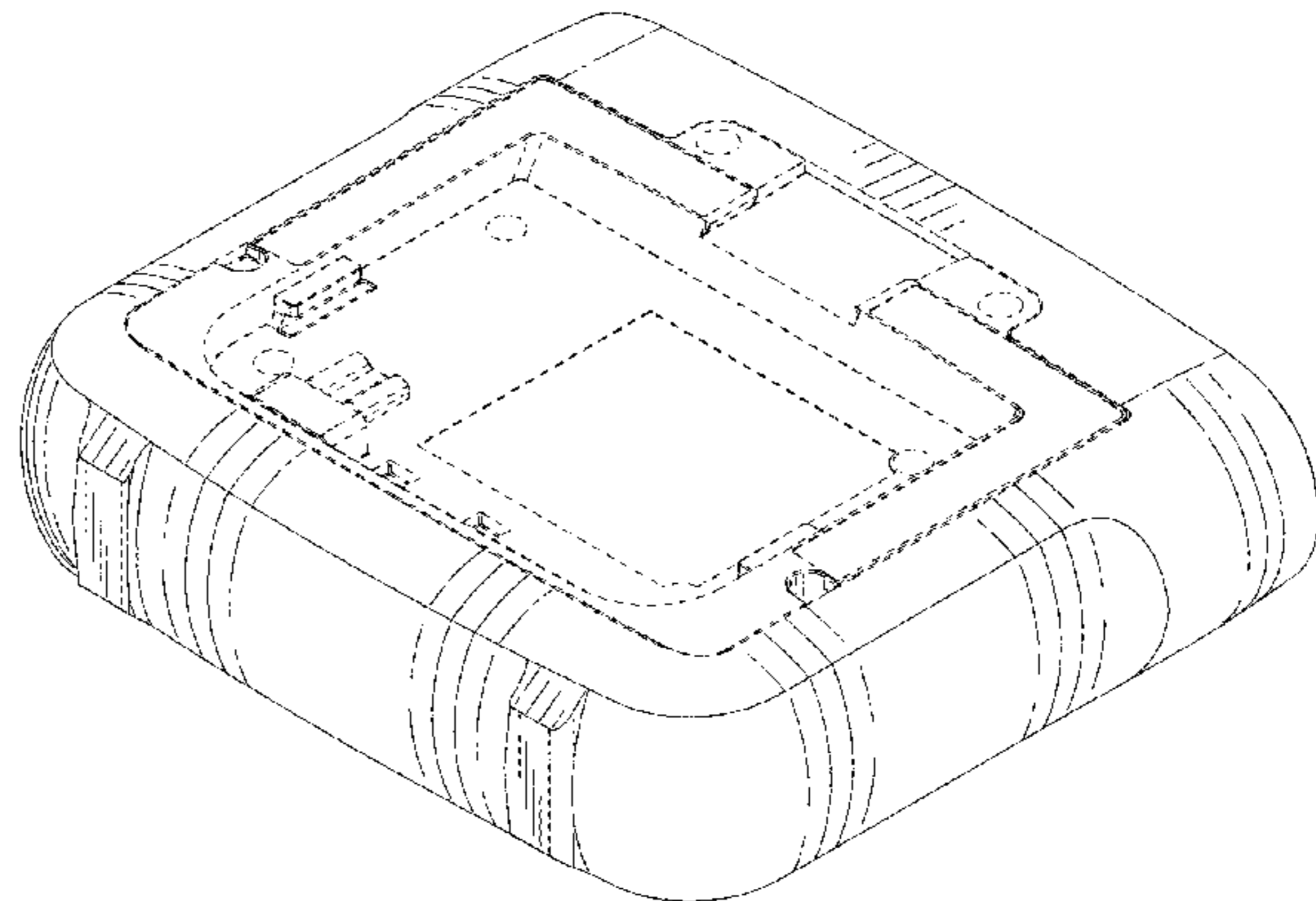
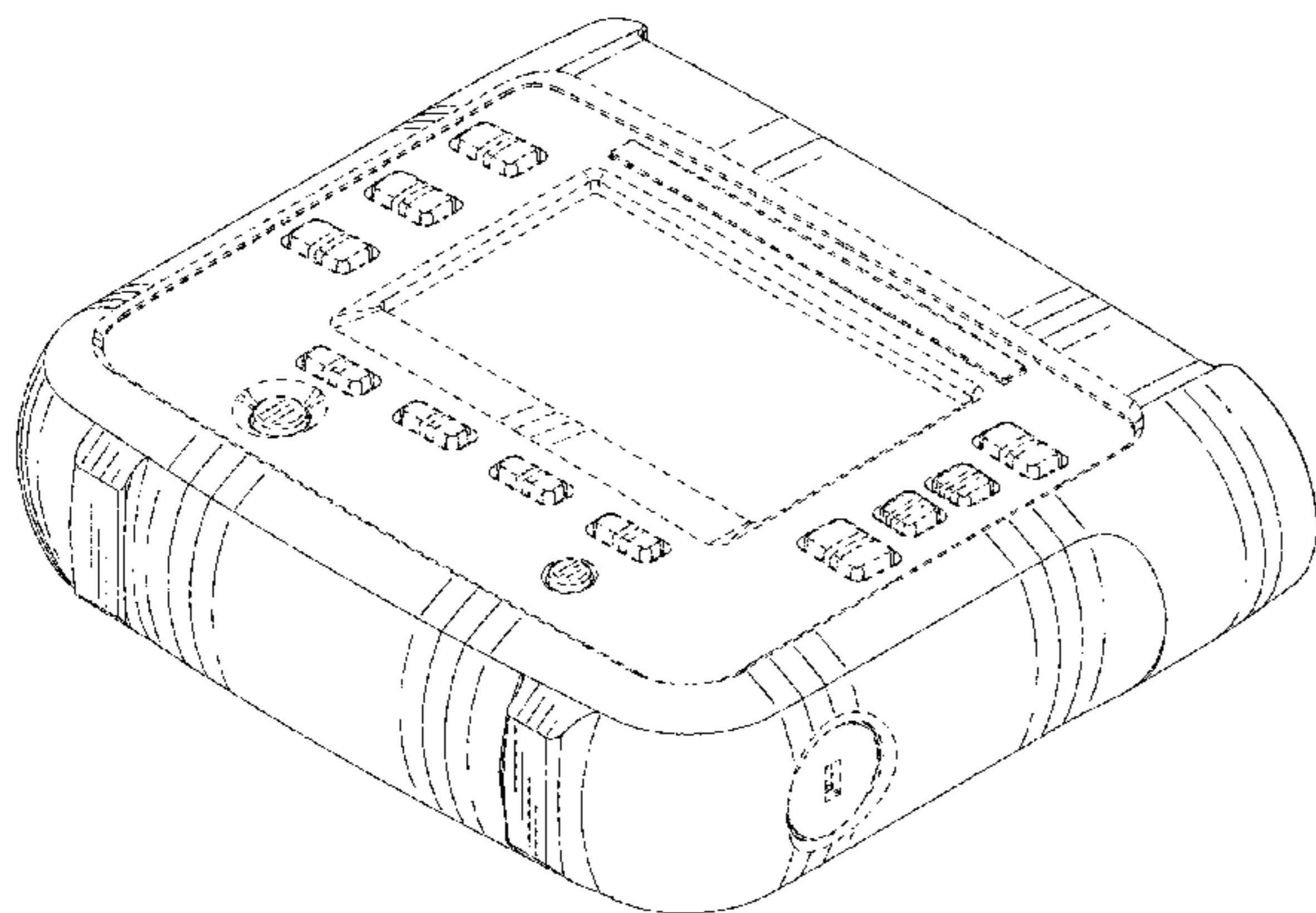
FIG. 7 is a bottom view thereof.

FIG. 8 is a right view thereof; and,

FIG. 9 is a left view thereof.

The broken lines in the drawings illustrate portions of the main body for a data logger that form no part of the claimed design.

1 Claim, 7 Drawing Sheets



(56)

References Cited

U.S. PATENT DOCUMENTS

D541,798 S 5/2007 Ichida
 D545,784 S 7/2007 Dayan
 D552,323 S * 10/2007 Perrier D34/27
 D572,615 S 7/2008 Gerold
 D642,942 S * 8/2011 Laurino D10/78
 D649,893 S 12/2011 Beeke
 D660,190 S 5/2012 Laurino
 D668,649 S 10/2012 Burke
 D677,184 S 3/2013 Kluser
 D685,914 S * 7/2013 Corrigan D24/186
 D688,144 S 8/2013 Svard
 D721,290 S * 1/2015 Varacca D10/78
 D726,047 S * 4/2015 Laurino D10/78
 D731,340 S * 6/2015 Laurino D10/78

2010/0181990 A1* 7/2010 Hudson G01R 15/125
 324/115
 2011/0074395 A1* 3/2011 Marzynski G01R 1/04
 324/114
 2014/0036065 A1* 2/2014 Oakley G01S 3/46
 348/135

OTHER PUBLICATIONS

“Fluke 810 Handheld Vibration Tester, LCD Display, 0.1 rpm Resolution, 32 to 122 Degrees F Temperature Range, 10.52" Width x 7.30" Height x 2.76" Depth,” <<http://www.amazon.com/Fluke-Handheld-Vibration-Resolution-Temperature/dp/B007ICD1LI>> [retrieved Jan. 31, 2014], 1 page.
 “Press Kit—Intel® Reader,” <<http://www.intel.com/pressroom/kits/healthcare/reader/>> [retrieved Jan. 31, 2014], 1 page.

* cited by examiner

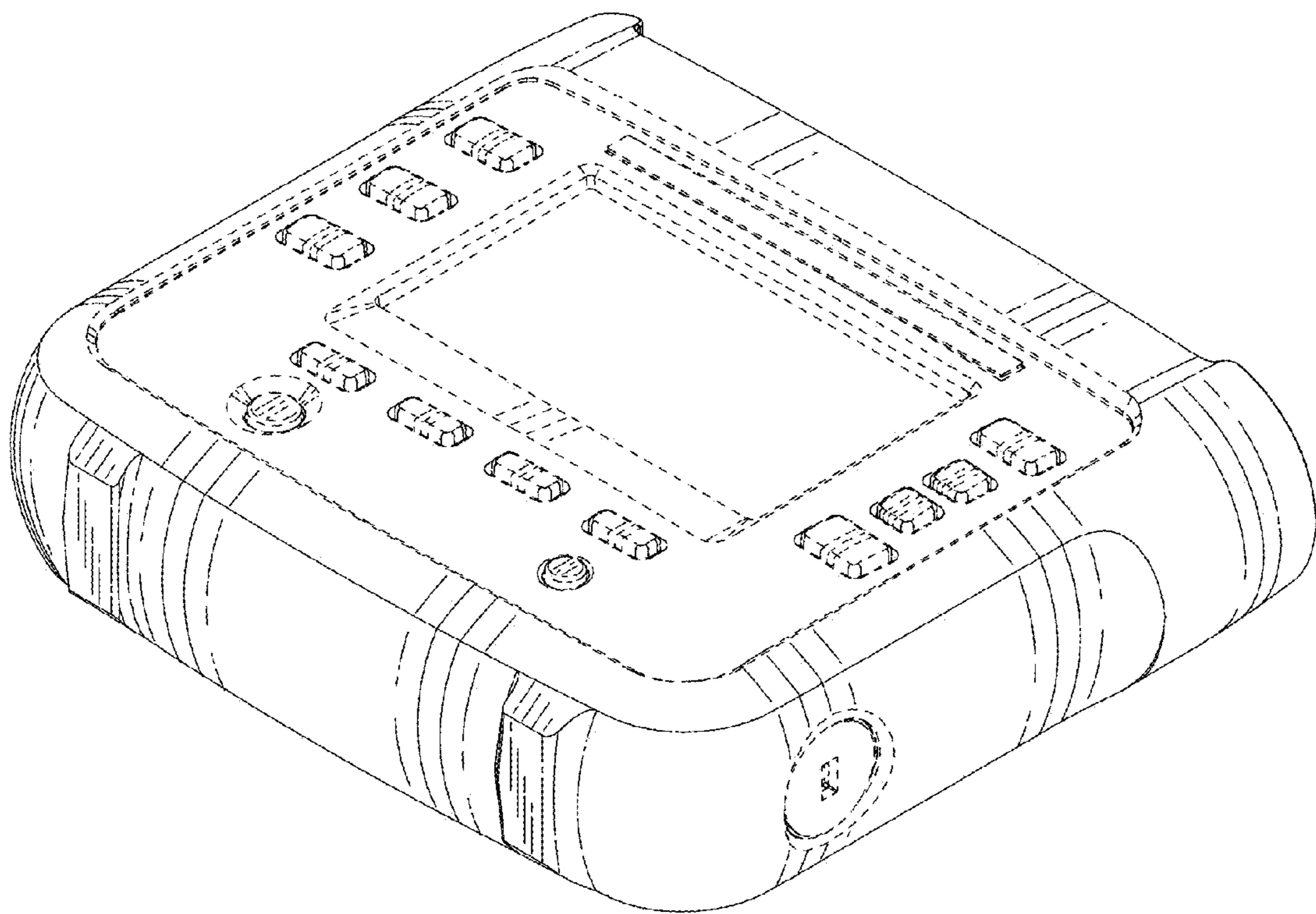


FIG. 1

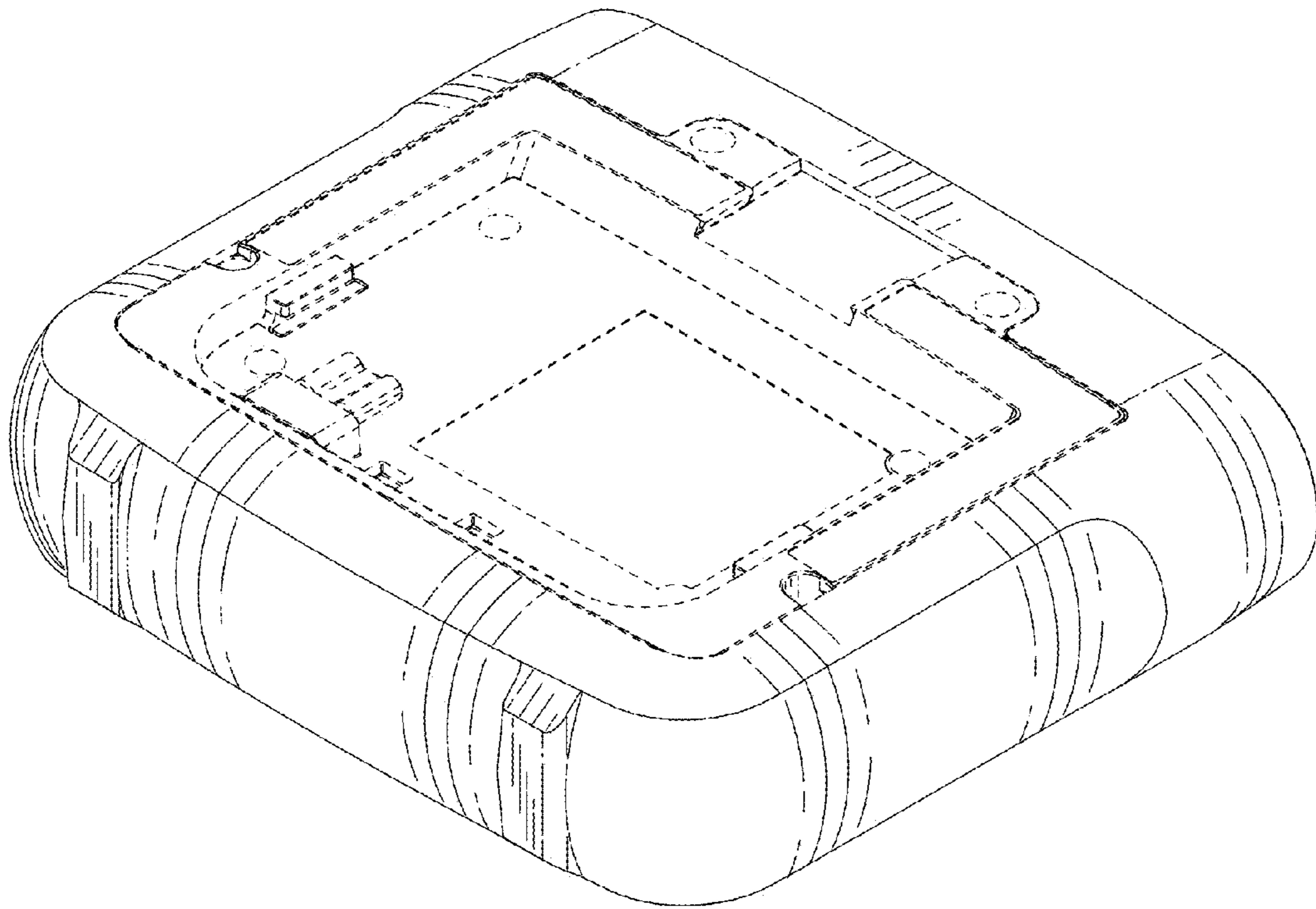


FIG. 2

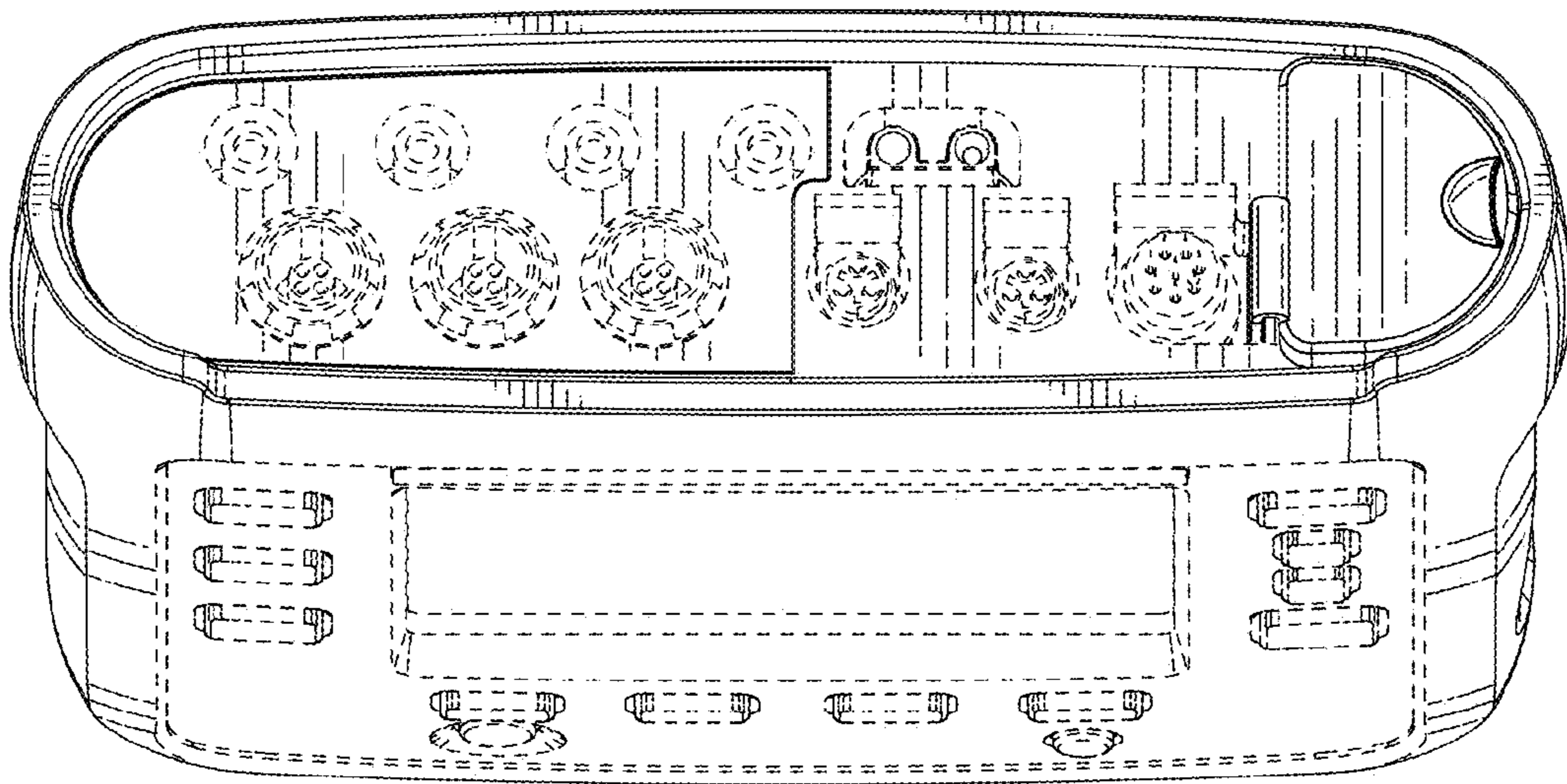


FIG. 3

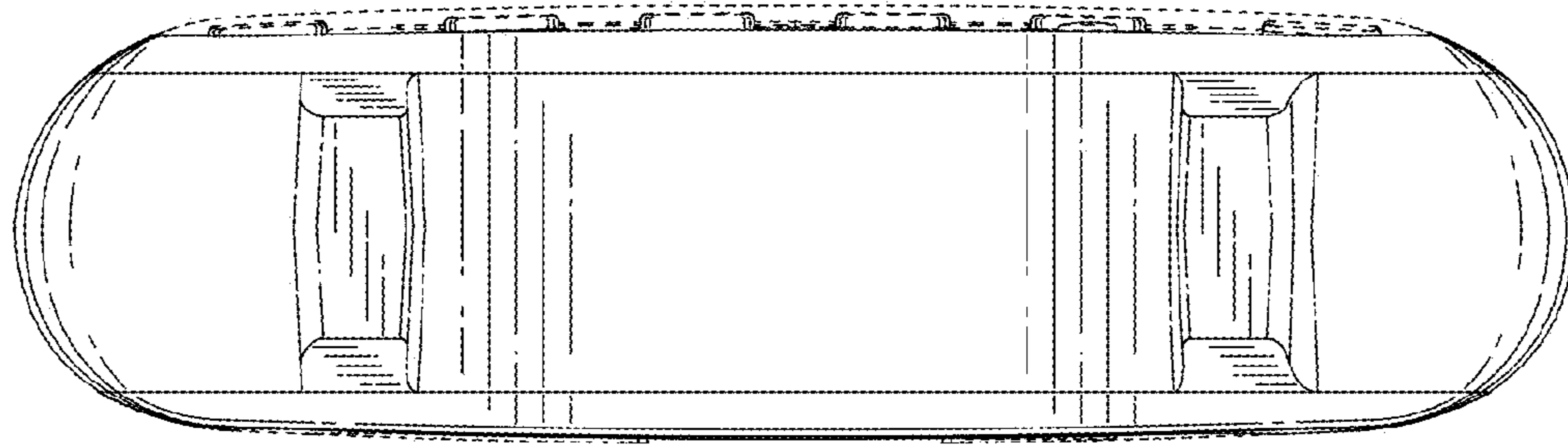


FIG. 4

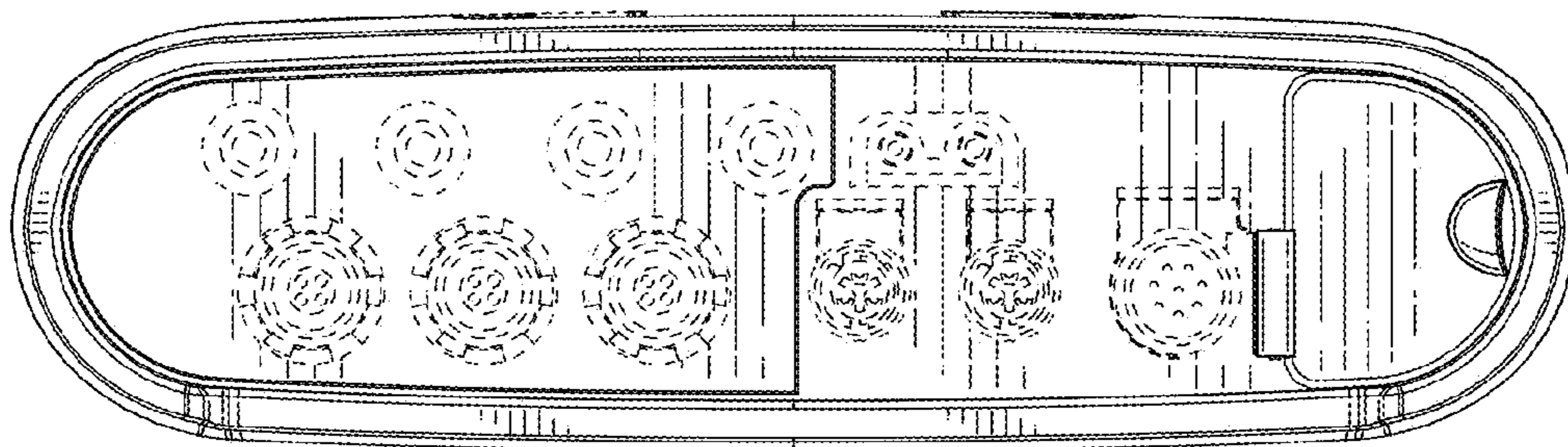


FIG. 5

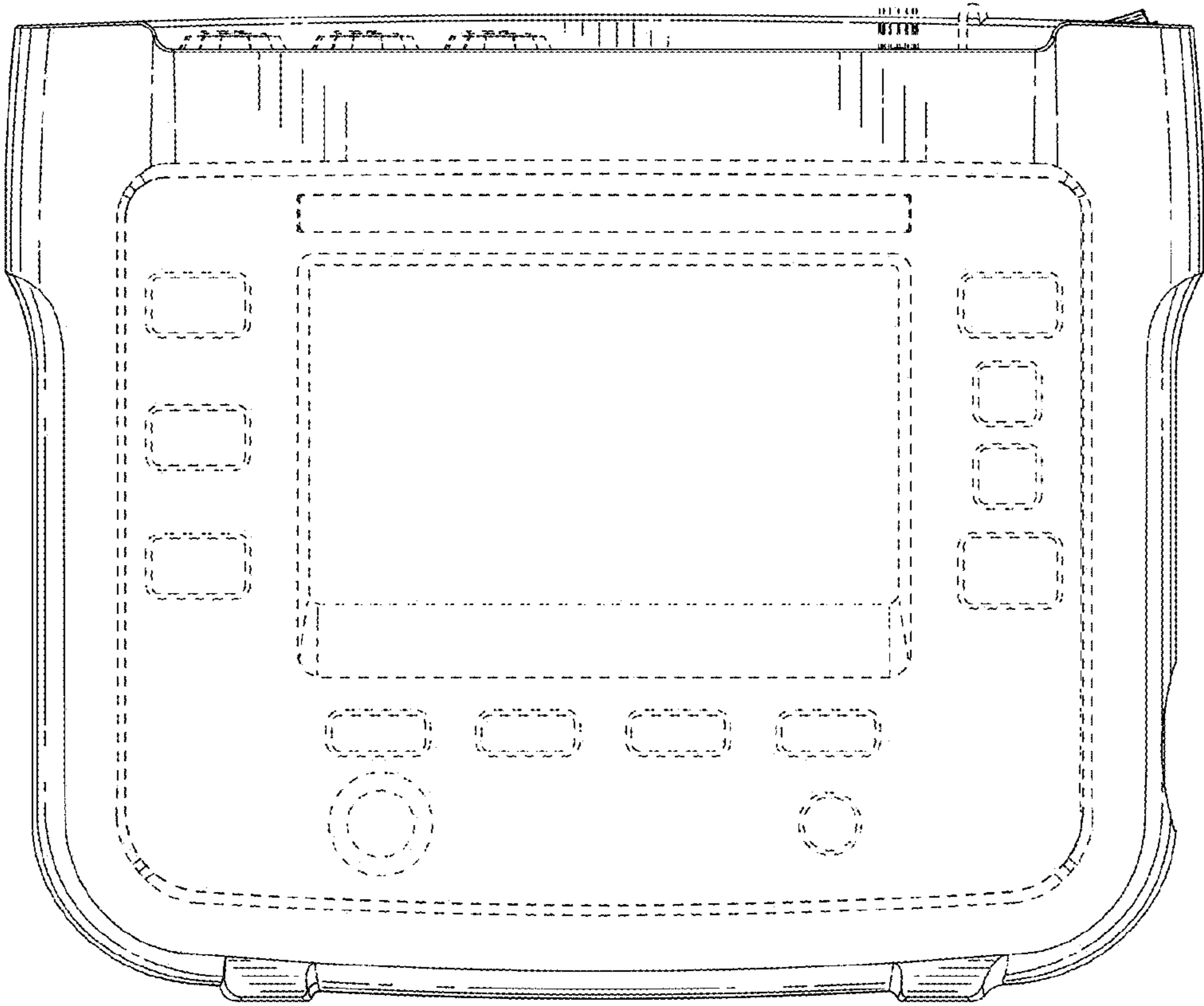


FIG. 6

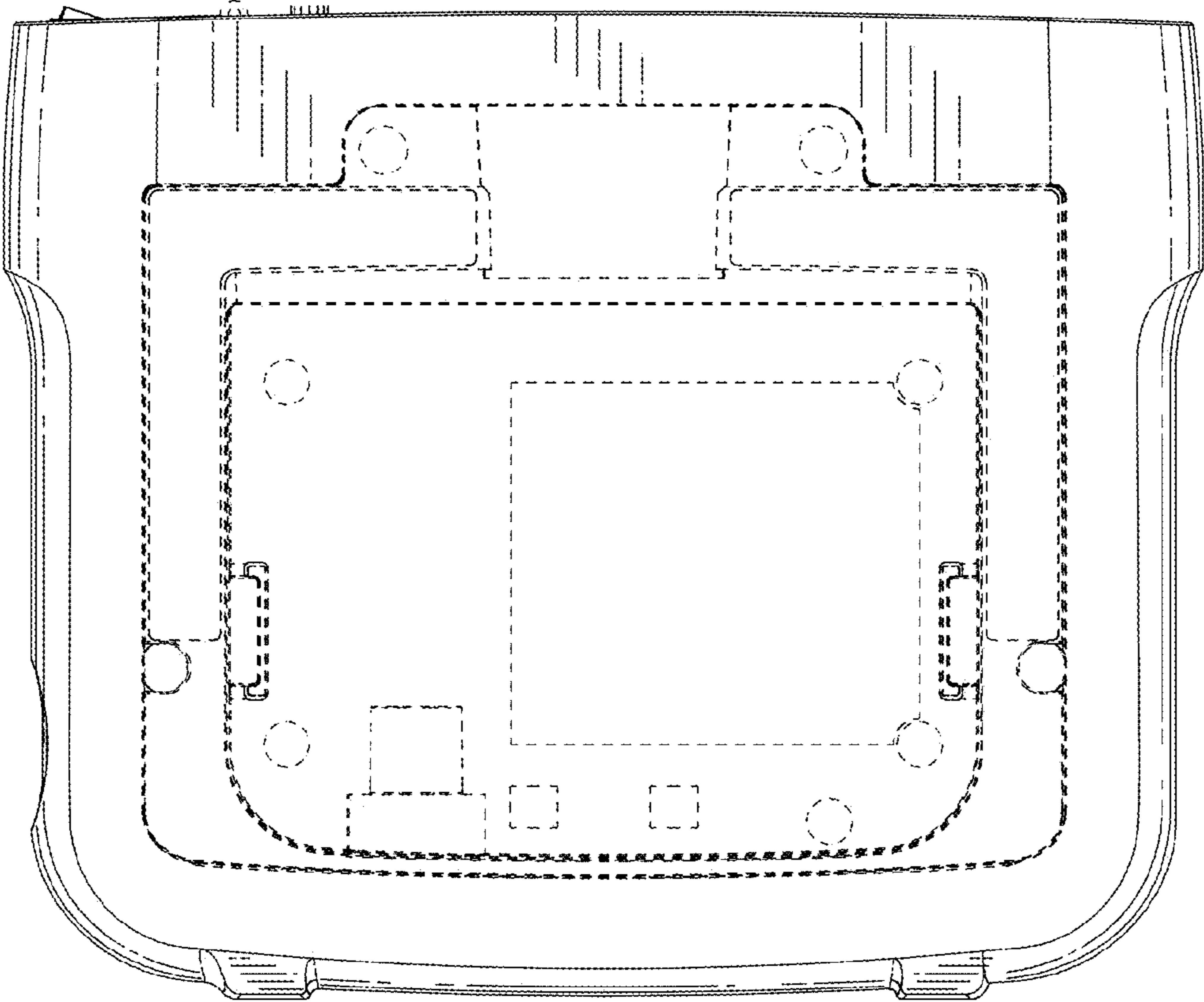


FIG. 7

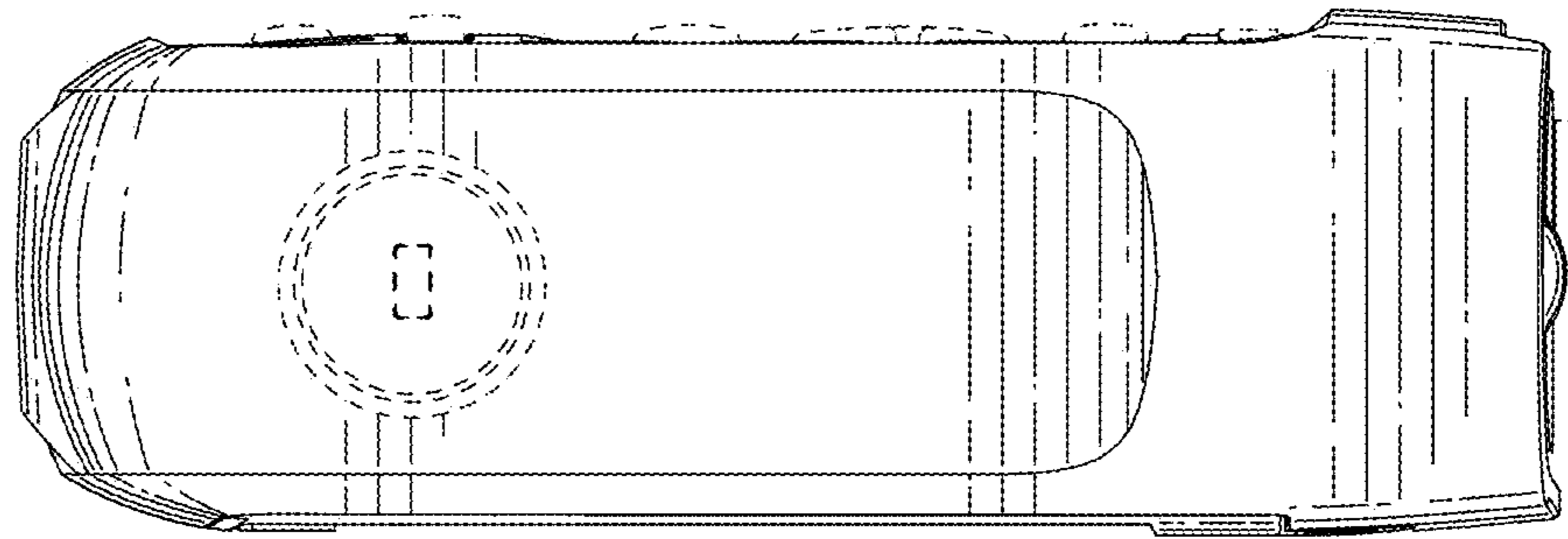


FIG. 8

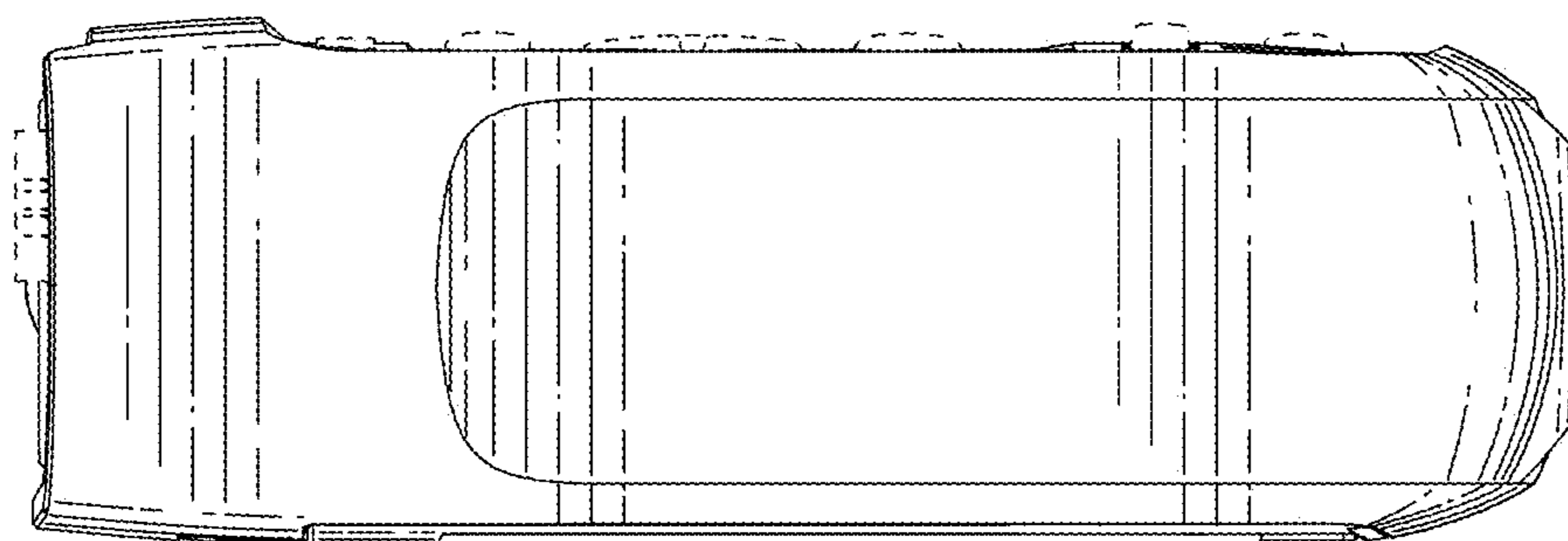


FIG. 9