



US00D750983S

(12) **United States Design Patent**
Miller et al.

(10) **Patent No.:** **US D750,983 S**
(45) **Date of Patent:** **** Mar. 8, 2016**

(54) **MEASUREMENT GAUGE**

(71) Applicant: **Physical Optics Corporation**, Torrance,
CA (US)

(72) Inventors: **David Harold Miller**, San Pedro, CA
(US); **Christopher Thad Ulmer**, San
Pedro, CA (US); **Edward Matthew
Patton**, Torrance, CA (US)

(73) Assignee: **Physical Optics Corporation**, Torrance,
CA (US)

(**) Term: **14 Years**

(21) Appl. No.: **29/516,414**

(22) Filed: **Feb. 2, 2015**

Related U.S. Application Data

(63) Continuation-in-part of application No. 13/717,476,
filed on Dec. 17, 2012, now Pat. No. 9,032,640.

(51) **LOC (10) Cl.** **10-04**

(52) **U.S. Cl.**
USPC **D10/65; D10/73**

(58) **Field of Classification Search**
USPC D10/65, 73
CPC G01B 5/02; G01B 5/025; G01B 5/04;
G01B 5/043; G01B 5/046; G01B 5/06;
G01B 5/061; G01B 5/063; G01B 5/065;
G01B 5/066; G01B 5/068; G01B 5/004;
G01B 5/08

See application file for complete search history.

(56) **References Cited**

U.S. PATENT DOCUMENTS

D198,710 S * 7/1964 Himmelsbach et al. D10/73
D254,655 S * 4/1980 Brickwood D10/73

Primary Examiner — Antoine D Davis

(74) *Attorney, Agent, or Firm* — Sheppard Mullin Richter &
Hampton LLP

(57) **CLAIM**

We claim the ornamental design for measurement gauge, as
shown and described.

DESCRIPTION

One or more inventions described herein are partially sup-
ported by the following contract for the Department of Air
Force awarded by the Air Force Research Labs under contract
number FA8650-11C-5100. The Government may have par-
tial rights in such inventions.

FIG. 1 is a perspective view of a first embodiment of an
ornamental design for a measurement gauge;

FIG. 2 is a bottom view of the first embodiment thereof;

FIG. 3 is a top view of the first embodiment thereof;

FIG. 4 is a left side view of the first embodiment thereof;

FIG. 5 is a right side view of the first embodiment thereof;

FIG. 6 is a front view of the first embodiment thereof;

FIG. 7 is a rear view of the first embodiment thereof; and

FIG. 8 is a perspective view of a second embodiment of an
ornamental design for a measurement gauge;

FIG. 9 is a bottom view of the second embodiment thereof;

FIG. 10 is a top view of the second embodiment thereof;

FIG. 11 is a left side view of the second embodiment thereof;

FIG. 12 is a right side view of the second embodiment thereof;

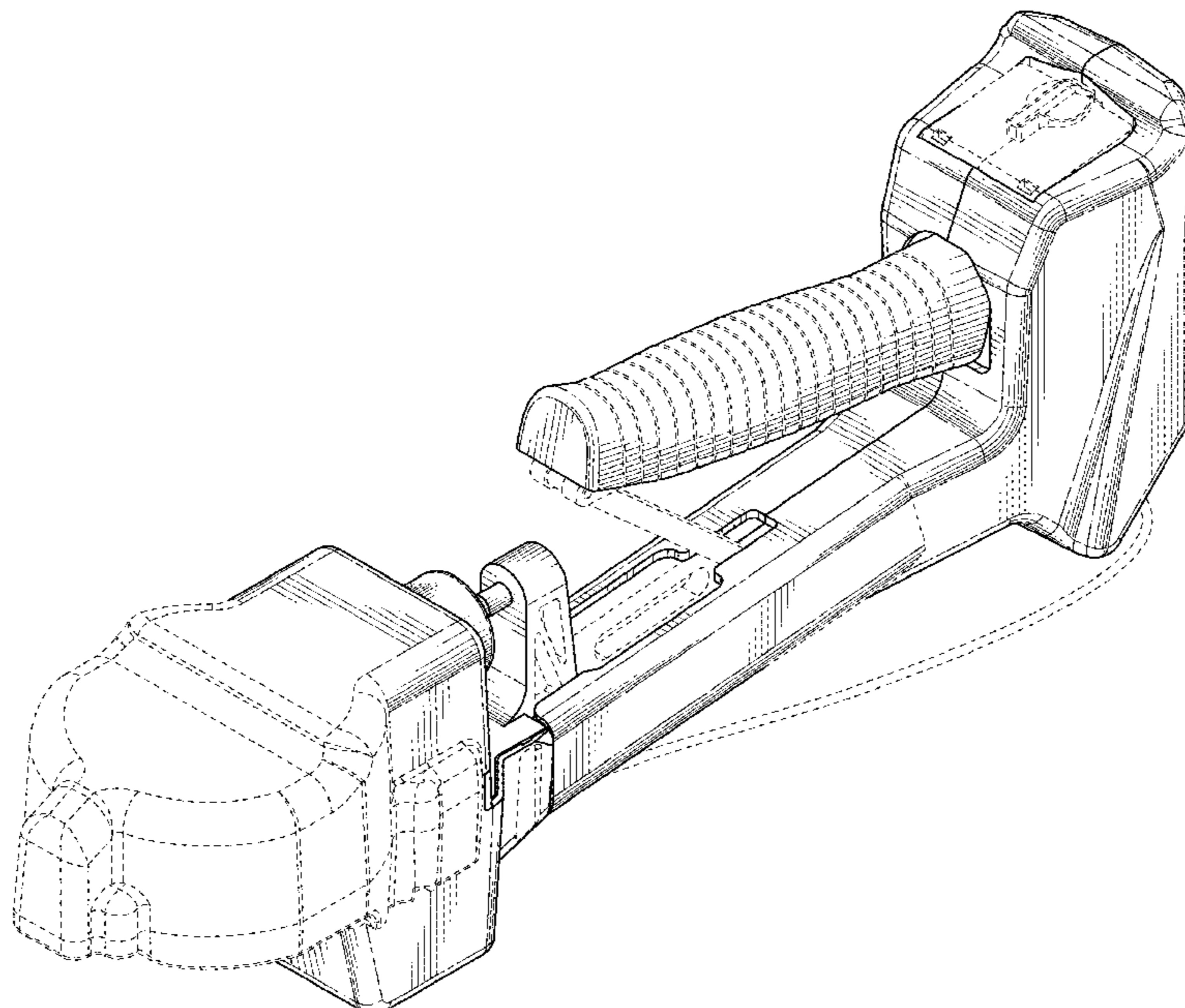
FIG. 13 is a front view of the second embodiment thereof;

and,

FIG. 14 is a rear view of the second embodiment thereof.

The broken lines of the measurement gauge form no part of
the claimed design.

1 Claim, 12 Drawing Sheets



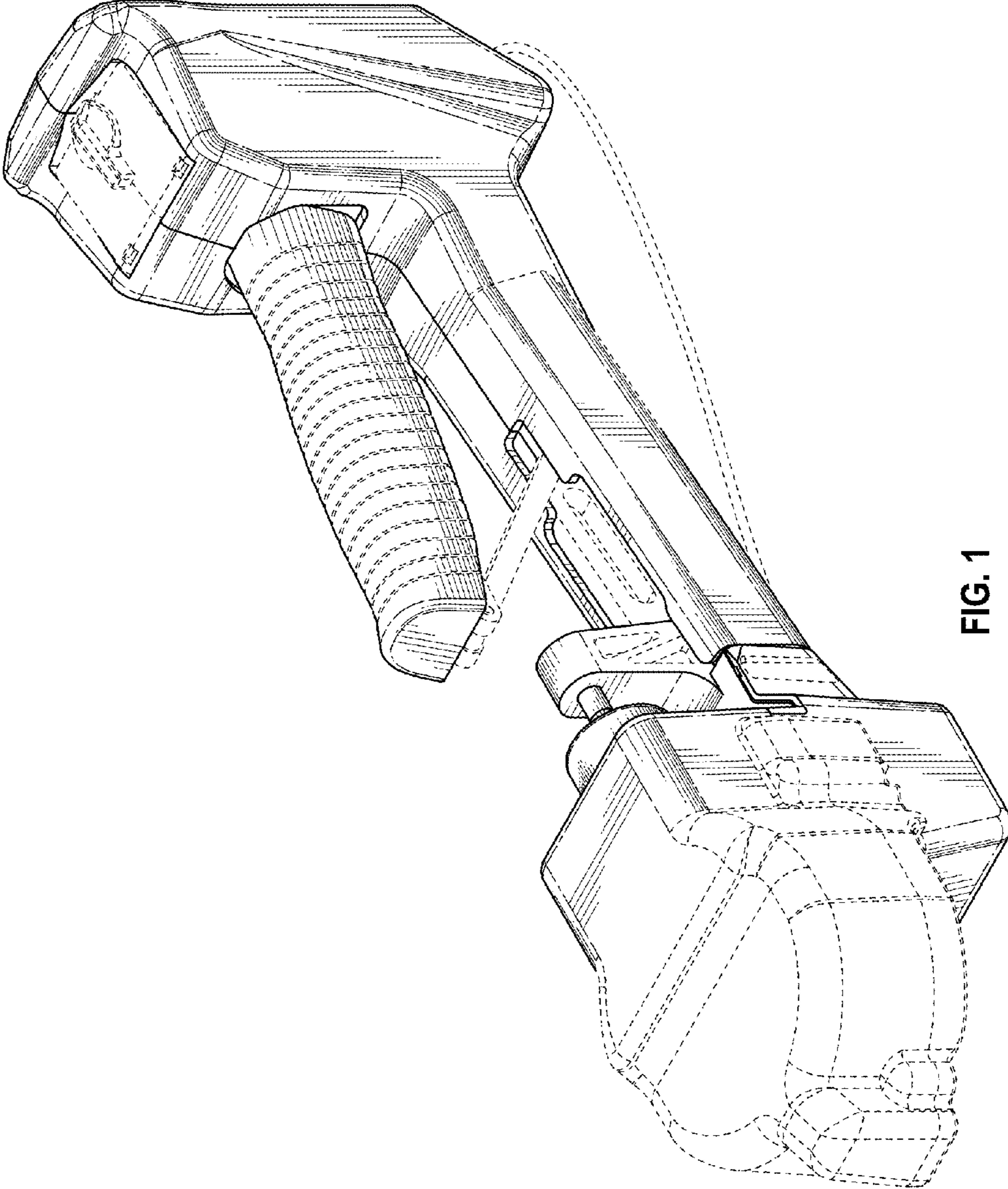


FIG. 1

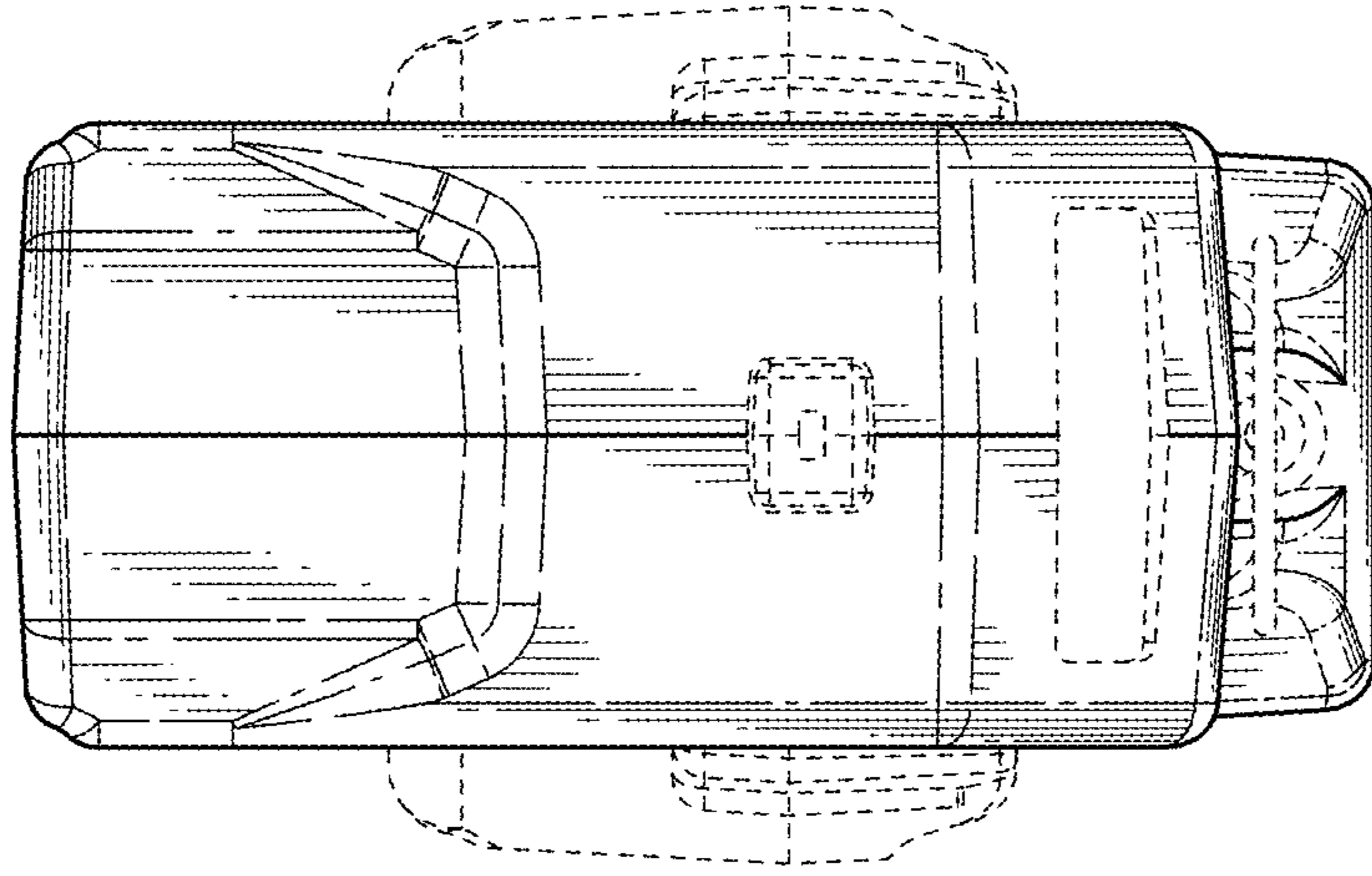


FIG. 3

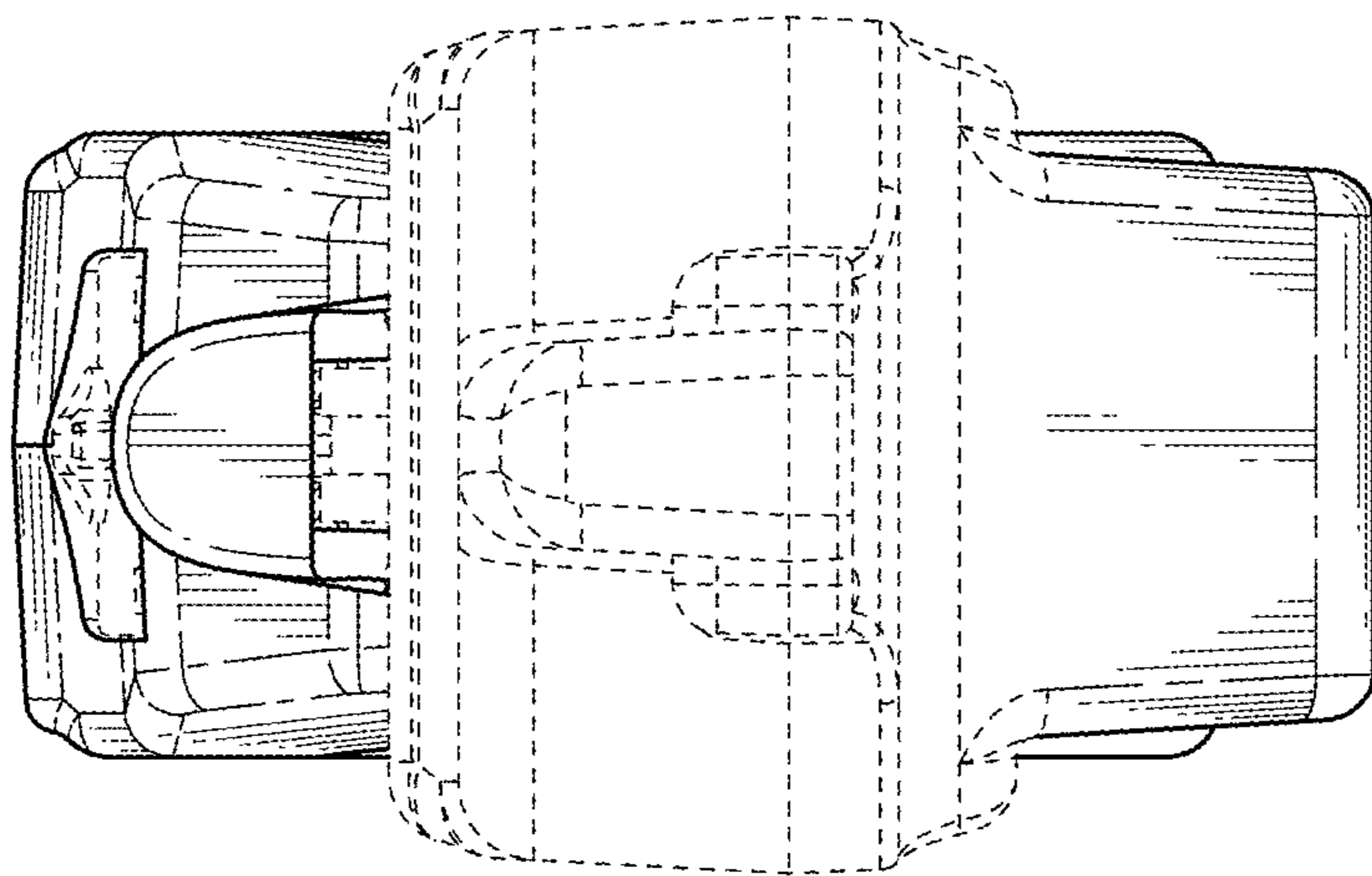


FIG. 2

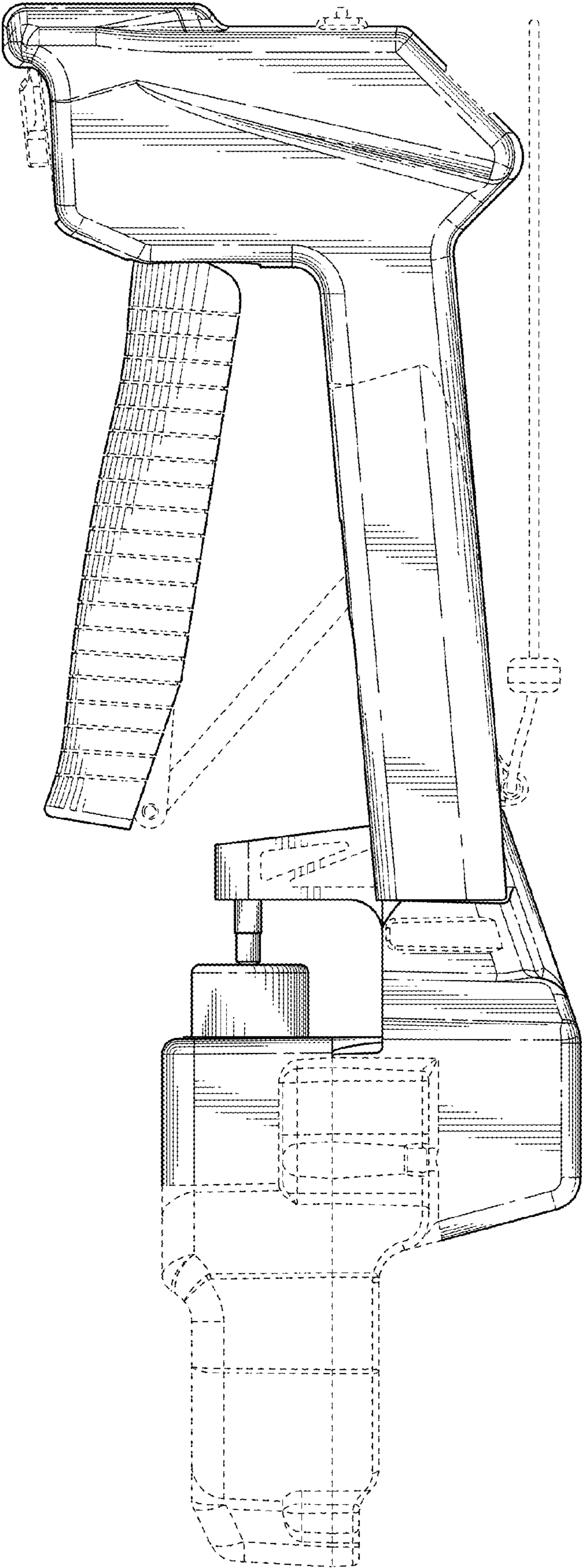


FIG. 4

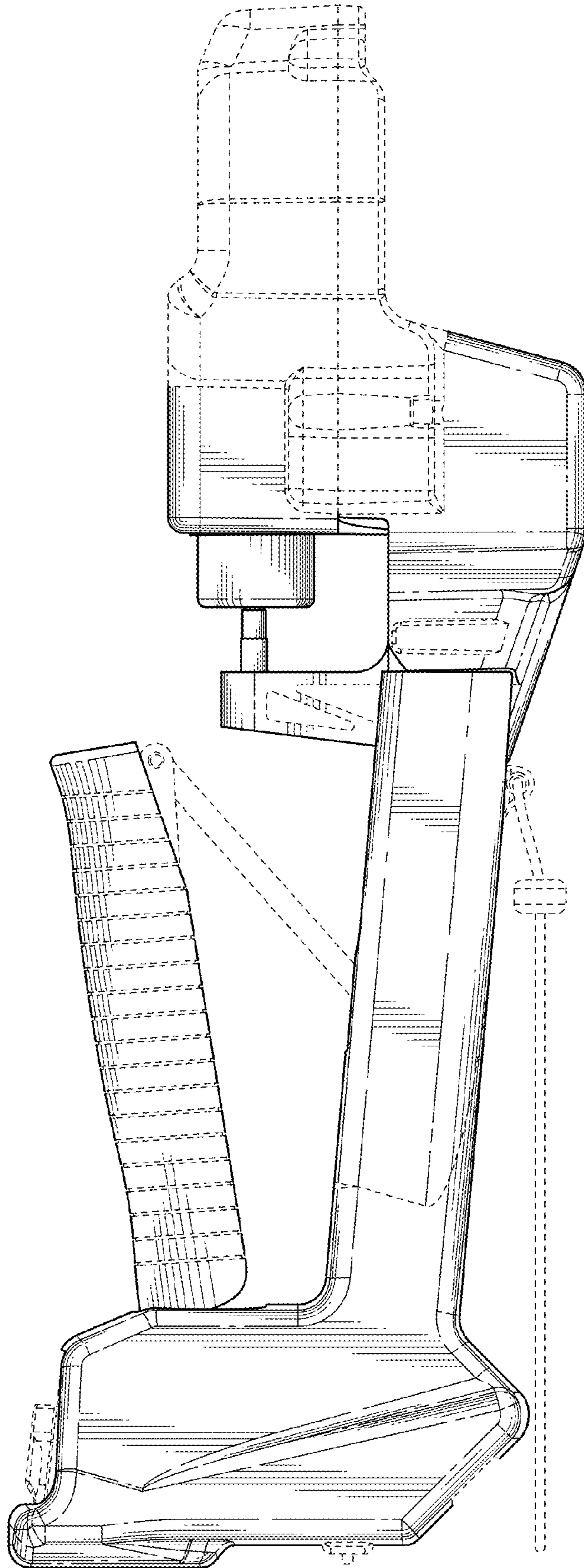


FIG. 5

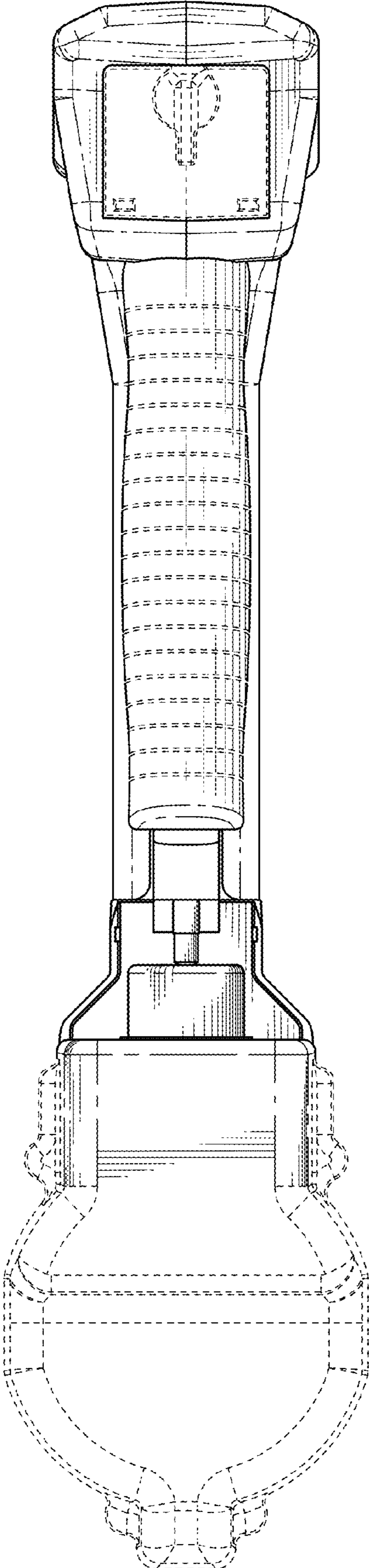


FIG. 6

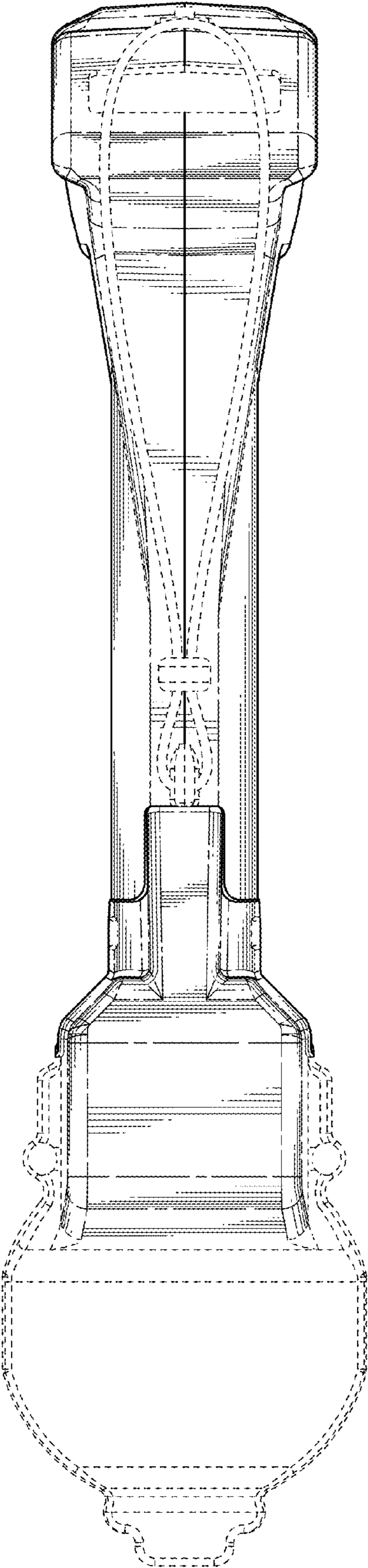


FIG. 7

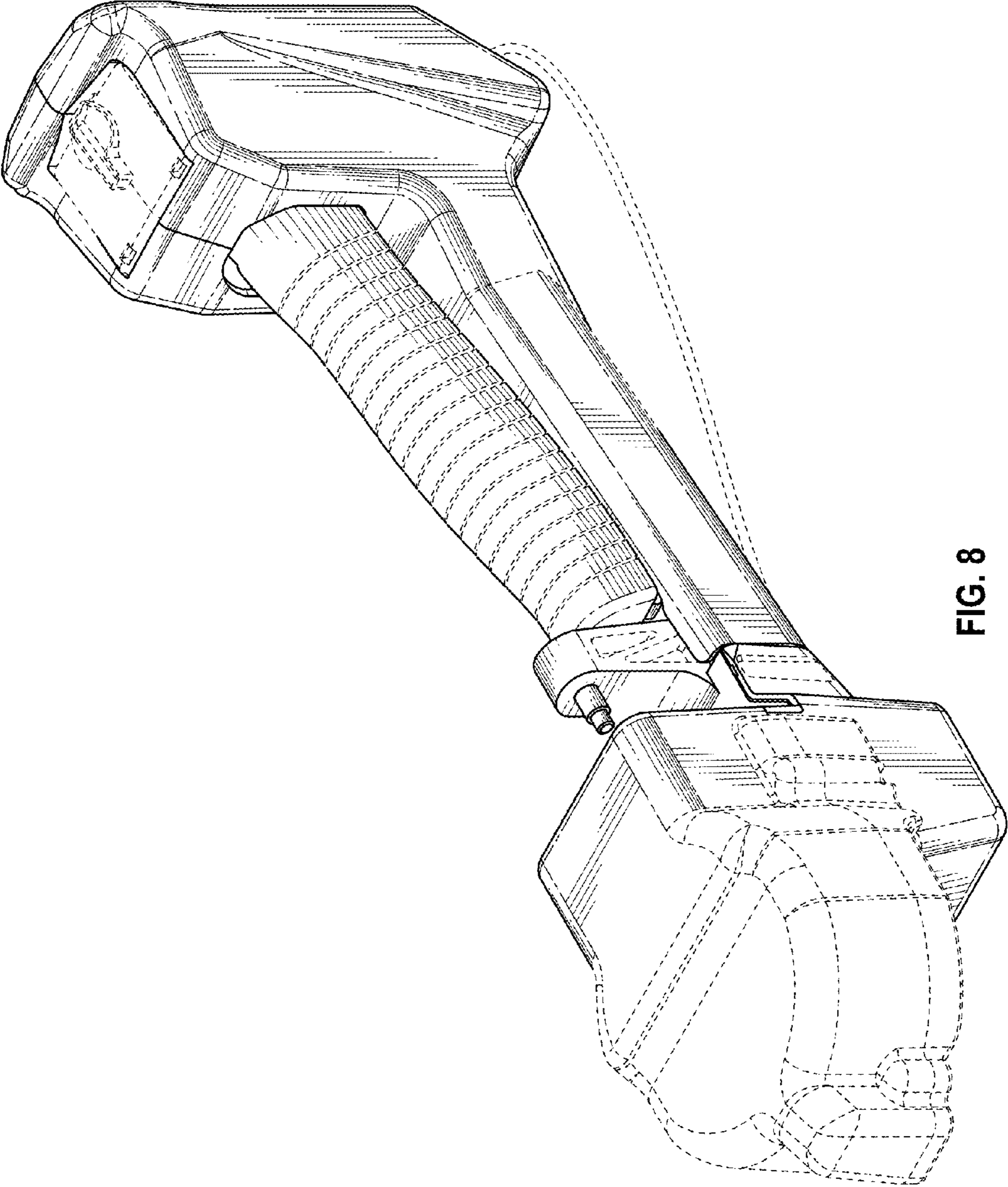


FIG. 8

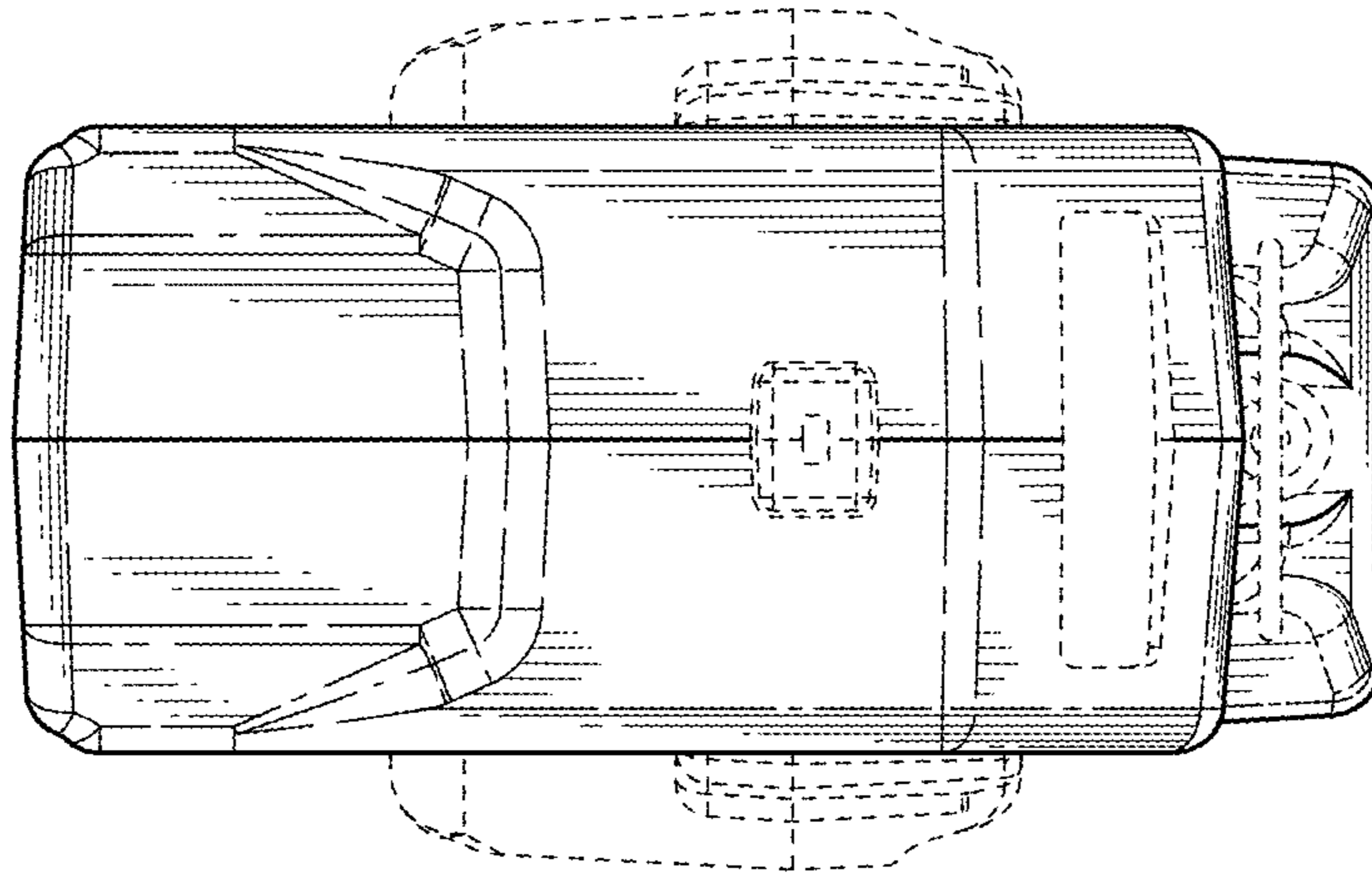


FIG. 10

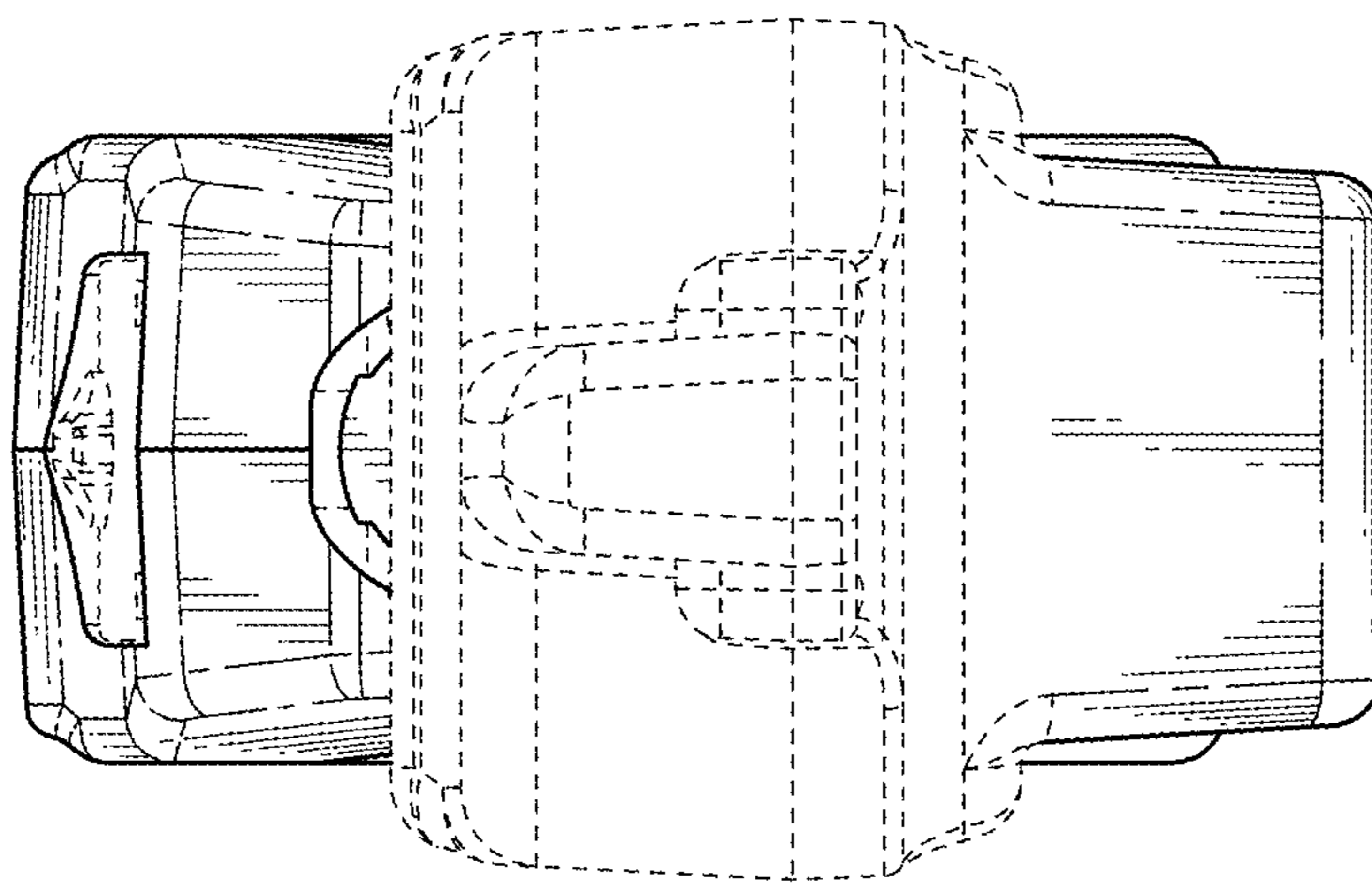


FIG. 9

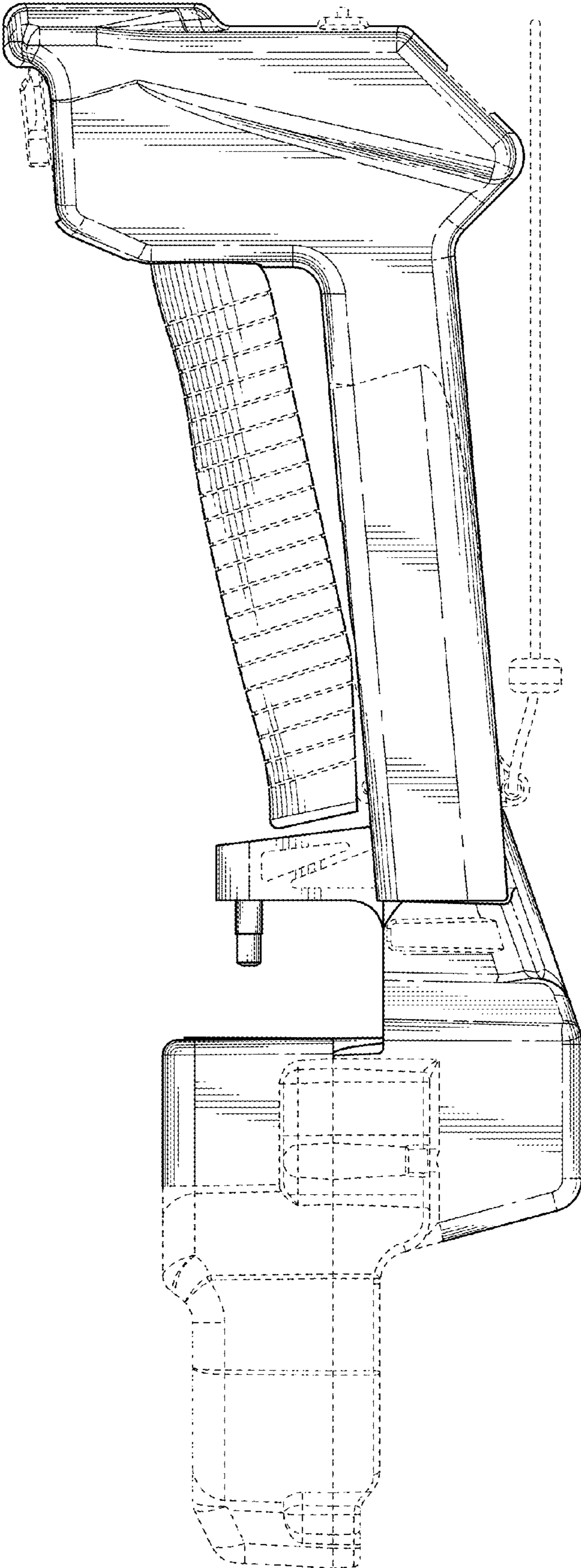


FIG. 11

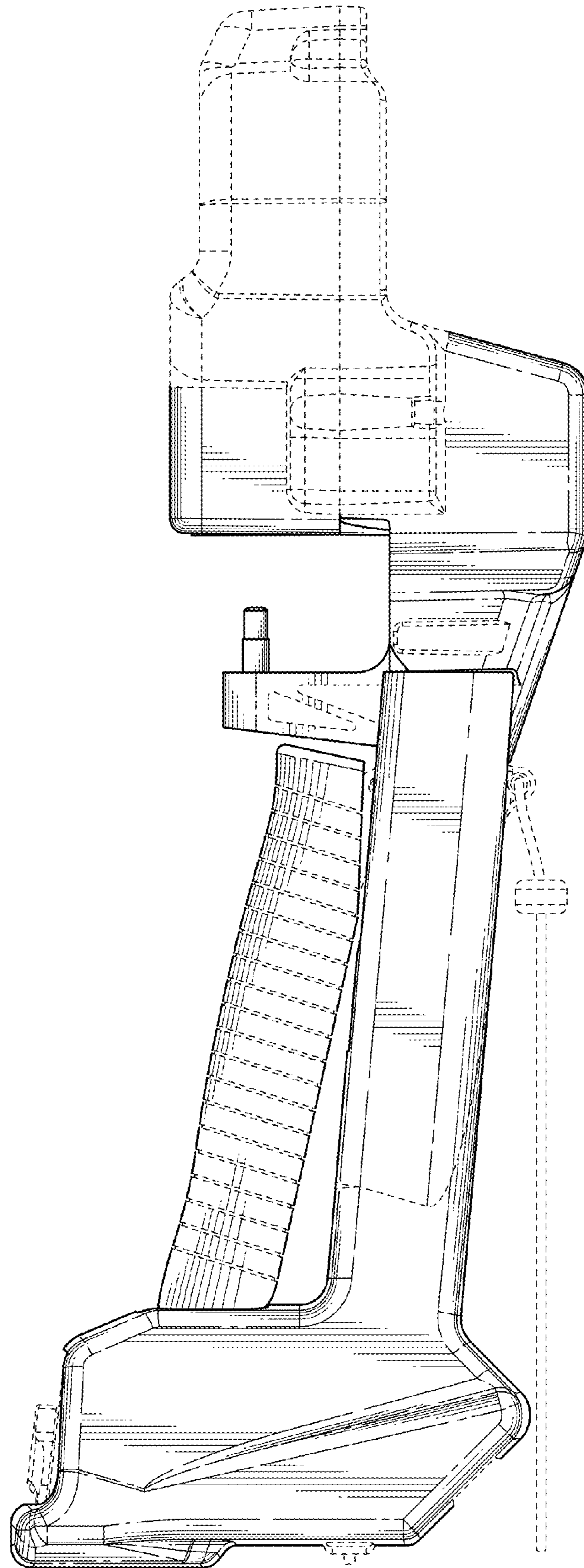


FIG. 12

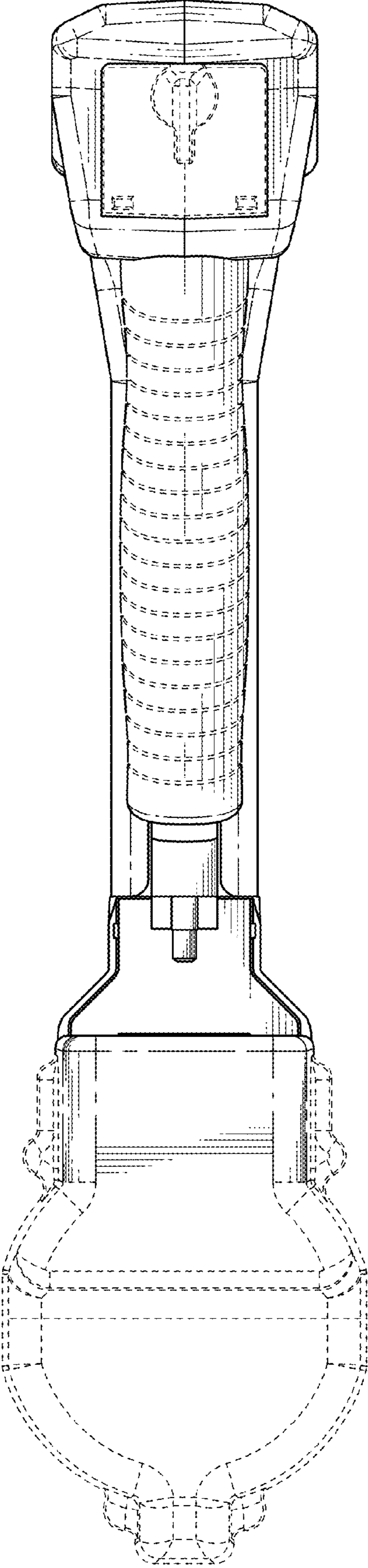


FIG. 13

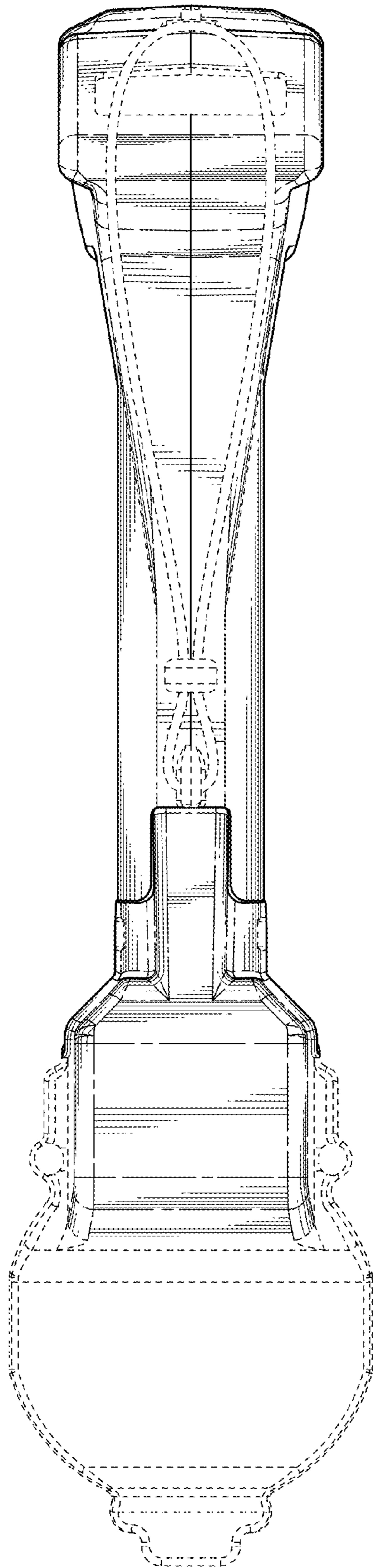


FIG. 14