



US00D750979S

(12) **United States Design Patent**
Roth

(10) **Patent No.:** **US D750,979 S**
(45) **Date of Patent:** **** Mar. 8, 2016**

(54) **LIGHT SENSOR**

(71) Applicant: **Gentex Corporation**, Zeeland, MI (US)

(72) Inventor: **Mark R. Roth**, Coloma, MI (US)

(73) Assignee: **GENTEX CORPORATION**, Zeeland, MI (US)

(**) Term: **14 Years**

(21) Appl. No.: **29/506,060**

(22) Filed: **Oct. 13, 2014**

(51) **LOC (10) Cl.** **10-04**

(52) **U.S. Cl.**
USPC **D10/46**

(58) **Field of Classification Search**
USPC D10/46
CPC .. B60R 1/088; B60R 1/12; B60R 2001/1223;
G01J 1/0271; G01J 1/02; G01J 1/0488;
G01J 1/4228; H01L 31/01
See application file for complete search history.

(56) **References Cited**

U.S. PATENT DOCUMENTS

D333,629 S *	3/1993	Johnson	D10/78
7,110,156 B2 *	9/2006	Lawlor	B60R 1/04 250/205
D651,104 S *	12/2011	Mori	D10/70
8,434,359 B2 *	5/2013	Niemann	B60S 1/087 250/200
D683,634 S *	6/2013	Hayakawa	D10/46
8,620,523 B2 *	12/2013	Nelson	B60R 1/12 359/843

* cited by examiner

Primary Examiner — Antoine D Davis

(74) *Attorney, Agent, or Firm* — Price Heneveld LLP; Scott P. Ryan

(57) **CLAIM**

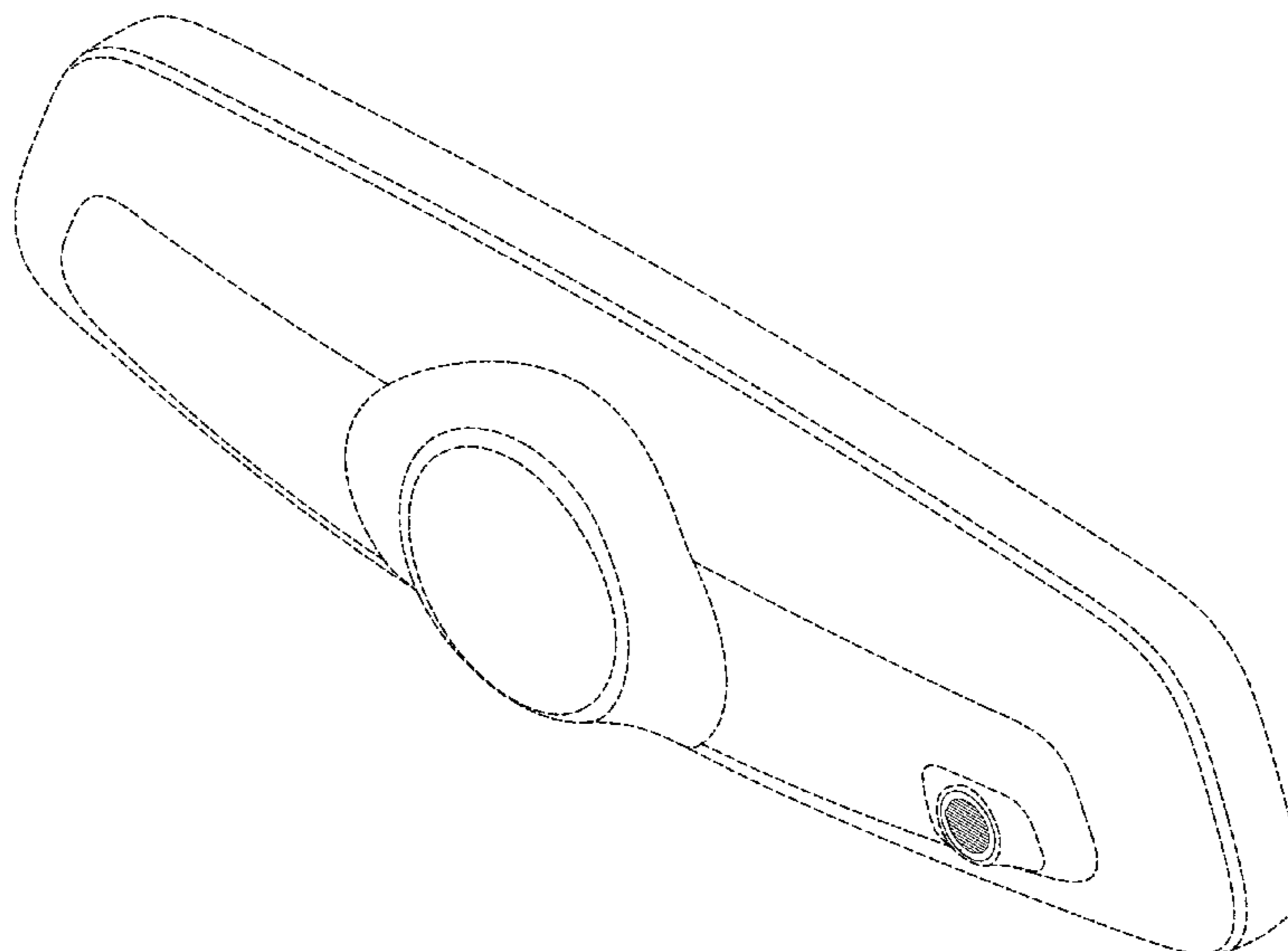
I claim the ornamental design for a light sensor, as shown and described.

DESCRIPTION

FIG. 1 is a front left perspective view of one embodiment of a light sensor of the present disclosure;
 FIG. 2 is a front right perspective view of the light sensor of FIG. 1;
 FIG. 3 is a front elevational view of the light sensor of FIG. 1;
 FIG. 4 is a top plan view of the light sensor of FIG. 1;
 FIG. 5 is a bottom plan view of the light sensor of FIG. 1;
 FIG. 6 is a first side elevational view of the light sensor of FIG. 1;
 FIG. 7 is a second side elevational view of the light sensor of FIG. 1;
 FIG. 8 is a front left perspective view of another embodiment of the light sensor of the present disclosure;
 FIG. 9 is a front right perspective view of the light sensor of FIG. 8;
 FIG. 10 is a front elevational view of the light sensor of FIG. 8;
 FIG. 11 is a top plan view of the light sensor of FIG. 8;
 FIG. 12 is a bottom plan view of the light sensor of FIG. 8;
 FIG. 13 is a first side elevational view of the light sensor of FIG. 8; and,
 FIG. 14 is a second side elevational view of the light sensor of FIG. 8.

The broken line showing of structural features is included for the purpose of illustrating non-claimed subject matter and forms no part of the claimed design.

1 Claim, 8 Drawing Sheets



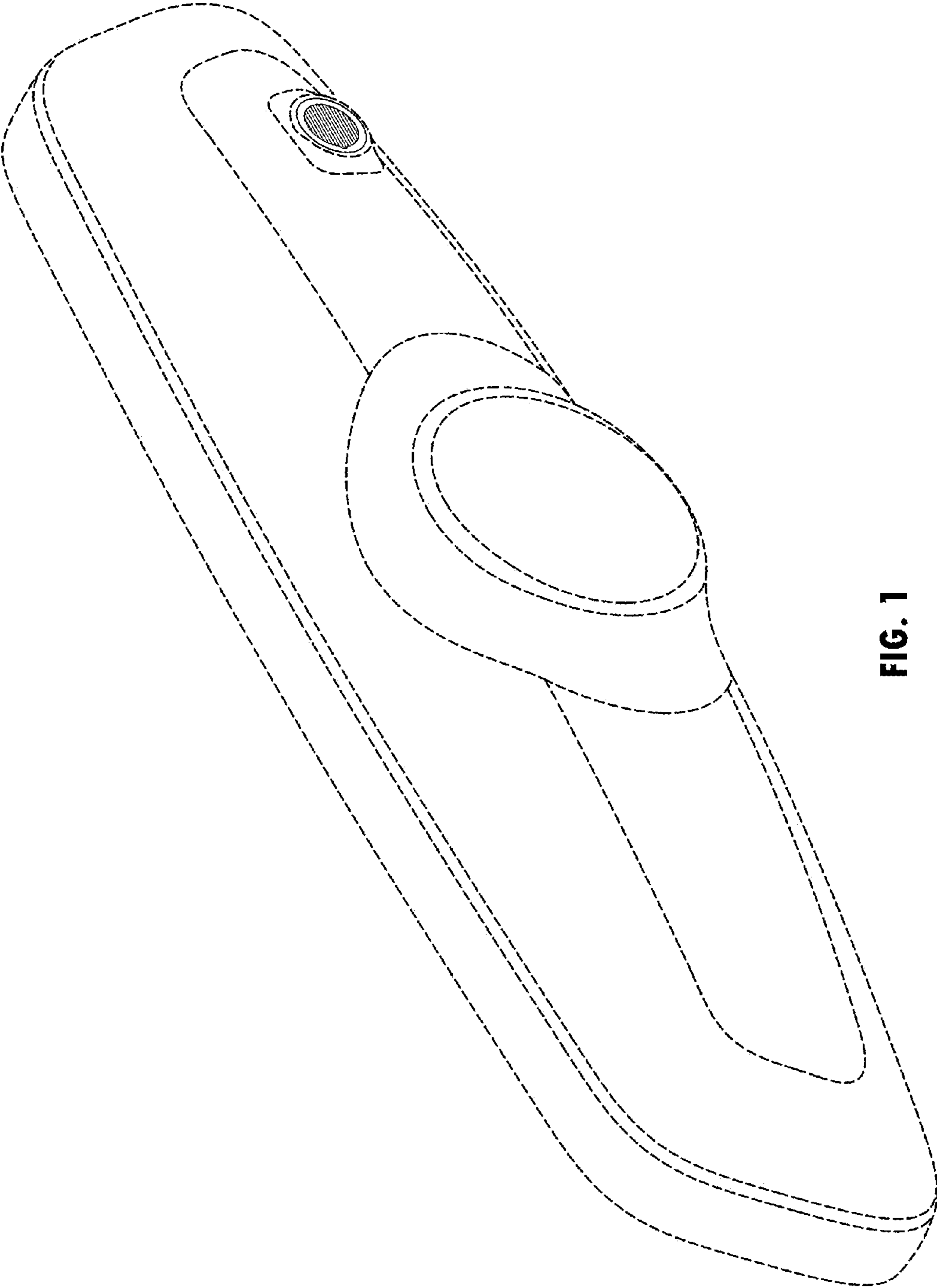


FIG. 1

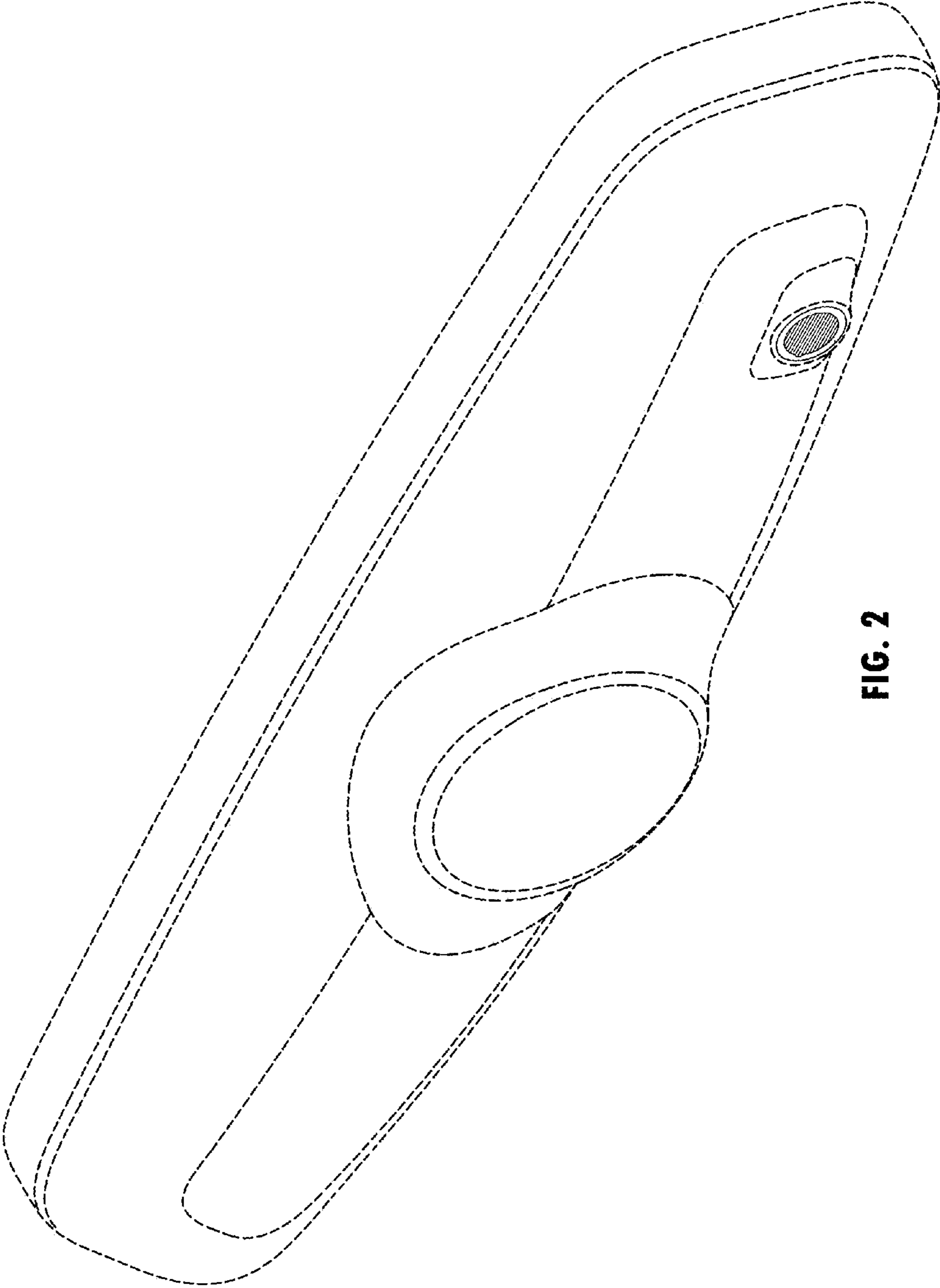


FIG. 2

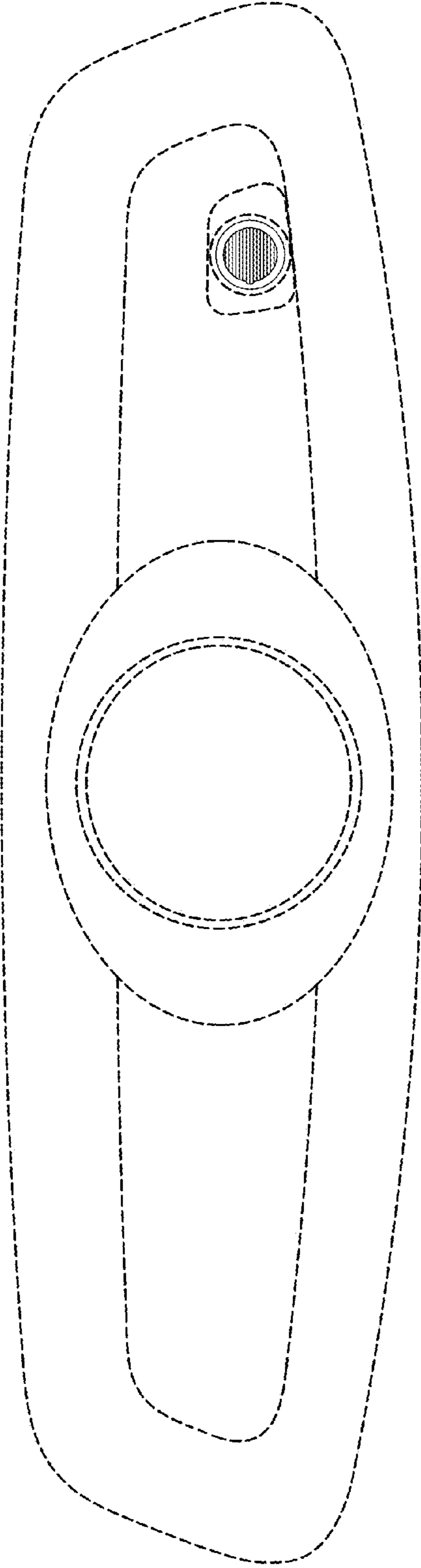


FIG. 3

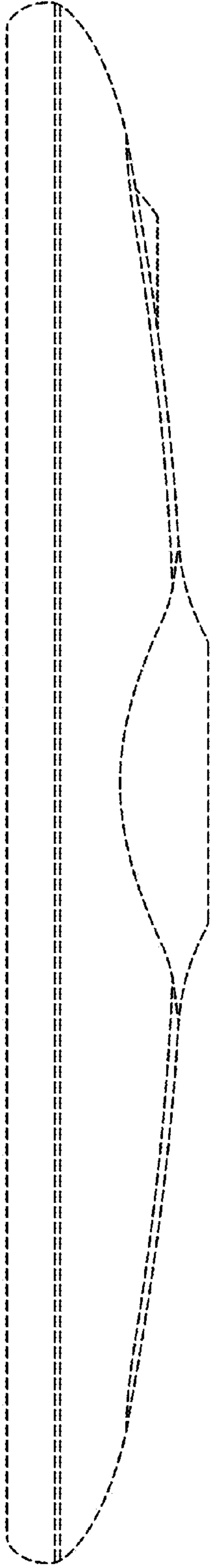


FIG. 4

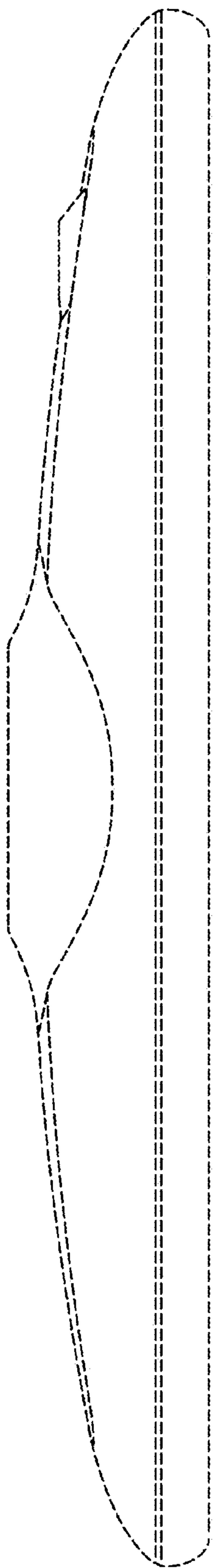


FIG. 5

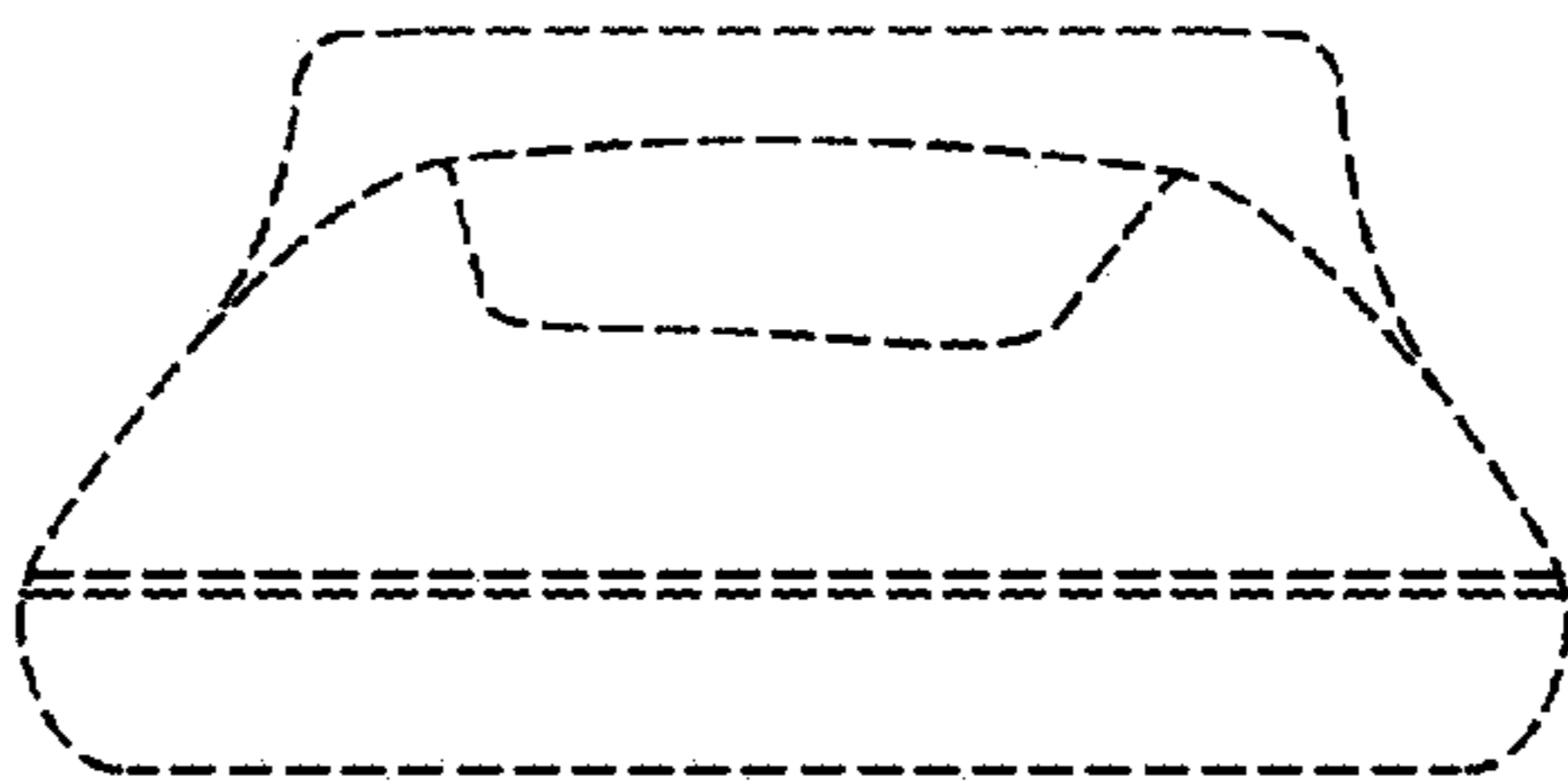


FIG. 7

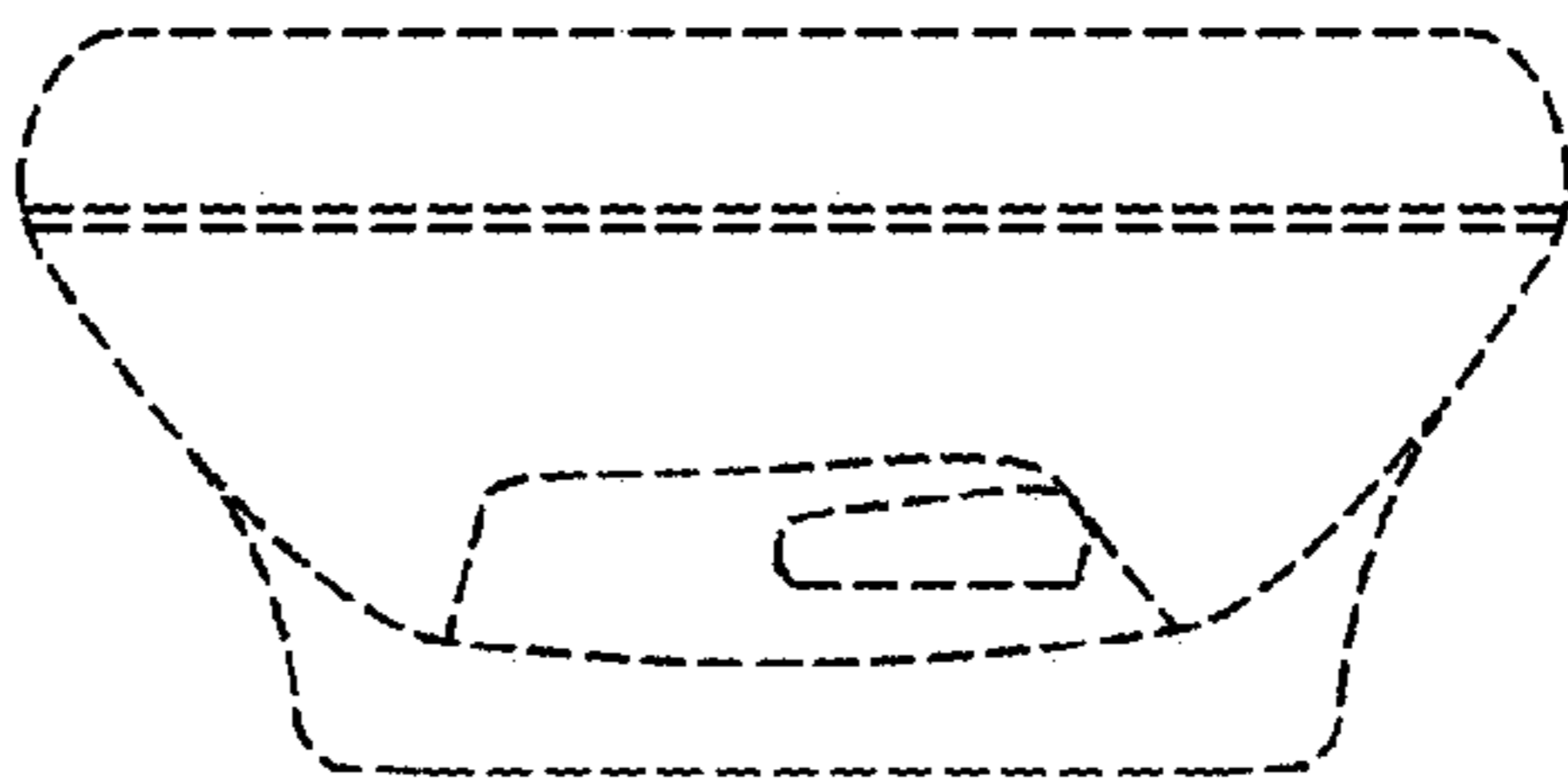


FIG. 6

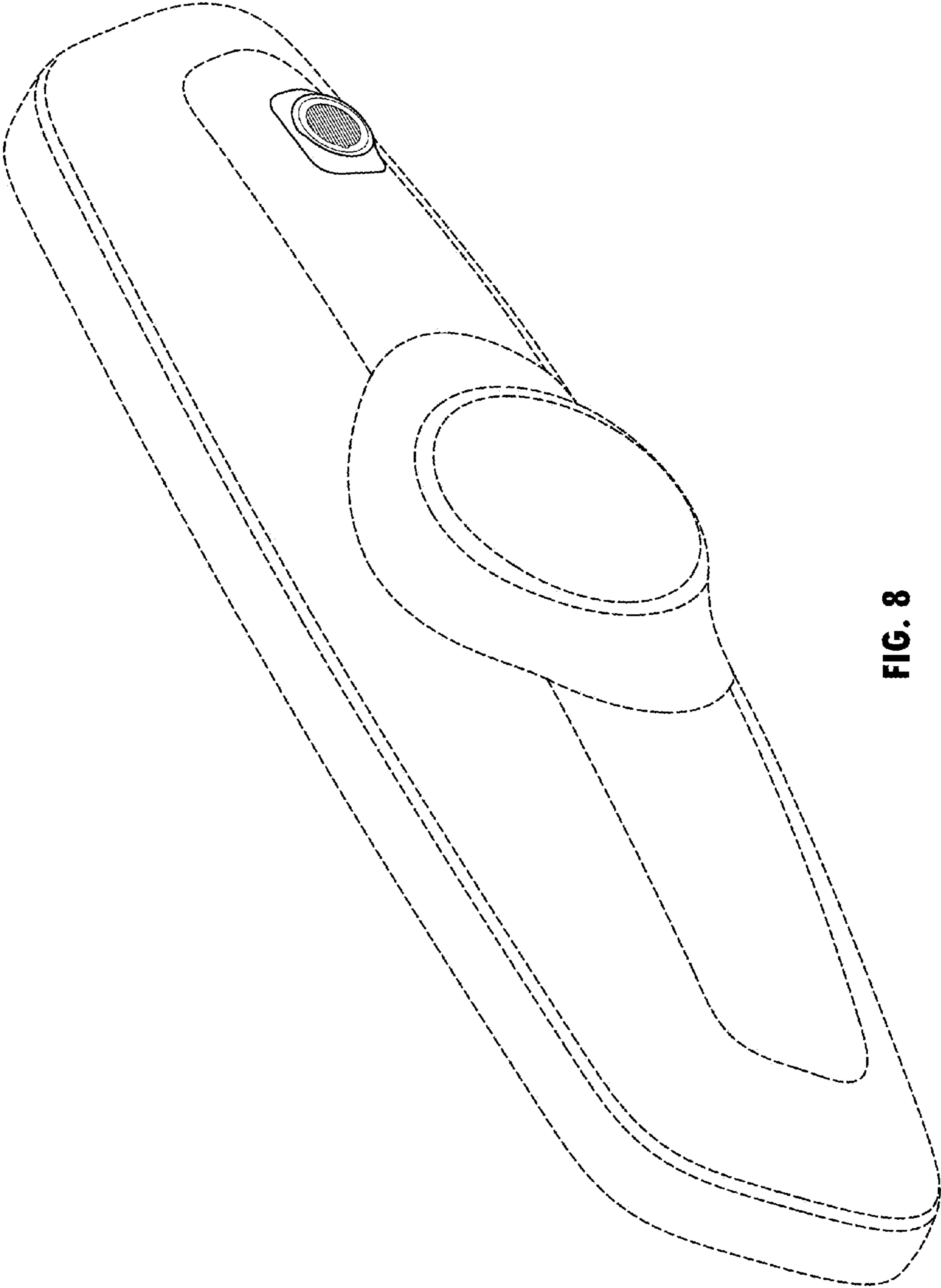


FIG. 8

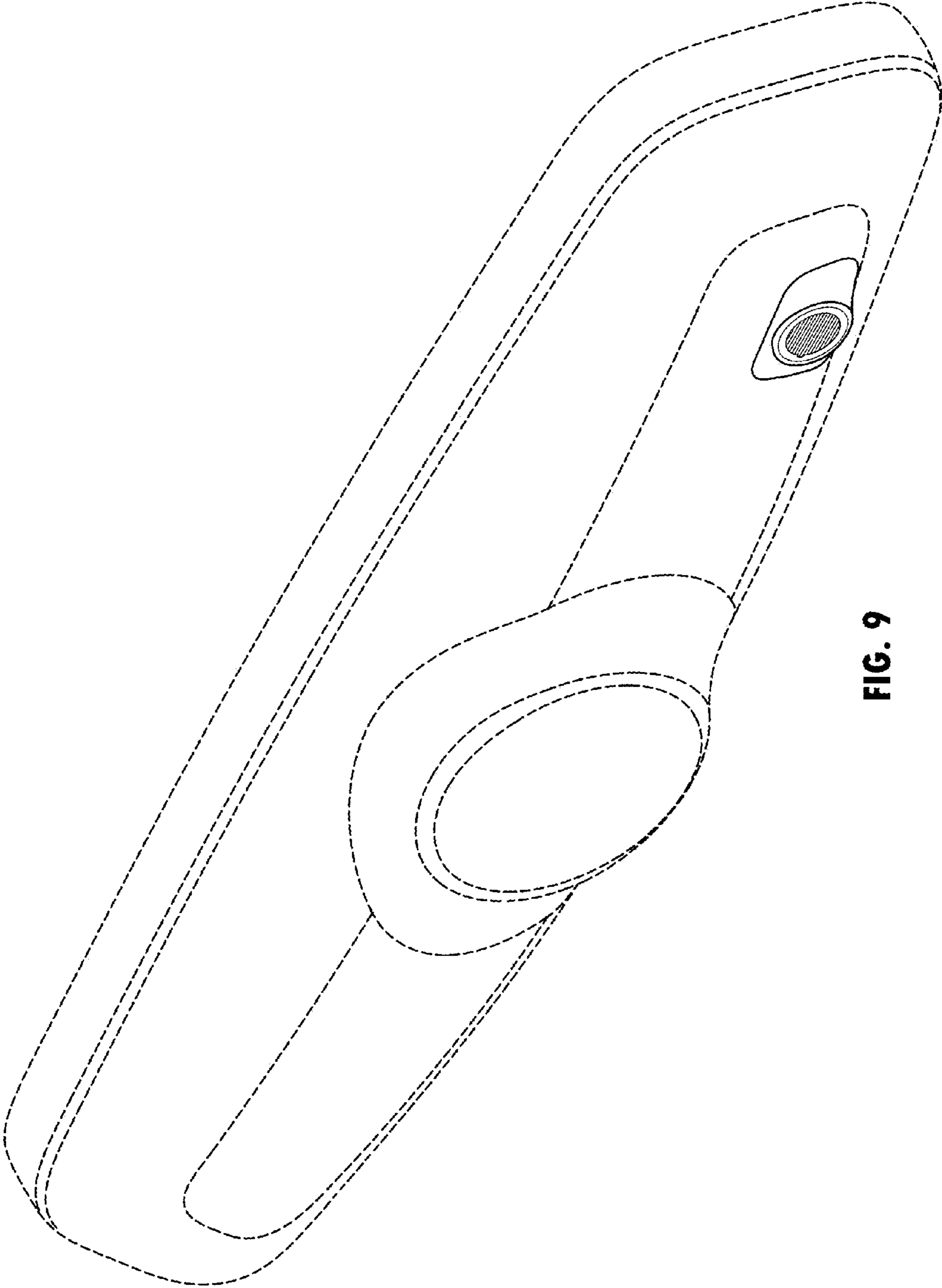


FIG. 9

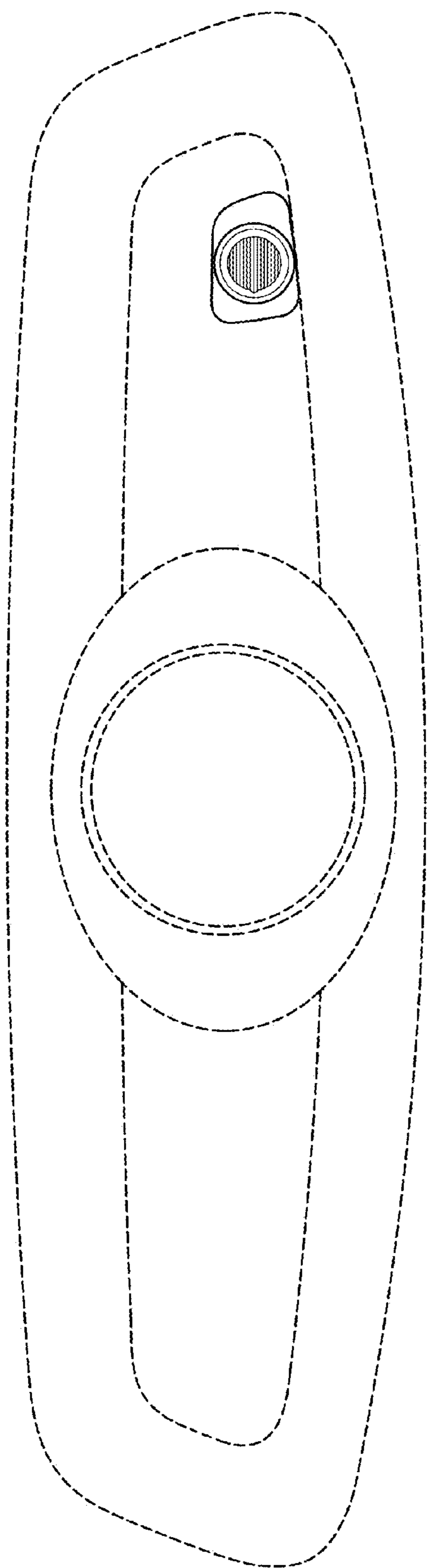


FIG. 10

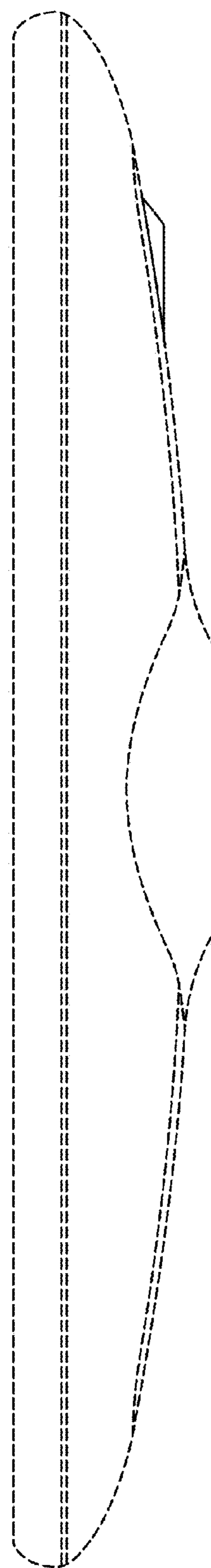


FIG. 11

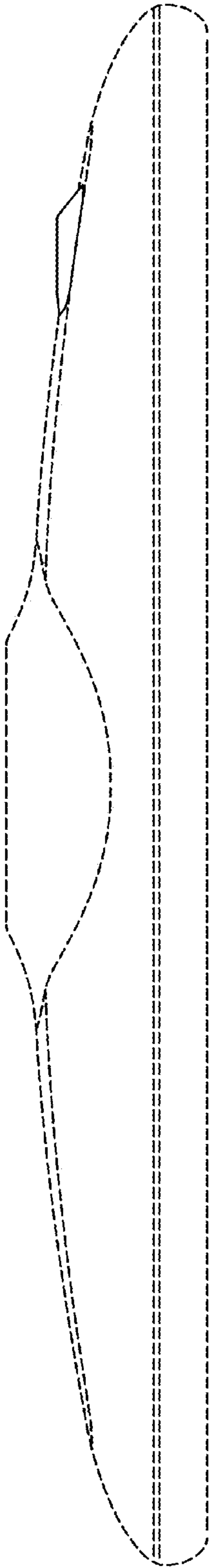


FIG. 12

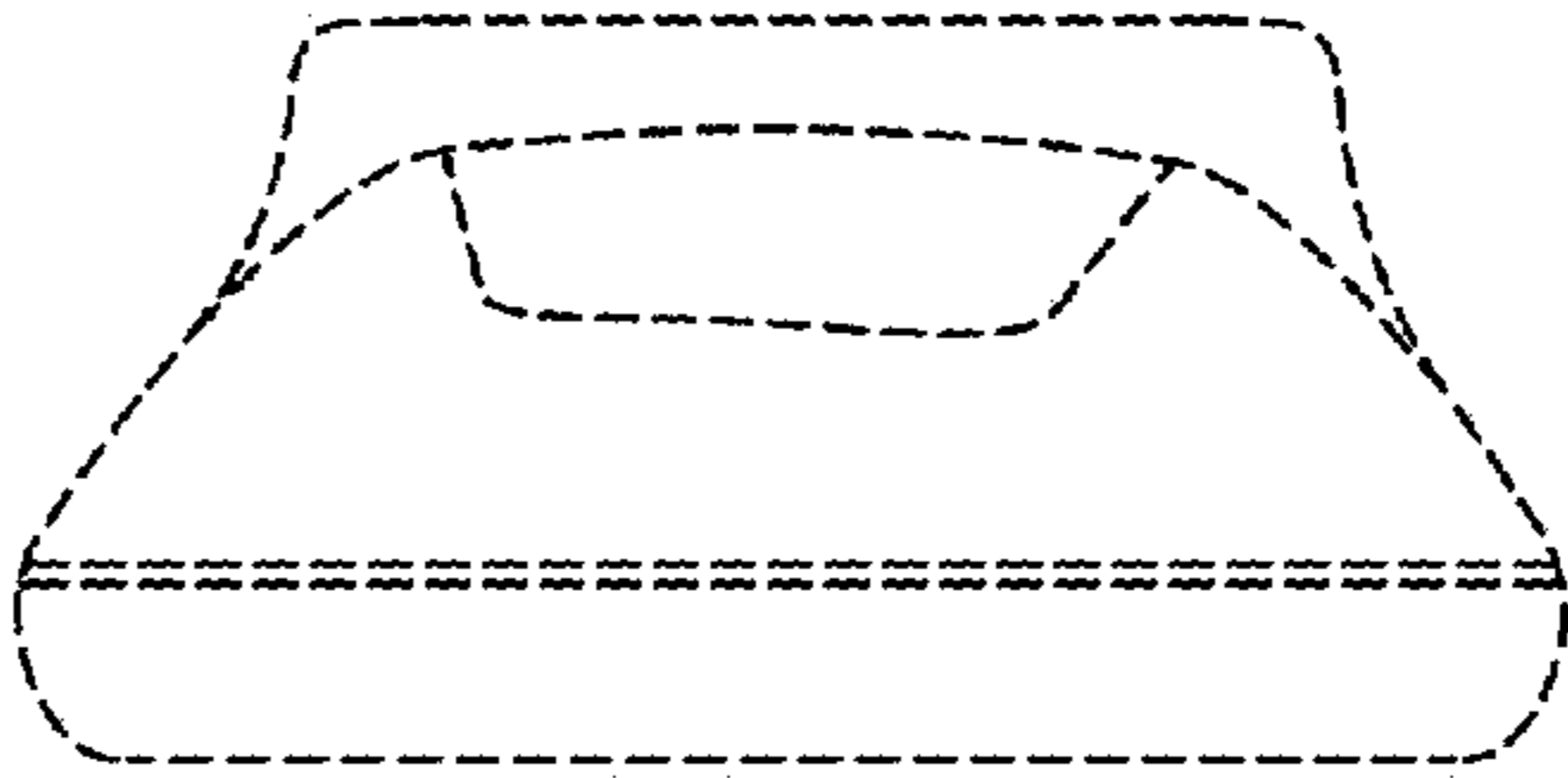


FIG. 14

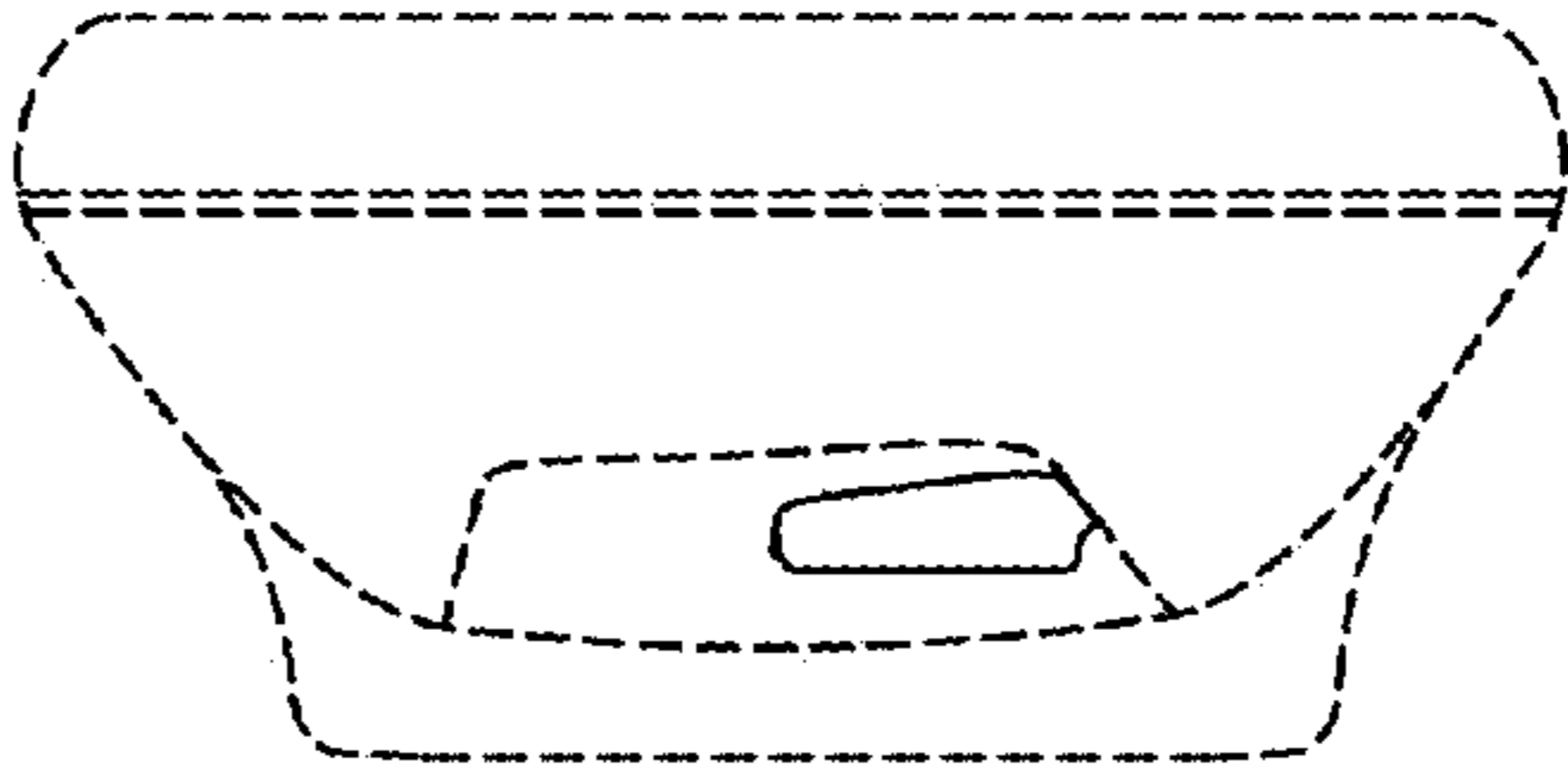


FIG. 13