



US00D750977S

(12) **United States Design Patent**
Ericksen et al.

(10) **Patent No.:** **US D750,977 S**
(45) **Date of Patent:** **** Mar. 8, 2016**

(54) **TIMER**

(71) Applicant: **Orbit Irrigation Products, Inc.**, North Salt Lake, UT (US)

(72) Inventors: **Kent C. Ericksen**, Centerville, UT (US);
Karl L. Connolly, Bountiful, UT (US);
Jeffrey C. Thurgood, Severance, CO (US)

(73) Assignee: **Orbit Irrigation Products, Inc.**, North Salt Lake, UT (US)

(**) Term: **15 Years**

(21) Appl. No.: **29/546,847**

(22) Filed: **Nov. 25, 2015**

Related U.S. Application Data

(60) Continuation of application No. 29/532,141, filed on Jul. 1, 2015, which is a continuation of application No. 29/500,449, filed on Aug. 25, 2014, now Pat. No. Des. 736,104, which is a division of application No. 29/450,680, filed on Mar. 20, 2013, now Pat. No. Des. 713,271.

(51) **LOC (10) Cl.** **10-03**

(52) **U.S. Cl.**
USPC **D10/40**

(58) **Field of Classification Search**
USPC D10/40, 122; D13/162.1; D23/245, 246
CPC A01G 25/00; A01G 25/16; A01G 25/162;
A01G 25/165; B05B 12/00; B05B 12/02;
F16K 31/48; G05D 7/00; G05D 7/06; G05D
7/0635; G04F 3/00; G04F 3/02

See application file for complete search history.

(56) **References Cited**

U.S. PATENT DOCUMENTS

D53,726 S	8/1919	Berge	
1,865,965 A	7/1932	Ruiz	
D191,294 S	9/1961	Charnota et al.	
4,562,865 A	1/1986	Lemkin et al.	
D282,446 S	2/1986	Gremonprez et al.	
D295,778 S	5/1988	Bruninga et al.	
4,807,664 A	2/1989	Wilson et al.	
D309,175 S	7/1990	Hastings et al.	
4,951,204 A *	8/1990	Mylne, III	A01G 25/16 239/69
5,135,168 A *	8/1992	Wang	A01G 25/162 137/624.18
5,262,936 A *	11/1993	Faris	A01G 25/16 239/70
D365,771 S	1/1996	Clivio	
D386,985 S	12/1997	Cameron	
D427,085 S	6/2000	Steinhagen	
D450,604 S	11/2001	Stekelenburg	
D452,695 S	1/2002	Miller	

(Continued)

OTHER PUBLICATIONS

U.S. Appl. No. 29/532,141, filed Jul. 1, 2015, Kent C. Ericksen et al.
(Continued)

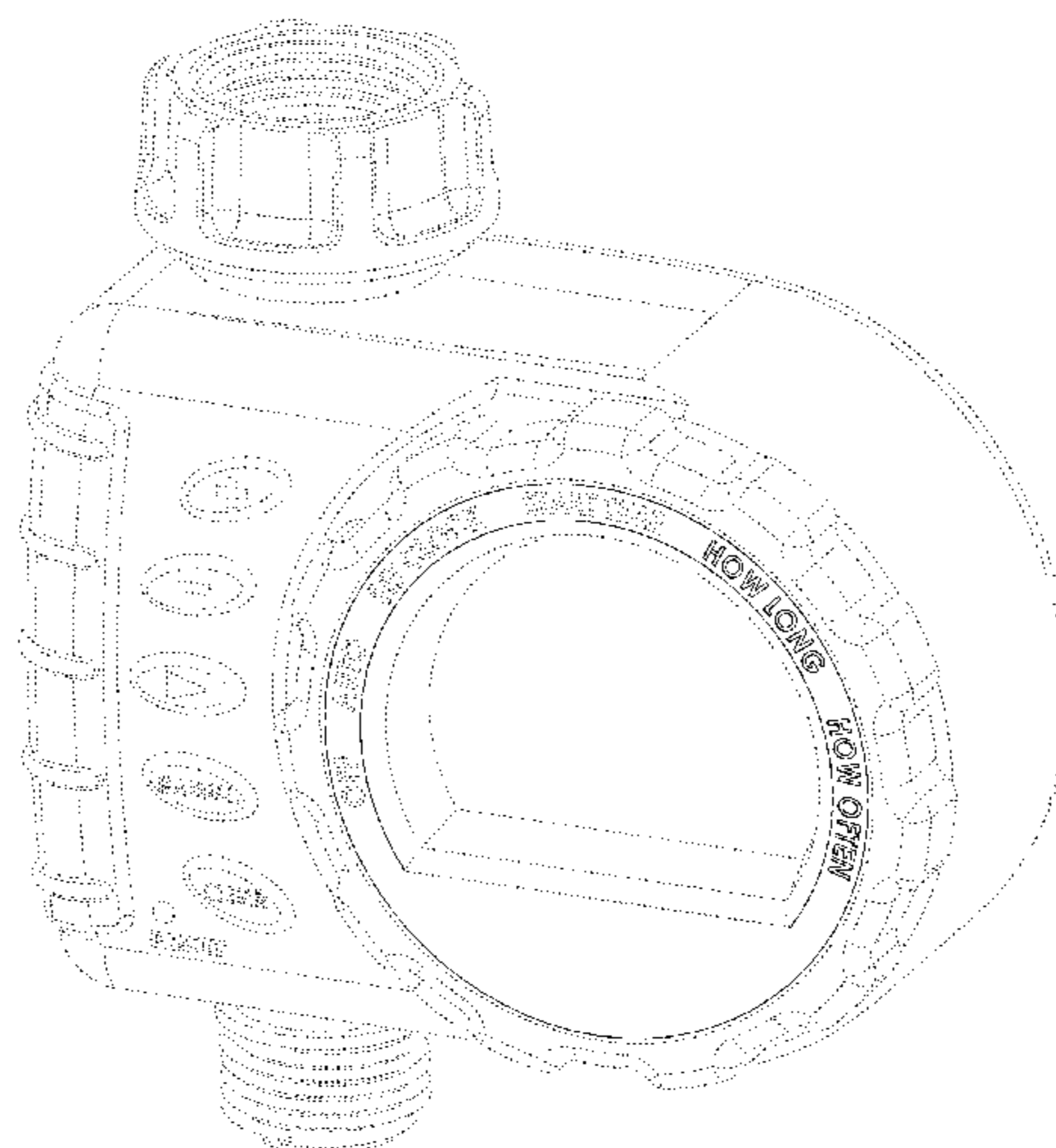
Primary Examiner — Martie K Holtje
(74) *Attorney, Agent, or Firm* — Austin Rapp & Hardman

(57) **CLAIM**
The ornamental design for a timer, as shown and described.

DESCRIPTION

FIG. 1 is an elevated perspective view of a timer according to our new design; and,
FIG. 2 is a front view of the timer shown in FIG. 1.
The portions of the timer depicted in broken lines form no part of the claimed design.
In FIGS. 1 and 2, the planar surface of the timer between the outer claimed circular edge and the inner claimed arcuate edge, with the exception of the claimed text, forms no part of the claimed design.

1 Claim, 2 Drawing Sheets



(56)

References Cited

U.S. PATENT DOCUMENTS

D467,187	S *	12/2002	Clivio	D10/40
D467,821	S	12/2002	Ogawa	
D476,240	S	6/2003	Kuramochi et al.	
D485,502	S	1/2004	Clivio	
D507,243	S	7/2005	Miller	
7,225,057	B2 *	5/2007	Froman	A01G 25/165 239/69
7,252,113	B2	8/2007	Jacobs et al.	
7,404,415	B2	7/2008	Jacobs et al.	
D582,797	S	12/2008	Fraser et al.	
D636,278	S	4/2011	Franchini	
D643,755	S	8/2011	Nies et al.	
D647,411	S	10/2011	Barton et al.	
D657,263	S	4/2012	Nies et al.	
D657,264	S	4/2012	Nies et al.	
8,160,750	B2 *	4/2012	Weiler	A01G 25/16 239/69
D658,519	S *	5/2012	Connolly	D10/122
D659,029	S	5/2012	Connolly et al.	
8,251,300	B2	8/2012	Wilson	
D679,259	S *	4/2013	Franchini	D13/162.1
D679,260	S *	4/2013	Franchini	D13/162.1
D682,714	S	5/2013	Barton et al.	
D713,271	S *	9/2014	Ericksen	D10/40
D736,104	S *	8/2015	Ericksen	D10/40
2006/0011243	A1	1/2006	Jacobs et al.	
2009/0001193	A1 *	1/2009	Parsons	A01G 25/16 239/69
2010/0230510	A1 *	9/2010	Wilson	A01G 25/165 239/70

OTHER PUBLICATIONS

Orbit Irrigation Products, Inc., The product(s) shown in attachment 1 were sold or offered for sale by Orbit Irrigation Products, Inc., on or before November of 2008.

Melnor, Inc., AquaTimers, Web page retrieved on Jun. 17, 2013, apparently published on or before Feb. 10, 2012, web.archive.org/web/20120210191541/http://www.melnor.com/products-aquatimers.php.

Melnor, Inc., AquaTimers, Web page retrieved on Jun. 17, 2013, apparently published on or before Jun. 24, 2012, web.archive.org/web/20120624233645/http://www.melnor.com/products-aquatimers.php.

Robert Bosch Tool Corporation, Nelson, Web page retrieved on Jun. 17, 2013, apparently published on or before Jul. 9, 2012, web.archive.org/web/20120709203520/http://www.lrnelson.com/products/water-conservation2/water-timers/.

Restriction Requirement, U.S. Appl. No. 29/450,680, Mailed on Feb. 2, 2014.

Restriction Requirement Response, U.S. Appl. No. 29/450,680, Dated Apr. 14, 2014.

Restriction Requirement, U.S. Appl. No. 29/500,449, Mailed on Oct. 1, 2014.

Restriction Requirement Response, U.S. Appl. No. 29/500,449, Dated Dec. 1, 2014.

Notice of Allowance and Fees(s) Due (including a Notice of Allowability For A Design Application and an Examiner's Amendment), U.S. Appl. No. 29/500,449, Mailed on Dec. 17, 2014.

Continued Prosecution Application, U.S. Appl. No. 29/500,449, Dated Mar. 17, 2015.

Notice of Allowance and Fees(s) Due (including a Notice of Allowability For A Design Application and an Examiner's Amendment), U.S. Appl. No. 29/500,449, Mailed on Apr. 6, 2015.

Orbit Irrigation Products, Inc., The product(s) shown in attachment 1 were sold or offered for sale by Orbit Irrigation Products, Inc., on or before Nov. 2008.

Robert Bosch Tool Corporation, The product(s) shown in attachment 2 were sold or offered for sale by Robert Bosch Tool Corporation under the brand name Nelson on or before Mar. 19, 2013.

Melnor, Inc., The product(s) shown in attachment 3 were sold or offered for sale by Melnor, Inc., on or before Mar. 19, 2013.

Melnor, Inc., AquaTimers, Web page retrieved on Jun. 17, 2013, apparently published on or before Feb. 10, 2012, web.archive.org/web/20120210191541/http://www.melnor.com/products-aquatimers.php.

Melnor, Inc., AquaTimers, Web page retrieved on Jun. 17, 2013, apparently published on or before Jun. 24, 2012, web.archive.org/web/20120624233645/http://www.melnor.com/products-aquatimers.php.

Robert Bosch Tool Corporation, Nelson, Web page retrieved on Jun. 17, 2013, apparently published on or before Mar. 27, 2012, web.archive.org/web/20120327000229/http://www.lrnelson.com/products/water-conservation2/watertimers/.

Robert Bosch Tool Corporation, Nelson, Web page retrieved on Jun. 17, 2013, apparently published on or before Jul. 9, 2012, web.archive.org/web/20120709203520/http://www.lrnelson.com/products/waterconservation2/water-timers/.

Rain Bird Corporation, the product(s) shown in attachment 8 was sold or offered for sale by Rain Bird Corporation at least by Mar. 19, 2012.

Orbit Irrigation Products, Inc., the product(s) shown in attachment 9 were sold or offered for sale by Orbit Irrigation Products, Inc., at least by Mar. 19, 2012.

Orbit Irrigation Products, Inc., the product shown in attachment 10 was sold or offered for sale by Orbit Irrigation Products, Inc., at least by Mar. 19, 2012.

U.S. Appl. No. 29/546,843, filed Nov. 25, 2015, Orbit Irrigation Products, Inc.

Notice of Allowance and Fee(s) Due (including a Notice of Allowability For A Design Application, a Restriction/Election Requirement section, an Examiner's Amendment section, an Amendment to the Drawing section and an Amendment to the Specification section), U.S. Appl. No. 29/546,843, Mailed on Dec. 30, 2015.

Notice of Allowance and Fee(s) Due (including a Notice of Allowability For A Design Application, a Restriction/Election Requirement section, an Examiner's Amendment section, an Amendment to the Drawing section and an Amendment to the Specification section), U.S. Appl. No. 29/532,141, Mailed on Dec. 31, 2015.

* cited by examiner

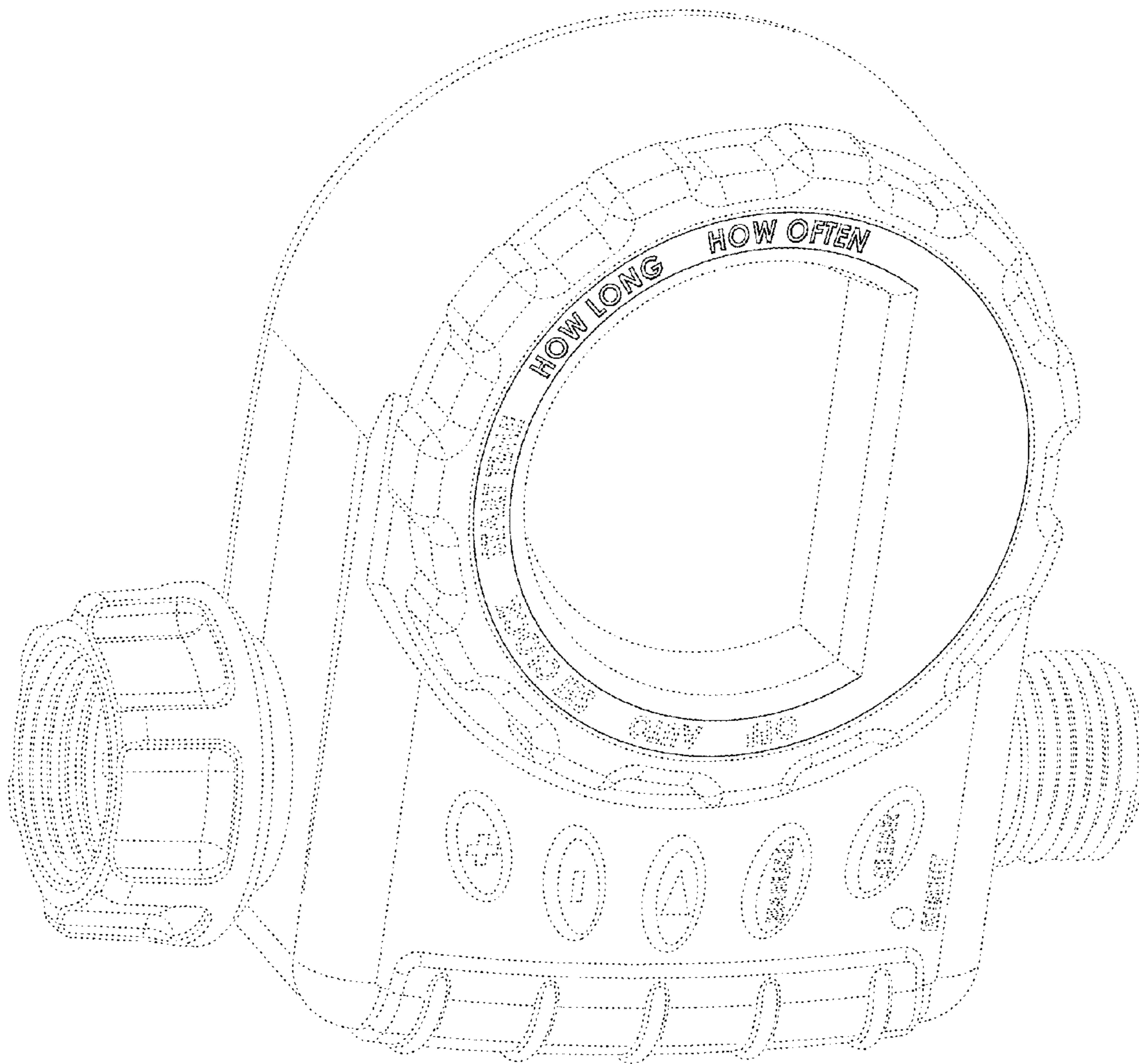


FIG. 1

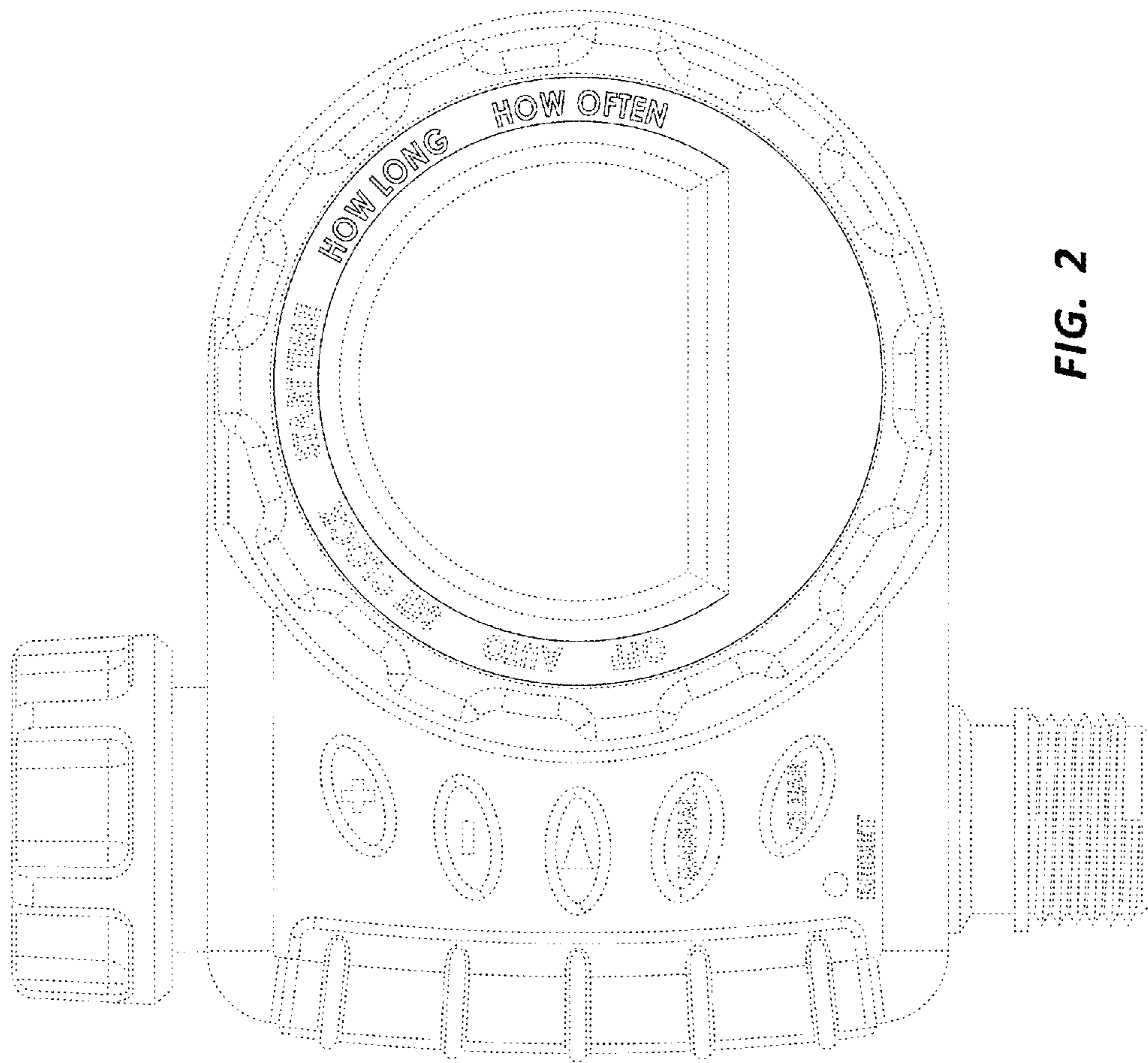


FIG. 2

UNITED STATES PATENT AND TRADEMARK OFFICE
CERTIFICATE OF CORRECTION

PATENT NO. : D750,977 S
APPLICATION NO. : 29/546847
DATED : March 8, 2016
INVENTOR(S) : Ericksen et al.

Page 1 of 4

It is certified that error appears in the above-identified patent and that said Letters Patent is hereby corrected as shown below:

Delete the title page containing an illustrated figure and substitute the attached title page therefor.

In the Drawings

Delete drawing sheets 1-2 and substitute the attached two (2) sheets, which contain two (2) figures, to correct the drawings.

Signed and Sealed this
Seventeenth Day of May, 2016



Michelle K. Lee
Director of the United States Patent and Trademark Office

(12) **United States Design Patent** (10) **Patent No.:** **US D750,977 S**
Ericksen et al. (45) **Date of Patent:** **** Mar. 8, 2016**

(54) **TIMER**

(71) Applicant: **Orbit Irrigation Products, Inc.**, North Salt Lake, UT (US)

(72) Inventors: **Kent C. Ericksen**, Centerville, UT (US); **Karl L. Connolly**, Bountiful, UT (US); **Jeffrey C. Thurgood**, Severance, CO (US)

(73) Assignee: **Orbit Irrigation Products, Inc.**, North Salt Lake, UT (US)

(**) Term: **15 Years**

(21) Appl. No.: **29/546,847**

(22) Filed: **Nov. 25, 2015**

(56) **References Cited**

U.S. PATENT DOCUMENTS

D53,726 S	8/1919	Berge	
1,865,965 A	7/1932	Ruiz	
D191,294 S	9/1961	Charnota et al.	
4,562,865 A	1/1986	Lemkin et al.	
D282,446 S	2/1986	Gremontprez et al.	
D295,778 S	5/1988	Bruninga et al.	
4,807,664 A	2/1989	Wilson et al.	
D309,175 S	7/1990	Hastings et al.	
4,951,204 A *	8/1990	Mylne, III	A01G 25/16 239/69
5,135,168 A *	8/1992	Wang	A01G 25/162 137/624.18
5,262,936 A *	11/1993	Faris	A01G 25/16 239/70
D365,771 S	1/1996	Clivio	
D386,985 S	12/1997	Cameron	
D427,085 S	6/2000	Steinhagen	
D450,604 S	11/2001	Stekelenburg	
D452,695 S	1/2002	Miller	

(Continued)

Related U.S. Application Data

(60) Continuation of application No. 29/532,141, filed on Jul. 1, 2015, which is a continuation of application No. 29/500,449, filed on Aug. 25, 2014, now Pat. No. Des. 736,104, which is a division of application No. 29/450,680, filed on Mar. 20, 2013, now Pat. No. Des. 713,271.

(51) **LOC (10) Cl.** 10-03

(52) **U.S. Cl.**
USPC D10/40

(58) **Field of Classification Search**
USPC D10/40, 122; D13/162.1; D23/245, 246
CPC A01G 25/00; A01G 25/16; A01G 25/162; A01G 25/165; B05B 12/00; B05B 12/02; F16K 31/48; G05D 7/00; G05D 7/06; G05D 7/0635; G04F 3/00; G04F 3/02

See application file for complete search history.

OTHER PUBLICATIONS

U.S. Appl. No. 29/532,141, filed Jul. 1, 2015, Kent C. Ericksen et al.
 (Continued)

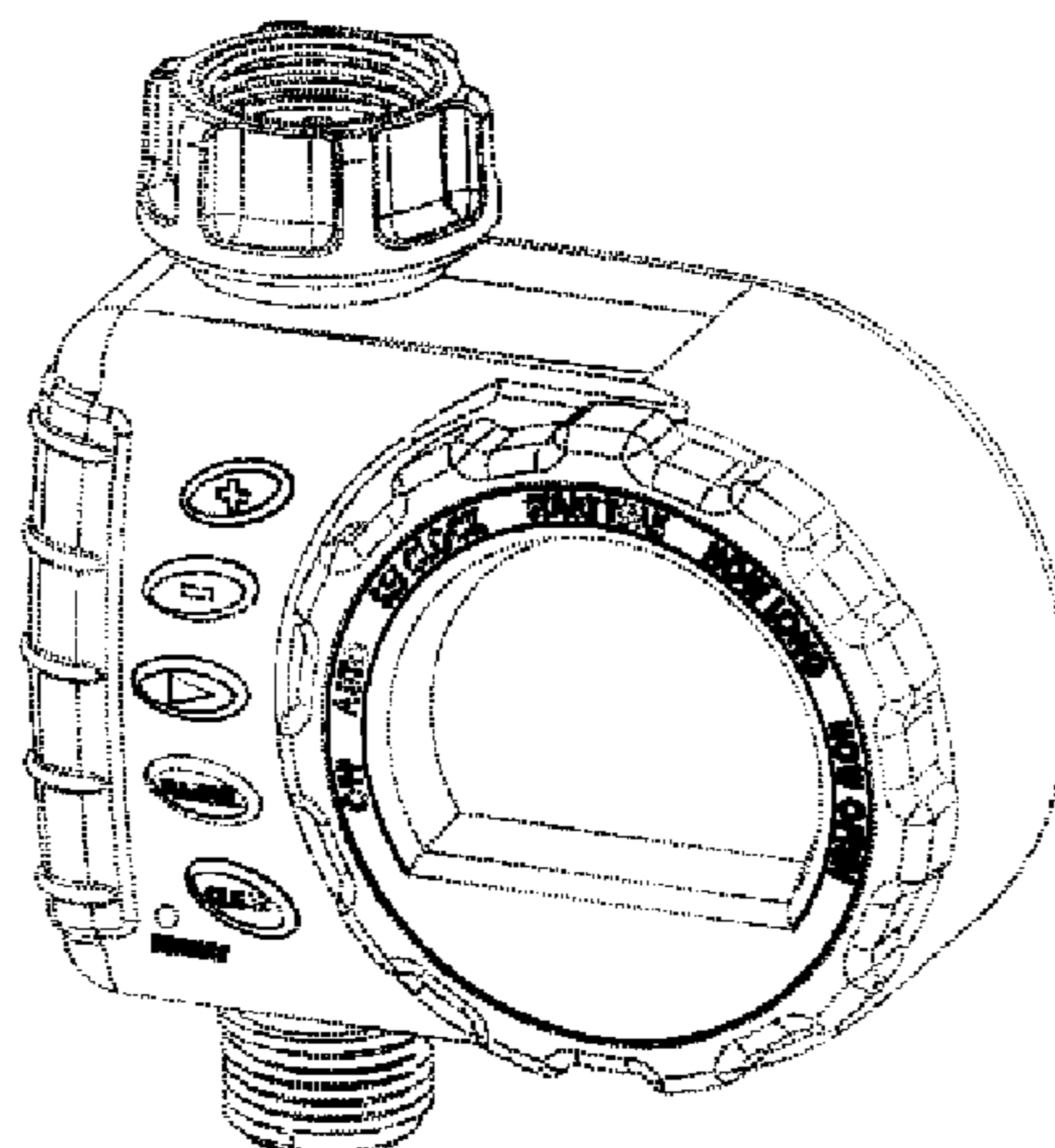
Primary Examiner — Martie K Holtje
 (74) *Attorney, Agent, or Firm* — Austin Rapp & Hardman

(57) **CLAIM**
 The ornamental design for a timer, as shown and described.

DESCRIPTION

FIG. 1 is an elevated perspective view of a timer according to our new design; and, FIG. 2 is a front view of the timer shown in FIG. 1. The portions of the timer depicted in broken lines form no part of the claimed design. In FIGS. 1 and 2, the planar surface of the timer between the outer claimed circular edge and the inner claimed arcuate edge, with the exception of the claimed text, forms no part of the claimed design.

1 Claim, 2 Drawing Sheets



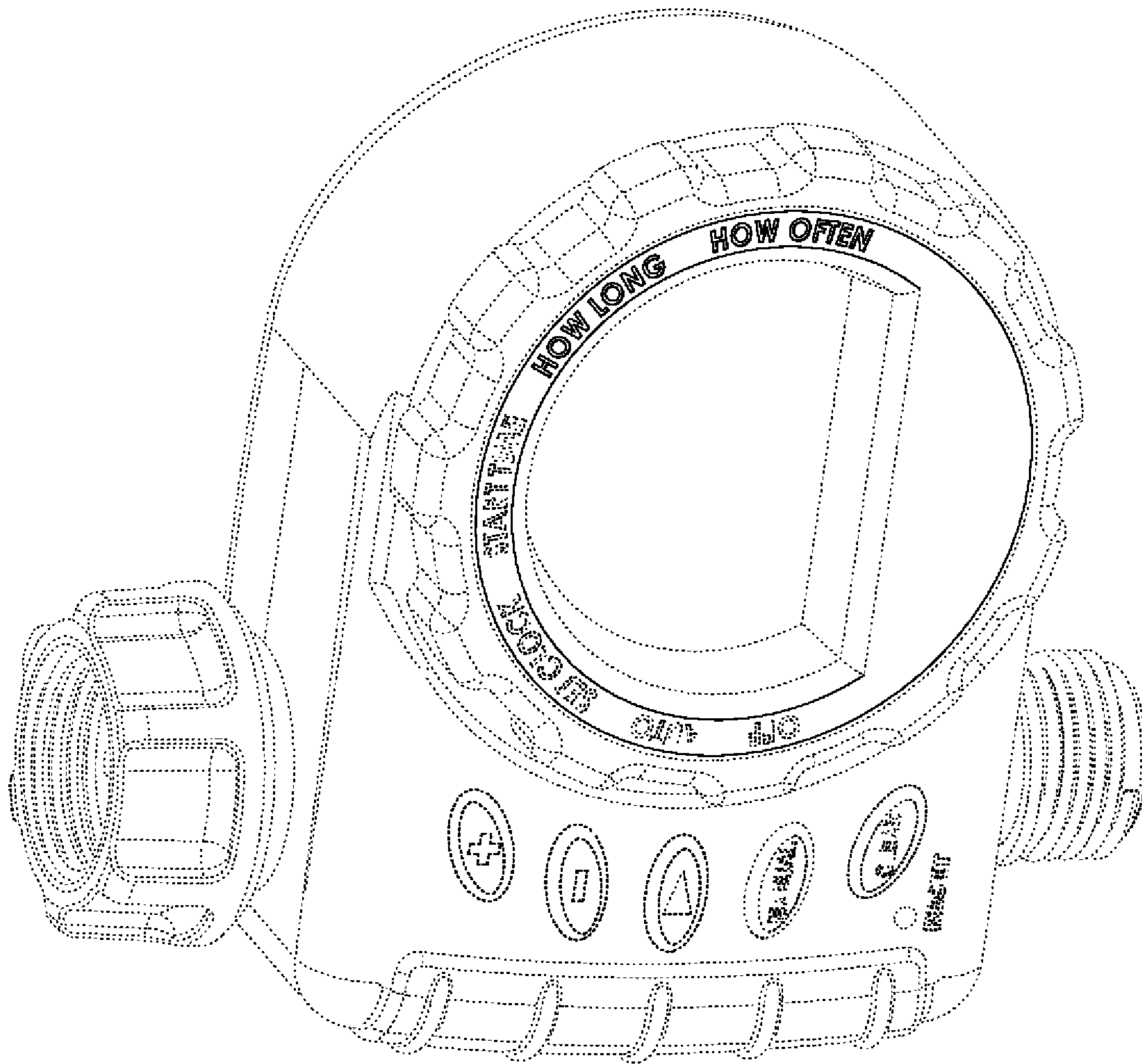


FIG. 1

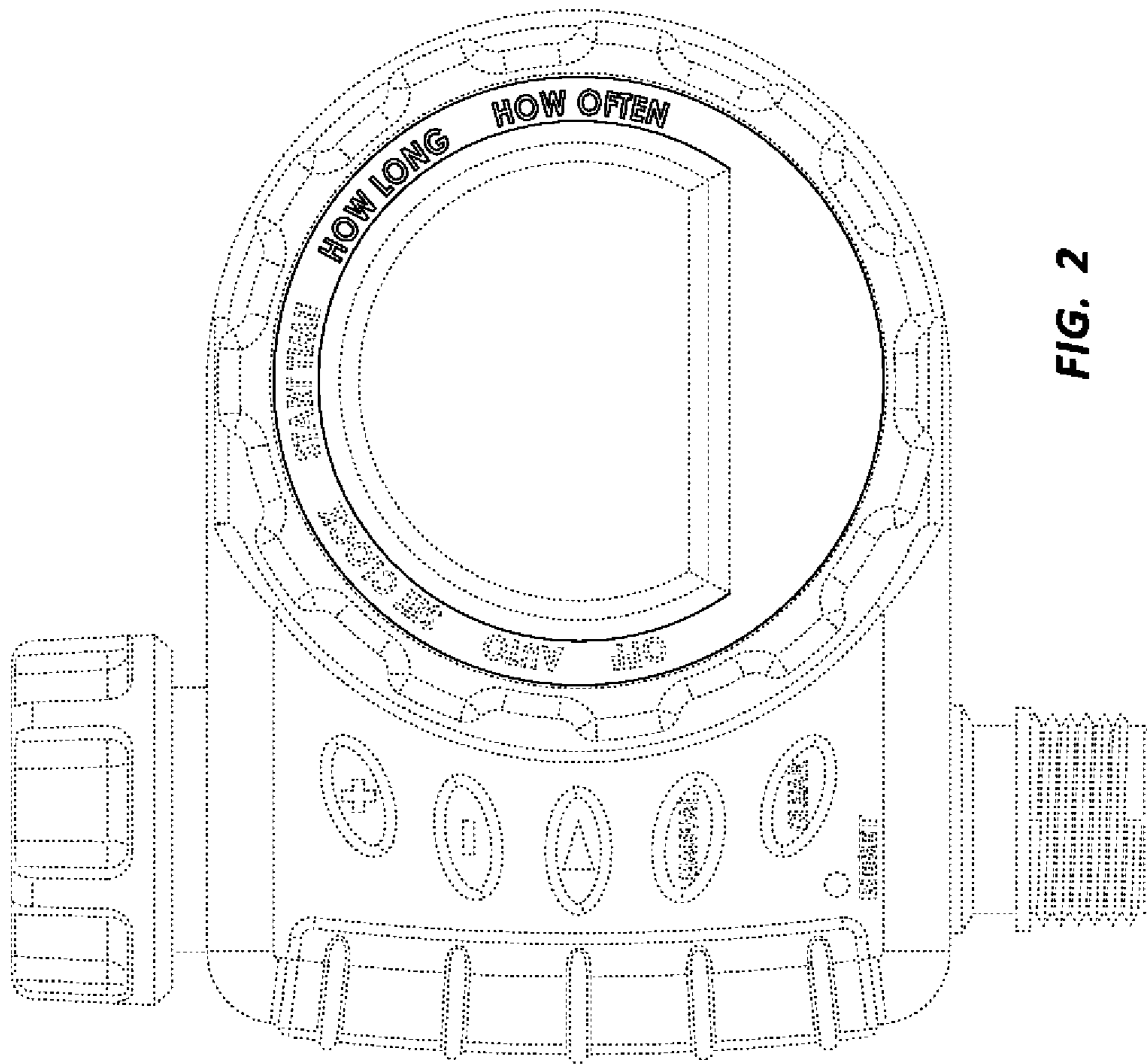


FIG. 2

UNITED STATES PATENT AND TRADEMARK OFFICE
CERTIFICATE OF CORRECTION

PATENT NO. : D750,977 S
APPLICATION NO. : 29/546847
DATED : March 8, 2016
INVENTOR(S) : Ericksen et al.

Page 1 of 4

It is certified that error appears in the above-identified patent and that said Letters Patent is hereby corrected as shown below:

Delete the title page containing an illustrated figure and substitute the attached title page therefor.

In the Drawings

Delete drawing sheets 1-2 and substitute the attached two (2) sheets, which contain two (2) figures, to correct the drawings.

This certificate supersedes the Certificate of Correction issued May 17, 2016.

Signed and Sealed this
Twenty-third Day of August, 2016



Michelle K. Lee
Director of the United States Patent and Trademark Office

(12) **United States Design Patent** (10) **Patent No.:** **US D750,977 S**
Ericksen et al. (45) **Date of Patent:** **** Mar. 8, 2016**

(54) **TIMER**

- (71) Applicant: **Orbit Irrigation Products, Inc.**, North Salt Lake, UT (US)
- (72) Inventors: **Kent C. Ericksen**, Centerville, UT (US); **Karl L. Connolly**, Bountiful, UT (US); **Jeffrey C. Thurgood**, Severance, CO (US)
- (73) Assignee: **Orbit Irrigation Products, Inc.**, North Salt Lake, UT (US)
- (**) Term: **15 Years**
- (21) Appl. No.: **29/546,847**
- (22) Filed: **Nov. 25, 2015**

Related U.S. Application Data

- (60) Continuation of application No. 29/532,141, filed on Jul. 1, 2015, which is a continuation of application No. 29/500,449, filed on Aug. 25, 2014, now Pat. No. Des. 736,104, which is a division of application No. 29/450,680, filed on Mar. 20, 2013, now Pat. No. Des. 713,271.
 - (51) **LOC (10) Cl.** **10-03**
 - (52) **U.S. Cl.**
USPC **D10/40**
 - (58) **Field of Classification Search**
USPC D10/40, 122; D13/162.1; D23/245, 246
CPC A01G 25/00; A01G 25/16; A01G 25/162; A01G 25/165; B05B 12/00; B05B 12/02; F16K 31/48; G05D 7/00; G05D 7/06; G05D 7/0635; G04F 3/00; G04F 3/02
- See application file for complete search history.

(56) **References Cited**

U.S. PATENT DOCUMENTS

D53,726 S	8/1919	Berge	
1,865,965 A	7/1932	Ruiz	
D191,294 S	9/1961	Charnota et al.	
4,562,865 A	1/1986	Lemkin et al.	
D282,446 S	2/1986	Gremontprez et al.	
D295,778 S	5/1988	Bruninga et al.	
4,807,664 A	2/1989	Wilson et al.	
D309,175 S	7/1990	Hastings et al.	
4,951,204 A *	8/1990	Mylne, III	A01G 25/16 239/69
5,135,168 A *	8/1992	Wang	A01G 25/162 137/624.18
5,262,936 A *	11/1993	Faris	A01G 25/16 239/70
D365,771 S	1/1996	Clivio	
D386,985 S	12/1997	Cameron	
D427,085 S	6/2000	Steinhagen	
D450,604 S	11/2001	Stekelenburg	
D452,695 S	1/2002	Miller	

(Continued)

OTHER PUBLICATIONS

U.S. Appl. No. 29/532,141, filed Jul. 1, 2015, Kent C. Ericksen et al.
 (Continued)

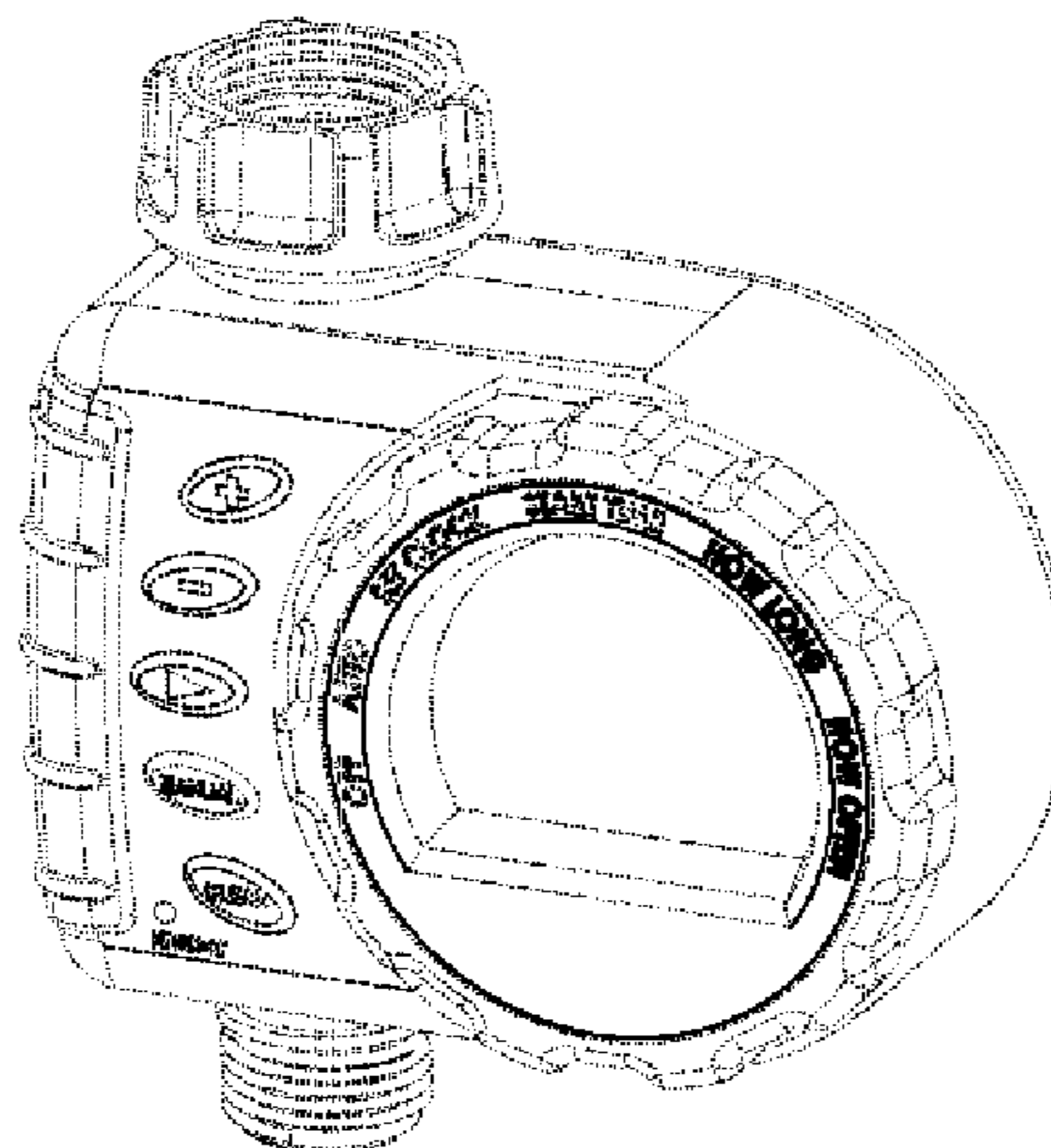
Primary Examiner Martie K Holtje
 (74) *Attorney, Agent, or Firm* Austin Rapp & Hardman

(57) **CLAIM**
 The ornamental design for a timer, as shown and described.

DESCRIPTION

FIG. 1 is an elevated perspective view of a timer according to our new design; and, FIG. 2 is a front view of the timer shown in FIG. 1. The portions of the timer depicted in broken lines form no part of the claimed design. In FIGS. 1 and 2, the planar surface of the timer between the outer claimed circular edge and the inner claimed arcuate edge, with the exception of the claimed text, forms no part of the claimed design.

1 Claim, 2 Drawing Sheets



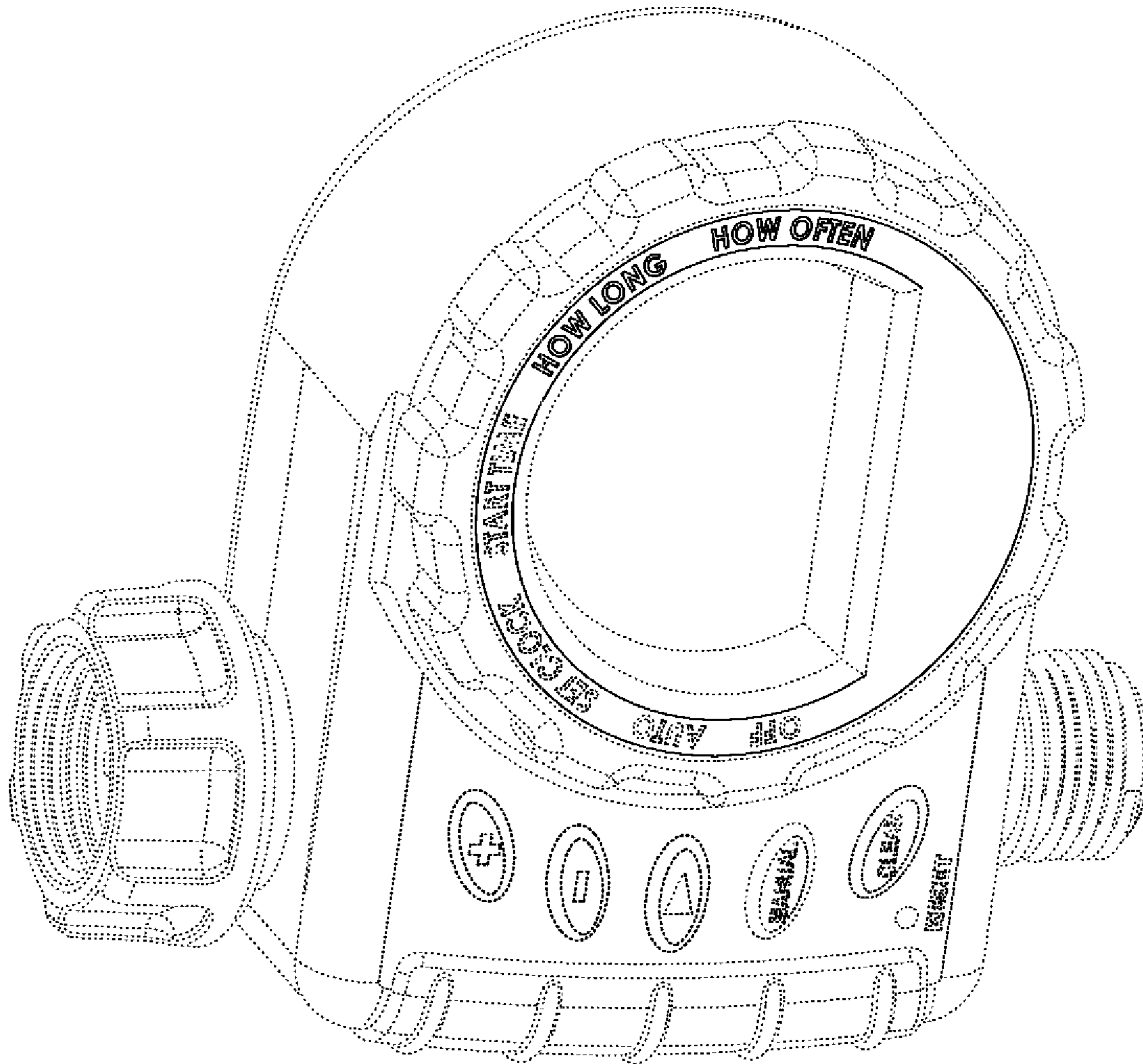


FIG. 1

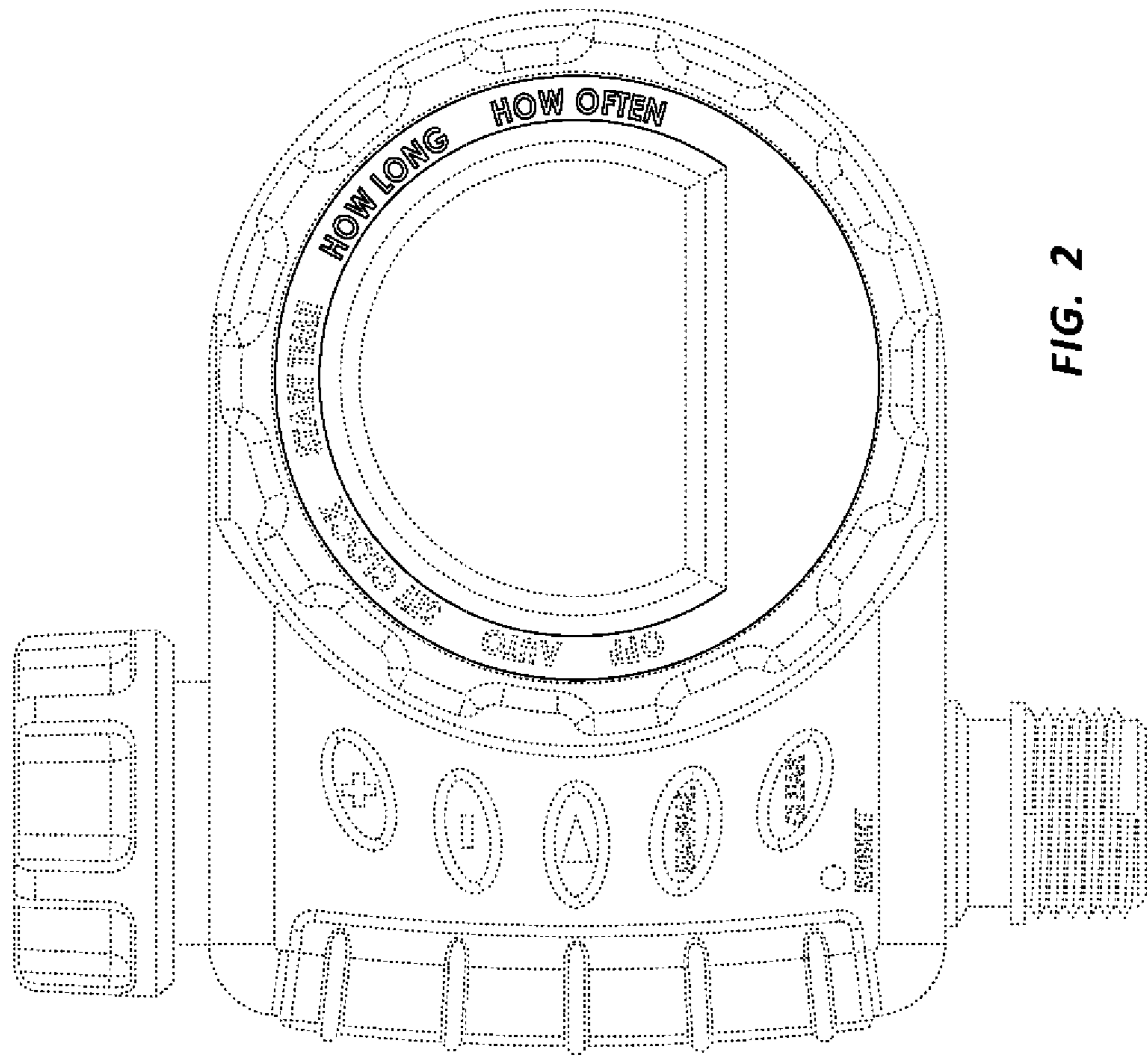


FIG. 2

UNITED STATES PATENT AND TRADEMARK OFFICE
CERTIFICATE OF CORRECTION

PATENT NO. : D750,977 S
APPLICATION NO. : 29/546847
DATED : March 8, 2016
INVENTOR(S) : Ericksen et al.

Page 1 of 5

It is certified that error appears in the above-identified patent and that said Letters Patent is hereby corrected as shown below:

Delete the title page and page 2 containing an illustrated figure and substitute the attached title page therefor.

In the Drawings

Delete drawing sheets 1-2 and substitute the attached two (2) sheets, which contain two (2) figures, to correct the drawings.

This certificate supersedes the Certificate of Correction issued May 17, 2016.

Signed and Sealed this
Thirtieth Day of August, 2016



Michelle K. Lee
Director of the United States Patent and Trademark Office

(12) **United States Design Patent** (10) **Patent No.:** **US D750,977 S**
Ericksen et al. (45) **Date of Patent:** **** Mar. 8, 2016**

(54) **TIMER**

(71) Applicant: **Orbit Irrigation Products, Inc.**, North Salt Lake, UT (US)

(72) Inventors: **Kent C. Ericksen**, Centerville, UT (US); **Karl L. Connolly**, Bountiful, UT (US); **Jeffrey C. Thurgood**, Severance, CO (US)

(73) Assignee: **Orbit Irrigation Products, Inc.**, North Salt Lake, UT (US)

(**) Term: **15 Years**

(21) Appl. No.: **29/546,847**

(22) Filed: **Nov. 25, 2015**

(56) **References Cited**

U.S. PATENT DOCUMENTS

D53,726 S	8/1919	Berge	
1,865,965 A	7/1932	Ruiz	
D191,294 S	9/1961	Charnota et al.	
4,562,865 A	1/1986	Lenkin et al.	
D282,446 S	2/1986	Gremonprez et al.	
D295,778 S	5/1988	Bruninga et al.	
4,807,664 A	2/1989	Wilson et al.	
D309,175 S	7/1990	Hastings et al.	
4,951,204 A *	8/1990	Mylne, III	A01G 25/16 239/69
5,135,168 A *	8/1992	Wang	A01G 25/162 137/624.18
5,262,936 A *	11/1993	Faris	A01G 25/16 239/70
D365,771 S	1/1996	Clivio	
D386,985 S	12/1997	Cameron	
D427,085 S	6/2000	Steinhagen	
D450,604 S	11/2001	Stekelenburg	
D452,695 S	1/2002	Miller	

(Continued)

Related U.S. Application Data

(60) Continuation of application No. 29/532,141, filed on Jul. 1, 2015, which is a continuation of application No. 29/500,449, filed on Aug. 25, 2014, now Pat. No. Des. 736,104, which is a division of application No. 29/450,680, filed on Mar. 20, 2013, now Pat. No. Des. 713,271.

(51) LOC (10) CL **10-03**

(52) U.S. CL
USPC **D10/40**

(58) **Field of Classification Search**
 USPC D10/40, 122; D13/162.1; D23/245, 246
 CPC A01G 25/00; A01G 25/16; A01G 25/162;
 A01G 25/165; B05B 12/00; B05B 12/02;
 F16K 31/48; G05D 7/00; G05D 7/06; G05D
 7/0635; G04F 3/00; G04F 3/02

See application file for complete search history.

OTHER PUBLICATIONS

U.S. Appl. No. 29/532,141, filed Jul. 1, 2015, Kent C. Ericksen et al.
 (Continued)

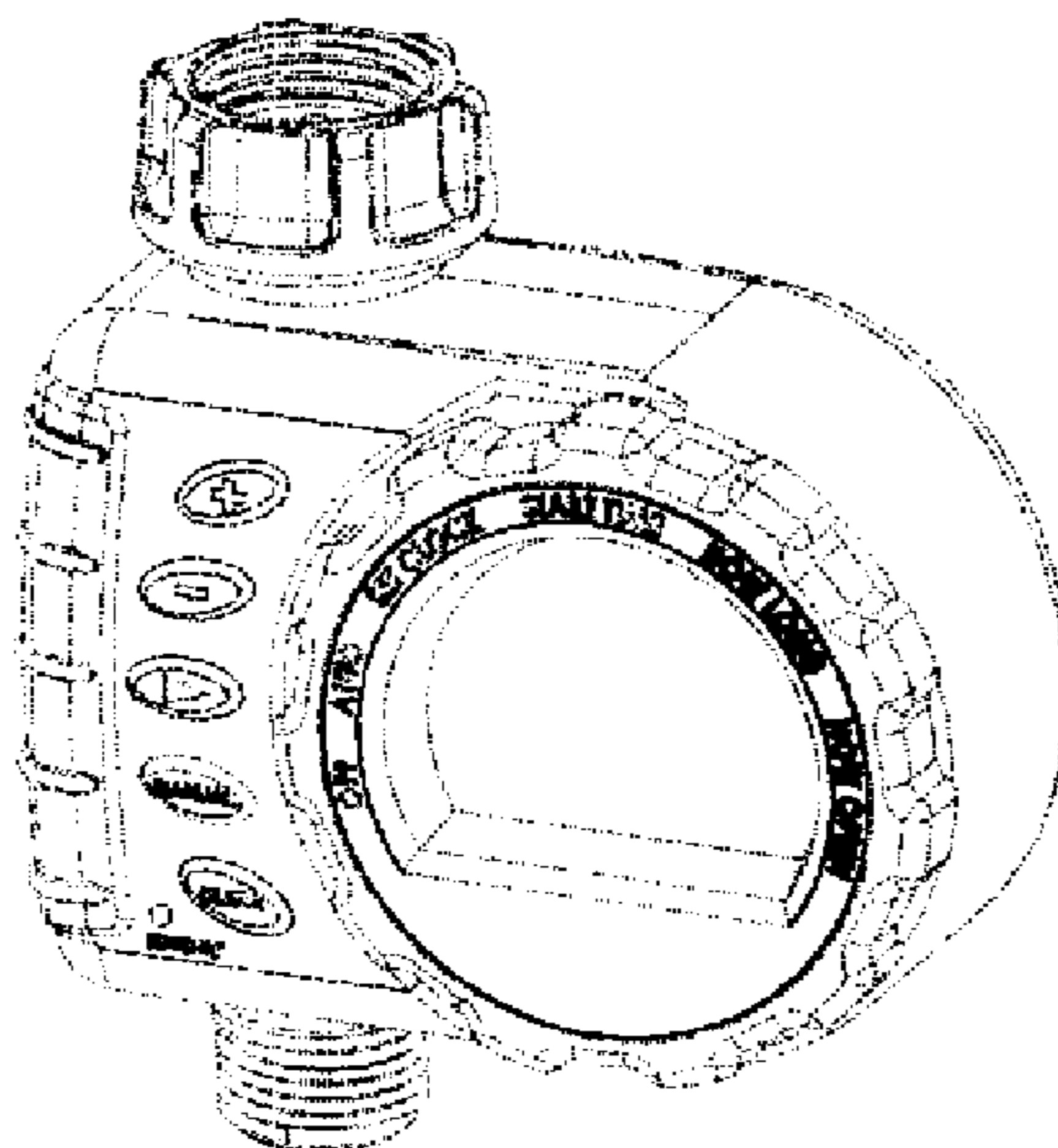
Primary Examiner -- Martie K Holtje
 (74) *Attorney, Agent, or Firm* -- Austin Rapp & Hardman

(57) **CLAIM**
 The ornamental design for a timer, as shown and described.

DESCRIPTION

FIG. 1 is an elevated perspective view of a timer according to our new design; and,
 FIG. 2 is a front view of the timer shown in FIG. 1.
 The portions of the timer depicted in broken lines form no part of the claimed design.
 In FIGS. 1 and 2, the planar surface of the timer between the outer claimed circular edge and the inner claimed arcuate edge, with the exception of the claimed text, forms no part of the claimed design.

1 Claim, 2 Drawing Sheets



US D750,977 S

Page 2

(56)

References Cited

U.S. PATENT DOCUMENTS

D467,187	S *	12/2002	Clivio	D10:40
D467,821	S	12/2002	Ogawa	
D476,240	S	6/2003	Kuramochi et al.	
D485,502	S	1/2004	Clivio	
D507,243	S	7/2005	Miller	
7,225,057	B2 *	5/2007	Froman	A01G 25/165 239/69
7,252,113	B2	8/2007	Jacobs et al.	
7,404,415	B2	7/2008	Jacobs et al.	
D582,797	S	12/2008	Fraser et al.	
D636,278	S	4/2011	Franchini	
D643,755	S	8/2011	Nies et al.	
D647,411	S	10/2011	Barton et al.	
D657,263	S	4/2012	Nies et al.	
D657,264	S	4/2012	Nies et al.	
8,160,750	B2 *	4/2012	Weiler	A01G 25/16 239/69
D658,519	S *	5/2012	Connolly	D10/122
D659,029	S	5/2012	Connolly et al.	
8,251,300	B2	8/2012	Wilson	
D679,259	S *	4/2013	Franchini	D13/162.1
D679,260	S *	4/2013	Franchini	D13/162.1
D682,714	S	5/2013	Barton et al.	
D713,271	S *	9/2014	Eriksen	D10/40
D736,104	S *	8/2015	Eriksen	D10/40
2006/0011243	A1	1/2006	Jacobs et al.	
2009/0001193	A1 *	1/2009	Parsons	A01G 25/16 239/69
2010/0230510	A1 *	9/2010	Wilson	A01G 25/165 239/70

OTHER PUBLICATIONS

Orbit Irrigation Products, Inc., The product(s) shown in attachment 1 were sold or offered for sale by Orbit Irrigation Products, Inc., on or before November of 2008.

Melnor, Inc., AquaTimers, Web page retrieved on Jun. 17, 2013, apparently published on or before Feb. 10, 2012, web.archive.org/web/20120210191541/http://www.melnor.com/products-aquatimers.php.

Melnor, Inc., AquaTimers, Web page retrieved on Jun. 17, 2013, apparently published on or before Jun. 24, 2012, web.archive.org/web/20120624233645/http://www.melnor.com/products-aquatimers.php.

Robert Bosch Tool Corporation, Nelson, Web page retrieved on Jun. 17, 2013, apparently published on or before Jul. 9, 2012, web.archive.org/web/20120709203520/http://www.lnelson.com/products/water-conservation2/water-timers/.

Restriction Requirement, U.S. Appl. No. 29/450,680, Mailed on Feb. 2, 2014.

Restriction Requirement Response, U.S. Appl. No. 29/450,680, Dated Apr. 14, 2014.

Restriction Requirement, U.S. Appl. No. 29/500,449, Mailed on Oct. 1, 2014.

Restriction Requirement Response, U.S. Appl. No. 29/500,449, Dated Dec. 1, 2014.

Notice of Allowance and Fees(s) Due (including a Notice of Allowability For A Design Application and an Examiner's Amendment), U.S. Appl. No. 29/500,449, Mailed on Dec. 17, 2014.

Continued Prosecution Application, U.S. Appl. No. 29/500,449, Dated Mar. 17, 2015.

Notice of Allowance and Fees(s) Due (including a Notice of Allowability For A Design Application and an Examiner's Amendment), U.S. Appl. No. 29/500,449, Mailed on Apr. 6, 2015.

Orbit Irrigation Products, Inc., The product(s) shown in attachment 1 were sold or offered for sale by Orbit Irrigation Products, Inc., on or before Nov. 2008.

Robert Bosch Tool Corporation, The product(s) shown in attachment 2 were sold or offered for sale by Robert Bosch Tool Corporation under the brand name Nelson on or before Mar. 19, 2013.

Melnor, Inc., The product(s) shown in attachment 3 were sold or offered for sale by Melnor, Inc., on or before Mar. 19, 2013.

Melnor, Inc., AquaTimers, Web page retrieved on Jun. 17, 2013, apparently published on or before Feb. 10, 2012, web.archive.org/web/20120210191541/http://www.melnor.com/products-aquatimers.php.

Melnor, Inc., AquaTimers, Web page retrieved on Jun. 17, 2013, apparently published on or before Jun. 24, 2012, web.archive.org/web/20120624233645/http://www.melnor.com/products-aquatimers.php.

Robert Bosch Tool Corporation, Nelson, Web page retrieved on Jun. 17, 2013, apparently published on or before Mar. 27, 2012, web.archive.org/web/20120327000229/http://www.lnelson.com/products/water-conservation2/watertimers/.

Robert Bosch Tool Corporation, Nelson, Web page retrieved on Jun. 17, 2013, apparently published on or before Jul. 9, 2012, web.archive.org/web/20120709203520/http://www.lnelson.com/products/waterconservation2/water-timers/.

Rain Bird Corporation, the product(s) shown in attachment 8 was sold or offered for sale by Rain Bird Corporation at least by Mar. 19, 2012.

Orbit Irrigation Products, Inc., the product(s) shown in attachment 9 were sold or offered for sale by Orbit Irrigation Products, Inc., at least by Mar. 19, 2012.

Orbit Irrigation Products, Inc., the product shown in attachment 10 was sold or offered for sale by Orbit Irrigation Products, Inc., at least by Mar. 19, 2012.

U.S. Appl. No. 29/546,843, filed Nov. 25, 2015, Orbit Irrigation Products, Inc.

Notice of Allowance and Fee(s) Due (including a Notice of Allowability For A Design Application, a Restriction/Election Requirement section, an Examiner's Amendment section, an Amendment to the Drawing section and an Amendment to the Specification section), U.S. Appl. No. 29/546,843, Mailed on Dec. 30, 2015.

Notice of Allowance and Fee(s) Due (including a Notice of Allowability For A Design Application, a Restriction/Election Requirement section, an Examiner's Amendment section, an Amendment to the Drawing section and an Amendment to the Specification section), U.S. Appl. No. 29/532,141, Mailed on Dec. 31, 2015.

* cited by examiner

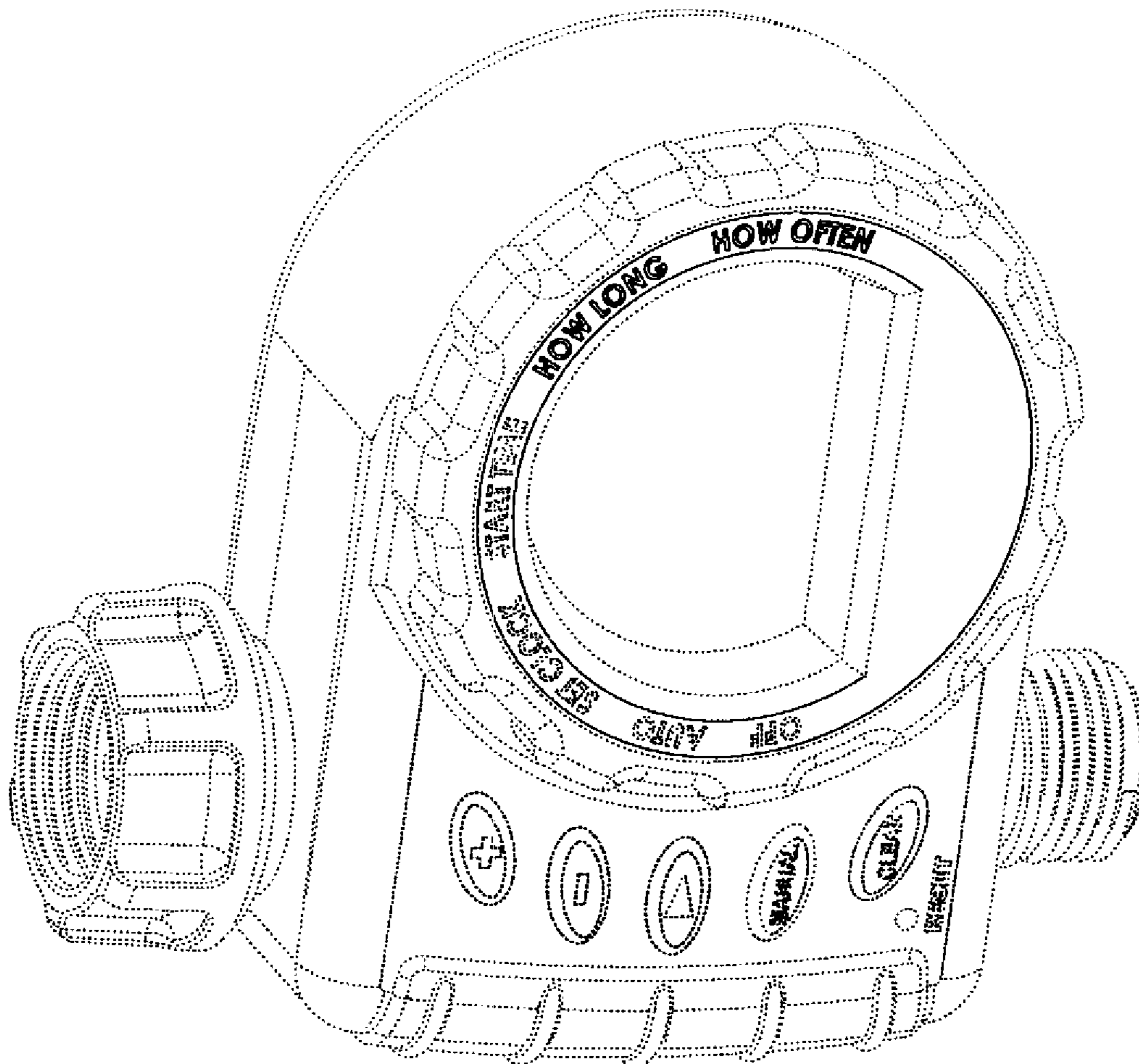


FIG. 1

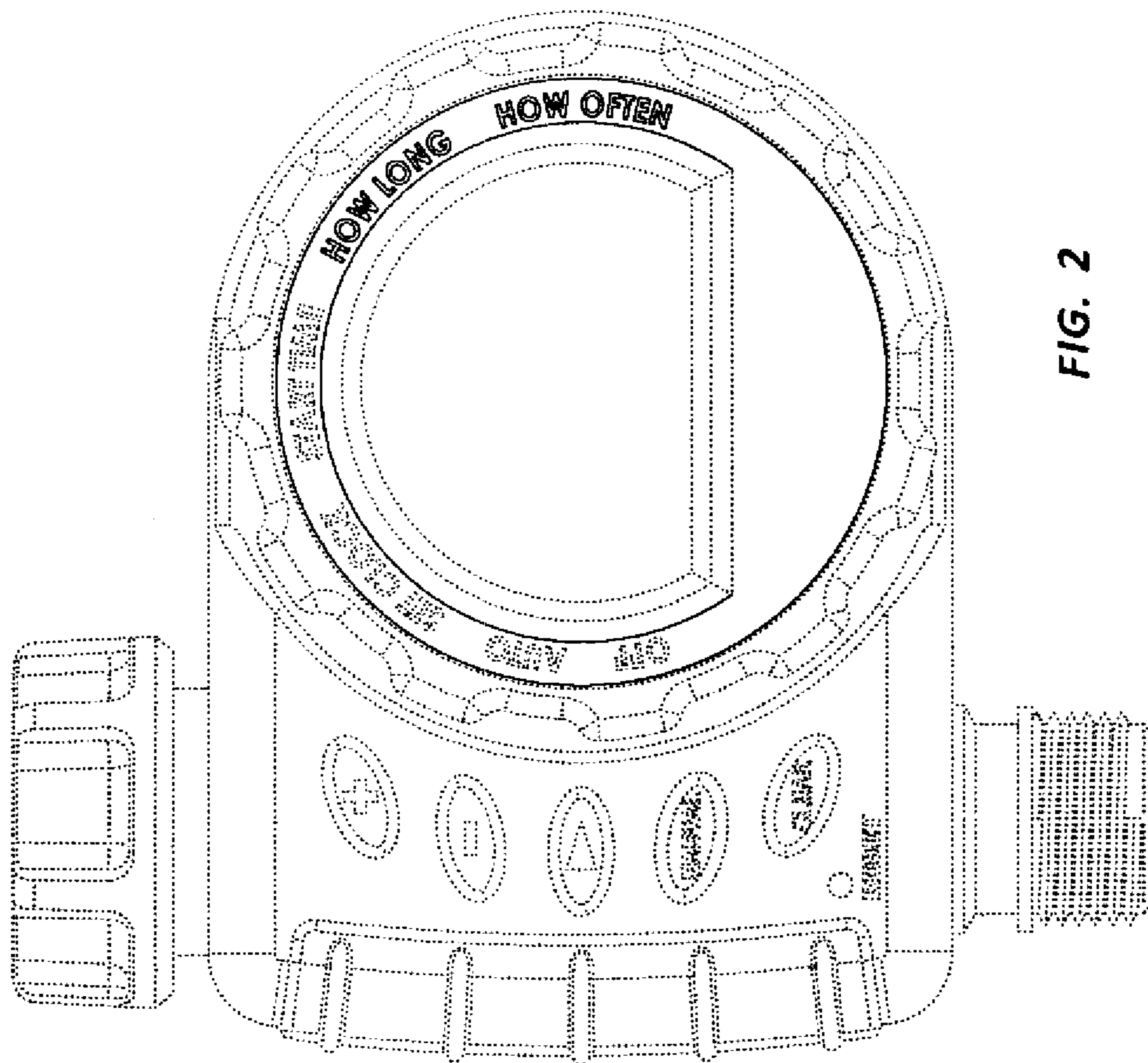


FIG. 2

UNITED STATES PATENT AND TRADEMARK OFFICE
CERTIFICATE OF CORRECTION

PATENT NO. : D750,977 S
APPLICATION NO. : 29/546847
DATED : March 8, 2016
INVENTOR(S) : Ericksen et al.

Page 1 of 5

It is certified that error appears in the above-identified patent and that said Letters Patent is hereby corrected as shown below:

On the Title Page

Delete the title page and page 2 containing an illustrated figure and substitute the attached title page therefor.

In the Drawings

Delete drawing sheets 1-2 and substitute the attached two (2) sheets, which contain two (2) figures, to correct the drawings.

This certificate supersedes the Certificates of Correction issued May 17, 2016, August 23, 2016 and August 30, 2016.

Signed and Sealed this
Tenth Day of January, 2017



Michelle K. Lee
Director of the United States Patent and Trademark Office

(12) **United States Design Patent**
Ericksen et al.

(10) **Patent No.:** **US D750,977 S**
(45) **Date of Patent:** **** Mar. 8, 2016**

(54) **TIMER**

(56)

References Cited

- (71) Applicant: **Orbit Irrigation Products, Inc.**, North Salt Lake, UT (US)
- (72) Inventors: **Kent C. Ericksen**, Centerville, UT (US);
Karl L. Connolly, Bountiful, UT (US);
Jeffrey C. Thurgood, Severance, CO (US)
- (73) Assignee: **Orbit Irrigation Products, Inc.**, North Salt Lake, UT (US)
- (**) Term: **15 Years**
- (21) Appl. No.: **29/546,847**
- (22) Filed: **Nov. 25, 2015**

U.S. PATENT DOCUMENTS

D53,726 S	8 1919	Berge	
1,865,965 A	7 1932	Ruiz	
D191,294 S	9 1961	Charnota et al.	
4,562,865 A	1 1986	Lemkin et al.	
D282,446 S	2 1986	Gremontprez et al.	
D295,778 S	5 1988	Bruninga et al.	
4,807,664 A	2 1989	Wilson et al.	
D309,175 S	7 1990	Hastings et al.	
4,951,204 A *	8 1990	Mylne, III	A01G 25/16 239/69
5,135,168 A *	8 1992	Wang	A01G 25/162 137/624.18
5,262,936 A *	11 1993	Faris	A01G 25/16 239/70
D365,771 S	1 1996	Clivio	
D386,985 S	12 1997	Cameron	
D427,085 S	6 2000	Steinhagen	
D450,604 S	11 2001	Stekelenburg	
D452,695 S	1 2002	Miller	

(Continued)

Related U.S. Application Data

- (60) Continuation of application No. 29/532,141, filed on Jul. 1, 2015, which is a continuation of application No. 29/500,449, filed on Aug. 25, 2014, now Pat. No. Des. 736,104, which is a division of application No. 29/450,680, filed on Mar. 20, 2013, now Pat. No. Des. 713,271.
- (51) **LOC (10) Cl.** **10-03**
- (52) **U.S. Cl.**
USPC **D10/40**
- (58) **Field of Classification Search**
USPC D10/40, 122; D13/162.1; D23/245, 246
CPC A01G 25/00; A01G 25/16; A01G 25/162;
A01G 25/165; B05B 12/00; B05B 12/02;
F16K 31/48; G05D 7/00; G05D 7/06; G05D
7/0635; G04F 3/00; G04F 3/02
- See application file for complete search history.

OTHER PUBLICATIONS

U.S. Appl. No. 29/532,141, filed Jul. 1, 2015, Kent C. Ericksen et al.
(Continued)

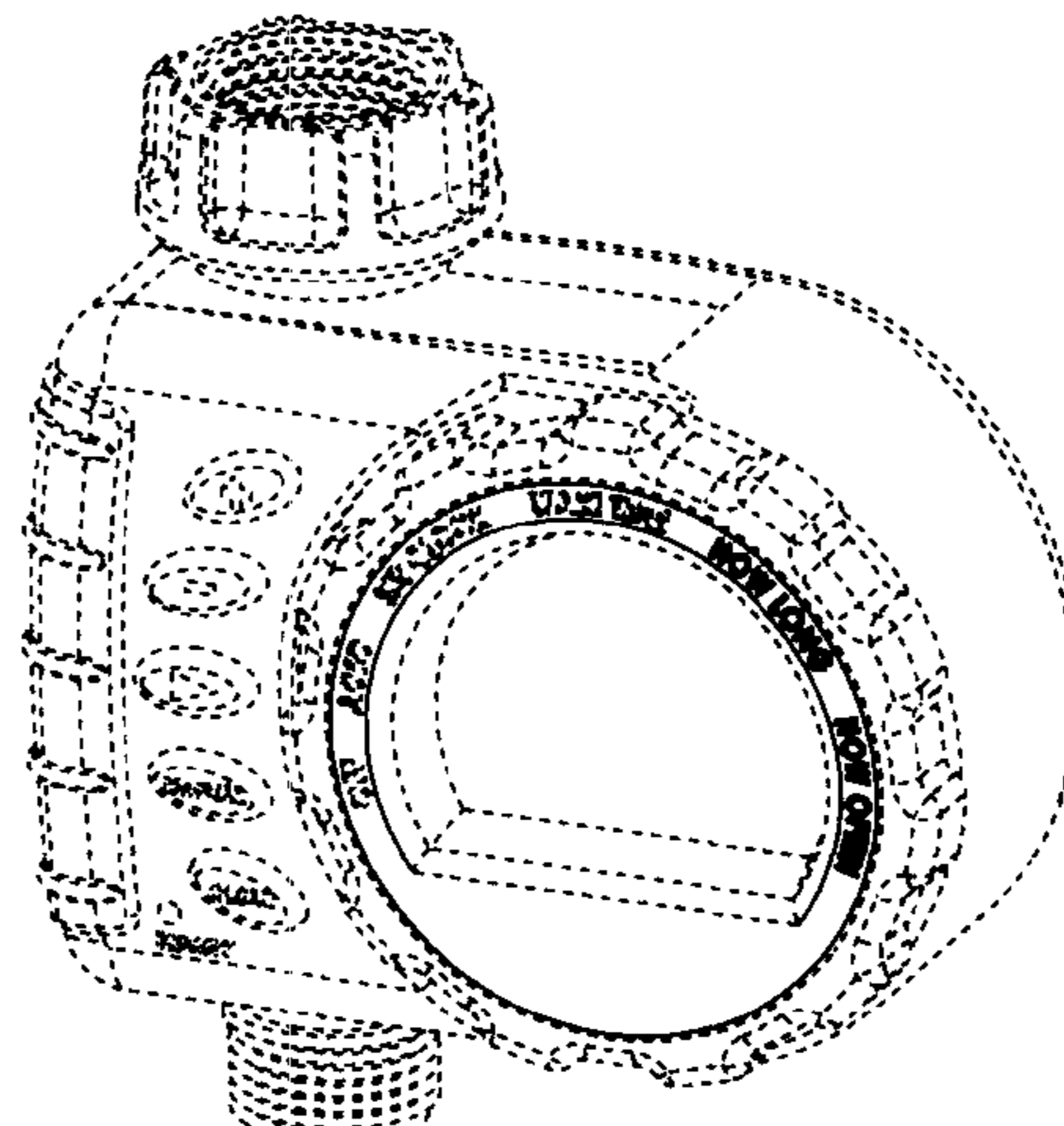
Primary Examiner --- Martie K Holtje
(74) *Attorney, Agent, or Firm* --- Austin Rapp & Hardman

(57) **CLAIM**
The ornamental design for a timer, as shown and described.

DESCRIPTION

FIG. 1 is an elevated perspective view of a timer according to our new design; and
FIG. 2 is a front view of the timer shown in FIG. 1.
The portions of the timer depicted in broken lines form no part of the claimed design.
In FIGS. 1 and 2, the planar surface of the timer between the outer claimed circular edge and the inner claimed arcuate edge, with the exception of the claimed text, forms no part of the claimed design.

1 Claim, 2 Drawing Sheets



US D750,977 S

Page 2

(56)

References Cited

U.S. PATENT DOCUMENTS

D467,187	S *	12/2002	Clivio	D10/40
D467,821	S	12/2002	Ogawa		
D476,240	S	6/2003	Kuramochi et al.		
D485,502	S	1/2004	Clivio		
D507,243	S	7/2005	Miller		
7,225,057	B2 *	5/2007	Froman	A01G 25 165 239/69
7,252,113	B2	8/2007	Jacobs et al.		
7,404,415	B2	7/2008	Jacobs et al.		
D582,797	S	12/2008	Fraser et al.		
D636,278	S	4/2011	Franchini		
D643,755	S	8/2011	Nies et al.		
D647,411	S	10/2011	Barton et al.		
D657,263	S	4/2012	Nies et al.		
D657,264	S	4/2012	Nies et al.		
8,160,750	B2 *	4/2012	Weiler	A01G 25 16 239/69
D658,519	S *	5/2012	Connolly	D10/122
D659,029	S	5/2012	Connolly et al.		
8,251,300	B2	8/2012	Wilson		
D679,259	S *	4/2013	Franchini	D13/162.1
D679,260	S *	4/2013	Franchini	D13/162.1
D682,714	S	5/2013	Barton et al.		
D713,271	S *	9/2014	Ericksen	D10/40
D736,104	S *	8/2015	Ericksen	D10/40
2006/0011243	A1	1/2006	Jacobs et al.		
2009/0001193	A1 *	1/2009	Parsons	A01G 25 16 239/69
2010/0230510	A1 *	9/2010	Wilson	A01G 25 165 239/70

OTHER PUBLICATIONS

Orbit Irrigation Products, Inc., The product(s) shown in attachment 1 were sold or offered for sale by Orbit Irrigation Products, Inc., on or before November of 2008.

Melnor, Inc., AquaTimers. Web page retrieved on Jun. 17, 2013, apparently published on or before Feb. 10, 2012, web.archive.org/web/20120210191541/http://www.melnor.com/products-aquatimers.php.

Melnor, Inc., AquaTimers. Web page retrieved on Jun. 17, 2013, apparently published on or before Jun. 24, 2012, web.archive.org/web/20120624233645/http://www.melnor.com/products-aquatimers.php.

Robert Bosch Tool Corporation, Nelson. Web page retrieved on Jun. 17, 2013, apparently published on or before Jul. 9, 2012, web.archive.org/web/20120709203520/http://www.lnelson.com/products-water-conservation2/water-timers.

Restriction Requirement, U.S. Appl. No. 29/450,680, Mailed on Feb. 2, 2014.

Restriction Requirement Response, U.S. Appl. No. 29/450,680, Dated Apr. 14, 2014.

Restriction Requirement, U.S. Appl. No. 29/500,449, Mailed on Oct. 1, 2014.

Restriction Requirement Response, U.S. Appl. No. 29/500,449, Dated Dec. 1, 2014.

Notice of Allowance and Fees(s) Due (including a Notice of Allowability For A Design Application and an Examiner's Amendment), U.S. Appl. No. 29/500,449, Mailed on Dec. 17, 2014.

Continued Prosecution Application, U.S. Appl. No. 29/500,449, Dated Mar. 17, 2015.

Notice of Allowance and Fees(s) Due (including a Notice of Allowability For A Design Application and an Examiner's Amendment), U.S. Appl. No. 29/500,449, Mailed on Apr. 6, 2015.

Orbit Irrigation Products, Inc., The product(s) shown in attachment 1 were sold or offered for sale by Orbit Irrigation Products, Inc., on or before Nov. 2008.

Robert Bosch Tool Corporation, The product(s) shown in attachment 2 were sold or offered for sale by Robert Bosch Tool Corporation under the brand name Nelson on or before Mar. 19, 2013.

Melnor, Inc., The product(s) shown in attachment 3 were sold or offered for sale by Melnor, Inc., on or before Mar. 19, 2013.

Melnor, Inc., AquaTimers. Web page retrieved on Jun. 17, 2013, apparently published on or before Feb. 10, 2012, web.archive.org/web/20120210191541/http://www.melnor.com/products-aquatimers.php.

Melnor, Inc., AquaTimers. Web page retrieved on Jun. 17, 2013, apparently published on or before Jun. 24, 2012, web.archive.org/web/20120624233645/http://www.melnor.com/products-aquatimers.php.

Robert Bosch Tool Corporation, Nelson. Web page retrieved on Jun. 17, 2013, apparently published on or before Mar. 27, 2012, web.archive.org/web/20120327000229/http://www.lnelson.com/products-water-conservation2/watertimers.

Robert Bosch Tool Corporation, Nelson. Web page retrieved on Jun. 17, 2013, apparently published on or before Jul. 9, 2012, web.archive.org/web/20120709203520/http://www.lnelson.com/products-waterconservation2/water-timers.

Rain Bird Corporation, the product(s) shown in attachment 8 was sold or offered for sale by Rain Bird Corporation at least by Mar. 19, 2012.

Orbit Irrigation Products, Inc., the product(s) shown in attachment 9 were sold or offered for sale by Orbit Irrigation Products, Inc., at least by Mar. 19, 2012.

Orbit Irrigation Products, Inc., the product shown in attachment 10 was sold or offered for sale by Orbit Irrigation Products, Inc., at least by Mar. 19, 2012.

U.S. Appl. No. 29/546,843, filed Nov. 25, 2015, Orbit Irrigation Products, Inc.

Notice of Allowance and Fee(s) Due (including a Notice of Allowability For A Design Application, a Restriction/Election Requirement section, an Examiner's Amendment section, an Amendment to the Drawing section and an Amendment to the Specification section), U.S. Appl. No. 29/546,843, Mailed on Dec. 30, 2015.

Notice of Allowance and Fee(s) Due (including a Notice of Allowability For A Design Application, a Restriction/Election Requirement section, an Examiner's Amendment section, an Amendment to the Drawing section and an Amendment to the Specification section), U.S. Appl. No. 29/532,141, Mailed on Dec. 31, 2015.

* cited by examiner

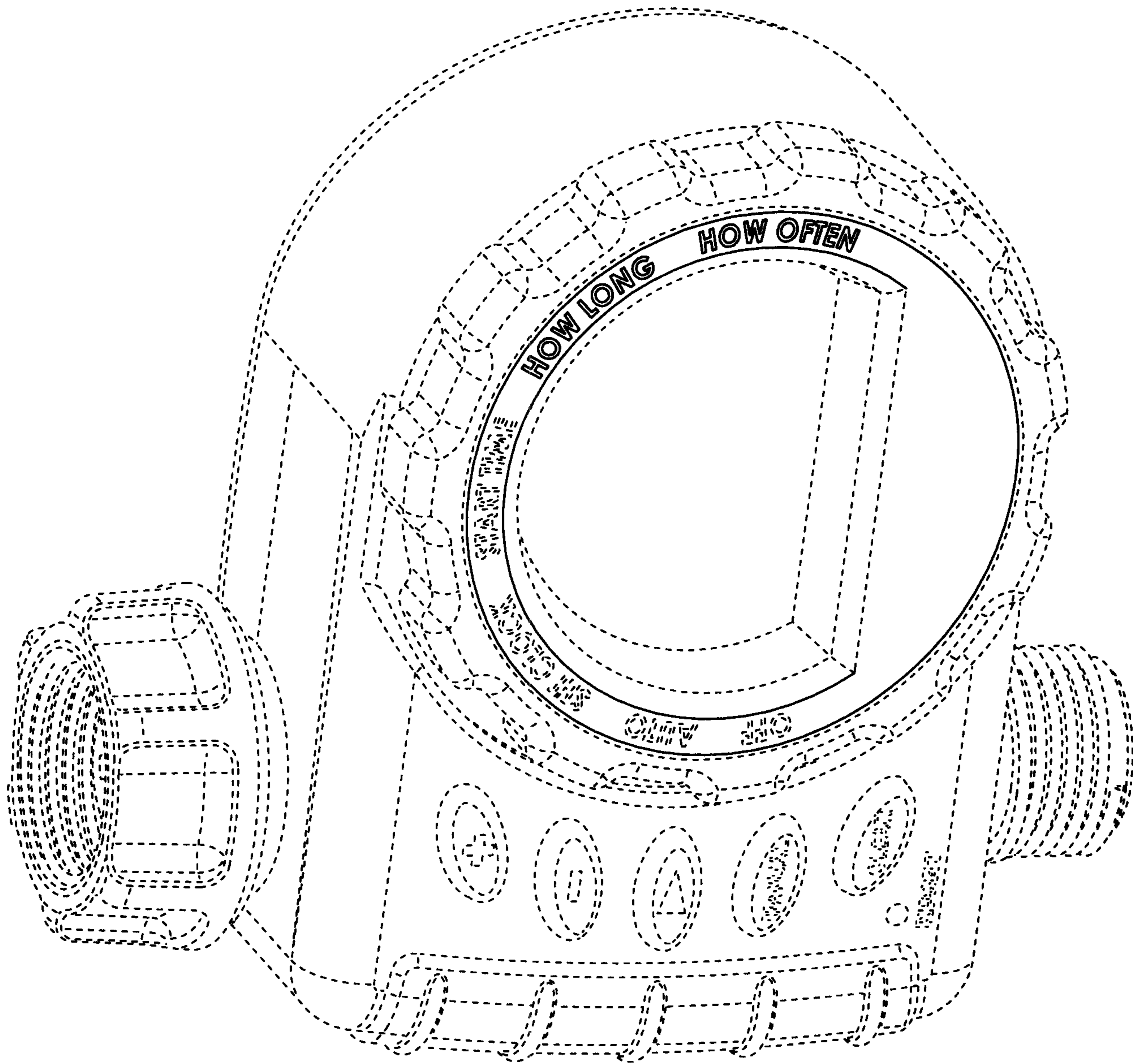


FIG. 1

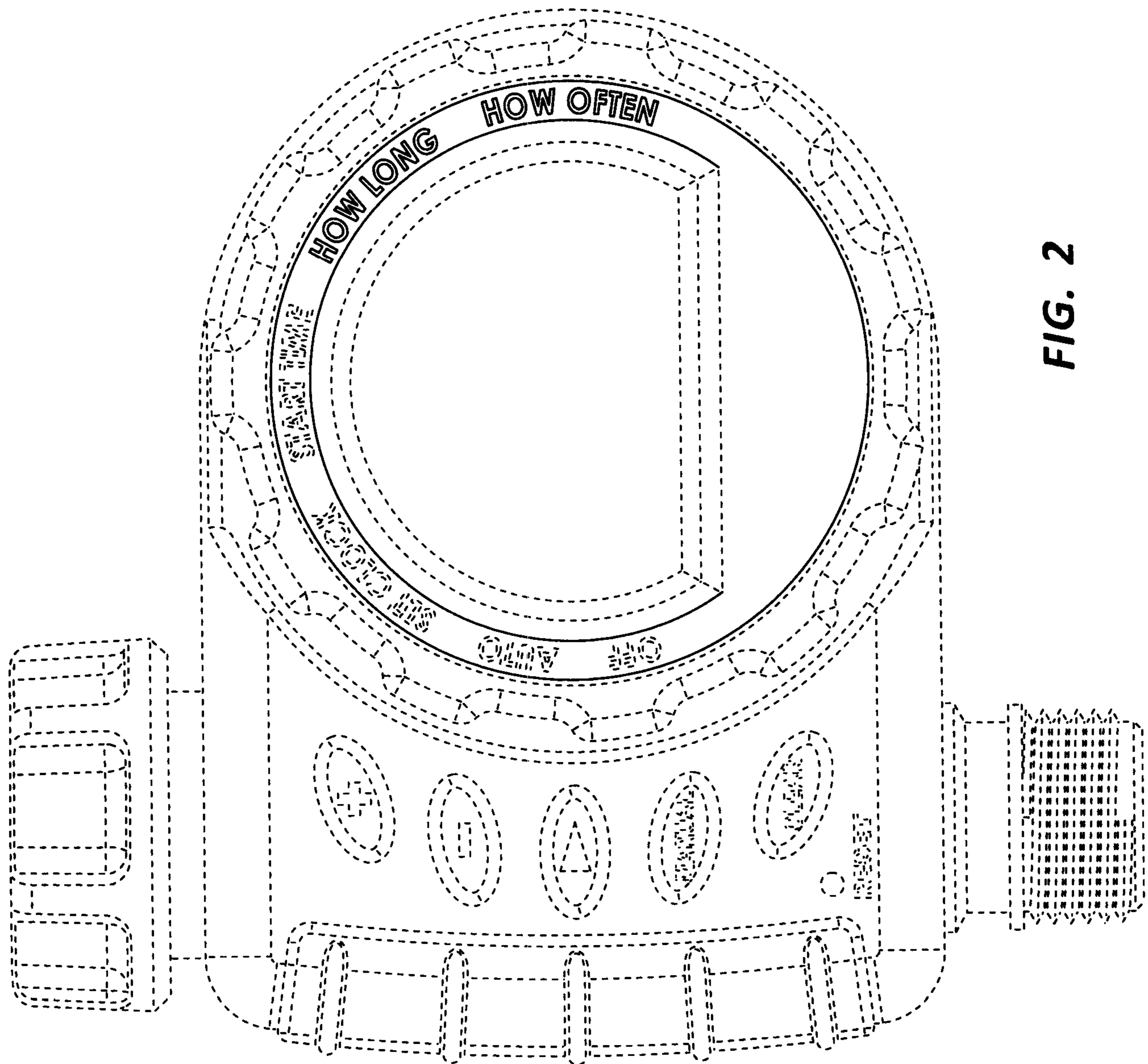


FIG. 2