



US00D750976S

(12) **United States Design Patent**  
**Tilahun et al.**

(10) **Patent No.:** **US D750,976 S**  
(45) **Date of Patent:** **\*\* Mar. 8, 2016**

- (54) **PACKAGE FOR FOOD PRODUCT**
- (71) Applicant: **Kraft Foods Group Brands LLC**,  
Northfield, IL (US)
- (72) Inventors: **Muluken Tilahun**, Waunakee, WI (US);  
**Paris Alexander Edwards Lowitz**,  
Chicago, IL (US); **Stacy Alycia Thomas**  
**Castro**, Chicago, IL (US)
- (73) Assignee: **Kraft Foods Group Brands LLC**,  
Northfield, IL (US)
- (\*\*) Term: **14 Years**
- (21) Appl. No.: **29/483,281**
- (22) Filed: **Feb. 27, 2014**
- (51) **LOC (10) Cl.** ..... **09-03**
- (52) **U.S. Cl.**  
USPC ..... **D9/761; D9/737**
- (58) **Field of Classification Search**  
USPC ..... D9/707, 761, 762, 737, 748, 749, 754,  
D9/755, 700, 686, 688, 689, 390, 414, 415,  
D9/424-427, 430-432, 434, 435, 454,  
D9/456; D7/553.1, 553.2, 553.3, 553.4,  
D7/553.5, 553.6, 553.7; D24/104, 226,  
D24/230; 229/406, 164.1; 220/500, 555,  
220/631, 657, 659, 904; 206/461; 416/108,  
416/110, 119, 122  
CPC ..... B65D 1/36; B65D 71/70; B65D 85/78;  
A23G 9/503  
See application file for complete search history.
- (56) **References Cited**

3,565,245	A	*	2/1971	Asher et al.	.....	206/229
D232,348	S	*	8/1974	Cloud	.....	D9/415
D273,765	S	*	5/1984	Cillario	.....	D9/761
D279,865	S	*	7/1985	McKee	.....	D9/737
D292,379	S	*	10/1987	Pollitt	.....	D9/761
D297,115	S	*	8/1988	Fontana et al.	.....	D9/737
D297,116	S	*	8/1988	Fontana et al.	.....	D9/737
D297,117	S	*	8/1988	Fontana et al.	.....	D9/737
D297,118	S	*	8/1988	Fontana et al.	.....	D9/737
D297,119	S	*	8/1988	Fontana et al.	.....	D9/737
4,836,380	A	*	6/1989	Walter et al.	.....	206/561
D303,215	S	*	9/1989	Hoyt	.....	D9/414
5,092,475	A		3/1992	Krishnakumar et al.		
D339,522	S	*	9/1993	Zoss	.....	D9/737
D349,456	S	*	8/1994	Wilson	.....	D9/737
D366,187	S		1/1996	Van Den Kieboom		
D371,940	S	*	7/1996	Krupa	.....	D7/549

(Continued)

**FOREIGN PATENT DOCUMENTS**

- WO WO-2014/005023 1/2014
- Primary Examiner* — Susan Bennett Hattan
- Assistant Examiner* — Marie Fast Horse
- (74) *Attorney, Agent, or Firm* — Foley & Lardner LLP

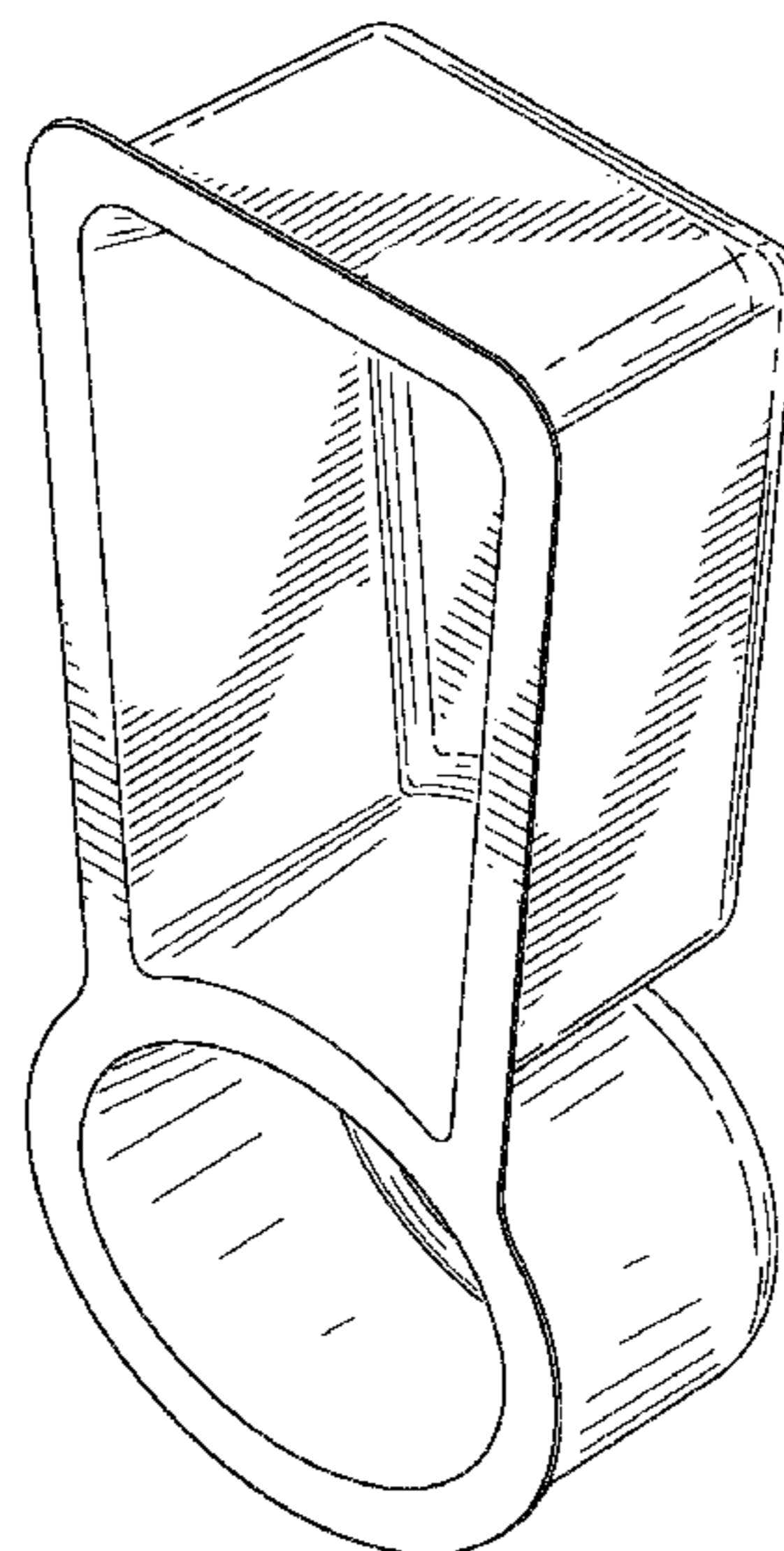
(57) **CLAIM**  
We claim the ornamental design for a package for a food product, as shown.

**DESCRIPTION**

FIG. 1 is a front perspective view of the claimed design;  
FIG. 2 is a front view of the design of FIG. 1;  
FIG. 3 is a rear view of the design of FIG. 1;  
FIG. 4 is a right side view of the design of FIG. 1;  
FIG. 5 is a left side view of the design of FIG. 1;  
FIG. 6 is a top view of the design of FIG. 1; and,  
FIG. 7 is a bottom view of the design of FIG. 1.

**1 Claim, 5 Drawing Sheets**

- D144,016 S 2/1946 Weideman
- D195,737 S \* 7/1963 Bassett ..... D9/415



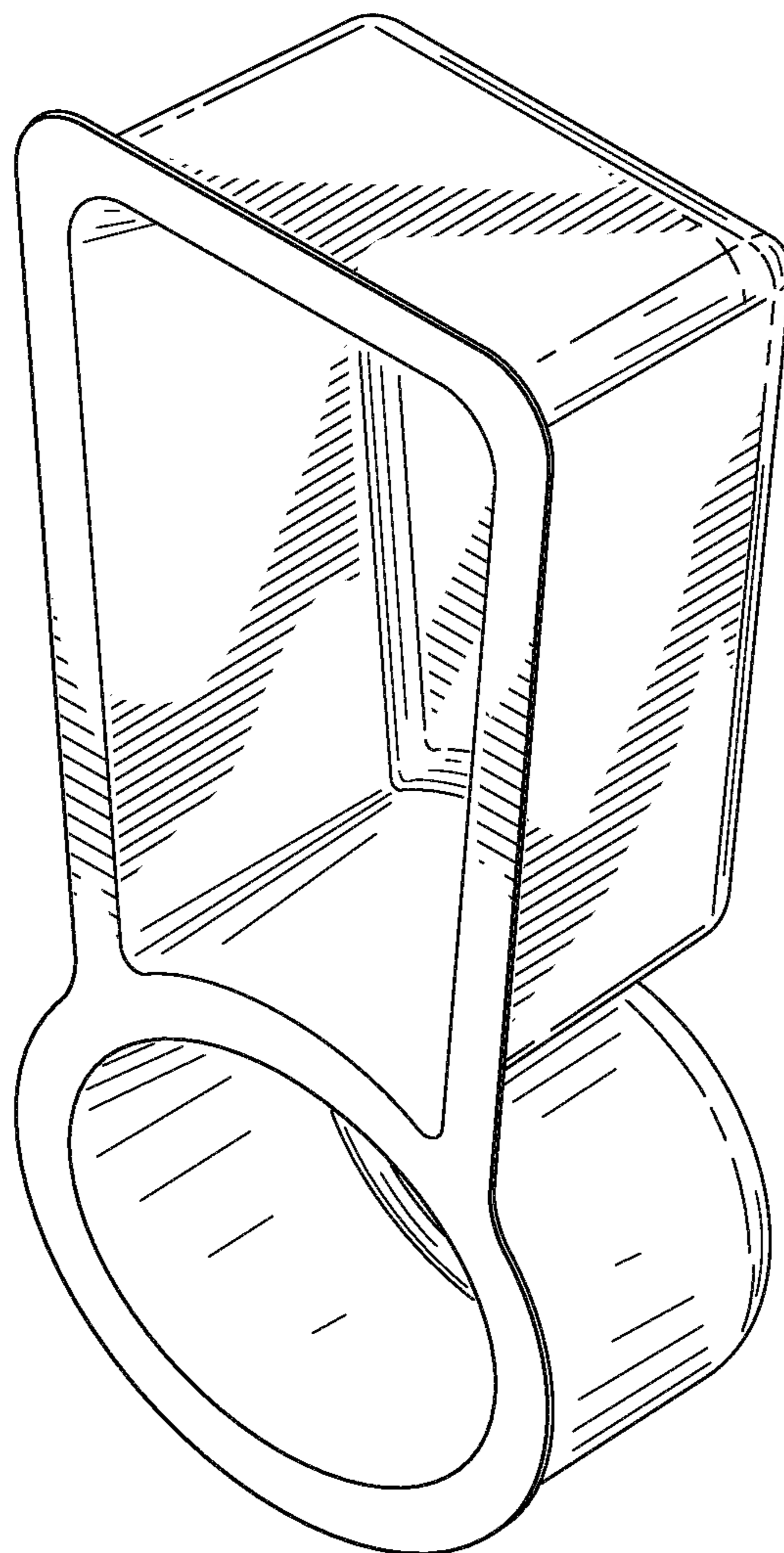
(56)

References Cited

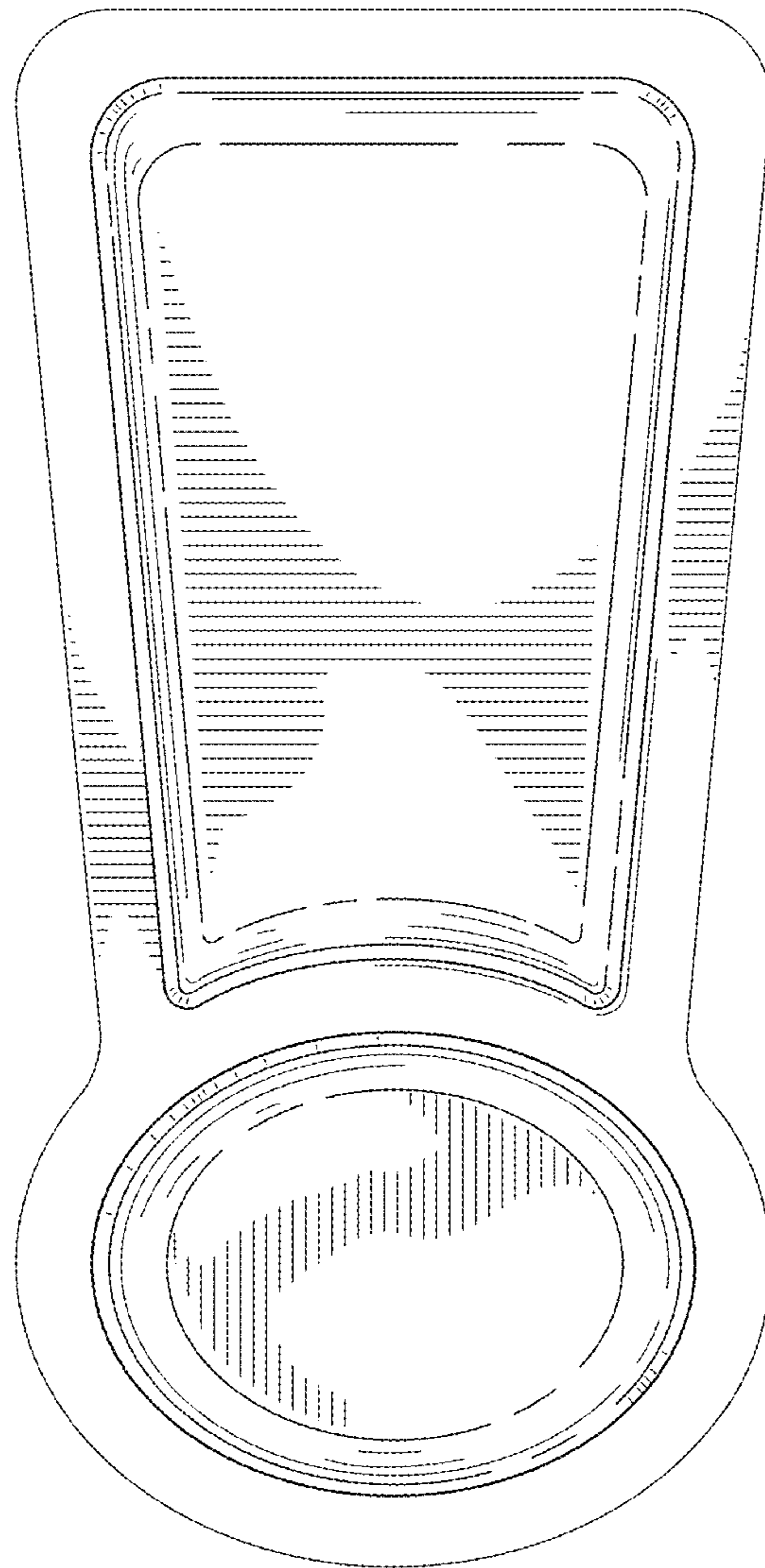
U.S. PATENT DOCUMENTS

5,598,941 A	2/1997	Semersky et al.	
D386,075 S *	11/1997	Hayes et al. ....	D9/761
D395,232 S *	6/1998	Bryan et al. ....	D9/761
D395,233 S *	6/1998	Bryan et al. ....	D9/721
D408,684 S	4/1999	Helm	
D411,798 S *	7/1999	Suzuki .....	D9/415
5,927,533 A	7/1999	Payne et al.	
D419,061 S	1/2000	Croft et al.	
D420,855 S *	2/2000	Hurley .....	D7/549
D427,914 S	7/2000	Croft et al.	
D429,147 S *	8/2000	Baker et al. ....	D9/717
6,117,506 A	9/2000	Graboski et al.	
6,152,302 A *	11/2000	Miller et al. ....	206/549
D443,510 S *	6/2001	Doucette .....	D9/761
D446,127 S	8/2001	Adee et al.	
D446,128 S	8/2001	Adee et al.	
D446,730 S	8/2001	Adee et al.	
D450,596 S	11/2001	Adee et al.	
D481,635 S	11/2003	Lovelace et al.	
6,662,960 B2	12/2003	Hong et al.	
6,695,162 B1	2/2004	Boukobza et al.	
6,698,606 B2	3/2004	Deubel et al.	
6,763,969 B1	7/2004	Melrose et al.	
D494,463 S	8/2004	Tsao	
D495,246 S *	8/2004	Tomassetti .....	D9/415
D504,326 S *	4/2005	Vovan .....	D9/761
6,929,139 B2	8/2005	Darr	
D529,821 S *	10/2006	Wilcox et al. ....	D9/761
D530,626 S *	10/2006	Tanja .....	D9/761
D531,054 S *	10/2006	Sagel .....	D9/737
D535,889 S	1/2007	Kaminski et al.	
D536,619 S	2/2007	Heisner	
D549,572 S *	8/2007	Althouse et al. ....	D9/415
D562,146 S	2/2008	Zboch et al.	
D568,164 S	5/2008	Dodge et al.	
D569,733 S	5/2008	Dodge et al.	
7,367,365 B2	5/2008	Slat et al.	
D571,228 S *	6/2008	Maslowski .....	D9/737
D577,577 S *	9/2008	Lee et al. ....	D9/415
D579,769 S *	11/2008	Lipinski et al. ....	D9/759
D585,746 S	2/2009	Dodge et al.	
D585,747 S	2/2009	Dodge et al.	
D585,755 S	2/2009	Dodge et al.	
7,568,588 B2	8/2009	Yourist	
7,581,654 B2	9/2009	Stowitts	
D609,576 S	2/2010	Kuzma et al.	
7,699,183 B2	4/2010	Matsuoka et al.	
D621,718 S *	8/2010	Mehdizadeh .....	D9/707
7,798,349 B2	9/2010	Maczek et al.	
D626,002 S	10/2010	Charyszyn et al.	
7,959,024 B2	6/2011	Pedmo et al.	
D642,066 S	7/2011	Kuzma et al.	
D645,764 S	9/2011	Mathis et al.	
8,069,986 B2	12/2011	Darr et al.	
D652,323 S	1/2012	Clark	
8,113,370 B2	2/2012	Zhang et al.	
D655,629 S	3/2012	Blanton et al.	
D659,000 S	5/2012	Kim et al.	
D664,434 S	7/2012	Kim et al.	
D669,368 S	10/2012	Ehrmann	
D674,288 S	1/2013	Gieske	
D681,474 S	5/2013	Gieske	
8,474,638 B2	7/2013	Pedmo et al.	
8,540,095 B2	9/2013	Pedmo et al.	
D693,178 S *	11/2013	Wilson .....	D7/553.2
D696,136 S	12/2013	Gieske	
D697,415 S	1/2014	Bryant et al.	
8,632,722 B2	1/2014	Porter et al.	
D701,430 S *	3/2014	Hohnstein et al. ....	D7/553.8
D712,283 S *	9/2014	Ehrmann .....	D9/761
D713,742 S *	9/2014	Dzikowicz et al. ....	D9/761
D714,660 S *	10/2014	Tilahun et al. ....	D9/737
2005/0068182 A1	3/2005	Dunlap et al.	
2008/0179271 A1	7/2008	Bangi	
2010/0183775 A1 *	7/2010	Cudnohoske .....	426/110
2011/0132916 A1	6/2011	Uptergrove et al.	
2012/0181246 A1	7/2012	Ross et al.	
2012/0267381 A1	10/2012	Trude et al.	
2012/0325770 A1	12/2012	Reeber et al.	
2013/0032604 A1	2/2013	Jamali	
2013/0082024 A1	4/2013	Howell et al.	

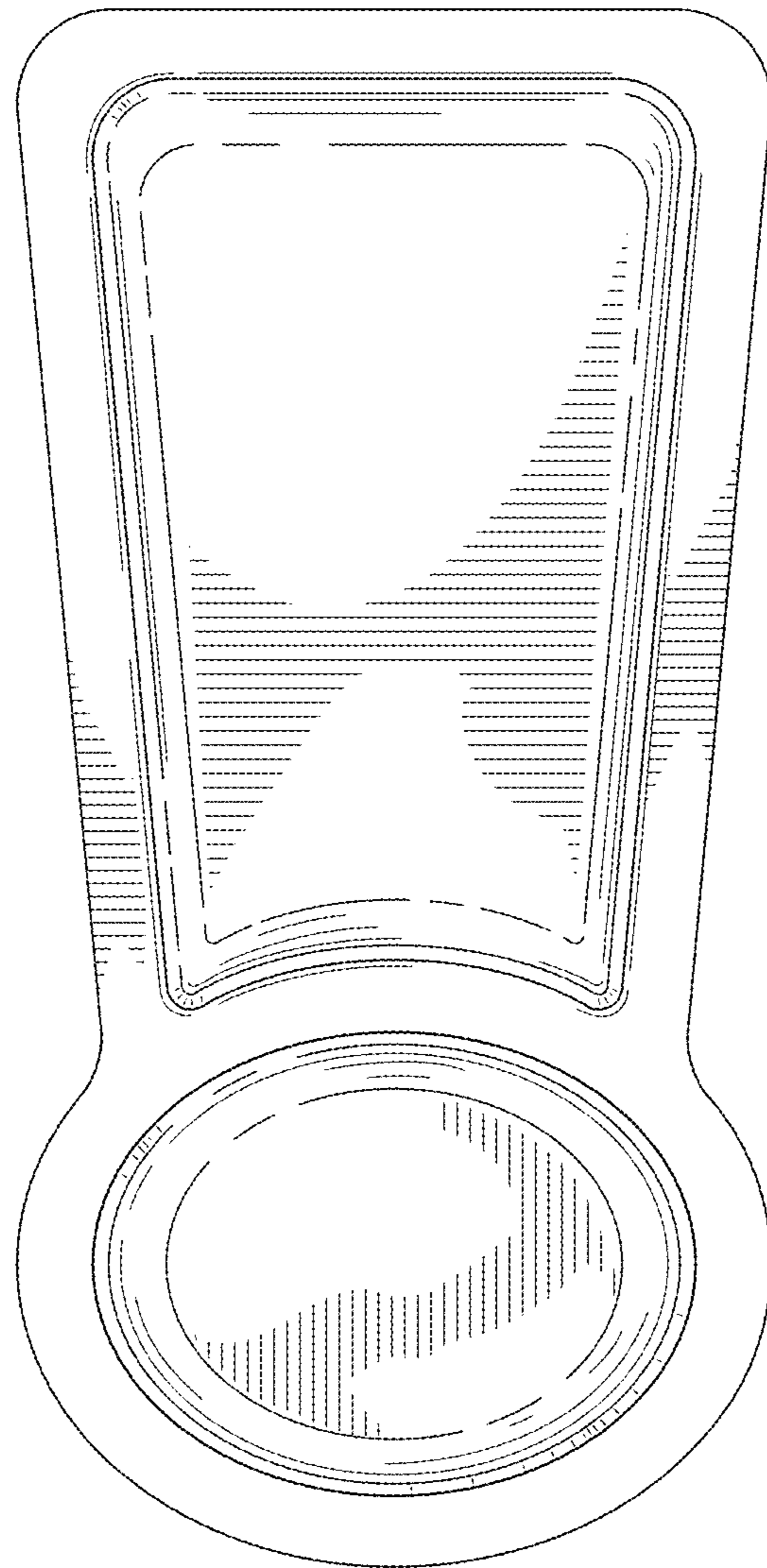
\* cited by examiner



**FIG. 1**



**FIG. 2**



**FIG. 3**

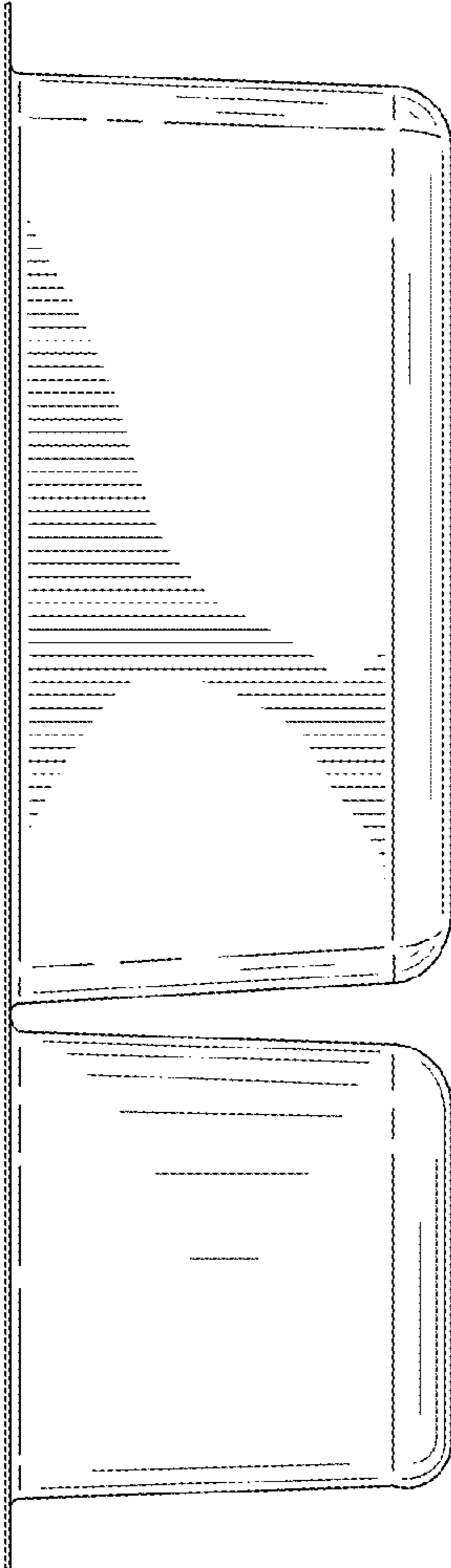


FIG. 4

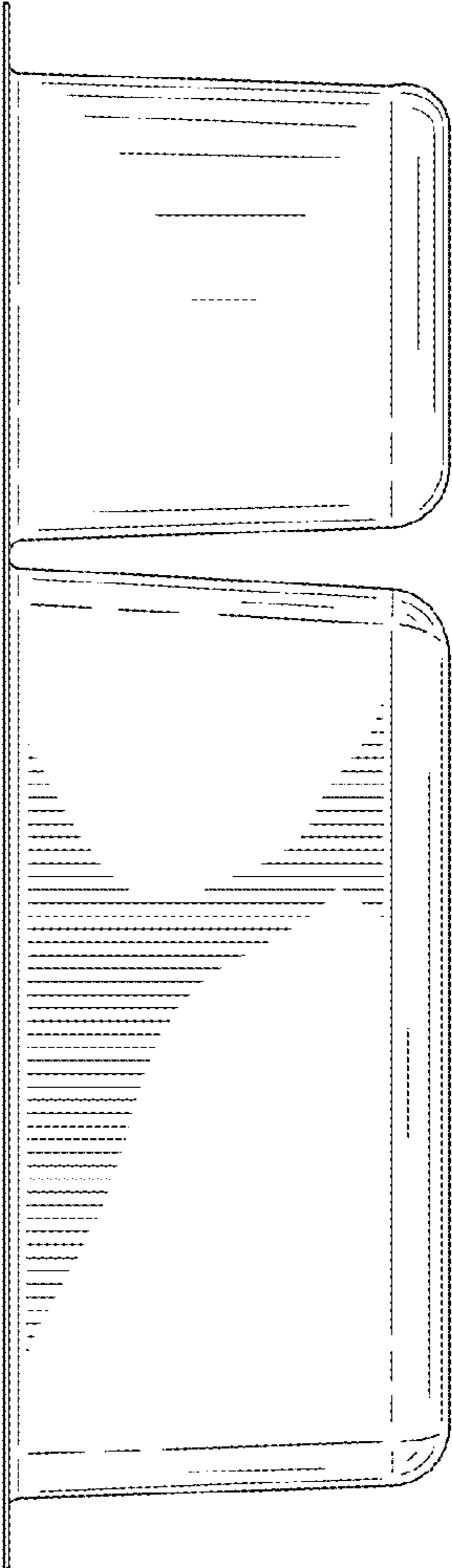
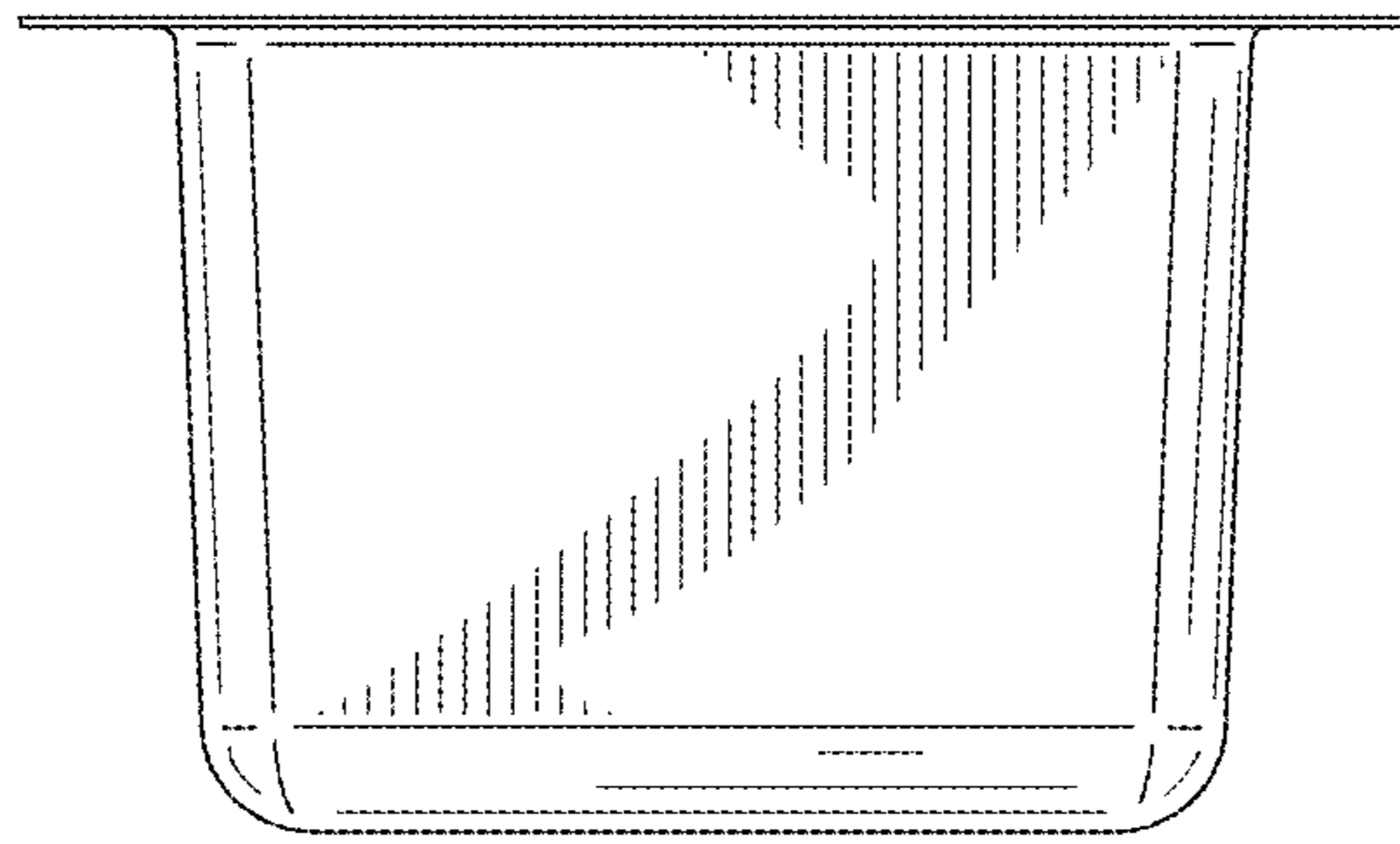
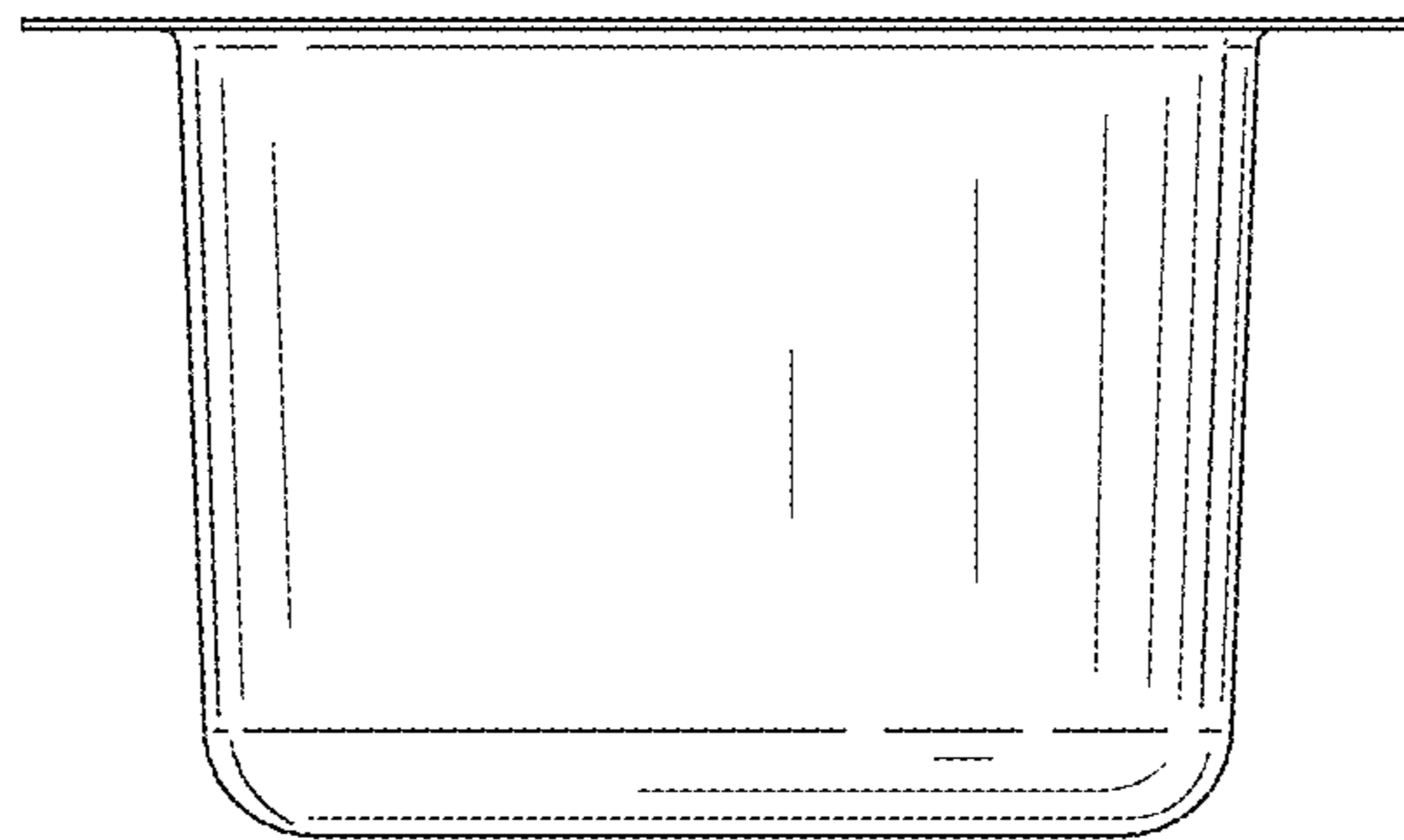


FIG. 5



**FIG. 6**



**FIG. 7**