



US00D750974S

(12) **United States Design Patent**  
**McSweeney et al.**

(10) **Patent No.:** **US D750,974 S**  
(45) **Date of Patent:** **\*\* Mar. 8, 2016**

(54) **CONNECTED SINGLE-SERVE CONTAINERS**

(56) **References Cited**

(71) Applicant: **MARS, INCORPORATED**, McLean, VA (US)

U.S. PATENT DOCUMENTS

(72) Inventors: **Jonathan Lee McSweeney**, Antioch, TN (US); **David Matthew Craig**, Thompsons Station, TN (US); **Jason Lee Brown**, Franklin, TN (US); **Daniel Lynn Preusser**, Union, MO (US)

D9,661 S	12/1876	Heuacker
D213,387 S	2/1969	Cronhein
3,530,917 A	9/1970	Donovan
D220,749 S	5/1971	Artz
D241,622 S	9/1976	Smith
D273,765 S	5/1984	Cillario
D273,842 S	5/1984	Jeannin
D290,232 S	6/1987	Holzkopf et al.
D317,567 S	6/1991	Lane, Sr.

(73) Assignee: **MARS, Incorporated**, McLean, VA (US)

(Continued)

(\*\*) Term: **15 Years**

OTHER PUBLICATIONS

(21) Appl. No.: **29/527,853**

Mars Containers. (Design— © Questel). orbit.com [online PDF] 52 pages. Upload ranges from Oct. 2, 2013-2014 [retrieved on Apr. 7, 2015]. Retrieved from Internet: <<http://sobjprd.questel.fr/export/QPTUJ214/pdf2/099c057d-aea7-4681-bc1f-2f0adeca8f30-173955.pdf>>.

(22) Filed: **May 22, 2015**

*Primary Examiner* — Mark Goodwin

**Related U.S. Application Data**

(74) *Attorney, Agent, or Firm* — Arent Fox LLP

(60) Division of application No. 29/468,719, filed on Oct. 2, 2013, now Pat. No. Des. 740,135, which is a continuation of application No. 29/453,563, filed on Apr. 30, 2013, now Pat. No. Des. 741,201.

(57) **CLAIM**

The ornamental design for connected single-serve containers, as shown and described.

(51) **LOC (10) Cl.** ..... **09-03**

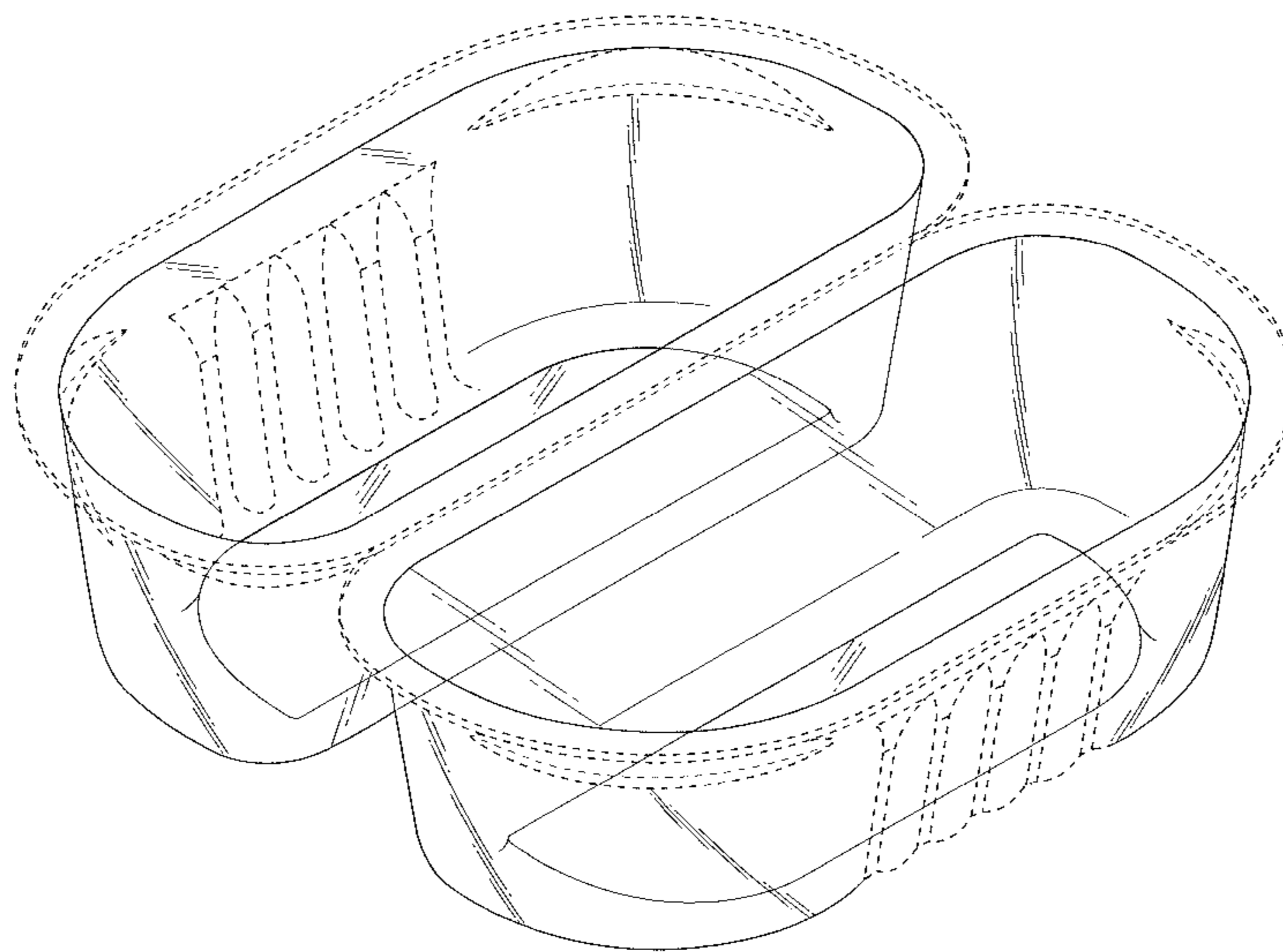
**DESCRIPTION**

(52) **U.S. Cl.**  
USPC ..... **D9/756; D9/426**

(58) **Field of Classification Search**  
USPC ..... D9/416, 424, 425, 426, 428, 429, 430, D9/432, 737, 756, 759, 760, 761; D7/550, D7/553, 555; 206/561, 564; 220/500, 555, 220/657, 659, 904; 229/404  
CPC ..... B65D 1/40; B65D 1/34; B65D 1/44; B65D 85/34; B65D 5/48; B65D 5/4805; B65D 5/56; B65D 5/48022; B65D 5/566; B65D 77/0433; B65D 77/04  
See application file for complete search history.

FIG. 1 is a perspective view of connected single-serve containers showing our new design;  
FIG. 2 is a front view of the design shown in FIG. 1, the back view being a mirror image thereof;  
FIG. 3 is a left side view of the design shown in FIG. 1, the right side view being a mirror image thereof;  
FIG. 4 is a top view of the design shown in FIG. 1; and  
FIG. 5 is a bottom view of the design shown in FIG. 1.  
The broken lines shown in the drawings represent unclaimed portions of the connected single-serve containers and form no part of the claimed design.

**1 Claim, 5 Drawing Sheets**



(56)

**References Cited**

U.S. PATENT DOCUMENTS

D371,940 S	7/1996	Krupa	D536,992 S	2/2007	Garg et al.
D386,075 S	11/1997	Hayes et al.	D537,718 S	3/2007	Gomoll et al.
D393,798 S	4/1998	Joswick	D542,649 S	5/2007	Sagel et al.
D417,785 S	12/1999	Daniels	D543,452 S	5/2007	Gehring et al.
6,086,931 A	7/2000	Whiteford	D543,843 S	6/2007	Gehring et al.
D430,023 S	8/2000	Shurtleff et al.	D548,069 S	8/2007	Sagel et al.
D437,220 S	2/2001	Knutson et al.	D553,010 S	10/2007	Cutts et al.
D448,130 S	9/2001	Wagner	D569,193 S	5/2008	El Ghouyel
D456,707 S	5/2002	Agarwal	D575,148 S	8/2008	Sagel
D461,123 S	8/2002	Hayes et al.	D581,266 S	11/2008	Vovan
6,523,686 B1	2/2003	Bae	D585,735 S	2/2009	Vovan
6,619,501 B2	9/2003	Hayes et al.	D587,993 S	3/2009	Vovan
D485,942 S	1/2004	McLeish	D588,937 S	3/2009	Pelletier et al.
D504,325 S	4/2005	Vovan	D592,497 S	5/2009	Brown
D505,335 S	5/2005	Grenda	D595,154 S	6/2009	Nicholson et al.
D510,263 S	10/2005	Isono et al.	D601,014 S	9/2009	Petitjean
D524,645 S	7/2006	LaMasney	D627,221 S	11/2010	Kovatch
7,093,816 B2	8/2006	Lacan et al.	D629,702 S	12/2010	Caldwell et al.
D527,626 S	9/2006	Weiss et al.	D643,309 S	8/2011	Birchmeier et al.
D531,029 S	10/2006	Gomoll et al.	D667,734 S	9/2012	Goodman
D535,195 S	1/2007	Schwab	8,328,043 B2	12/2012	Kessell et al.
			D673,447 S	1/2013	Freeman et al.
			D710,701 S	8/2014	Lai
			D713,741 S	9/2014	Wilmers
			2009/0321292 A1	12/2009	Prudden et al.

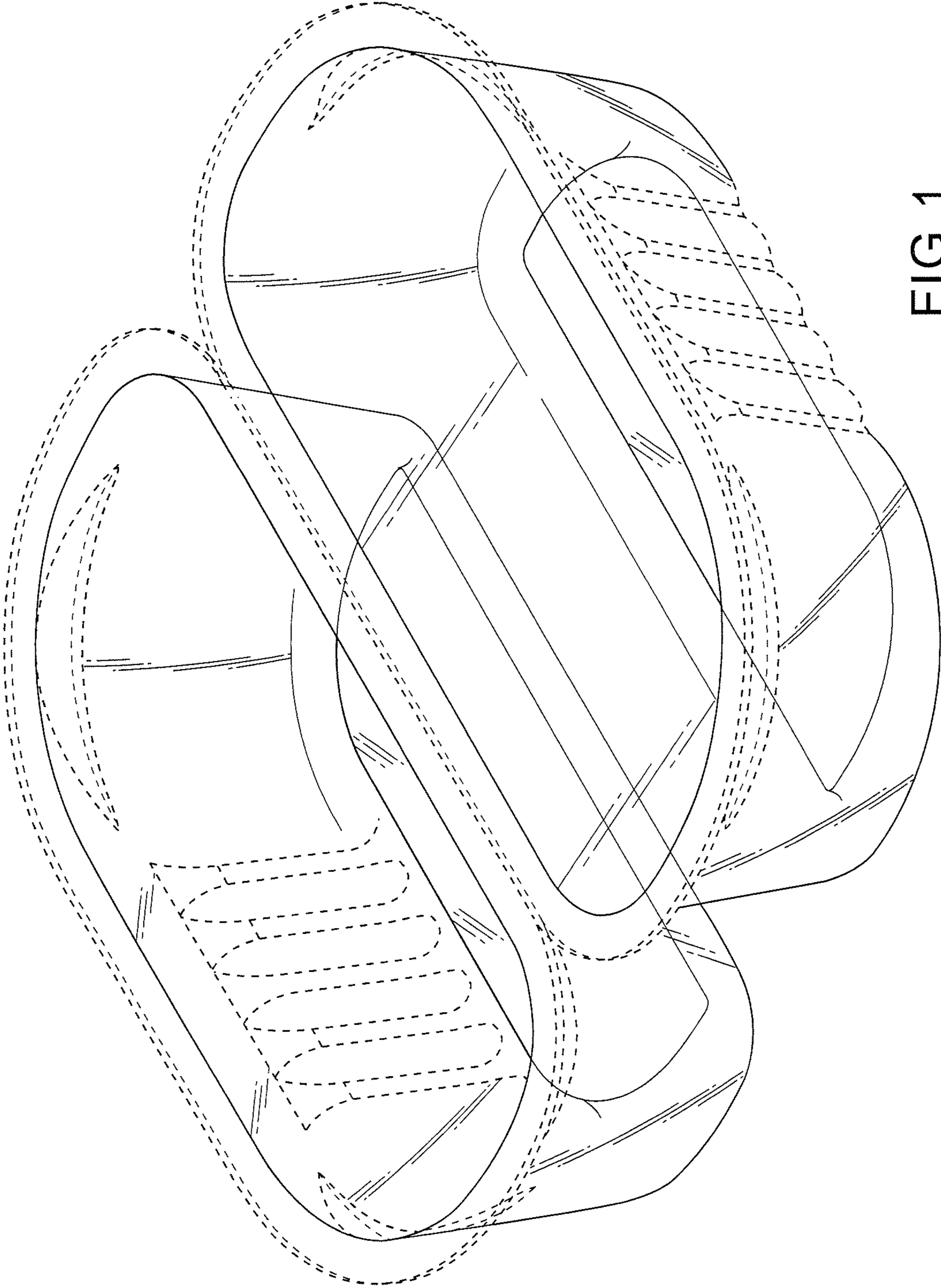


FIG. 1

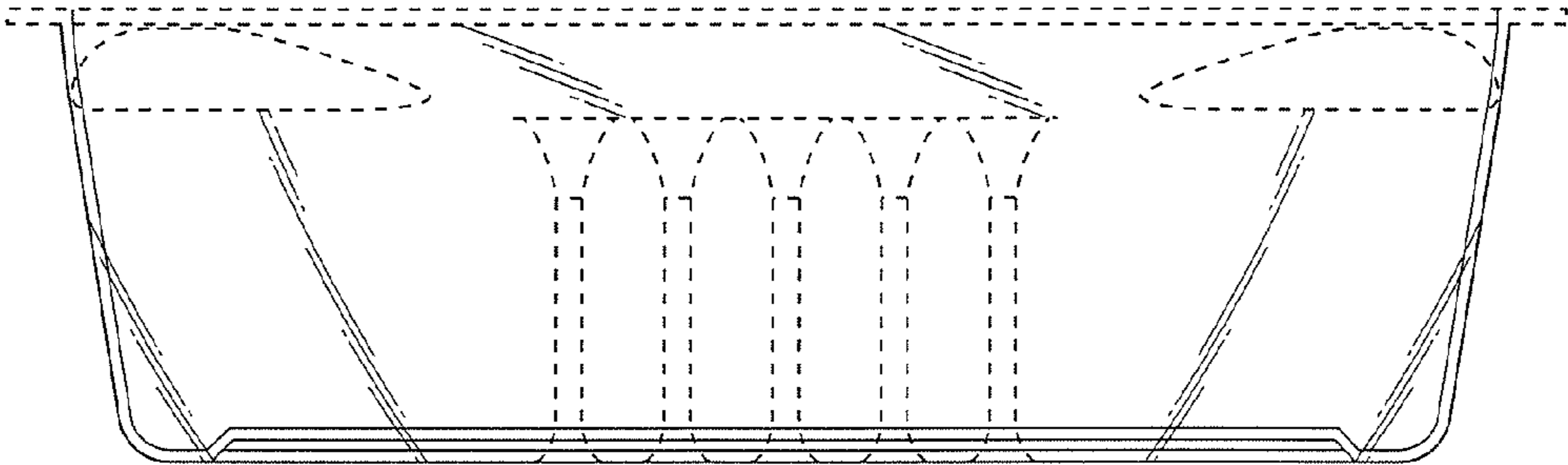


FIG. 2

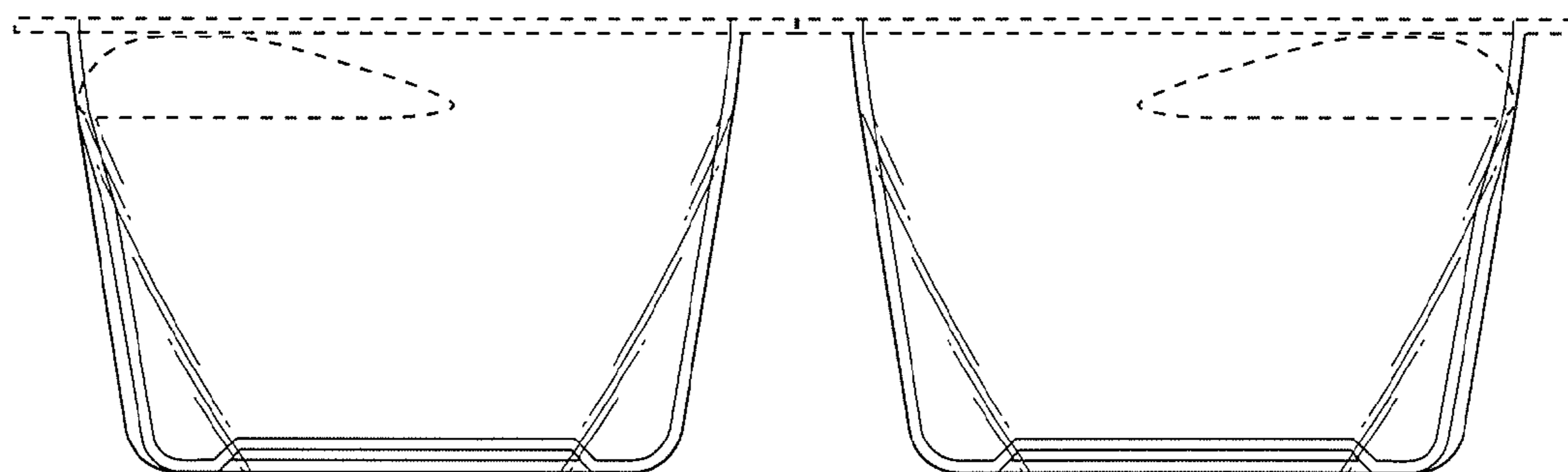


FIG.3

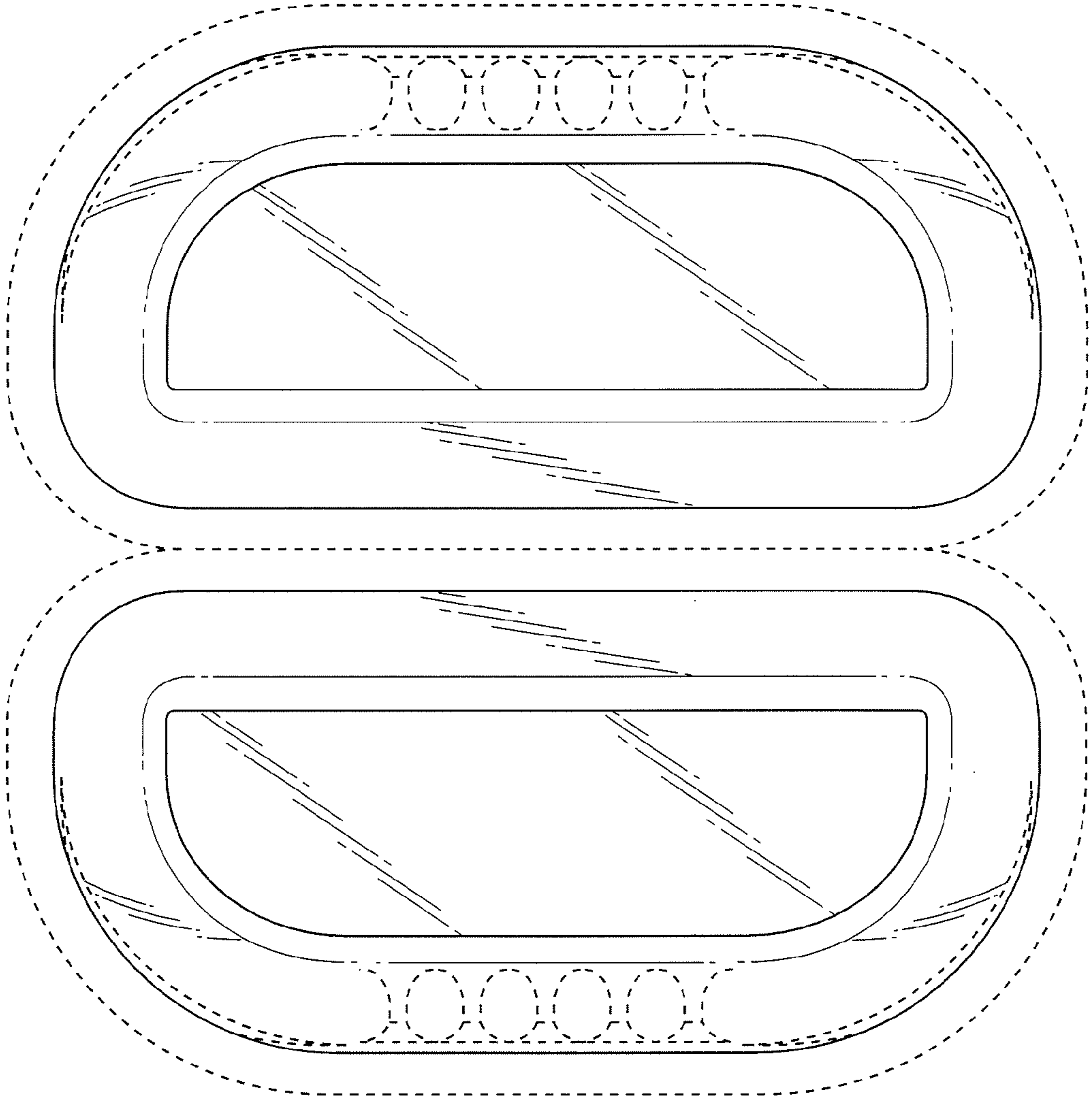


FIG.4

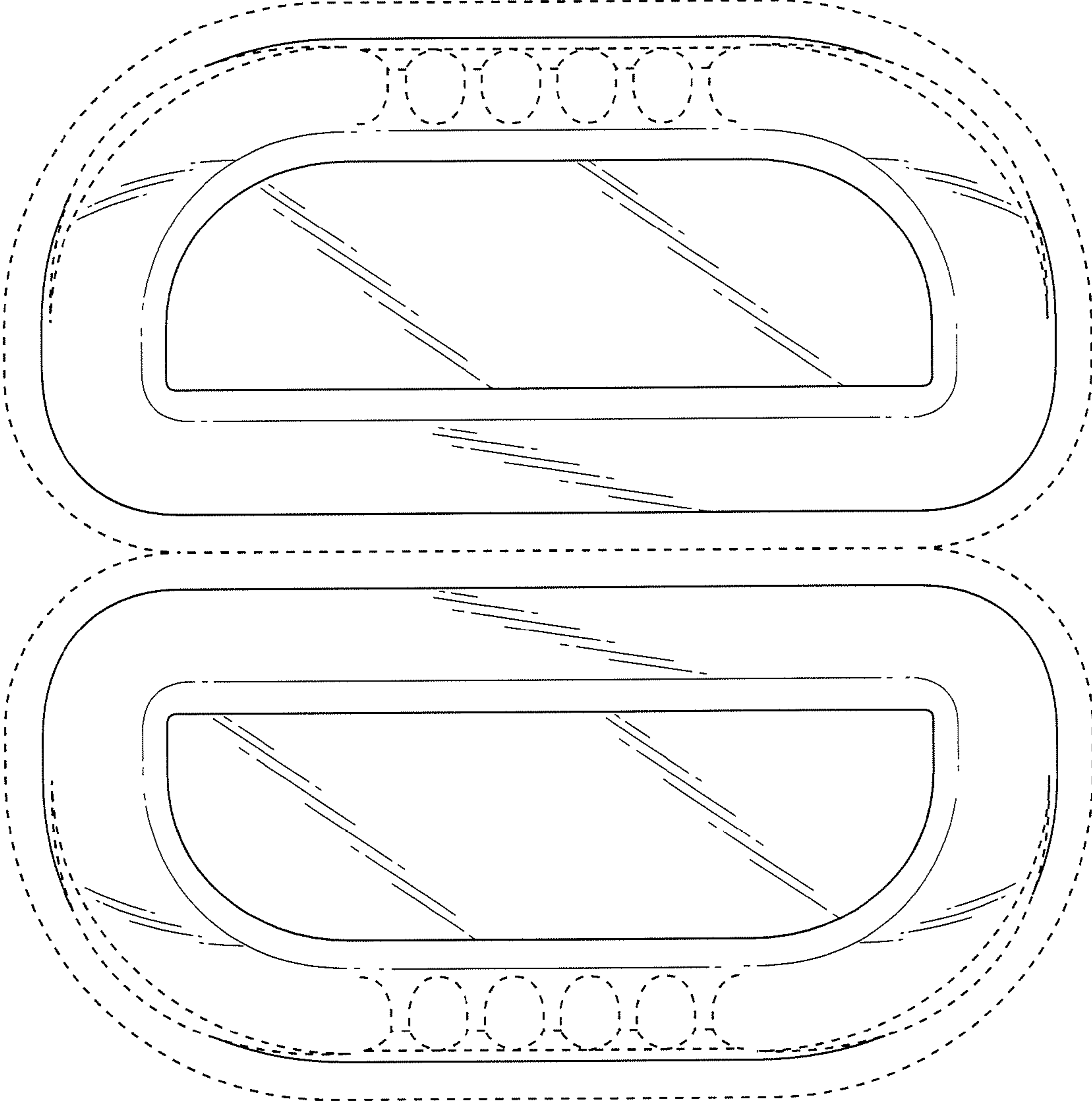


FIG. 5