



US00D750973S

(12) **United States Design Patent**
McSweeney et al.

(10) **Patent No.:** **US D750,973 S**
(45) **Date of Patent:** **** Mar. 8, 2016**

- (54) **TRAY**
- (71) Applicant: **Mars, Incorporated**, McLean, VA (US)
- (72) Inventors: **Jonathan Lee McSweeney**, Antioch, TN (US); **Jonathan Christopher Smith**, Nashville, TN (US)
- (73) Assignee: **MARS, Incorporated**, McLean, VA (US)
- (**) Term: **14 Years**
- (21) Appl. No.: **29/463,739**
- (22) Filed: **Feb. 21, 2014**
- (51) **LOC (10) Cl.** **09-03**
- (52) **U.S. Cl.**
USPC **D9/756**
- (58) **Field of Classification Search**
USPC D9/737, 754-759, 761, 456; D3/201, D3/203.1, 203.2, 203.3, 203.4, 203.5, D3/203.6, 203.7, 203.8, 283, 304, 310, D3/313, 319; 206/557, 558, 223, 541, 206/521.1, 521.15, 521.3, 745; D7/513, D7/545, 550.1, 551.2, 554.3, 587, 584, D7/629; D24/104, 226, 230; 229/120.02, 229/904, 934, 935, 937
CPC B65D 77/24; B65D 77/0433; B65D 81/3862; B65D 1/30; B65D 1/34; B65D 81/3813; B65D 5/48; B65D 5/48024; B65D 5/5069; B65D 25/00
See application file for complete search history.

- D213,387 S * 2/1969 Cronheim D7/409
- D218,843 S * 9/1970 Melich D7/544
- 3,565,245 A * 2/1971 Asher et al. 206/229
- D227,041 S * 5/1973 Link D23/290
- D232,302 S * 8/1974 Lazura D9/761
- D232,348 S * 8/1974 Cloud D9/415
- D241,622 S * 9/1976 Smith D9/760
- D273,765 S * 5/1984 Cillario D9/761
- D273,842 S * 5/1984 Jeannin D9/758
- 4,673,085 A * 6/1987 Badouard et al. 220/266

(Continued)

Primary Examiner — Susan Bennett Hattan
Assistant Examiner — Marie Fast Horse
(74) *Attorney, Agent, or Firm* — Arent Fox LLP

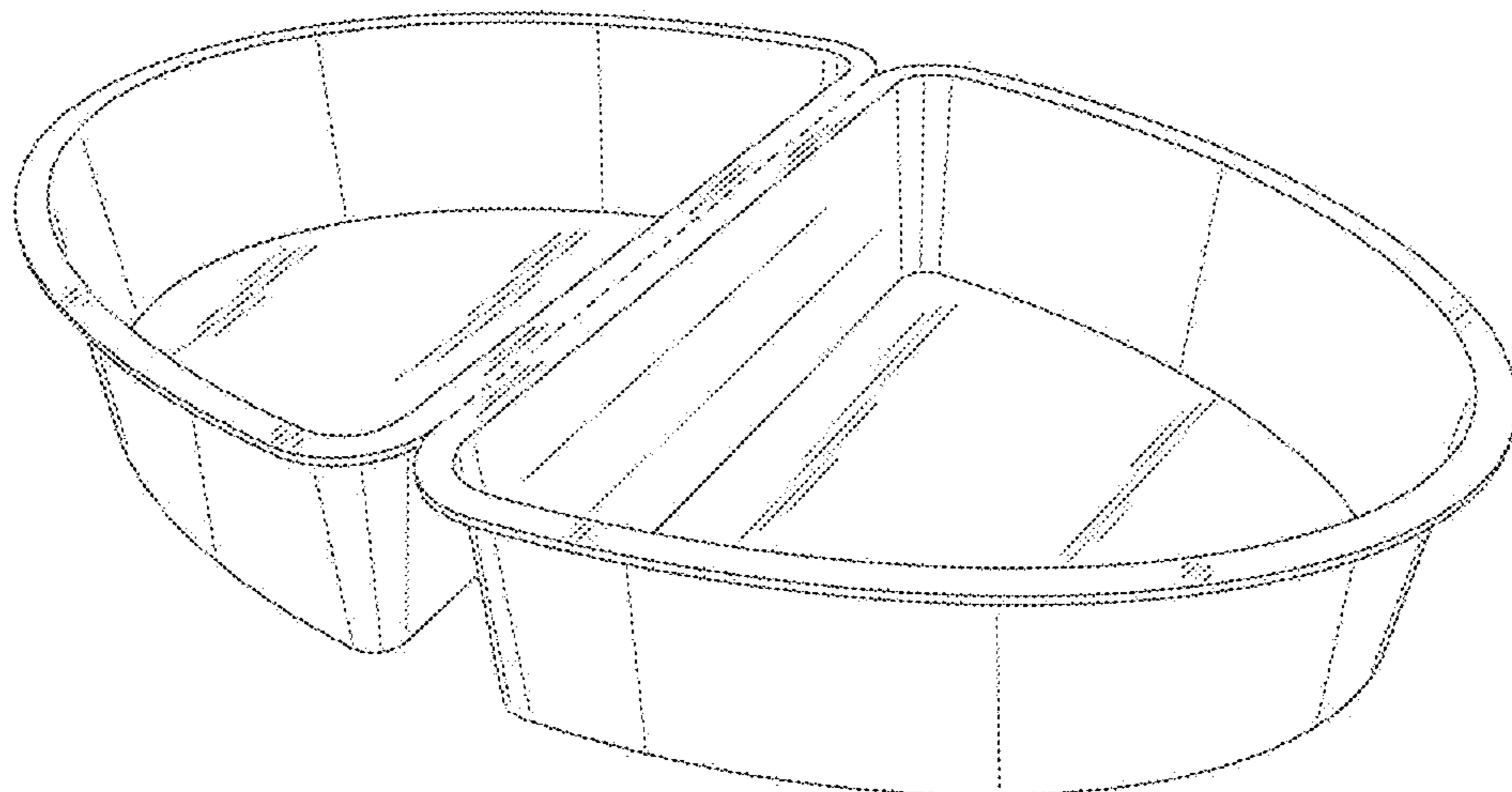
(57) **CLAIM**
The ornamental design for a tray, as shown and described.

DESCRIPTION

FIG. 1 is a perspective view of a tray showing our new design; FIG. 2 is a front view of the design shown in FIG. 1; FIG. 3 is a rear view of the design shown in FIG. 1; FIG. 4 is a top view of the design shown in FIG. 1, wherein the bottom view is identical to the view in FIG. 4; FIG. 5 is a right side view of the design shown in FIG. 1, wherein the left side view is identical to the view in FIG. 5; FIG. 6 is a perspective view of a second embodiment of a tray showing our new design; FIG. 7 is a front view of the design shown in FIG. 6; FIG. 8 is a rear view of the design shown in FIG. 6; FIG. 9 is a top view of the design shown in FIG. 6, wherein the bottom view is identical to the view in FIG. 9; and, FIG. 10 is a right side view of the design shown in FIG. 6, wherein the left side view is identical to the view in FIG. 10. The broken lines shown in the drawings represent unclaimed portions of the tray and form no part of the claimed design.

1 Claim, 8 Drawing Sheets

- (56) **References Cited**
U.S. PATENT DOCUMENTS
D9,661 S * 12/1876 Heuker D7/555
D195,602 S * 7/1963 Bostrom D9/760



(56)

References Cited

U.S. PATENT DOCUMENTS

D293,767	S *	1/1988	Powers	D9/761
D297,115	S *	8/1988	Fontana et al.	D9/737
D297,116	S *	8/1988	Fontana et al.	D9/737
D297,118	S *	8/1988	Fontana et al.	D9/737
D297,119	S *	8/1988	Fontana et al.	D9/737
4,836,380	A *	6/1989	Walter et al.	206/561
5,269,430	A *	12/1993	Schlaupitz et al.	220/4.23
D351,997	S *	11/1994	Finnah	D9/737
D371,940	S *	7/1996	Krupa	D7/549
D393,798	S *	4/1998	Joswick	D9/737
D394,001	S *	5/1998	Vilos	D9/737
D395,985	S *	7/1998	Krupa et al.	D7/629
D398,524	S *	9/1998	Waterhouse	D9/737
D398,847	S *	9/1998	Wyslotsky et al.	D9/425
5,853,105	A *	12/1998	Roman et al.	220/575
D407,534	S *	3/1999	Howard et al.	D34/1
D417,366	S *	12/1999	Obra	D7/549
D420,283	S *	2/2000	Reichel	D9/759
D420,855	S *	2/2000	Hurley	D7/549
D423,344	S *	4/2000	Kumakura et al.	D9/415
D424,426	S *	5/2000	Fletcher	D9/737
D429,147	S *	8/2000	Baker et al.	D9/717
D430,372	S *	8/2000	Howard et al.	D34/1
D446,374	S *	8/2001	Howard et al.	D34/1
D446,619	S *	8/2001	Howard et al.	D34/1
D448,130	S *	9/2001	Wagner	D32/53.1
D450,413	S *	11/2001	Howard et al.	D34/1
D453,405	S *	2/2002	Howard	D34/1
D454,489	S *	3/2002	Enciso et al.	D9/761
D456,707	S *	5/2002	Agarwal	D9/717
6,412,653	B1 *	7/2002	Waterhouse	220/556
D463,977	S *	10/2002	Castellanos et al.	D9/761
D477,122	S *	7/2003	Howard	D34/1
D485,942	S *	1/2004	McLeish	D28/8.1
D489,579	S *	5/2004	Wright	D7/629
D490,567	S *	5/2004	McLeish	D28/8.1
D502,095	S *	2/2005	Tucker et al.	D9/425
D504,325	S *	4/2005	Vovan	D9/761
D505,335	S *	5/2005	Grenda	D9/737
D506,396	S *	6/2005	Raile	D9/756
D510,804	S *	10/2005	Horman	D3/304
D514,384	S *	2/2006	Mitchell et al.	D7/410
D527,626	S *	9/2006	Weiss et al.	D9/425
D529,820	S *	10/2006	Kissner et al.	D9/737
D529,821	S *	10/2006	Wilcox et al.	D9/761
D530,625	S *	10/2006	Darin	D9/761
D530,626	S *	10/2006	Tanja	D9/761
D531,054	S *	10/2006	Sagel	D9/737
D536,992	S *	2/2007	Garg et al.	D9/737
D549,456	S *	8/2007	Dretzka	D3/304
D549,457	S *	8/2007	Dretzka	D3/304
D560,492	S *	1/2008	Markowicz et al.	D9/721
D568,111	S *	5/2008	Epstein	D7/553.7
D569,193	S *	5/2008	El Ghouyel	D7/602
D571,655	S *	6/2008	Lovett	D9/737
D579,769	S *	11/2008	Lipinski et al.	D9/759
D580,789	S *	11/2008	Larson	D9/761
D581,266	S *	11/2008	Vovan	D9/429
D585,735	S *	2/2009	Vovan et al.	D9/426
D587,993	S *	3/2009	Vovan	D9/416
D590,596	S *	4/2009	Dretzka	D3/304
D591,174	S *	4/2009	Larson	D9/761
D591,175	S *	4/2009	Larson	D9/761
D592,497	S *	5/2009	Brown	D9/424
D595,154	S *	6/2009	Nicholson et al.	D9/737
D595,155	S *	6/2009	Larson	D9/761
7,549,551	B2 *	6/2009	Tyberghein	220/23.4
D596,903	S *	7/2009	Willis et al.	D7/553.2
D601,014	S *	9/2009	Petitjean	D9/426
D601,040	S *	9/2009	Vovan et al.	D9/760
D620,790	S *	8/2010	Lovett	D9/425
D621,651	S *	8/2010	Bryce et al.	D7/354
D621,718	S *	8/2010	Mehdizadeh	D9/707
D626,863	S *	11/2010	Lovett	D9/761
D627,221	S *	11/2010	Kovatch	D9/429
D629,702	S *	12/2010	Caldwell et al.	D9/756
D633,341	S *	3/2011	Smyers	D7/555
D643,311	S *	8/2011	Meyers	D9/761
D659,902	S *	5/2012	Mehdizadeh	D28/8.1
D688,572	S *	8/2013	Marin	D9/761
D693,178	S *	11/2013	Wilson	D7/553.2
D694,621	S *	12/2013	McCarthy et al.	D9/429
D696,907	S *	1/2014	Everingham et al.	D7/587
D712,283	S *	9/2014	Ehrmann	D9/761
D713,741	S *	9/2014	Wilmers	D9/761
2003/0230582	A1 *	12/2003	Whitmore et al.	220/507
2005/0124521	A1 *	6/2005	Sadlowski et al.	510/295
2007/0108089	A1 *	5/2007	Galluch	206/558
2009/0321292	A1 *	12/2009	Prudden et al.	206/354
2010/0065562	A1 *	3/2010	Vovan	220/23.4
2010/0183775	A1 *	7/2010	Cudnohoske	426/110

* cited by examiner

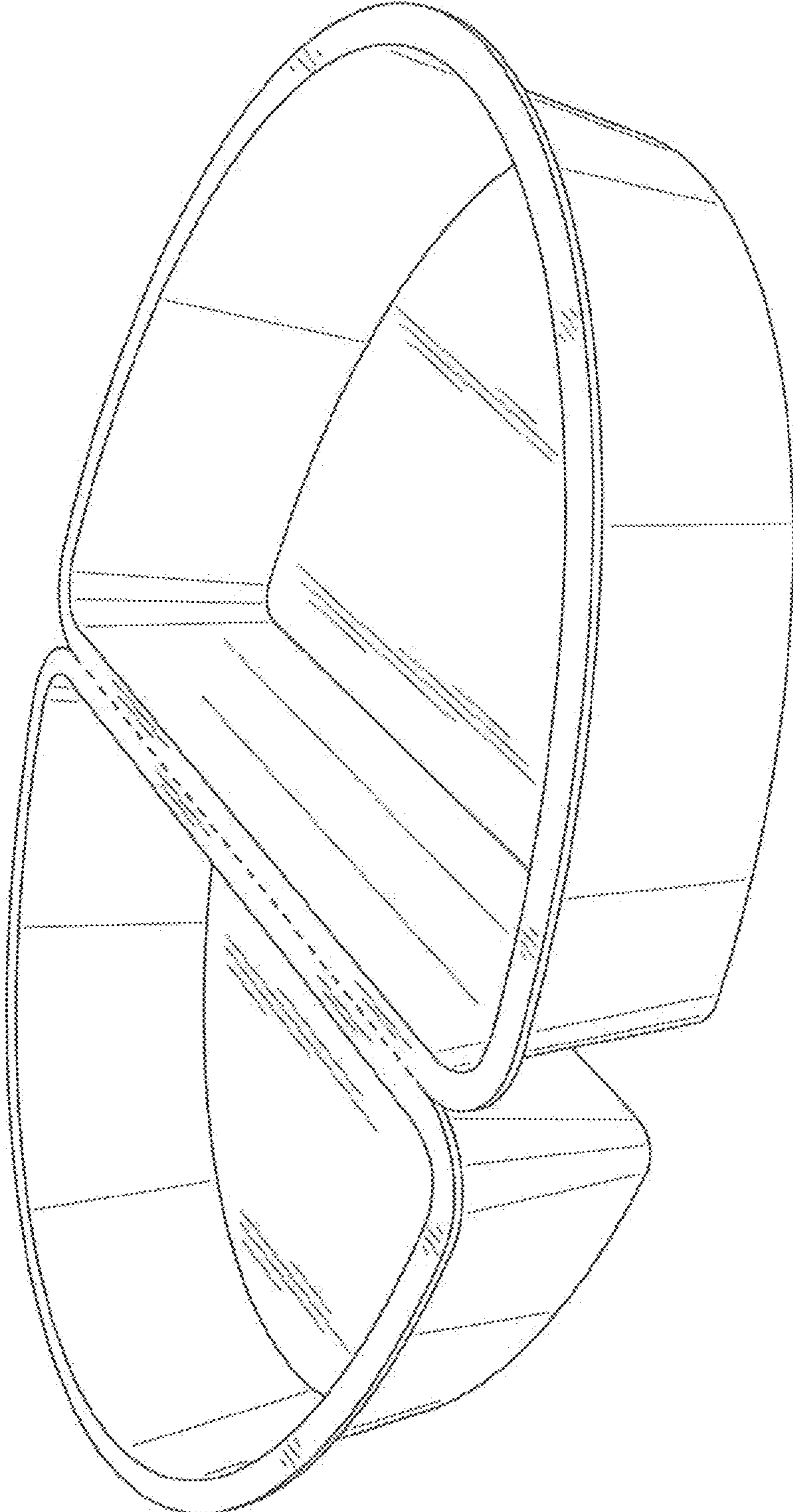


FIG.1

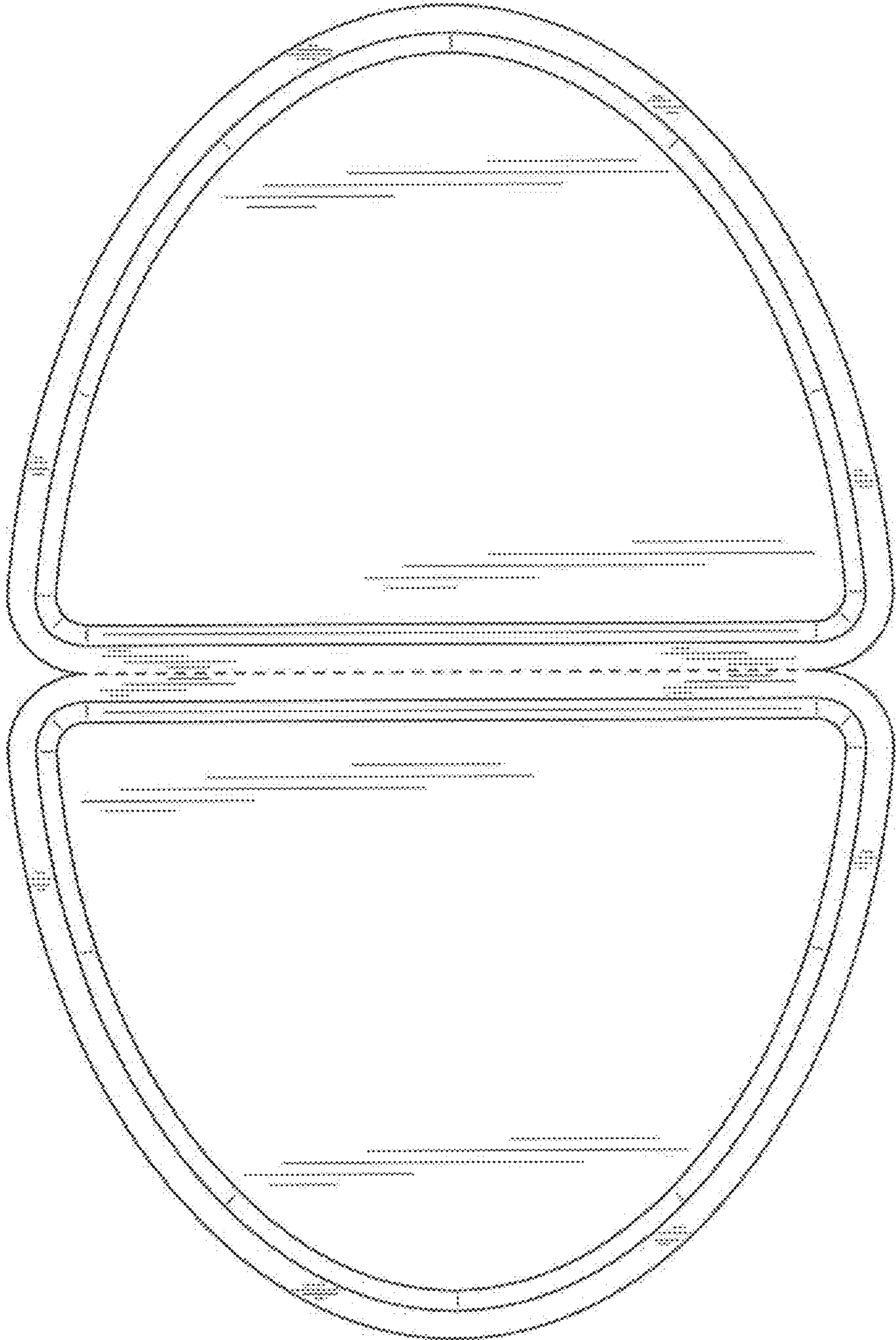


FIG.2

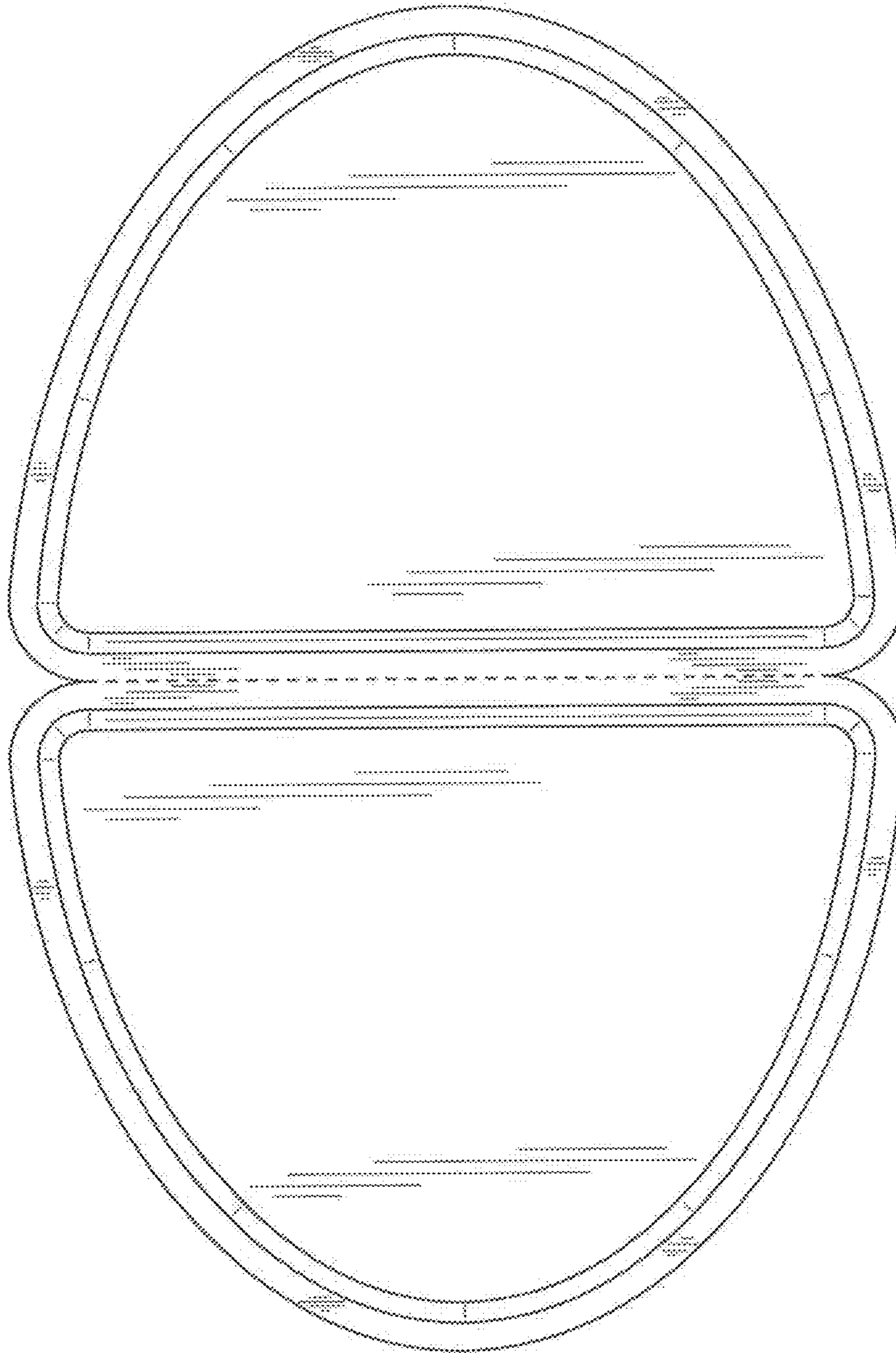


FIG. 3

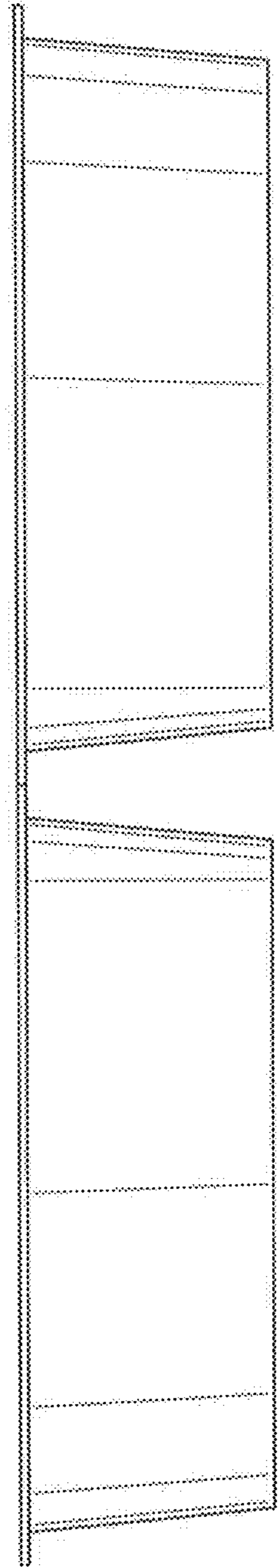


FIG. 4

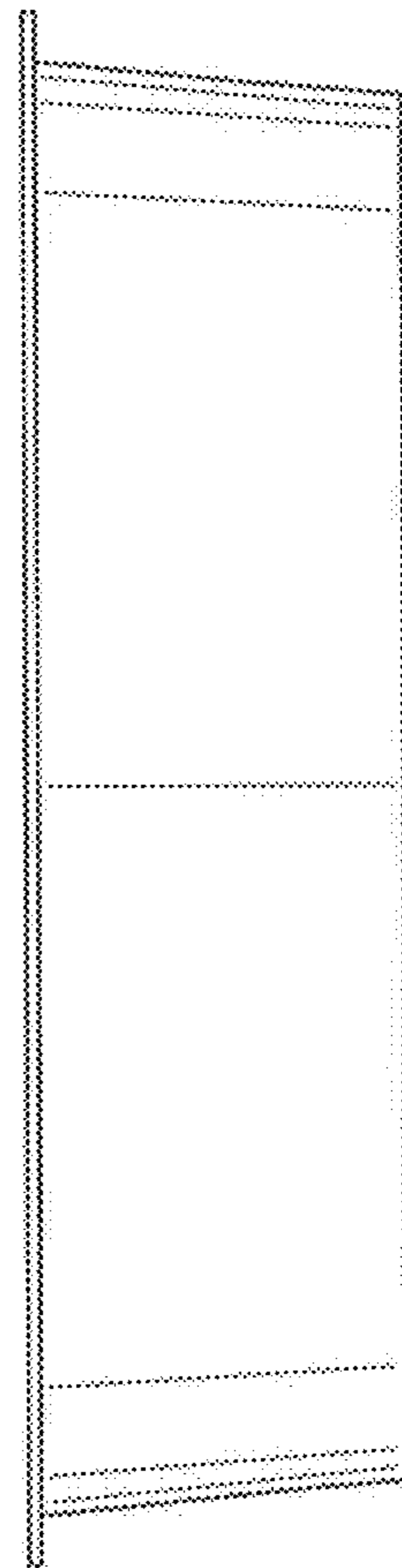


FIG. 5

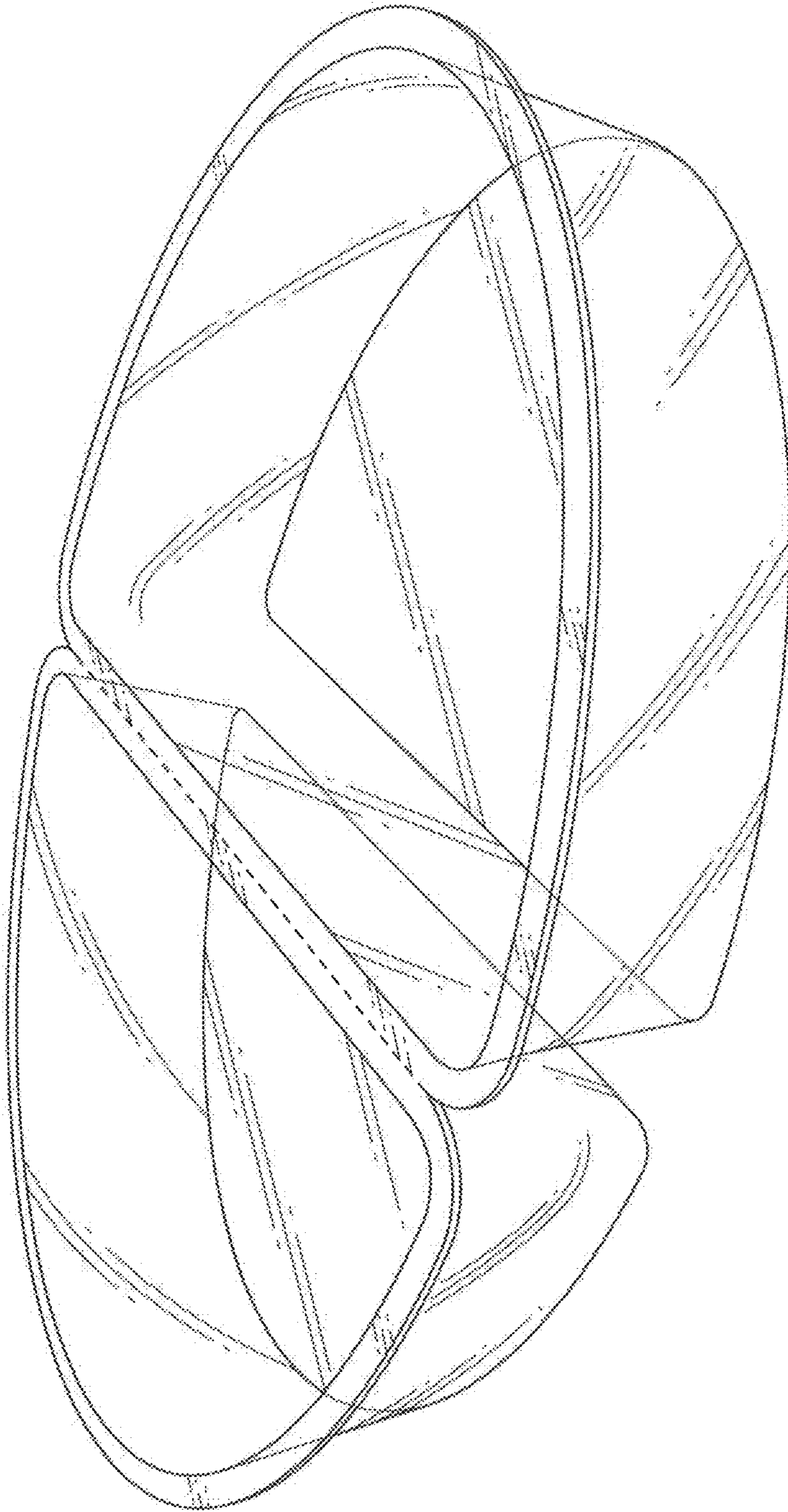


FIG.6

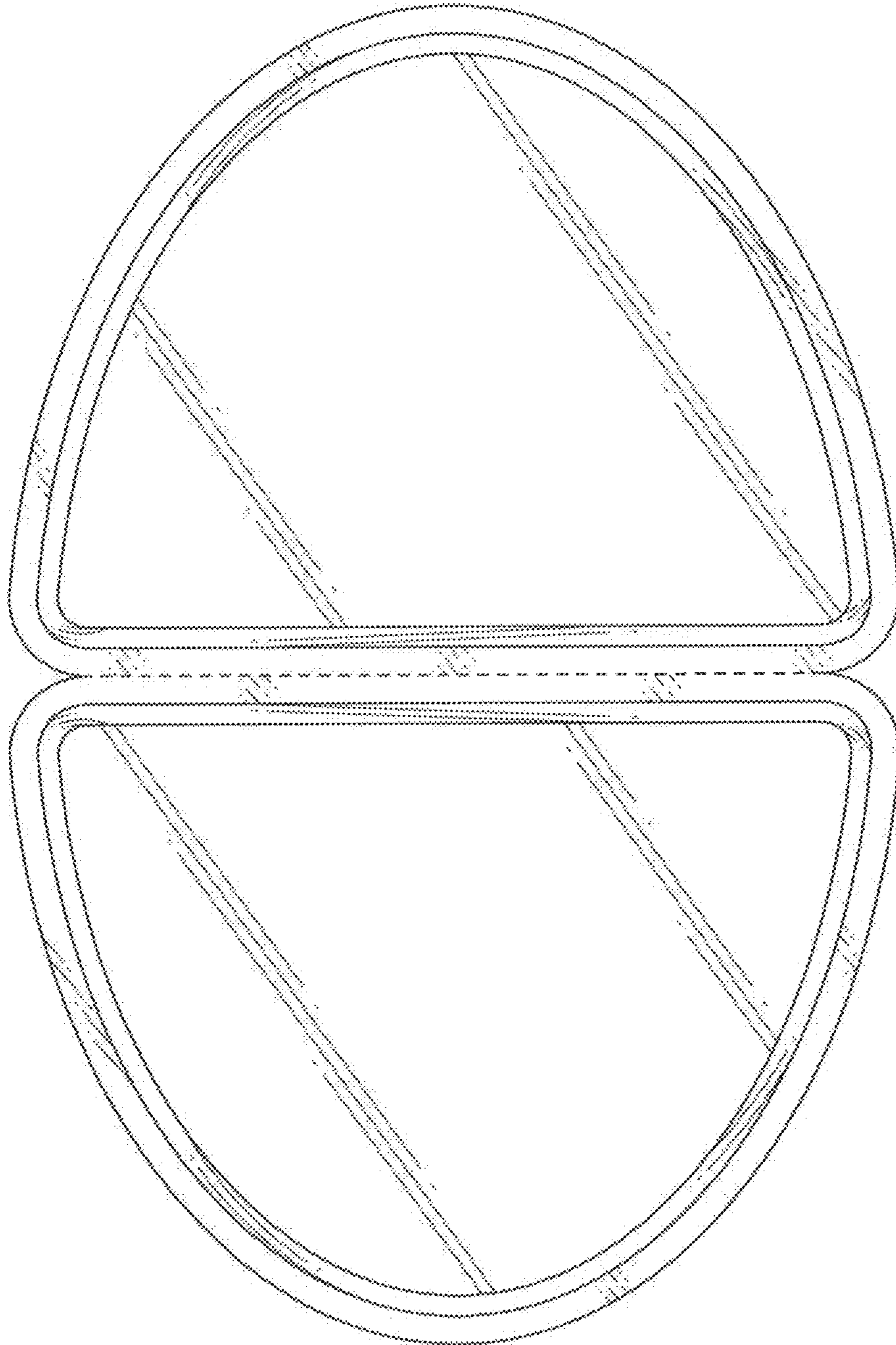


FIG.7

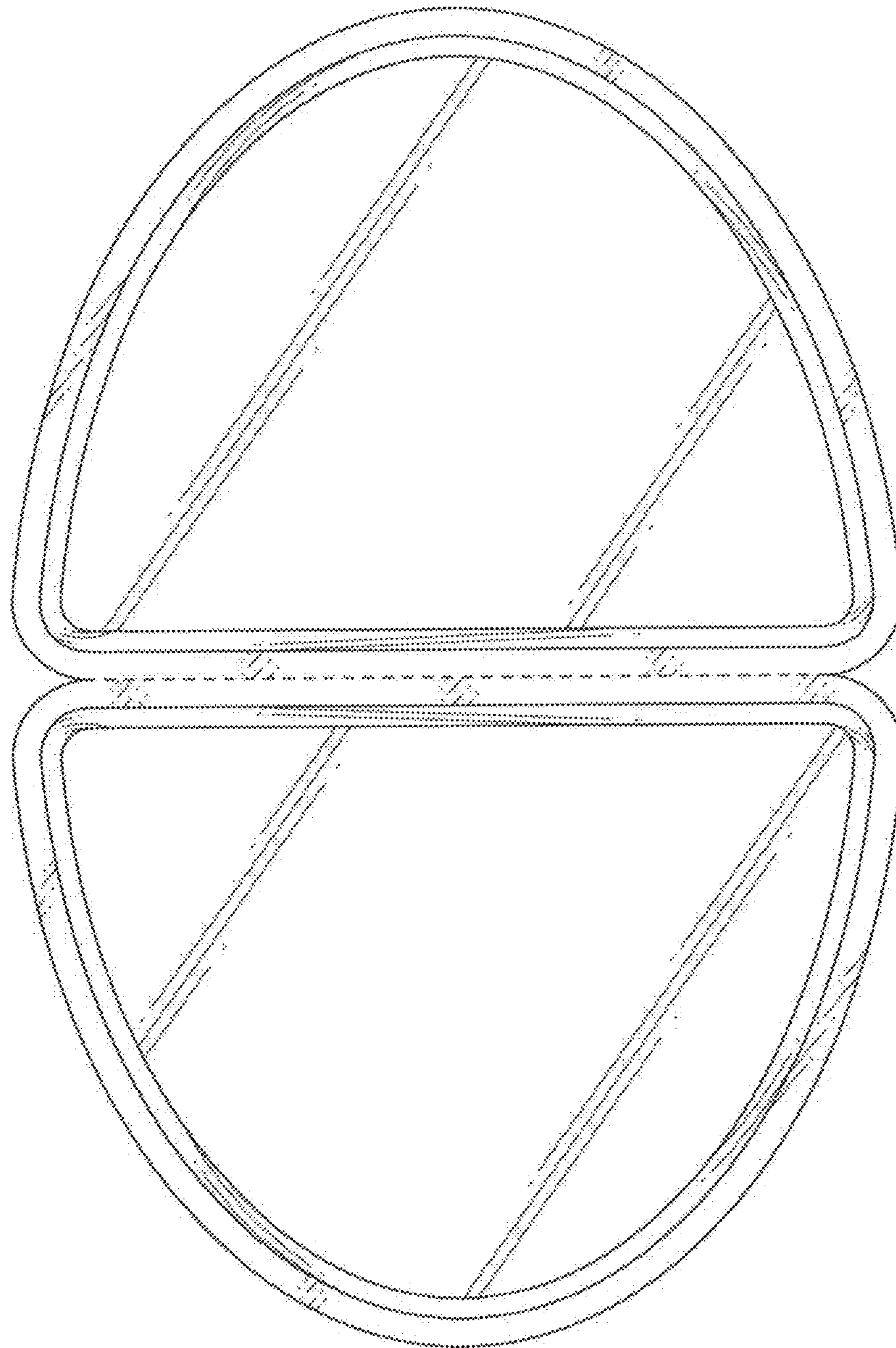


FIG. 8

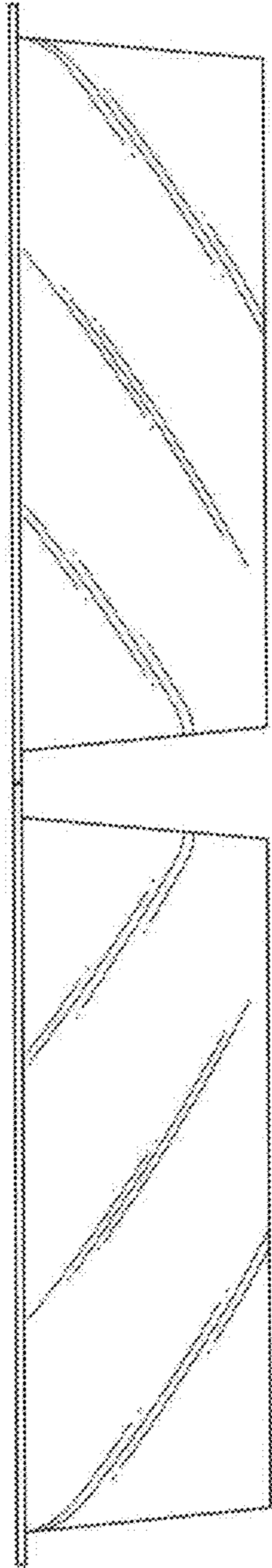


FIG. 9

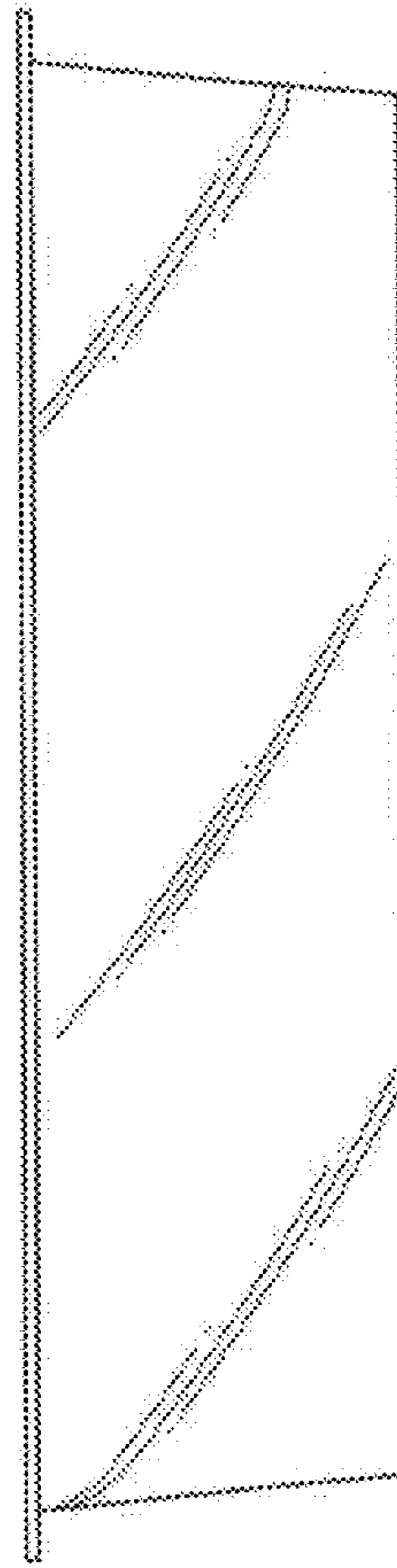


FIG. 10