



US00D750971S

(12) **United States Design Patent**  
**Takagiwa**

(10) **Patent No.:** **US D750,971 S**  
(45) **Date of Patent:** **\*\* Mar. 8, 2016**

(54) **INK PACK**

(71) Applicant: **BROTHER INDUSTRIES, LTD.**,  
Nagoya-shi, Aichi-ken (JP)

(72) Inventor: **Yutaka Takagiwa**, Kariya (JP)

(73) Assignee: **BROTHER INDUSTRIES, LTD.**,  
Nagoya (JP)

(\*\*) Term: **14 Years**

(21) Appl. No.: **29/508,511**

(22) Filed: **Nov. 7, 2014**

(30) **Foreign Application Priority Data**

May 14, 2014 (JP) ..... 2014-10296

(51) **LOC (10) CL.** ..... **09-05**

(52) **U.S. CL.**  
USPC ..... **D9/708; D18/56**

(58) **Field of Classification Search**

USPC ..... D9/702-714, 720-722, 414, 434-435,  
D9/447, 516-517, 440, 424, 430-432;  
D24/118, 207; 383/61.1, 80-81, 901,  
383/203, 107, 119-120, 123, 67; 222/107,  
222/92, 206, 215; 604/408, 403;  
220/495.03, 675; 215/381-385, 400;  
347/85, 88, 84, 214; D3/202; 428/34.3;  
128/DIG. 24; 426/106; D18/43, 56  
CPC .... B65D 1/0223; B65D 79/005; B65D 39/00;  
B65D 39/08; B65D 39/0005; B65D 83/0055;  
B65D 83/00; B65D 83/14; A61J 1/00; A61J  
1/10

See application file for complete search history.

(56) **References Cited**

**U.S. PATENT DOCUMENTS**

D341,157 S \* 11/1993 Kitahara et al. .... D18/56  
D439,328 S \* 3/2001 Nielsen ..... D24/118

(Continued)

*Primary Examiner* — Caron D Veynar  
*Assistant Examiner* — Abraham Bahta  
(74) *Attorney, Agent, or Firm* — Oliff PLC

(57) **CLAIM**

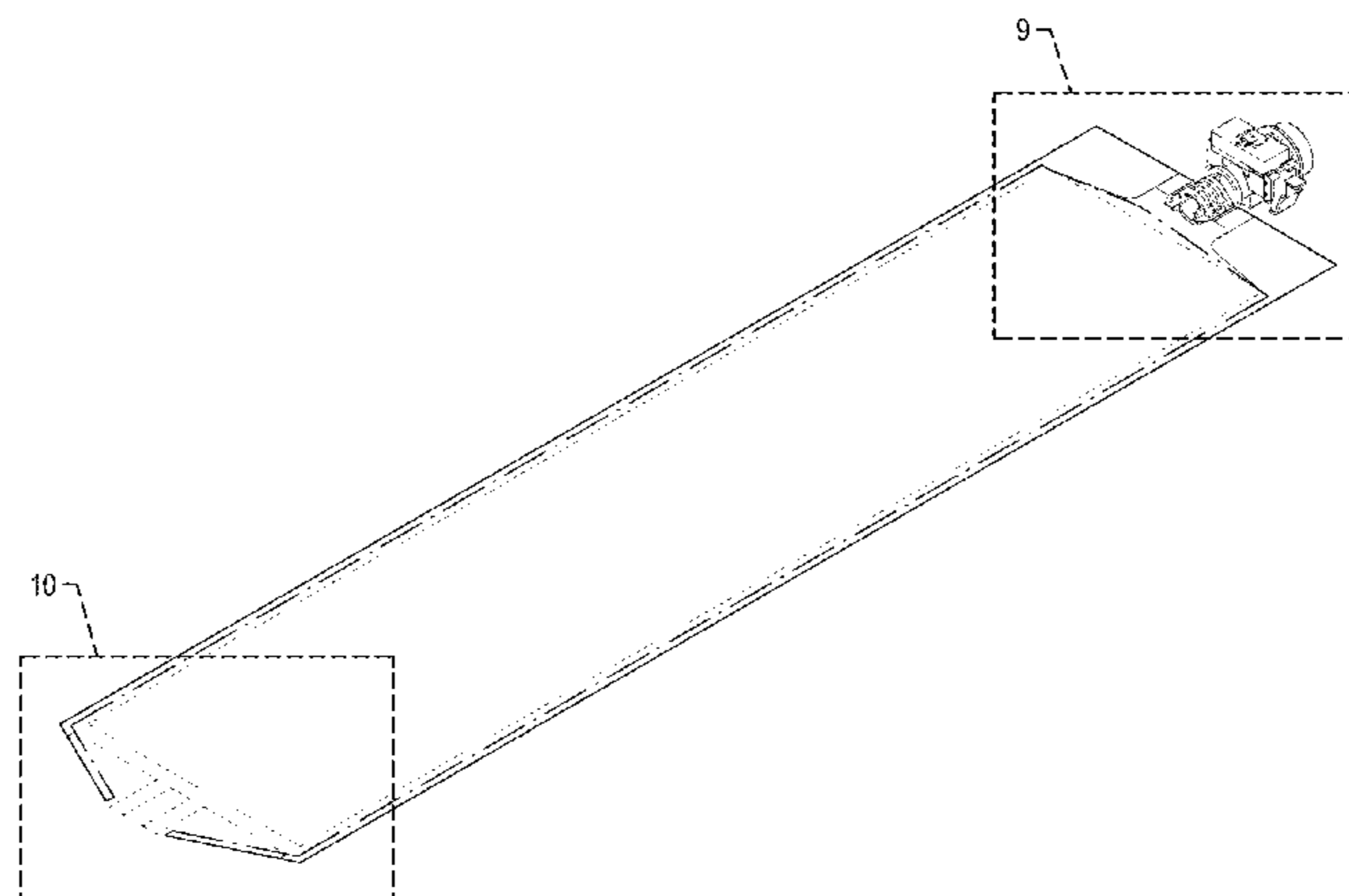
The ornamental design for an ink pack, as shown and described.

**DESCRIPTION**

FIG. 1 is a top, front, left-side perspective view of an ink pack;  
FIG. 2 is a front view thereof;  
FIG. 3 is a top view thereof;  
FIG. 4 is a right-side view thereof;  
FIG. 5 is a left-side view thereof;  
FIG. 6 is a rear view thereof;  
FIG. 7 is a bottom view thereof;  
FIG. 8 is a top, rear, right-side perspective view thereof;  
FIG. 9 is an enlarged view of a portion of FIG. 1 within box  
“9;”  
FIG. 10 is an enlarged view of a portion of FIG. 1 within box  
“10;”  
FIG. 11 is an enlarged view of a portion of FIG. 2 within box  
“11;”  
FIG. 12 is an enlarged view of a portion of FIG. 3 within box  
“12;”  
FIG. 13 is an enlarged view of FIG. 4;  
FIG. 14 is an enlarged view of FIG. 5;  
FIG. 15 is an enlarged view of a portion of FIG. 6 within box  
“15;”  
FIG. 16 is an enlarged view of a portion of FIG. 7 within box  
“16;”  
FIG. 17 is an enlarged view of a portion of FIG. 8 within box  
“17;” and,  
FIG. 18 is an enlarged view of a portion of FIG. 8 within box  
“18.”

The broken lines depict unclaimed portions only and form no part of the claimed design. The dot-dash lines depict a boundary between claimed and unclaimed subject matter, and form no part of the claimed design. The broken lines forming boxes around certain portions of FIGS. 1-3 and 6-8 indicate portions to be shown in enlarged views, and form no part of the claimed design.

**1 Claim, 12 Drawing Sheets**



# US D750,971 S

Page 2

---

(56)

## References Cited

### U.S. PATENT DOCUMENTS

D451,542 S \* 12/2001 Ishizawa et al. .... D18/56  
D523,899 S \* 6/2006 Holland et al. .... D18/56  
D570,405 S \* 6/2008 Otsuka et al. .... D18/56

D572,751 S \* 7/2008 Morino ..... D18/56  
D584,350 S \* 1/2009 Morino ..... D18/56  
D607,508 S \* 1/2010 Domae ..... D18/56  
D722,642 S \* 2/2015 Wada et al. .... D18/56  
D723,938 S \* 3/2015 Karasawa et al. .... D9/708

\* cited by examiner

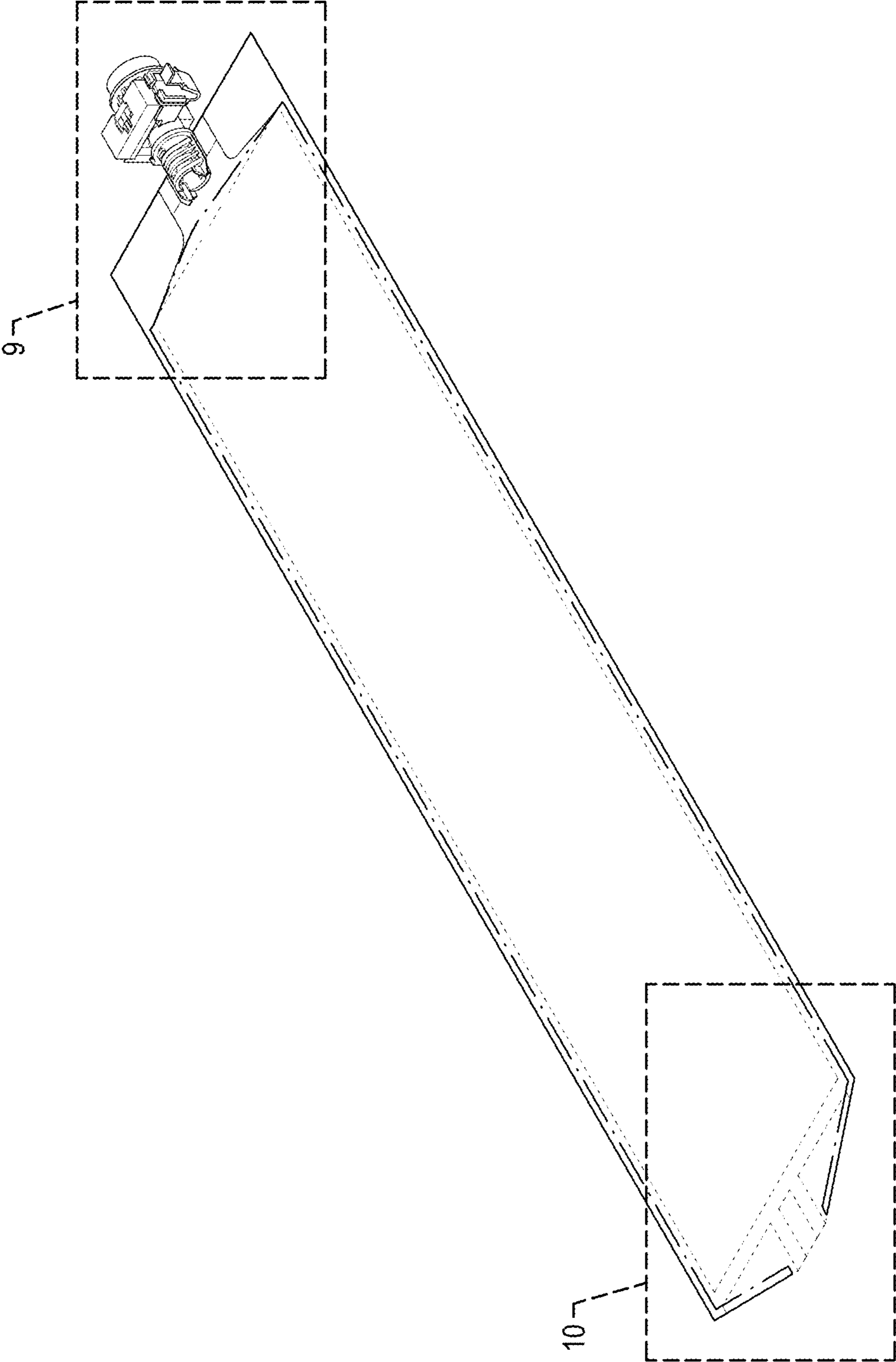


FIG. 1

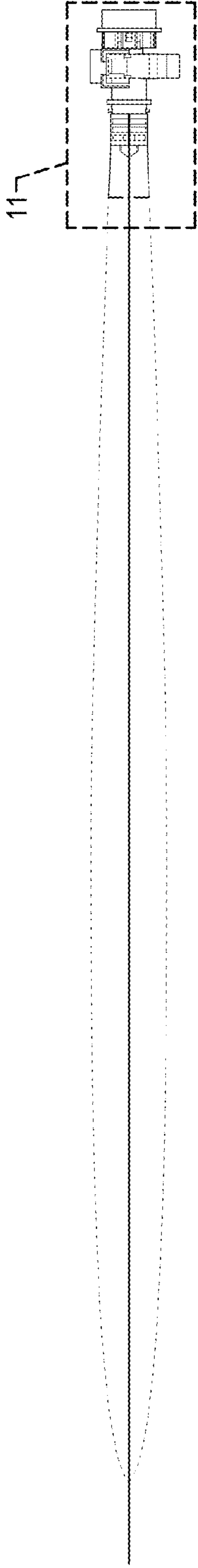


FIG. 2

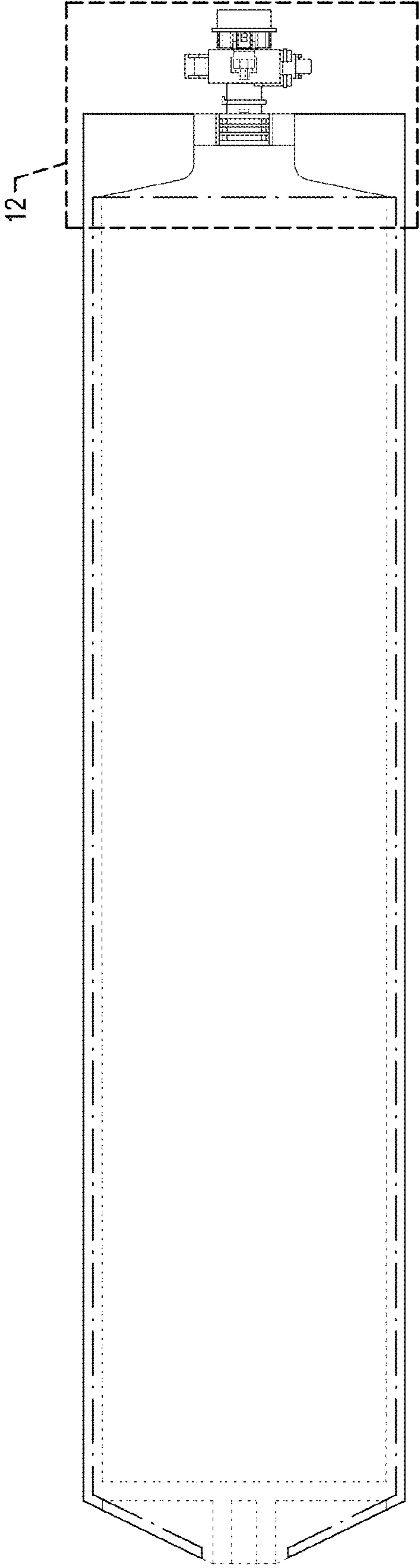


FIG. 3

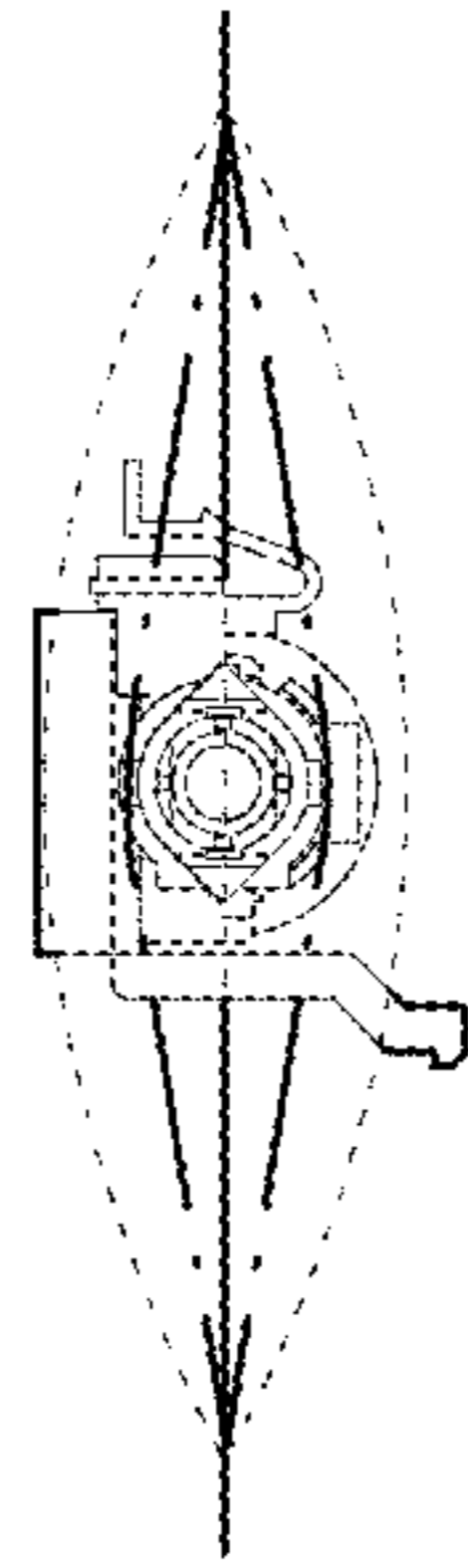


FIG. 5

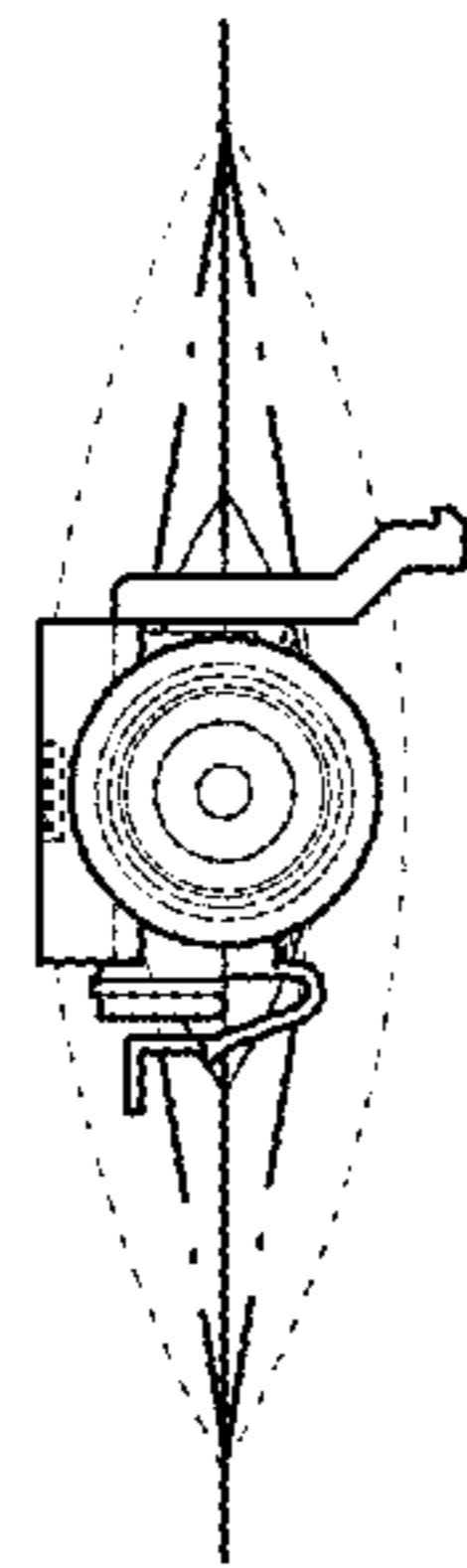


FIG. 4

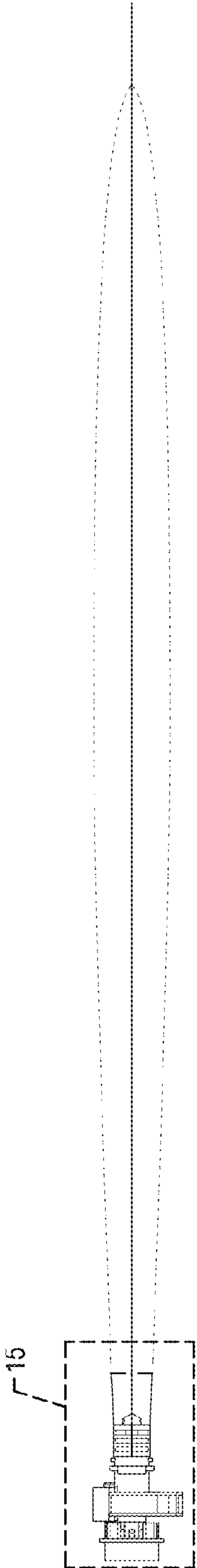


FIG. 6

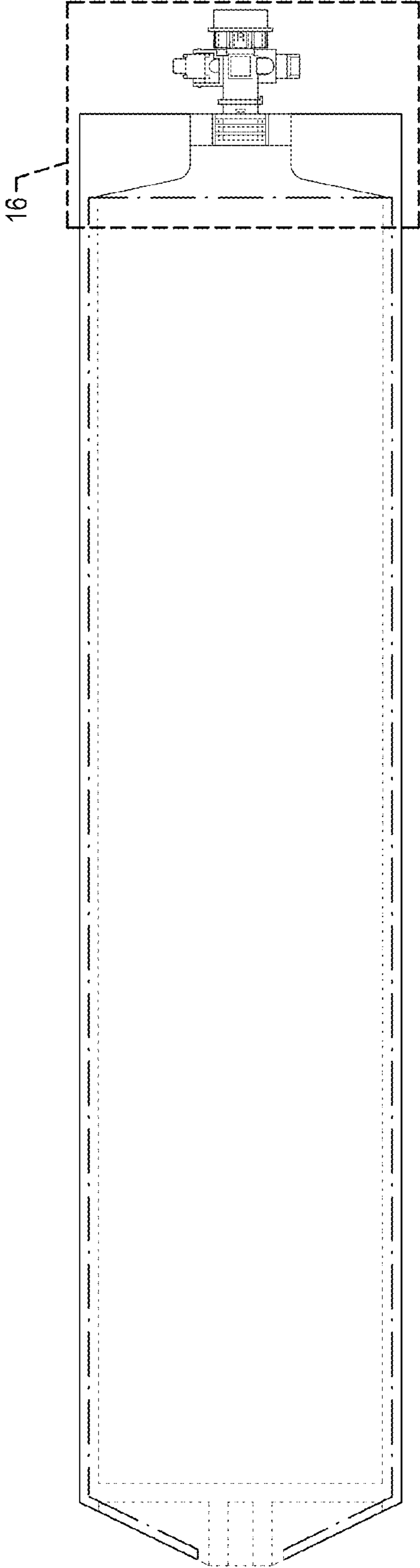


FIG. 7

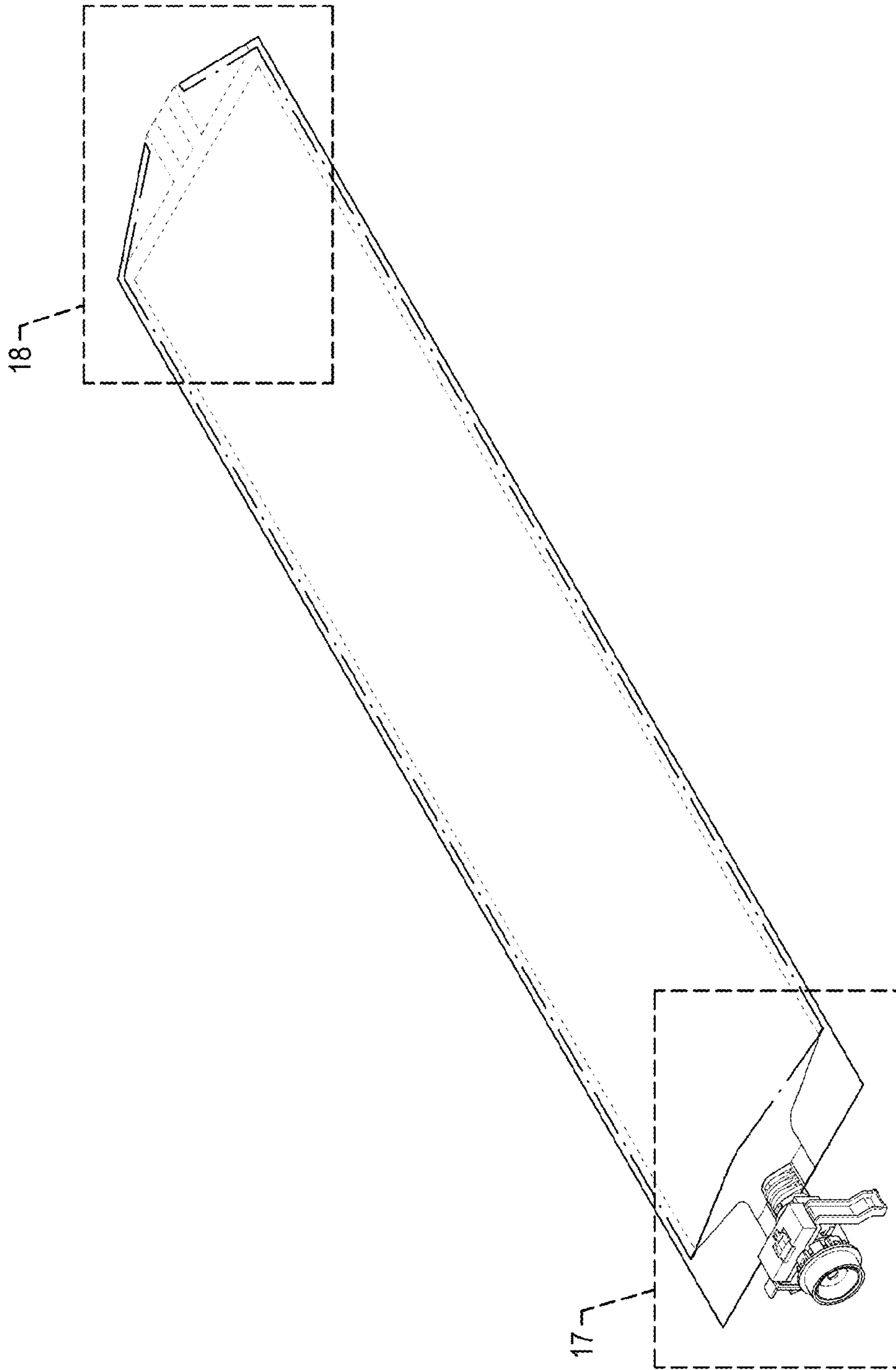


FIG. 8

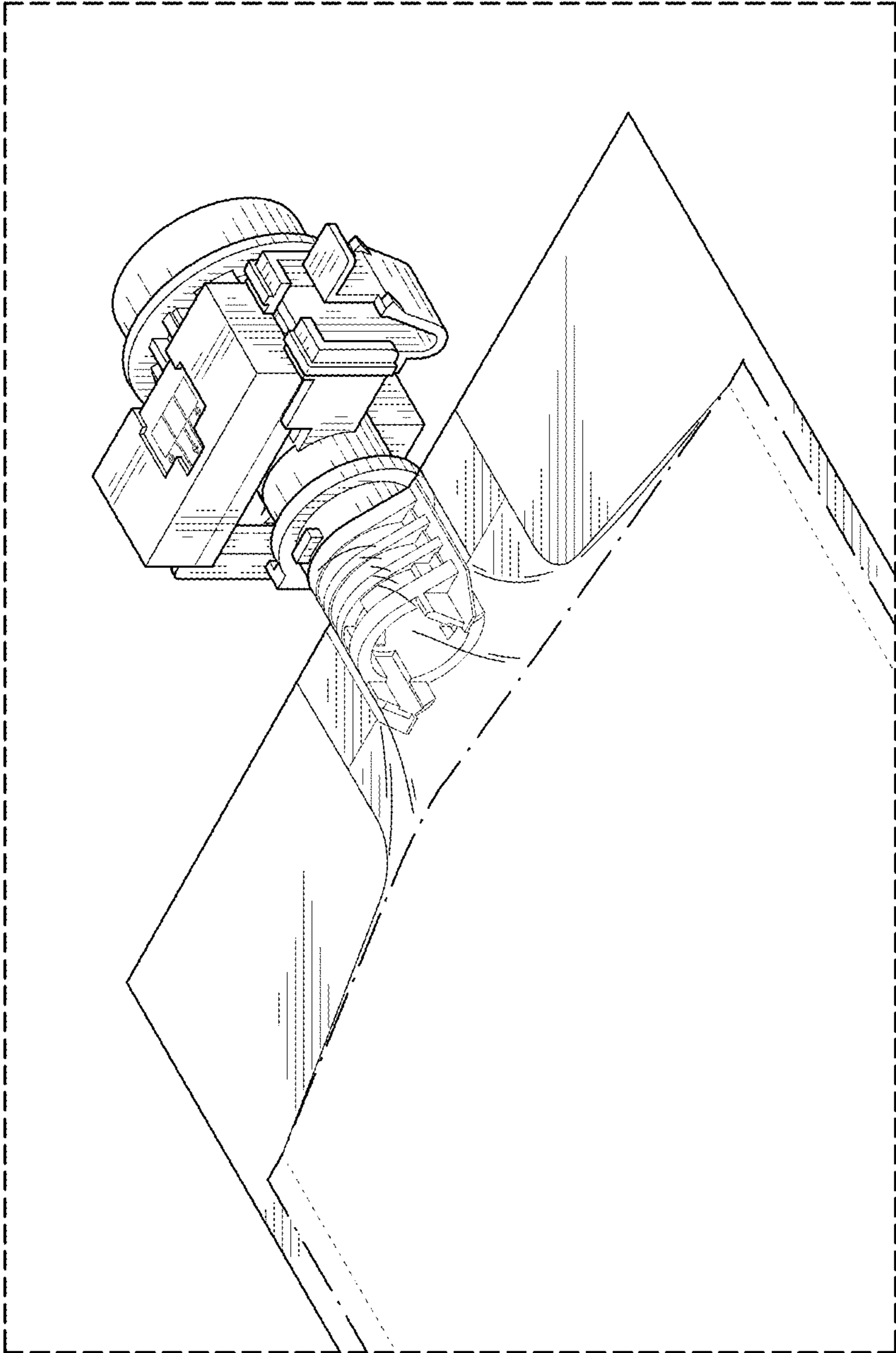


FIG. 9



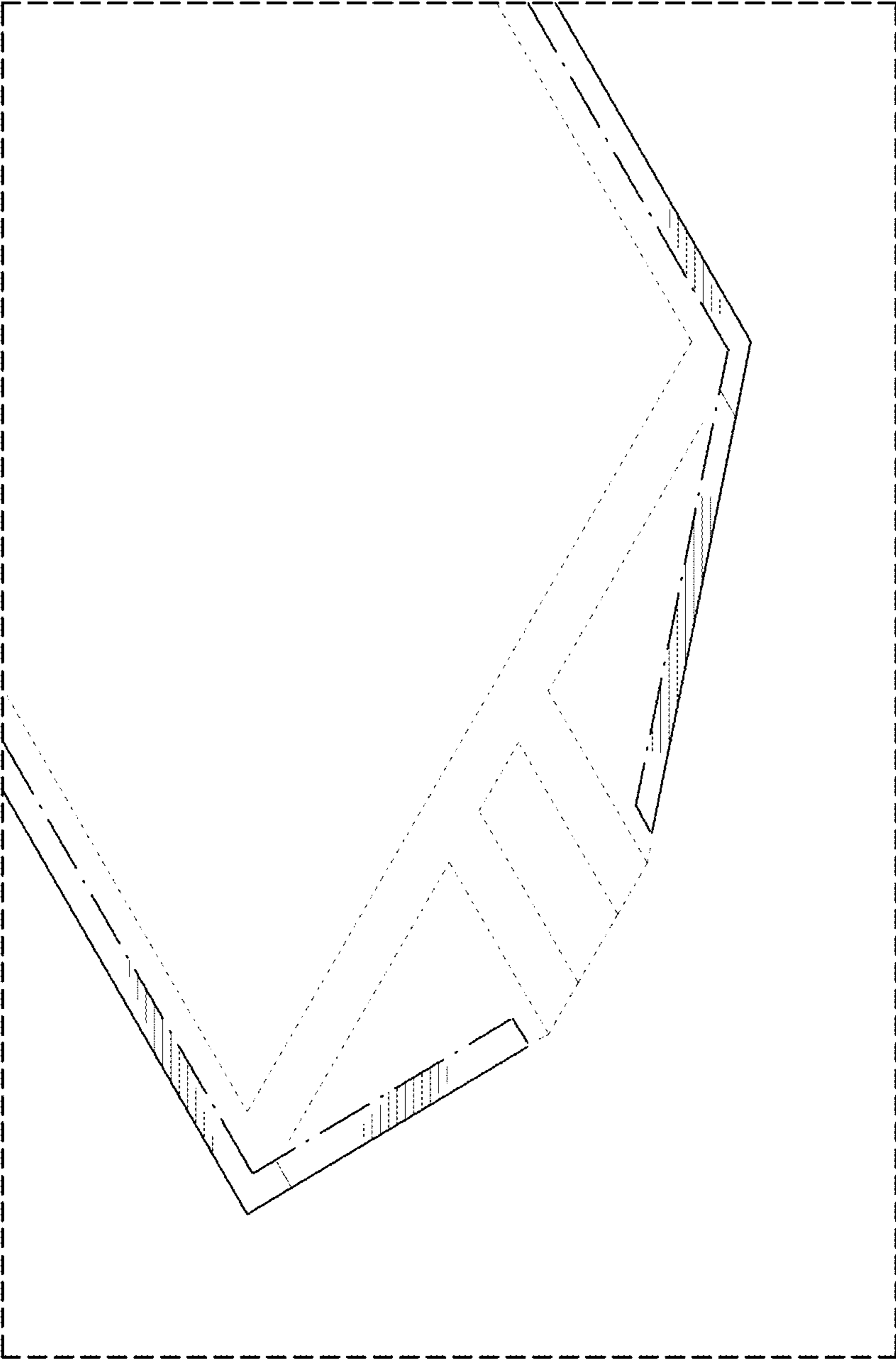


FIG. 10

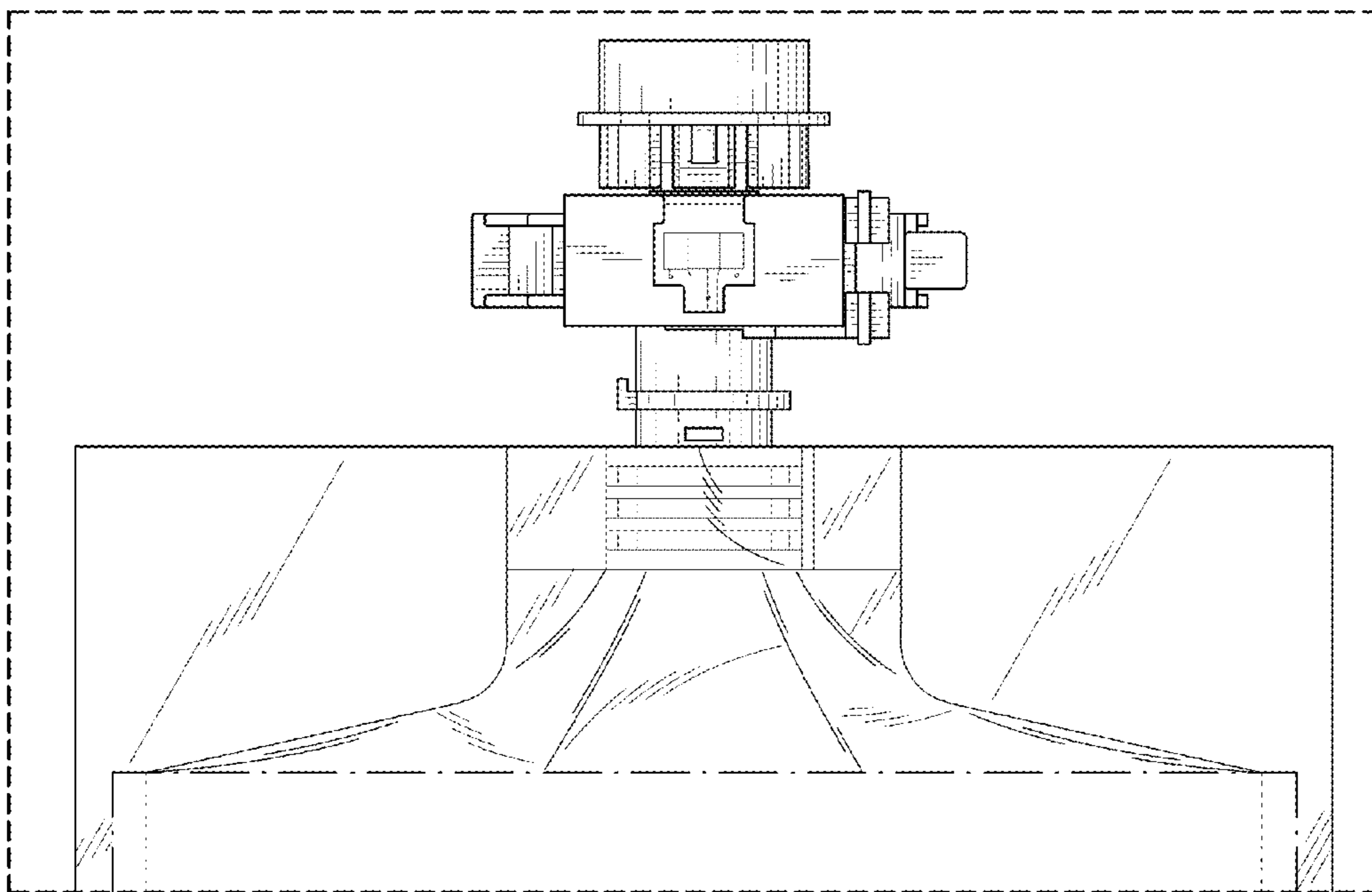


FIG. 12

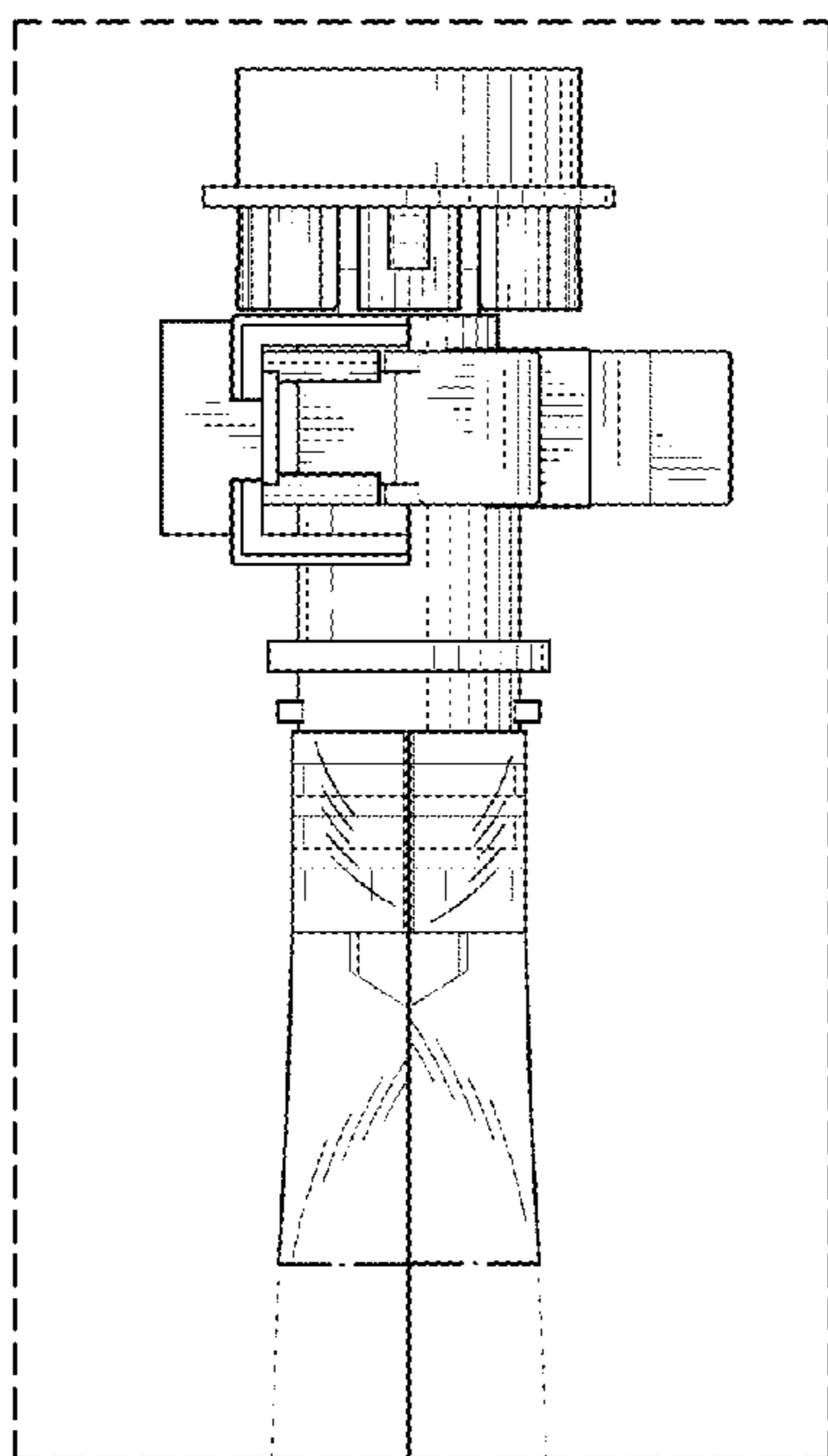


FIG. 11

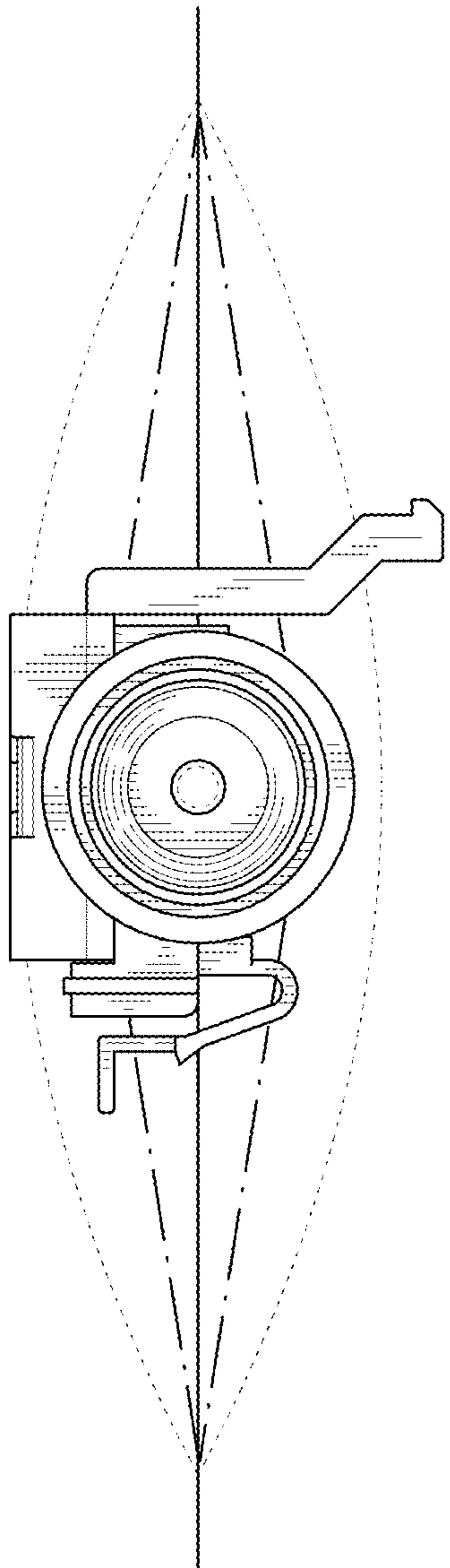


FIG. 13

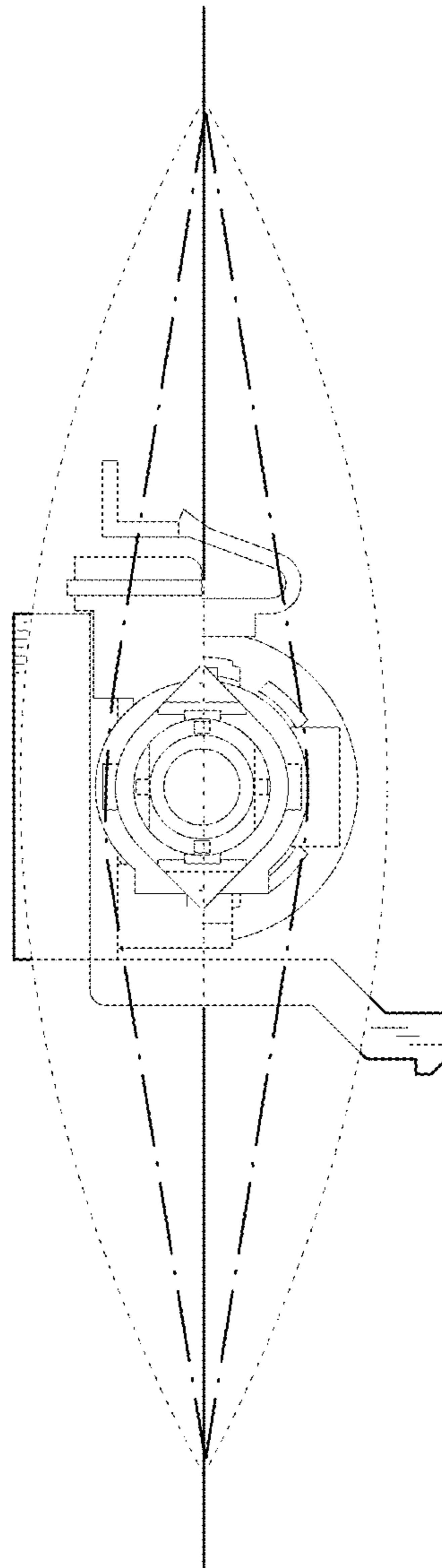


FIG. 14

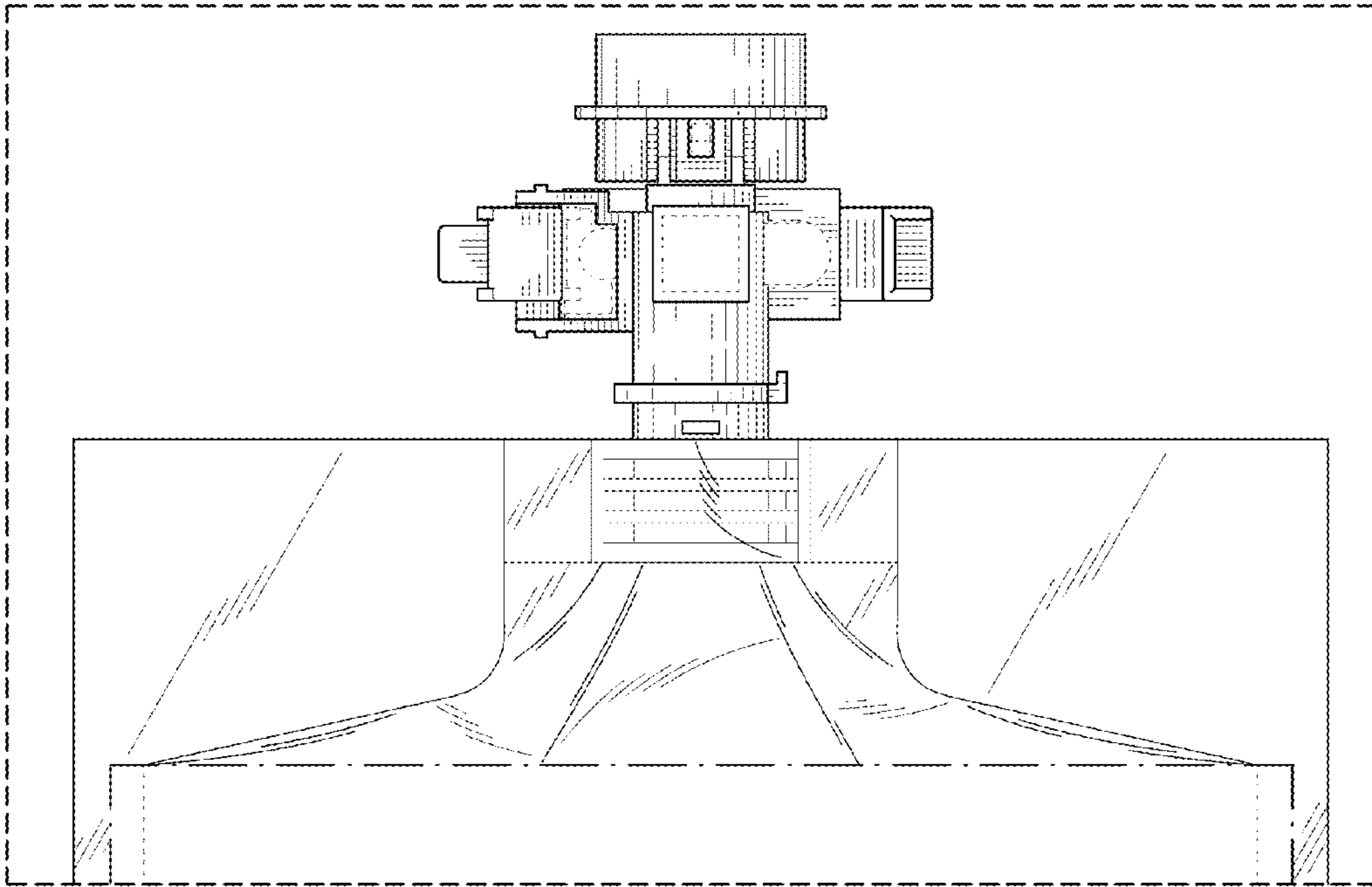


FIG. 16

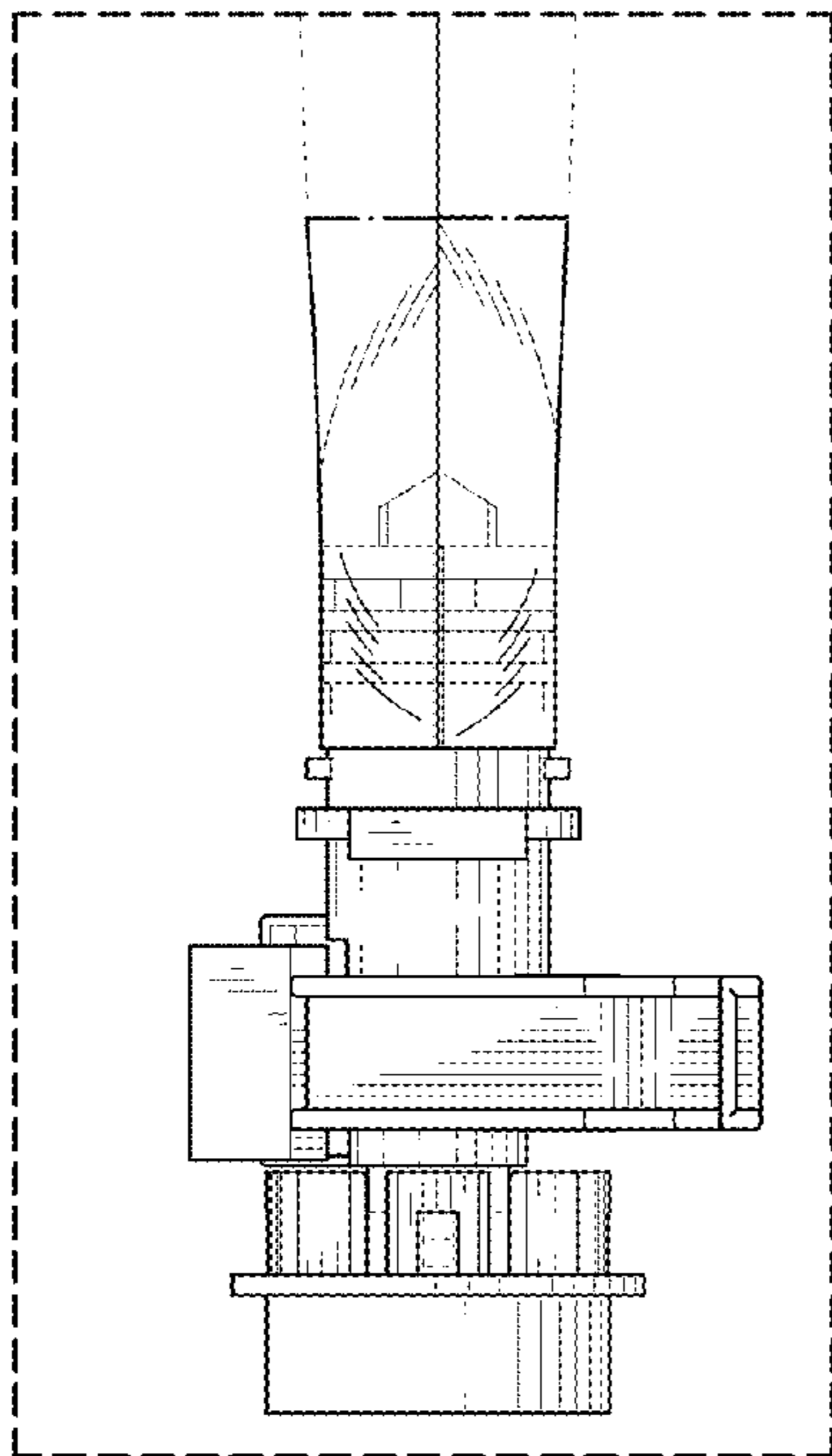


FIG. 15

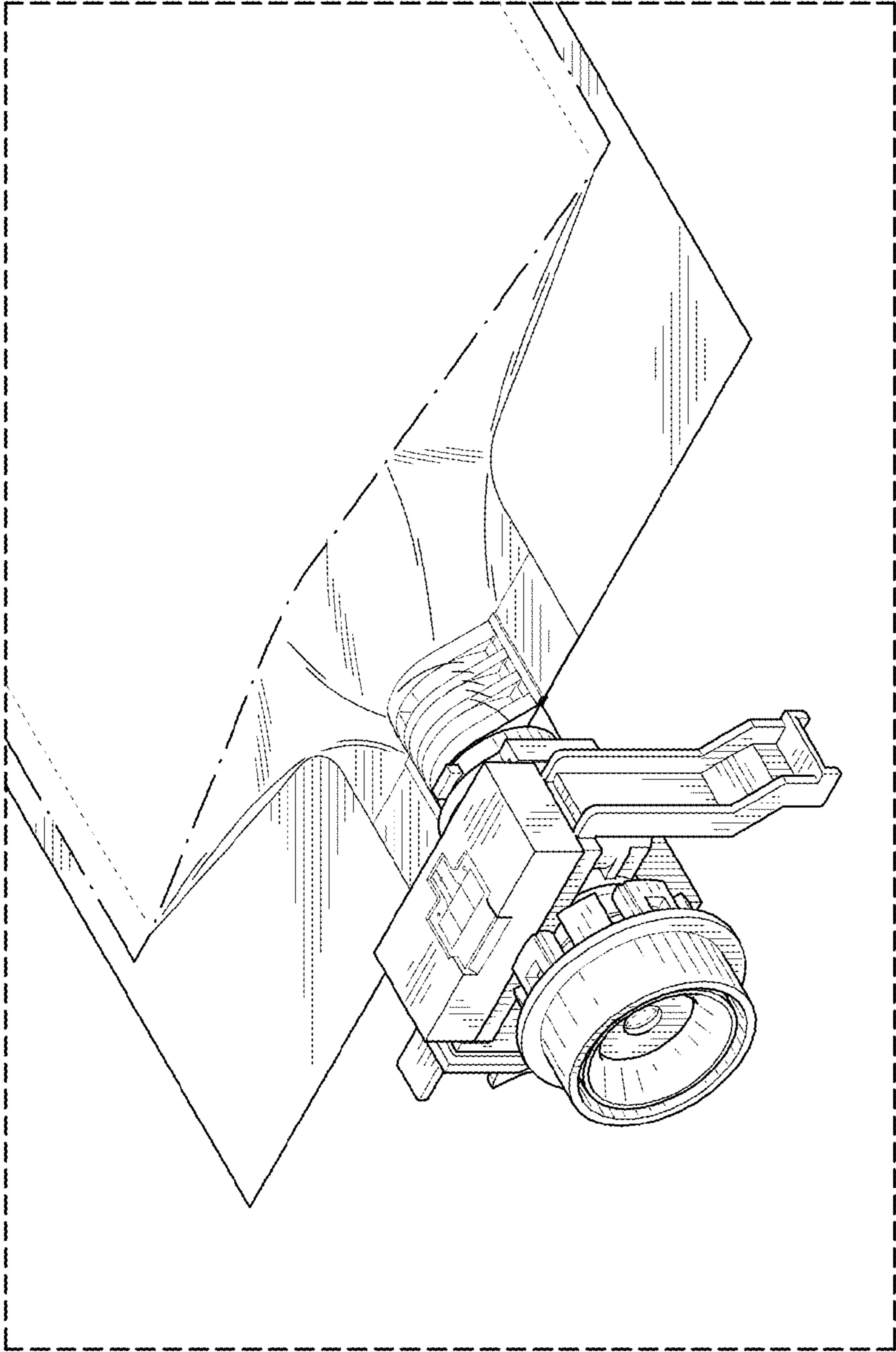


FIG. 17

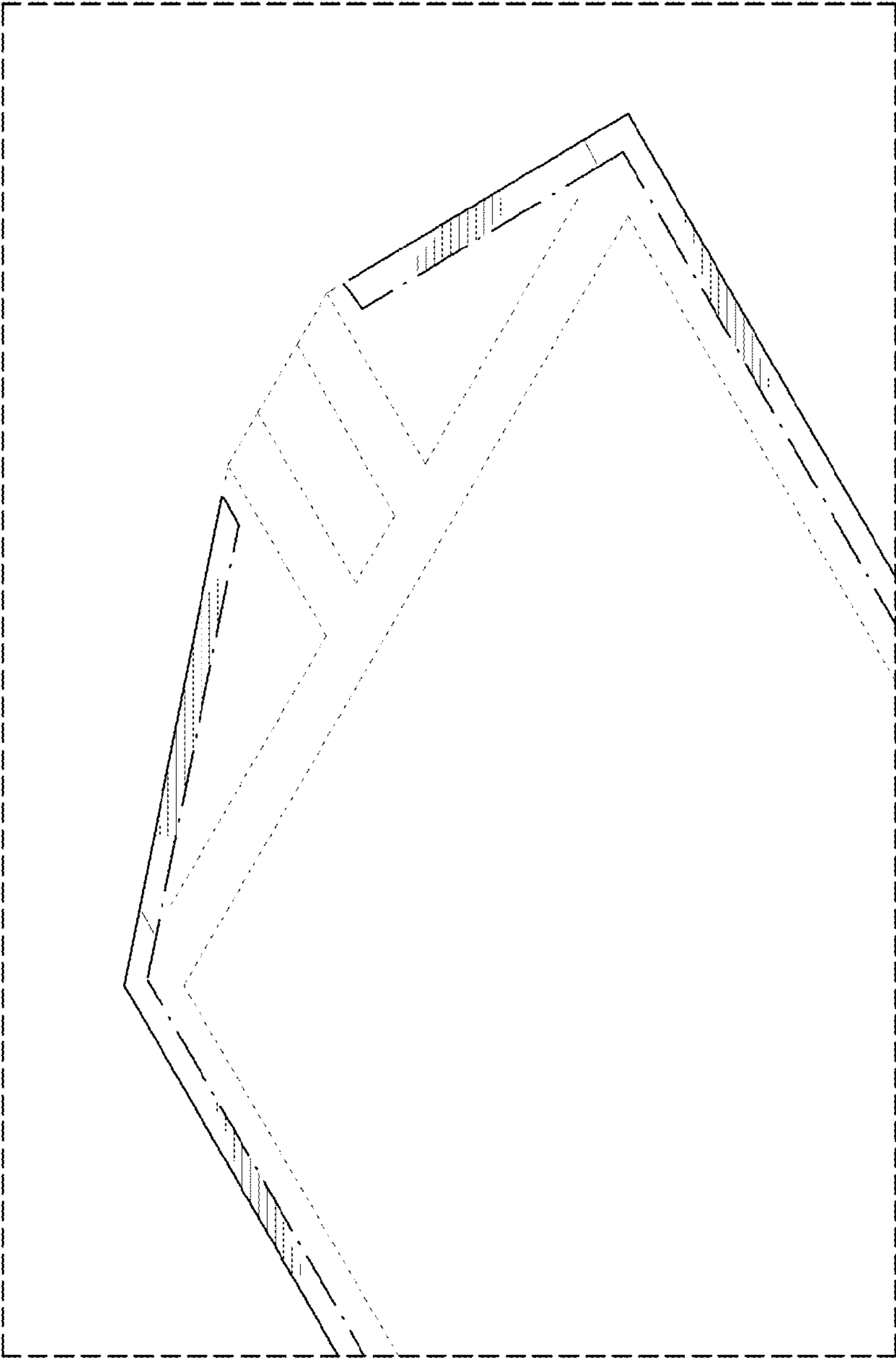


FIG. 18