



US00D750970S

(12) **United States Design Patent**
Moreno

(10) **Patent No.:** **US D750,970 S**
(45) **Date of Patent:** **** Mar. 8, 2016**

(54) **DISPLAY STRUCTURE**

(71) Applicant: **PRICE RES, S.A. DE C.V.**, Cancun,
Quintana Roo (MX)

(72) Inventor: **Noe Vazquez Moreno**, Mexico City
(MX)

(73) Assignee: **PRICE RES, S.A. DE C.V.**, Cancun,
Quintana Roo (MX)

(**) Term: **14 Years**

(21) Appl. No.: **29/469,419**

(22) Filed: **Oct. 10, 2013**

Related U.S. Application Data

(62) Division of application No. 29/406,396, filed on Nov.
14, 2011.

(30) **Foreign Application Priority Data**

Sep. 13, 2011 (MX) MX/f/2011/003030

(51) **LOC (10) Cl.** **06-04**

(52) **U.S. Cl.**
USPC **D9/664**

(58) **Field of Classification Search**

USPC D6/318, 320, 363, 397, 436, 641, 650,
D6/663, 664, 668, 667, 668.1, 672, 680.1,
D6/691.4, 691.5, 699.1; D14/307;
D21/493, 494, 506, 524; D24/177,
D24/185; D25/1-35; 52/36.2; 312/140.2

CPC A47F 1/00; A47F 9/00

See application file for complete search history.

(56) **References Cited**

U.S. PATENT DOCUMENTS

D244,073	S	*	4/1977	Urbaniec et al.	D6/397
4,471,586	A	*	9/1984	Shuch et al.	52/36.2
D277,698	S	*	2/1985	Newman	D24/177
D366,292	S	*	1/1996	Monneret	D21/524
D382,975	S	*	8/1997	Bolton	D25/16
D391,615	S	*	3/1998	Wilgus	D21/506
D440,319	S	*	4/2001	Horton	D25/16
D459,911	S	*	7/2002	Grosfillex	D6/436
D461,907	S	*	8/2002	Bain et al.	D14/307
D463,571	S	*	9/2002	Cohn	D25/16
D556,340	S	*	11/2007	Jackson et al.	D25/16
D613,344	S	*	4/2010	Hradisky	D21/524
2014/0306584	A1	*	10/2014	DeMars	312/140.2

FOREIGN PATENT DOCUMENTS

KR 300658570.0000 * 9/2012

* cited by examiner

Primary Examiner — Thomas Johannes

Assistant Examiner — Catherine Posthauer

(74) *Attorney, Agent, or Firm* — Fraser Clemens Martin &
Miller LLC; James D. Miller

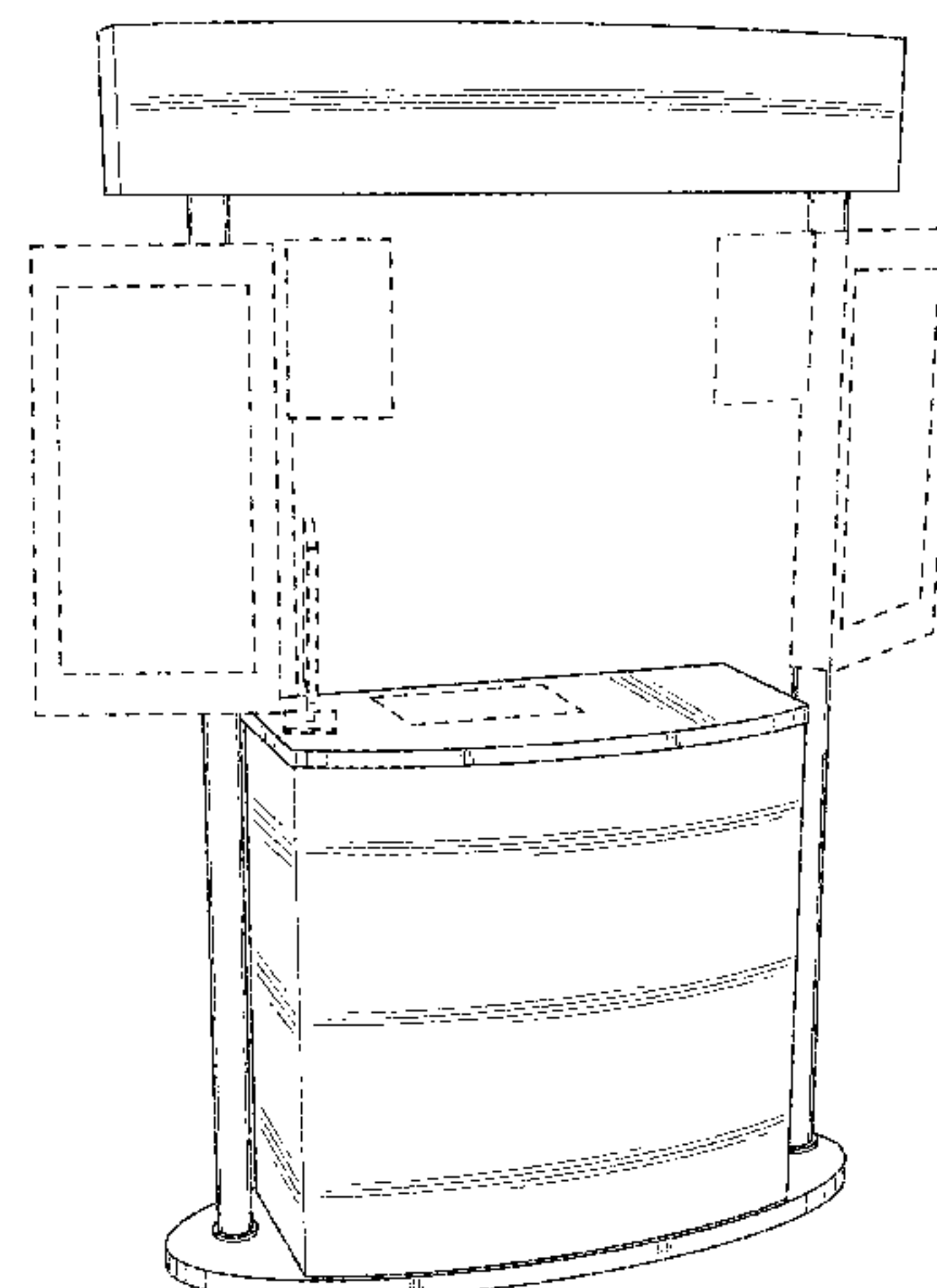
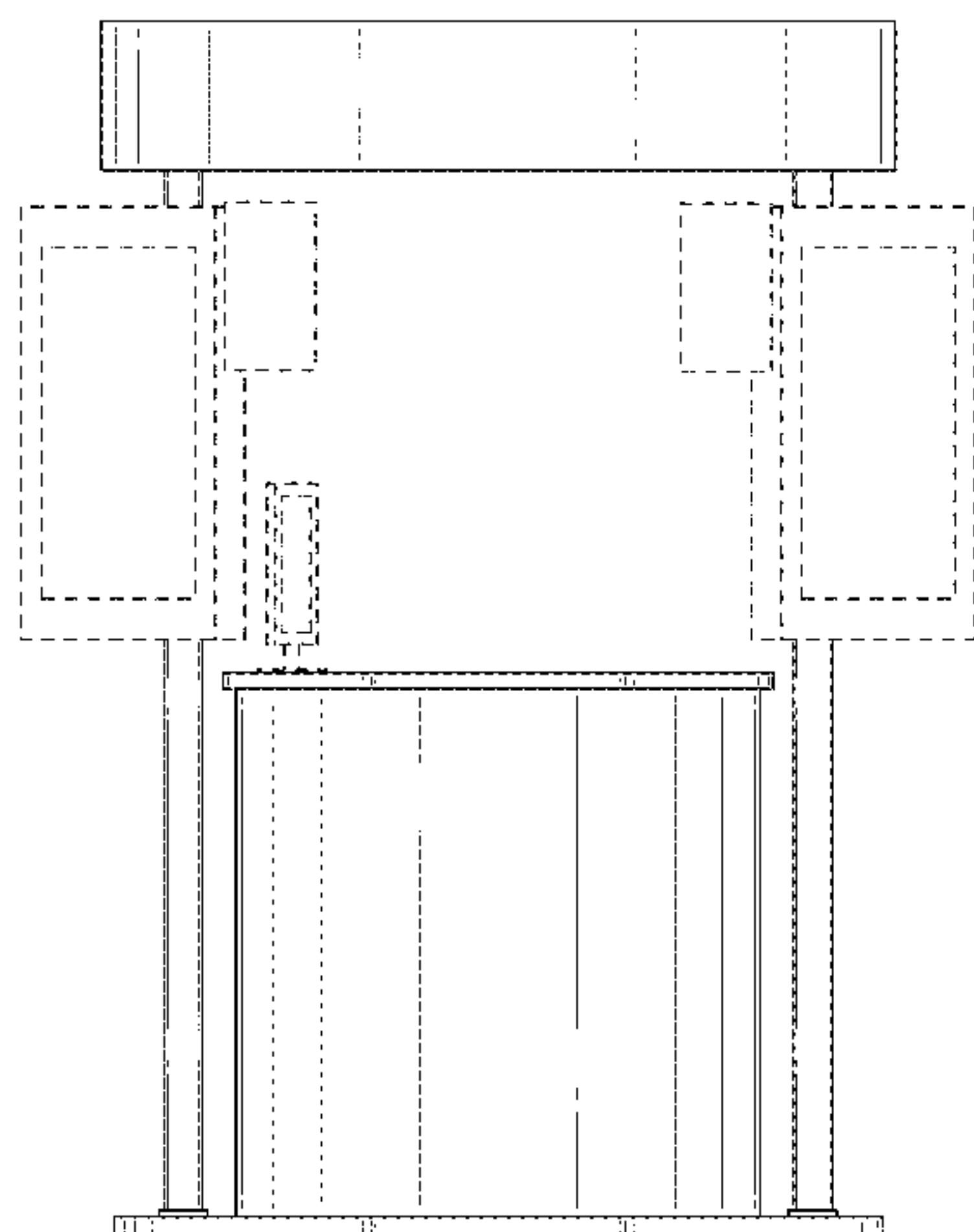
(57) **CLAIM**

The ornamental design for the display structure, as shown and
described.

DESCRIPTION

FIG. 1 is a front view of the display structure.
FIG. 2 is a left side view of the display structure.
FIG. 3 is a right side view of the display structure.
FIG. 4 is a rear view of the display structure.
FIG. 5 is a top view of the display structure; and,
FIG. 6 is a perspective view of the display structure.
The shadow of the lines in the figures shows the contour and
not the ornamentation on the surface.
The broken lines are shown for the purpose of illustrating
parts of the display structure that form no part of the claimed
design.

1 Claim, 6 Drawing Sheets



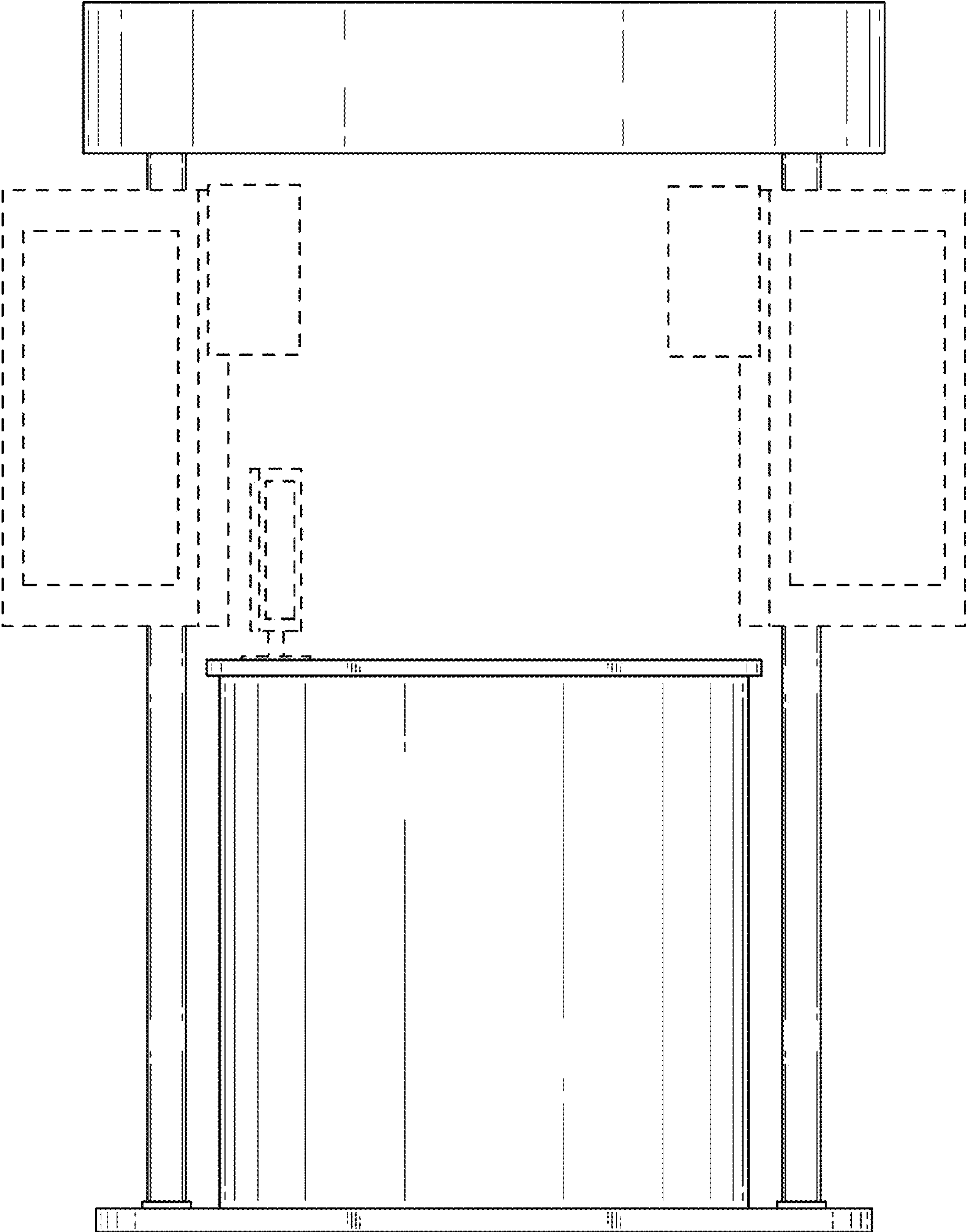


FIG. 1

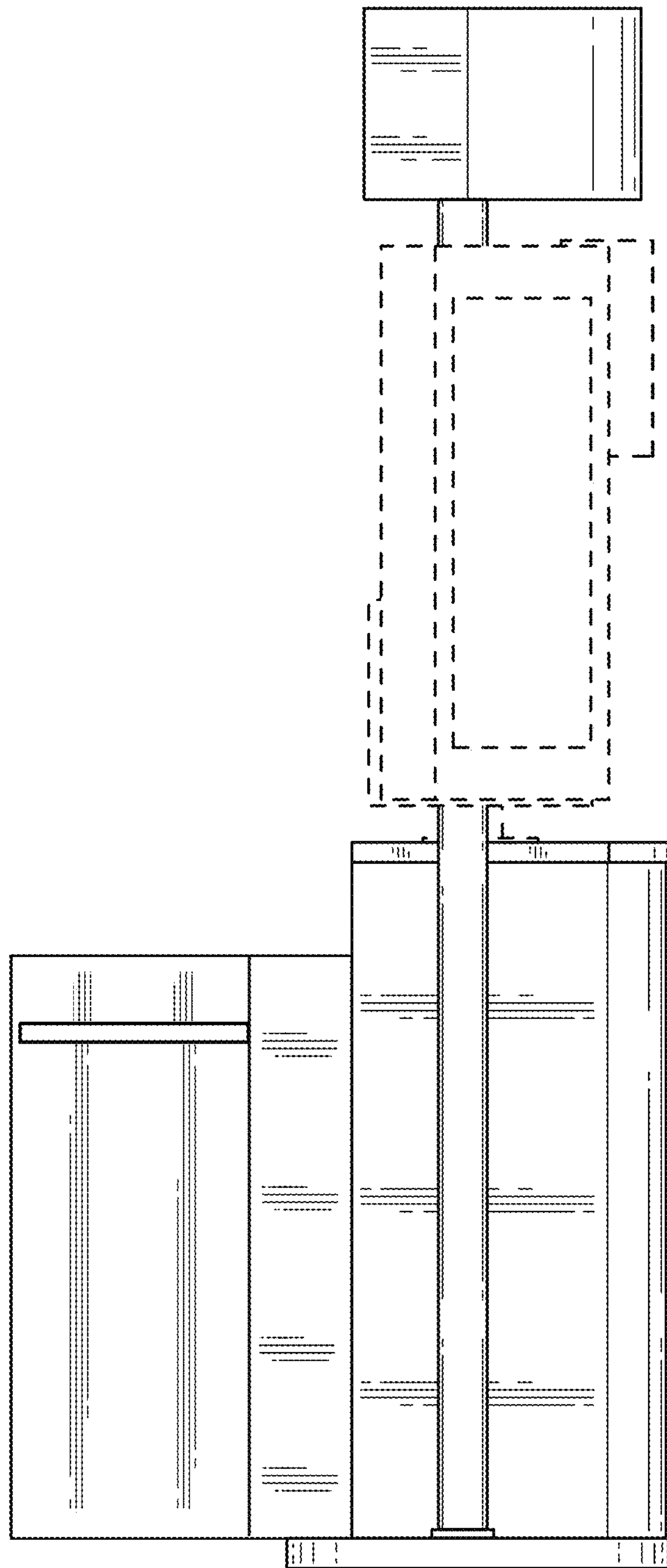


FIG. 2

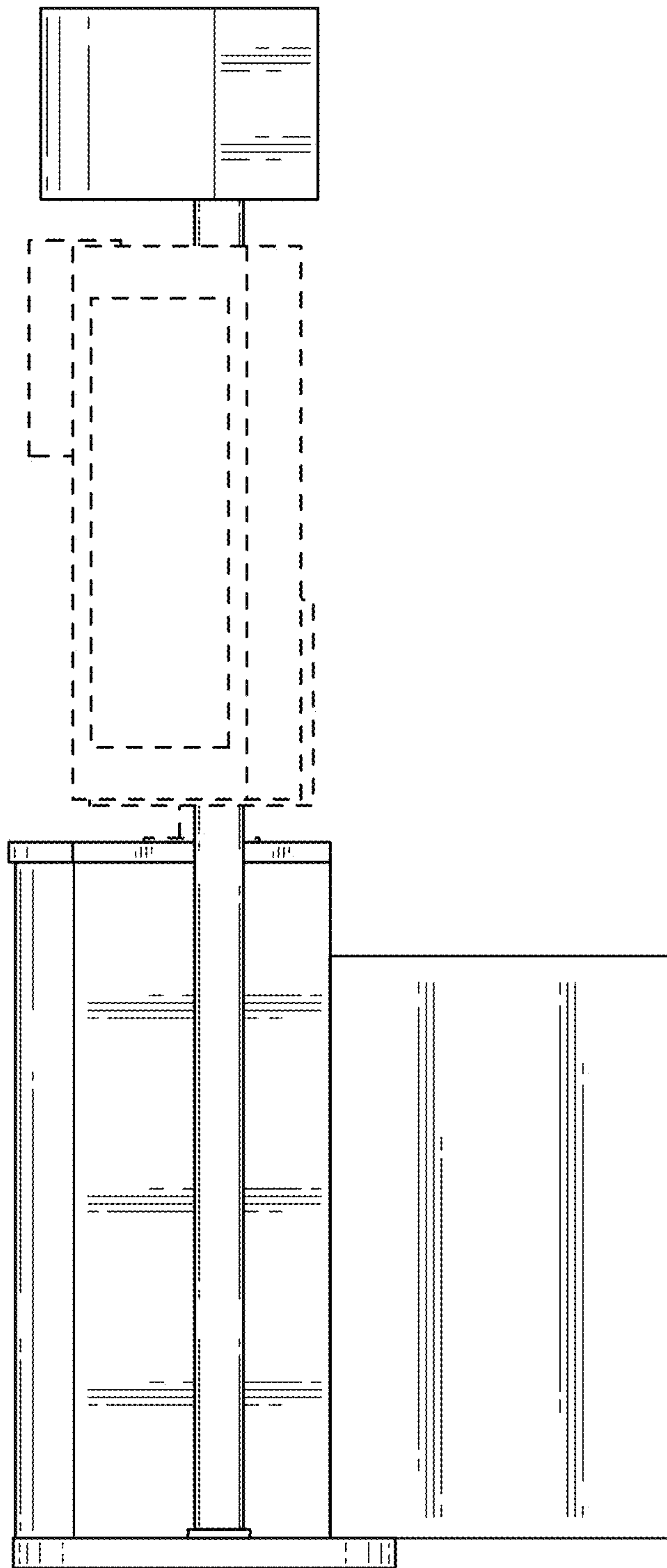


FIG. 3

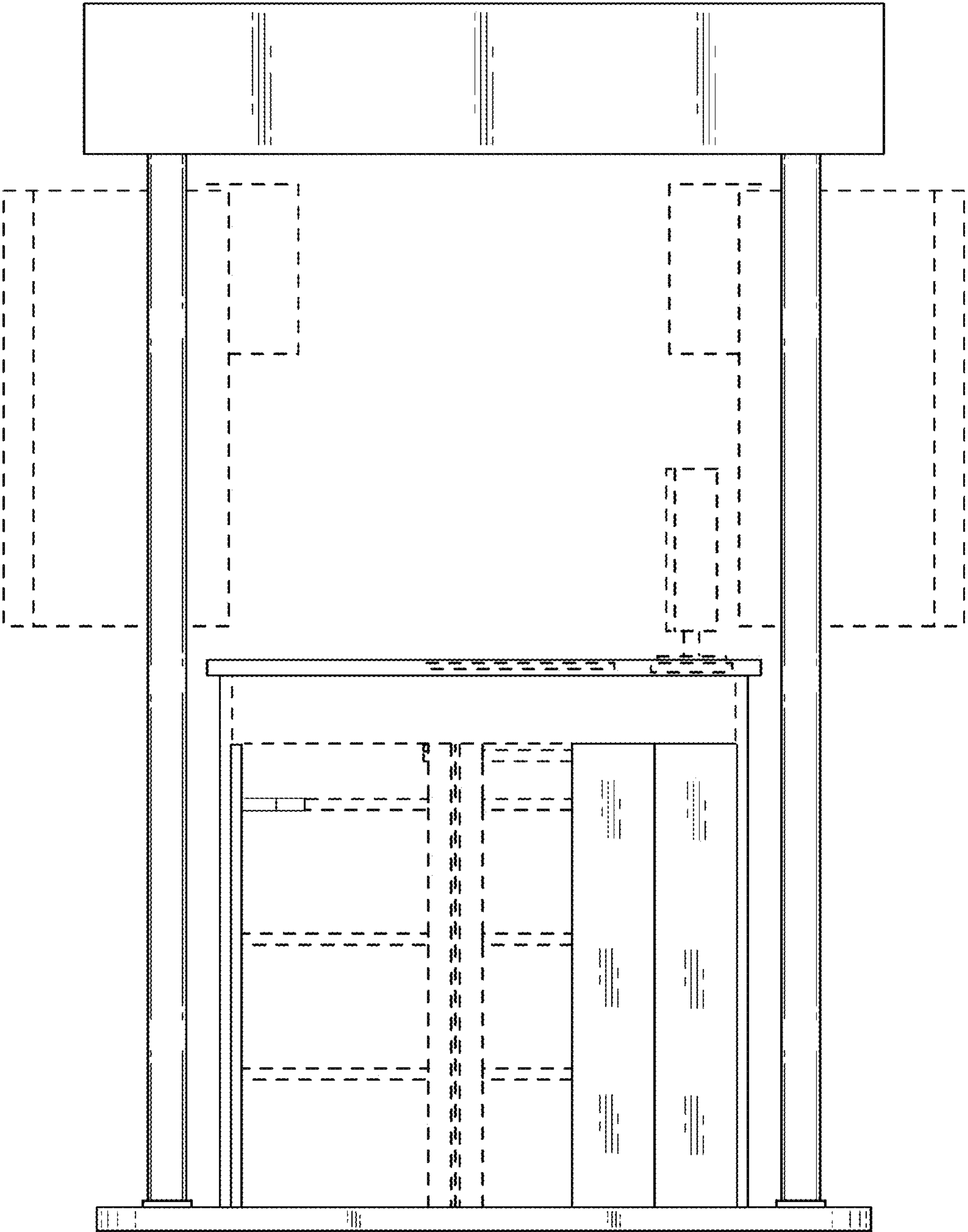


FIG. 4

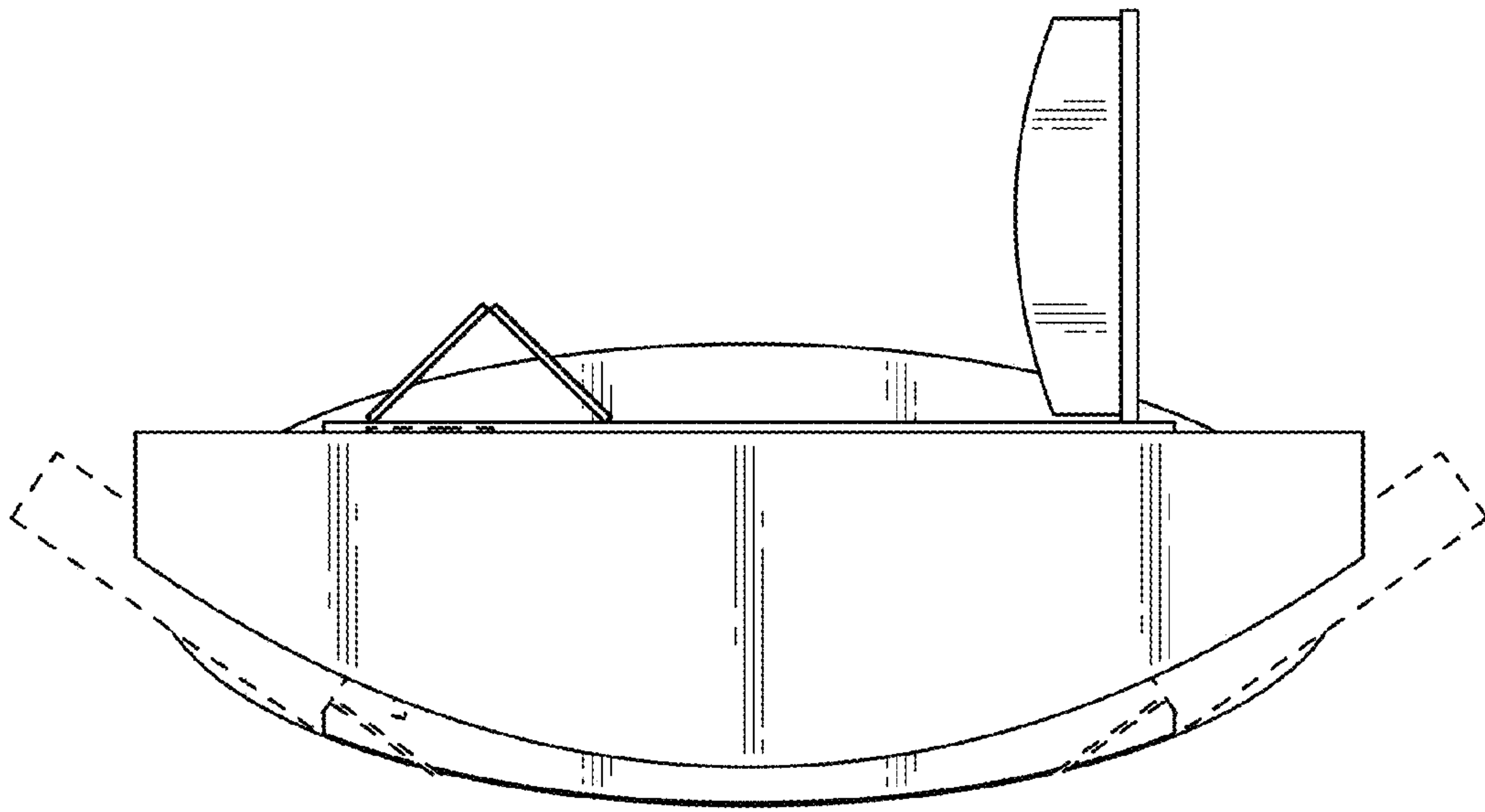


FIG. 5

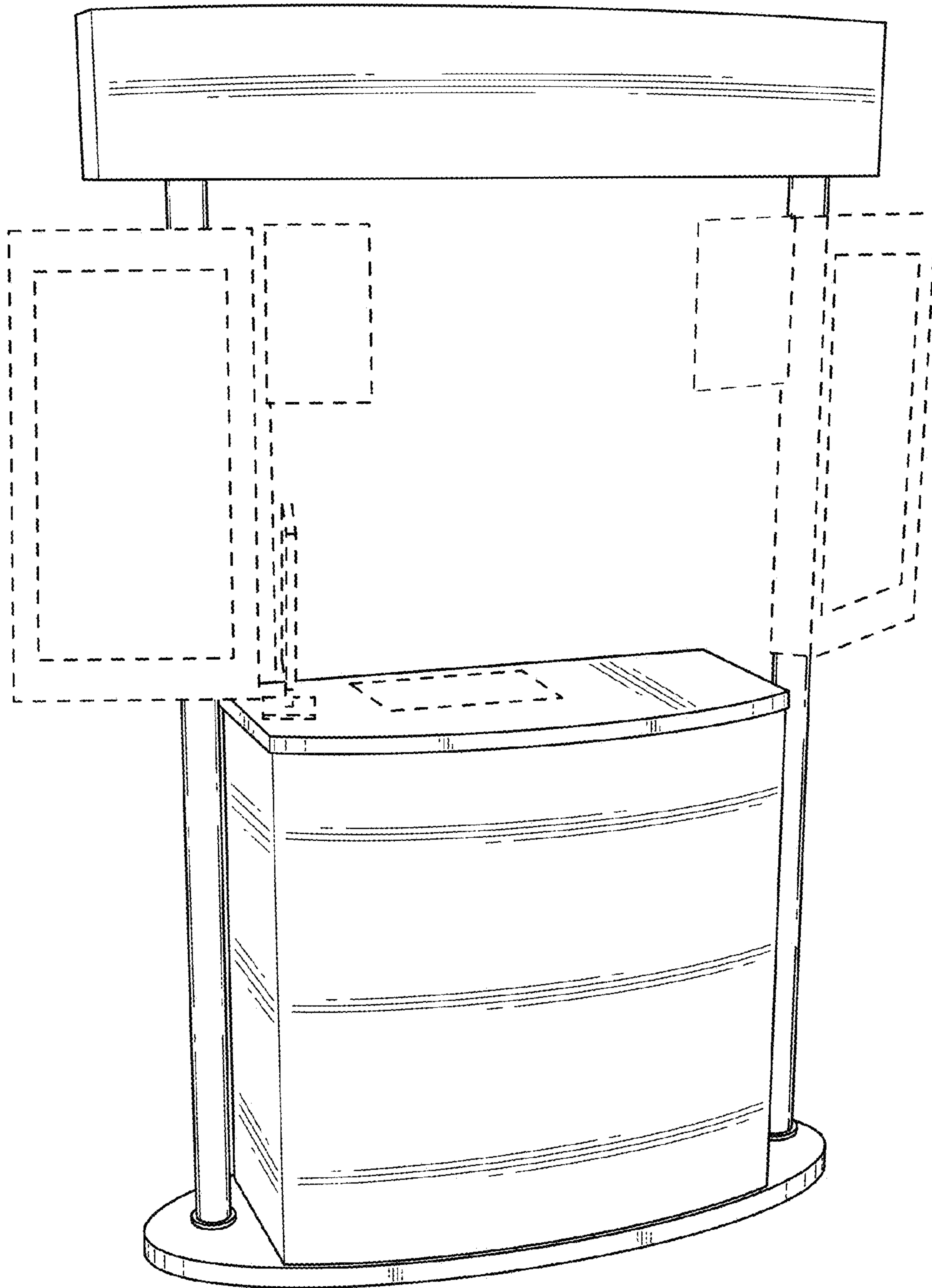


FIG. 6