



US00D750968S

(12) **United States Design Patent**
Marseglia

(10) **Patent No.:** **US D750,968 S**
(45) **Date of Patent:** **** Mar. 8, 2016**

(54) **COMBINATION STORAGE CONTAINER AND DISPENSER OF BABY BOTTLE ACCESSORIES**

(71) Applicant: **Eric Peter Marseglia**, Hermosa Beach, CA (US)

(72) Inventor: **Eric Peter Marseglia**, Hermosa Beach, CA (US)

(**) Term: **14 Years**

(21) Appl. No.: **29/511,252**

(22) Filed: **Dec. 9, 2014**

Related U.S. Application Data

(63) Continuation-in-part of application No. 14/046,689, filed on Oct. 4, 2013.

(51) **LOC (10) Cl.** **09-01**

(52) **U.S. Cl.**
USPC **D9/600**; D3/271.1; D24/197

(58) **Field of Classification Search**
USPC D24/127, 128, 129, 193, 194, 195, 196, D24/197, 198, 199, 207; D9/600, 444, 447, D9/452, 516, 608, 668, 719, 761, 751, 766, D9/420, 679, 640; 220/227, 235, 694, 703, 220/714, 727, 745; 215/11.1, 11.2, 11.3, 215/11.4, 11.5, 11.6, 41; D7/392, 510, 511; 606/236; 206/499; D3/271.1
CPC A61J 9/00; A61J 11/001; A61J 11/0035
See application file for complete search history.

(56) **References Cited**

U.S. PATENT DOCUMENTS

D60,190	S *	1/1922	Humphrey	D9/766
D205,427	S *	8/1966	Schwartzman	D9/447
D272,793	S *	2/1984	Appel et al.	D7/510
D280,361	S *	9/1985	Appel et al.	D3/271.1
5,419,445	A *	5/1995	Kaesemeyer	215/11.1
D455,069	S *	4/2002	Johnson	D9/503
D478,814	S *	8/2003	Shepard	D9/528
D536,931	S *	2/2007	Spellman	D7/594
D598,738	S *	8/2009	Supranowicz	D9/420
D609,355	S *	2/2010	Strickler et al.	D24/197
8,210,350	B1	7/2012	Marseglia	
D706,139	S *	6/2014	Sovine et al.	D9/680
2015/0096916	A1 *	4/2015	Marseglia	206/499

OTHER PUBLICATIONS

“Milk Powder Dispenser”. amazon.com. Web. May 25, 2012.*

* cited by examiner

Primary Examiner — Robert M Spear
Assistant Examiner — Kendra L. Hamilton

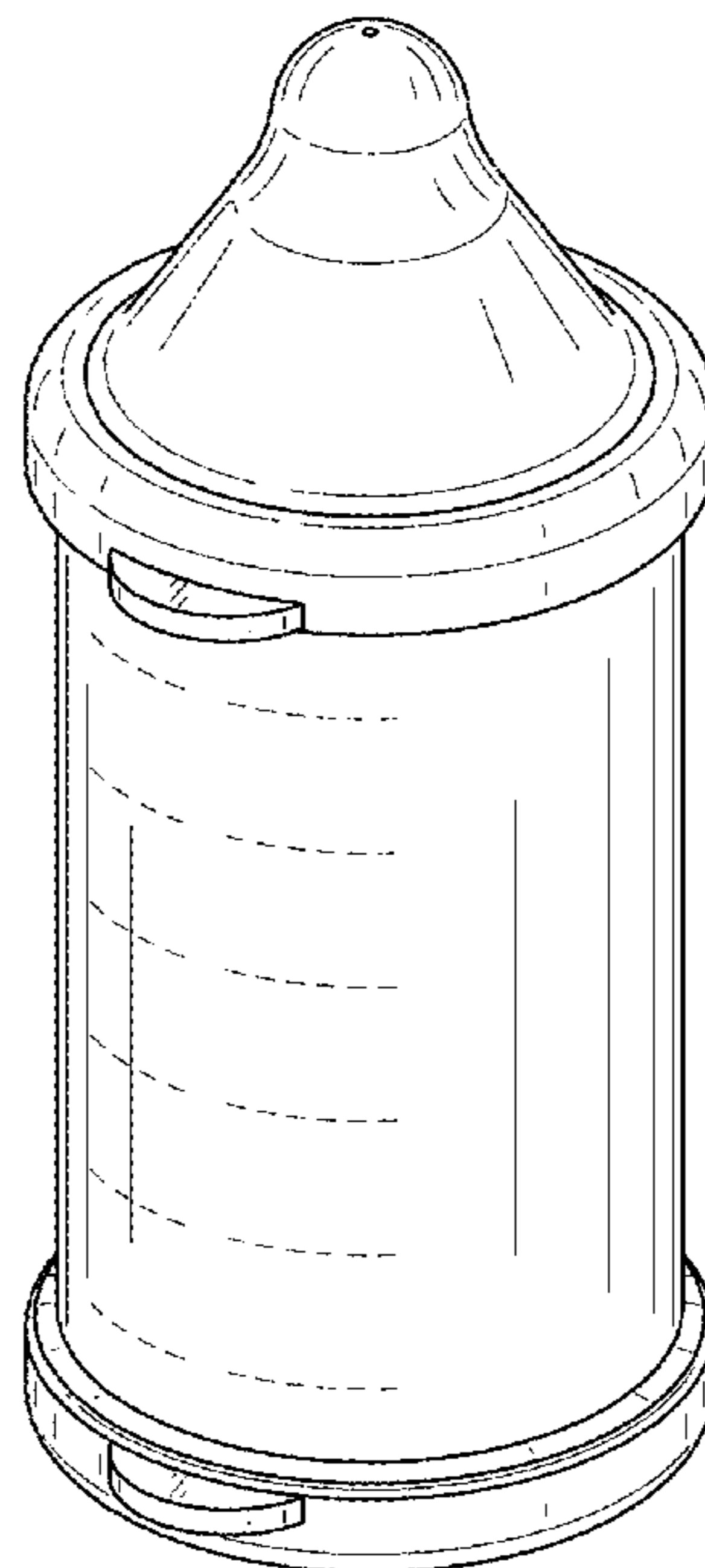
(57) **CLAIM**

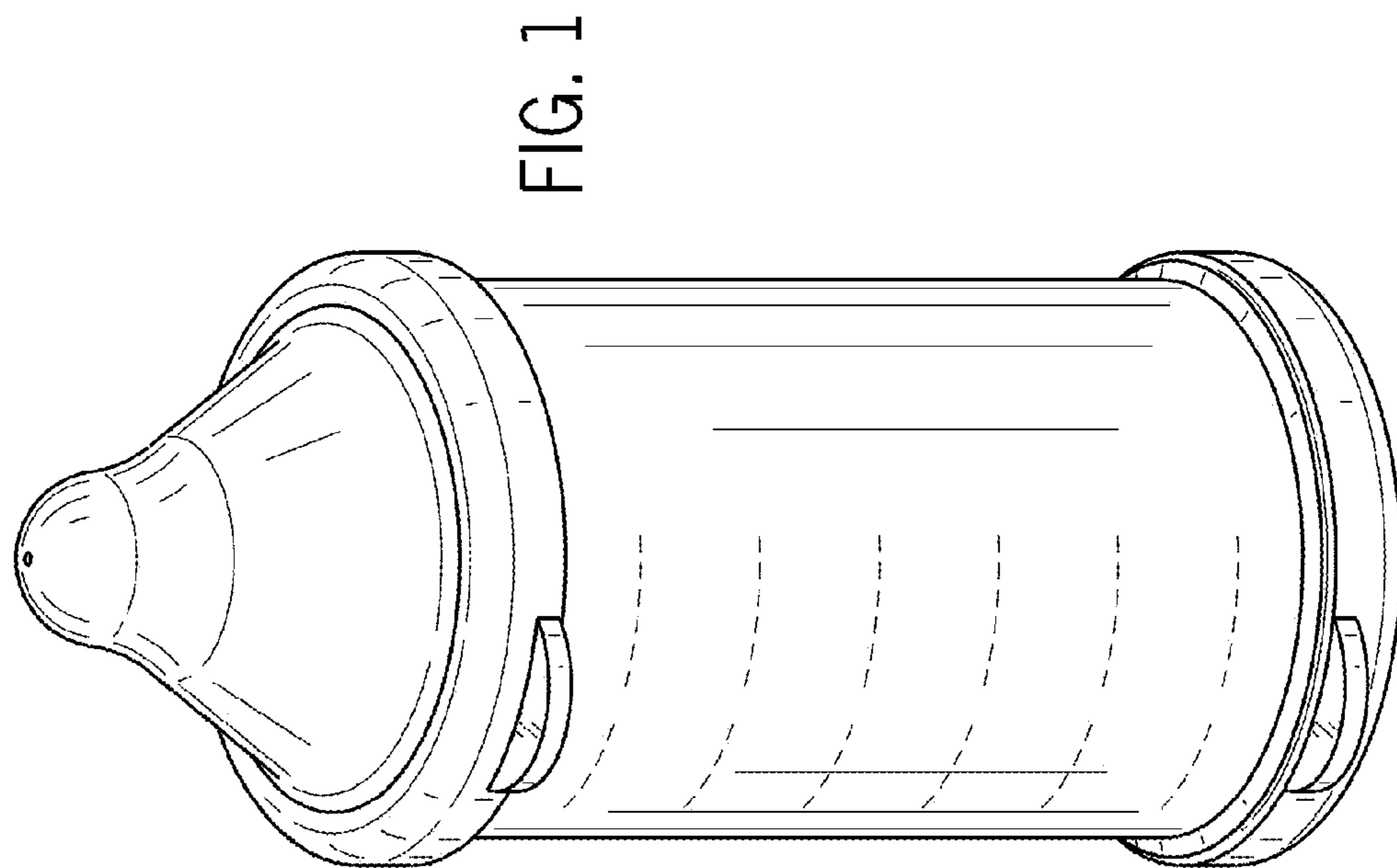
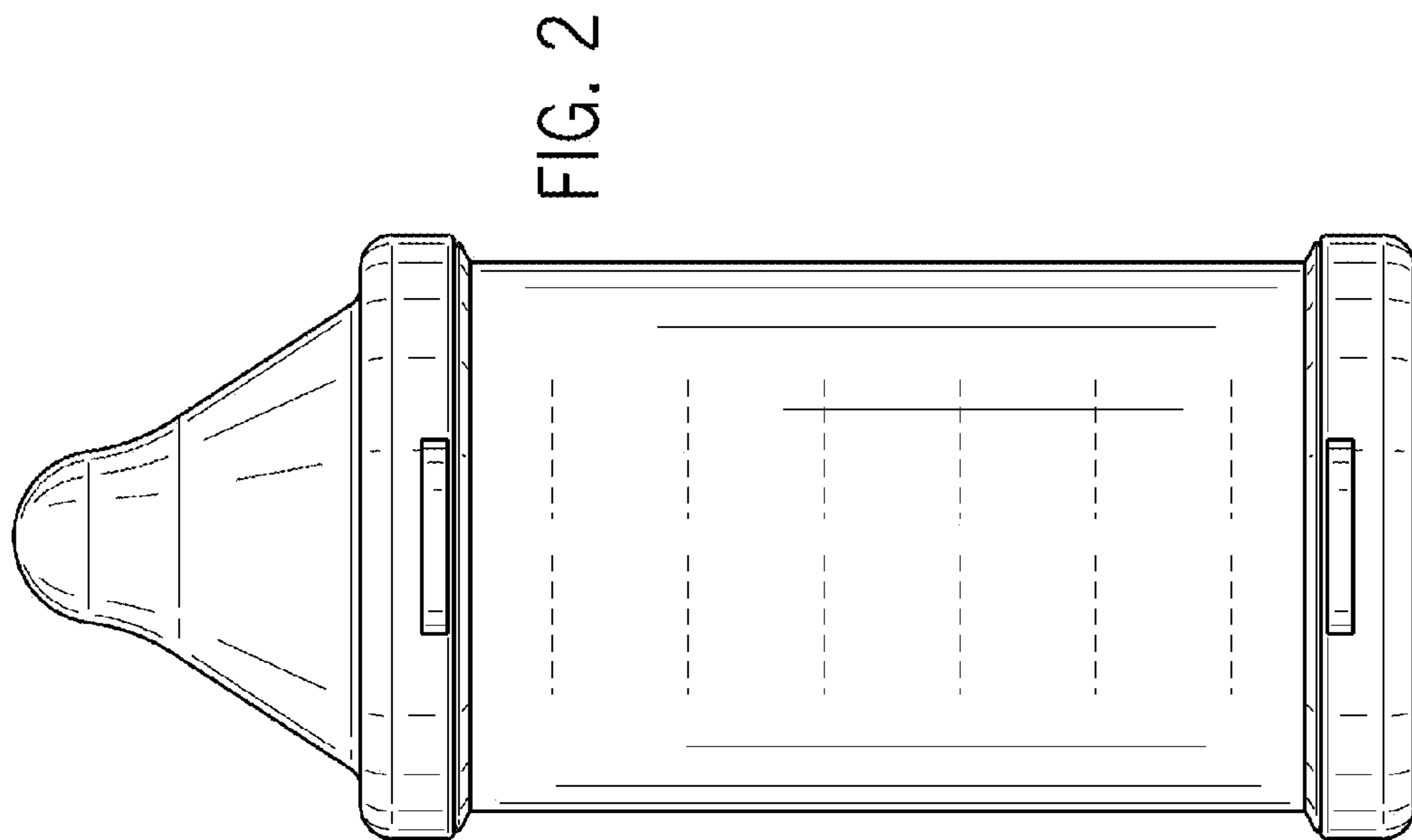
The ornamental design for a combination storage container and dispenser of baby bottle accessories, as shown and described.

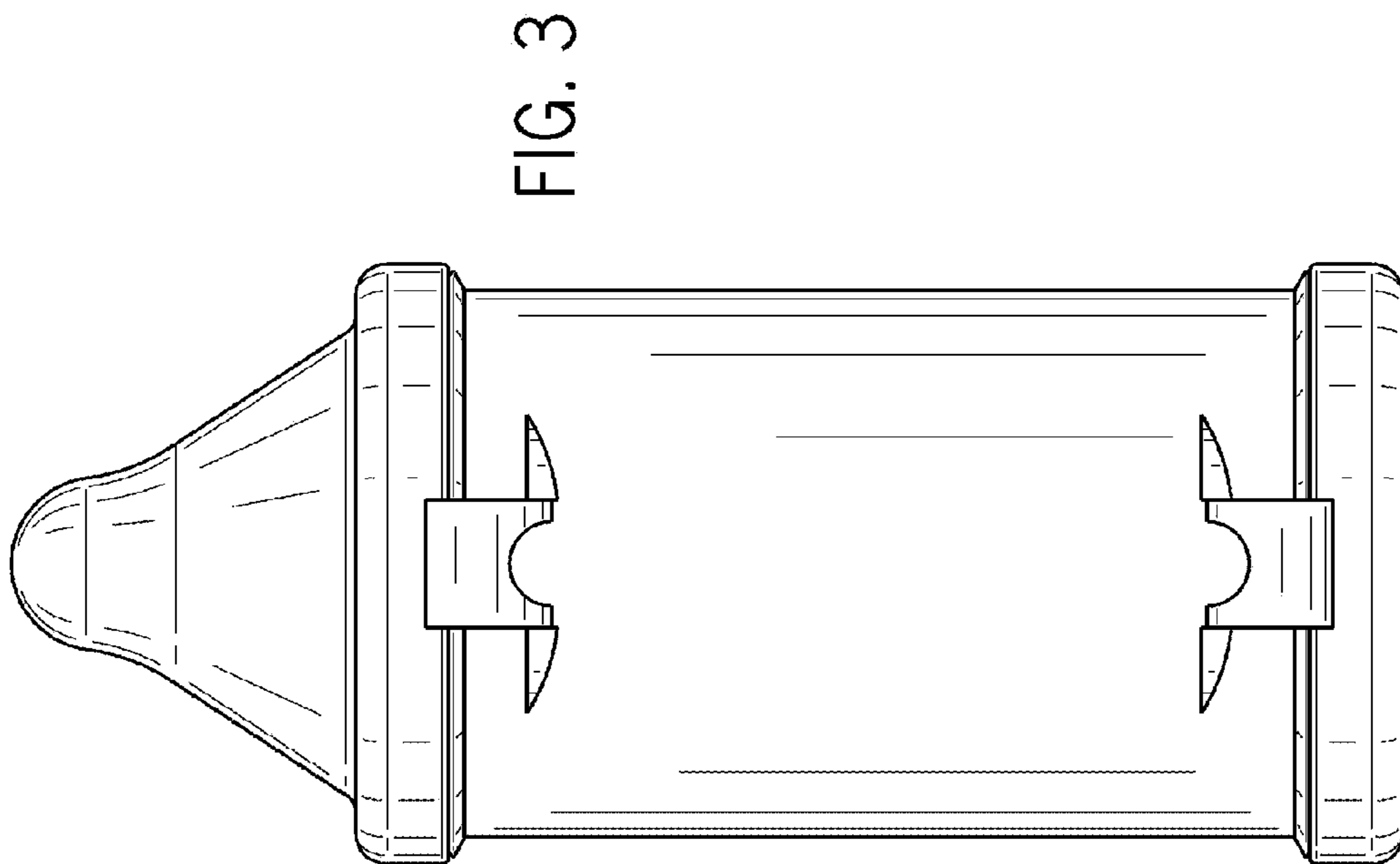
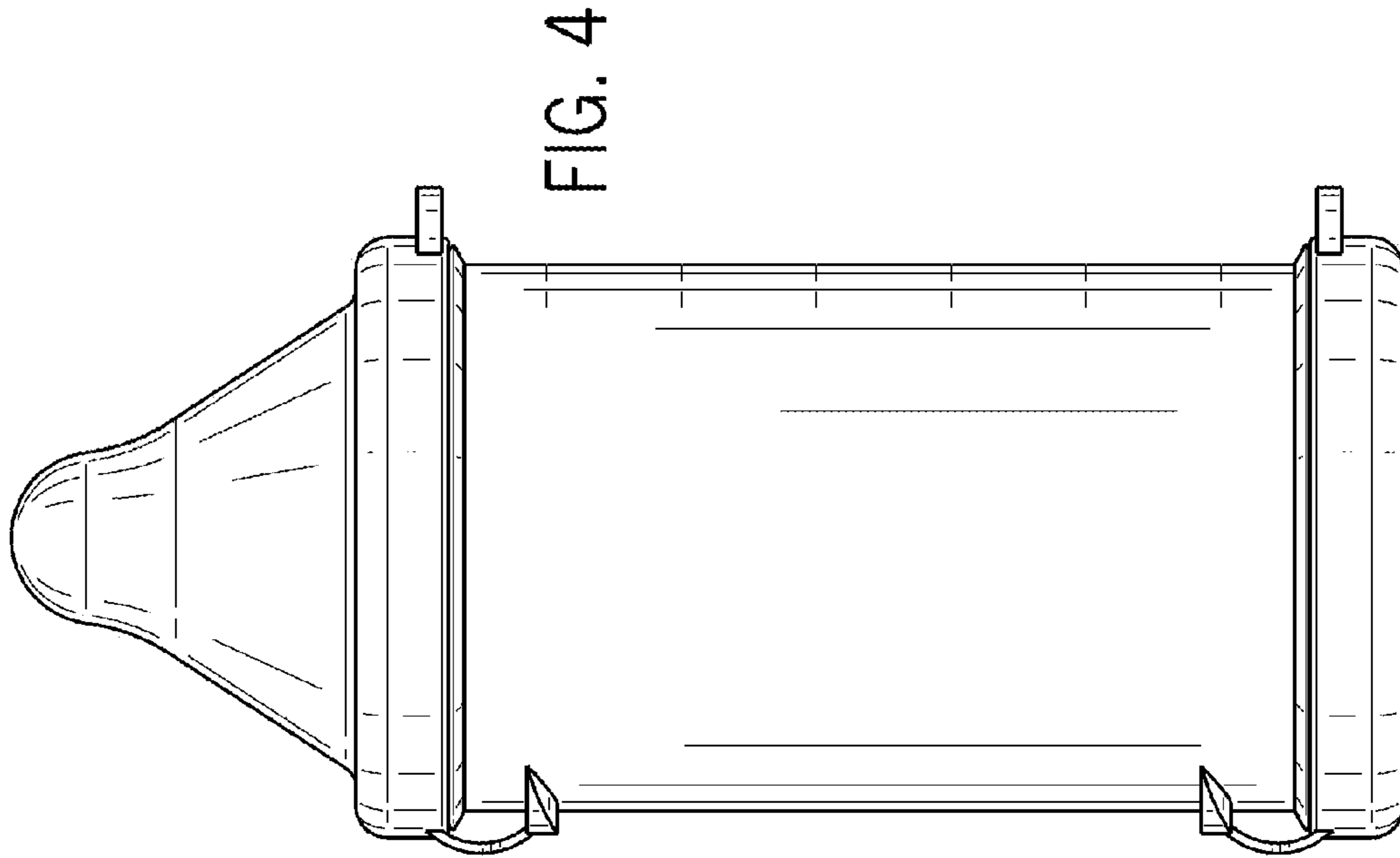
DESCRIPTION

FIG. 1 is a front perspective view of a combination storage container and dispenser of baby bottle accessories;
FIG. 2 is a front elevation view thereof;
FIG. 3 is a rear elevation view thereof;
FIG. 4 is a left side elevation view thereof; the right side view being a mirror image thereof;
FIG. 5 is a top plan view thereof; and,
FIG. 6 is a bottom plan view thereof.

1 Claim, 3 Drawing Sheets







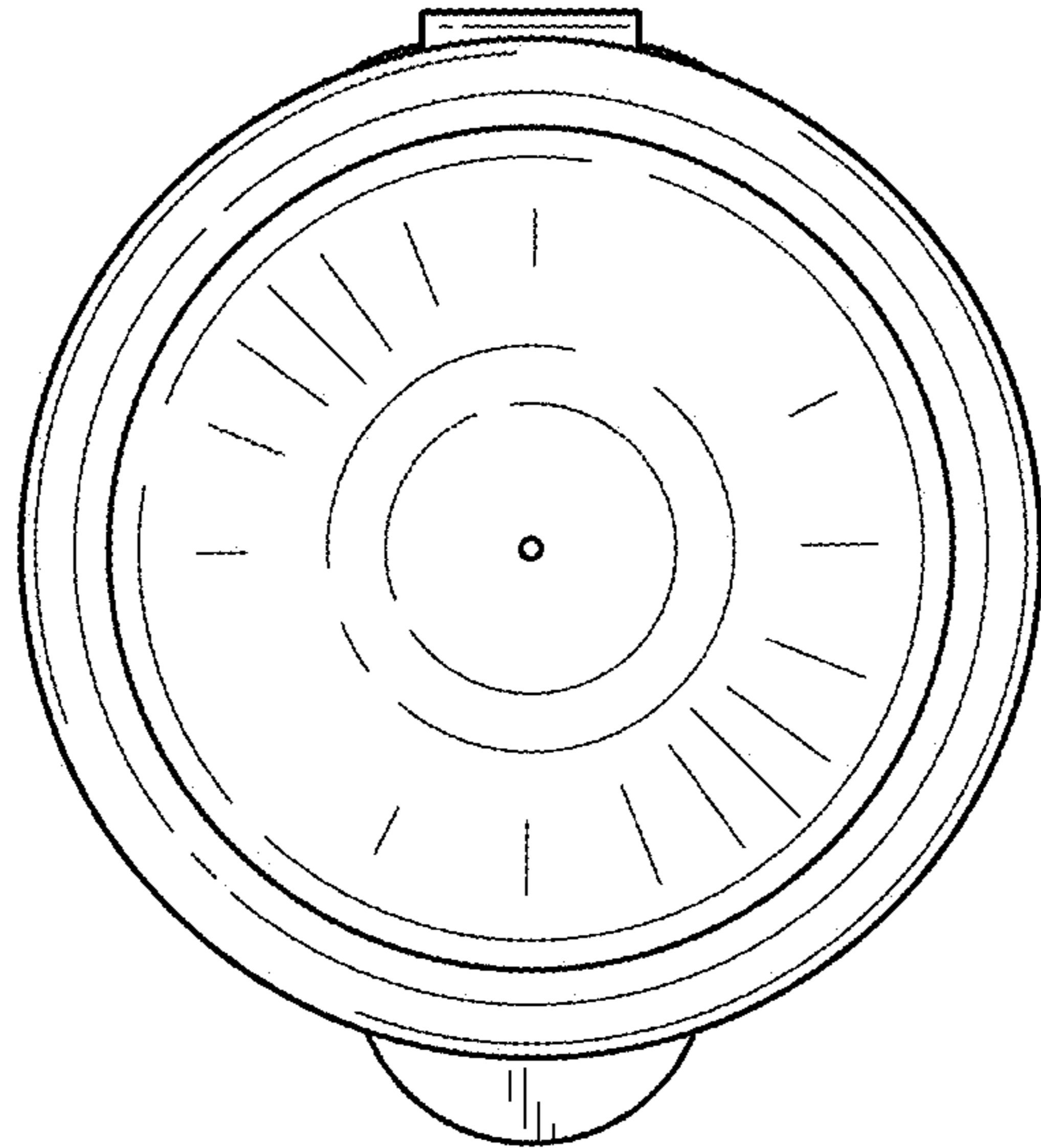


FIG. 5

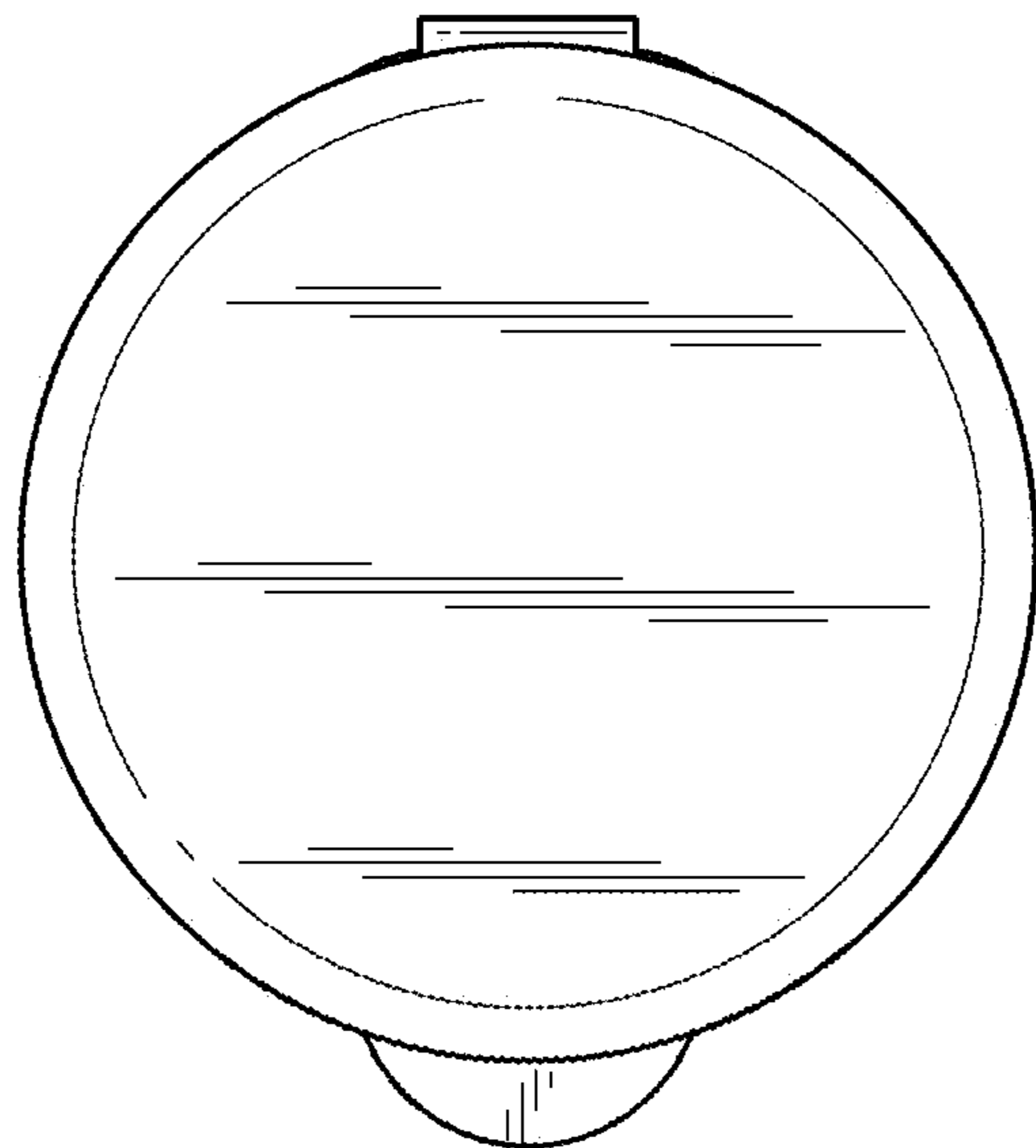


FIG. 6