



US00D750966S

(12) **United States Design Patent**
Zhou

(10) **Patent No.:** **US D750,966 S**
(45) **Date of Patent:** **** Mar. 8, 2016**

(54) **BEVERAGE BOTTLE**

(71) Applicant: **Shenzhen Ganten Food and Drink Co., Ltd**, Shenzhen, Guangdong (CN)

(72) Inventor: **Jingliang Zhou**, Shenzhen (CN)

(73) Assignee: **SHENZHEN GANTEN FOOD AND DRINK CO., LTD**, Shenzhen (CN)

(**) Term: **14 Years**

(21) Appl. No.: **29/498,071**

(22) Filed: **Jul. 31, 2014**

(30) **Foreign Application Priority Data**

Jun. 30, 2014 (CN) 2014 3 0212982

(51) **LOC (10) Cl.** **09-01**

(52) **U.S. Cl.**
USPC **D9/538; D9/520; D9/552; D9/554; D9/556; D9/557; D9/572; D9/575**

(58) **Field of Classification Search**
USPC D9/516–575, 600–681
CPC B65D 23/00; B65D 23/102; B65D 1/00; B65D 1/0223; B65D 1/0261; B65D 1/40; B65D 1/42; B65D 1/44; B65D 2501/00; B65D 2501/0009; B65D 2501/0018; B65D 2501/0027; B65D 2501/0036; B65D 1/0276
See application file for complete search history.

(56) **References Cited**

U.S. PATENT DOCUMENTS

D67,189 S * 5/1925 Curran D9/540
D67,294 S * 5/1925 Miller D9/556
D78,163 S * 4/1929 Krick D9/619
D117,610 S * 11/1939 D’Addario D9/556

D130,261 S * 11/1941 D’Addario D9/556
D157,488 S * 2/1950 Graf D9/502
D259,021 S * 4/1981 Khovaylo D9/539
4,318,882 A * 3/1982 Agrawal B29C 49/6481
264/520
D286,984 S * 12/1986 Durand D9/552
D370,178 S * 5/1996 Petre D9/520
D381,272 S * 7/1997 Coons D9/540
D458,144 S * 6/2002 Trabal D9/554
7,798,349 B2 * 9/2010 Maczek B65D 1/0223
215/381
D684,064 S * 6/2013 Crawford D9/562
D698,656 S * 2/2014 Fleischhacker D9/516
8,668,100 B2 * 3/2014 Castillo Higareda B65D 1/0223
215/379
D731,324 S * 6/2015 Li D9/552
2011/0174769 A1 * 7/2011 Jung, II B65D 1/0246
215/383
2013/0062306 A1 * 3/2013 Quasters B65D 1/0284
215/375
2014/0175043 A1 * 6/2014 Haner B65D 1/0261
215/373

* cited by examiner

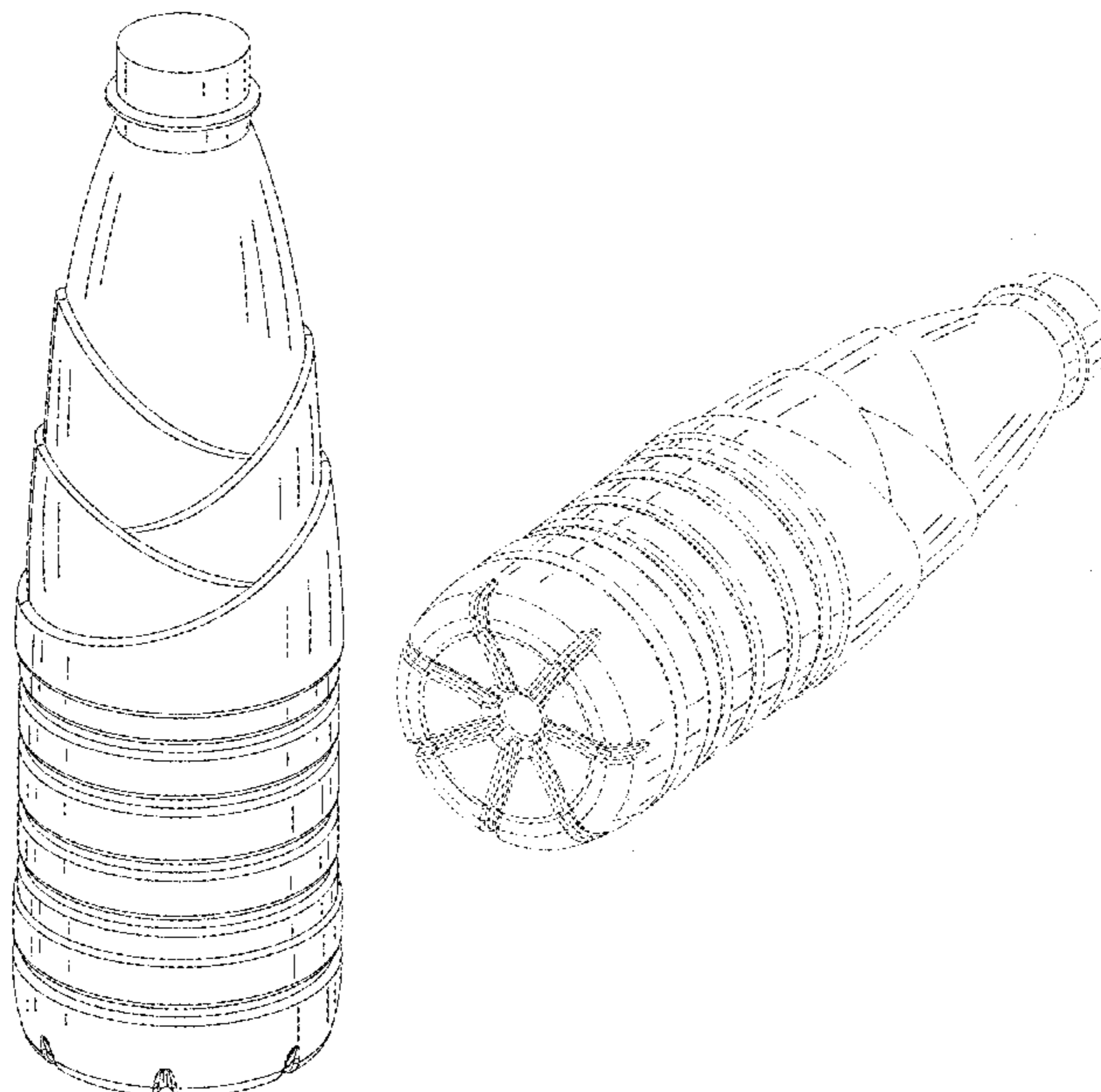
Primary Examiner — Catherine Tuttle

(57) **CLAIM**
The ornamental design for a beverage bottle, as shown and described.

DESCRIPTION

FIG. 1 is a front elevational view of a beverage bottle showing my new design;
FIG. 2 is a rear elevational view thereof;
FIG. 3 is a left side view thereof;
FIG. 4 is a right side view thereof;
FIG. 5 is a top plan view thereof;
FIG. 6 is a bottom plan view thereof;
FIG. 7 is a top perspective view thereof; and,
FIG. 8 is a bottom perspective view thereof.

1 Claim, 7 Drawing Sheets



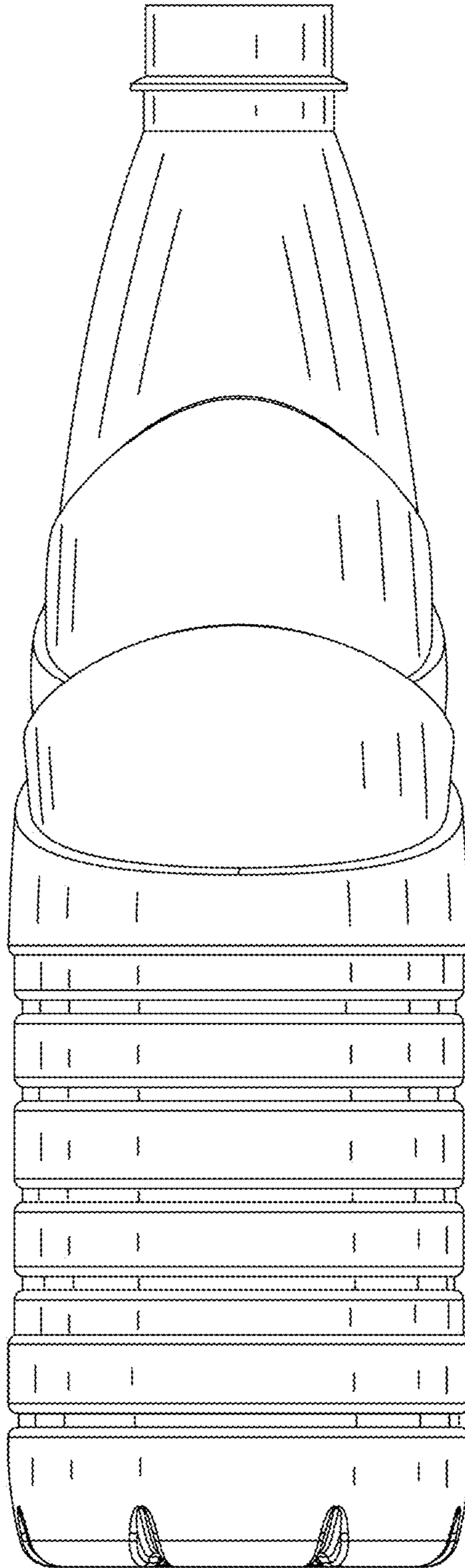


Fig. 1

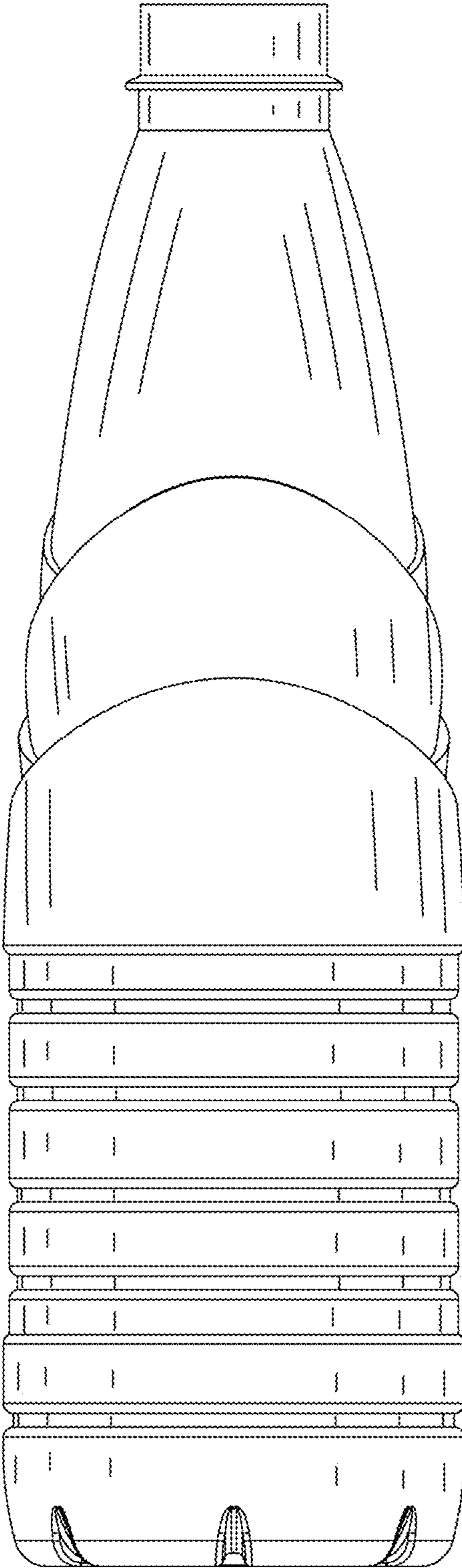


Fig. 2

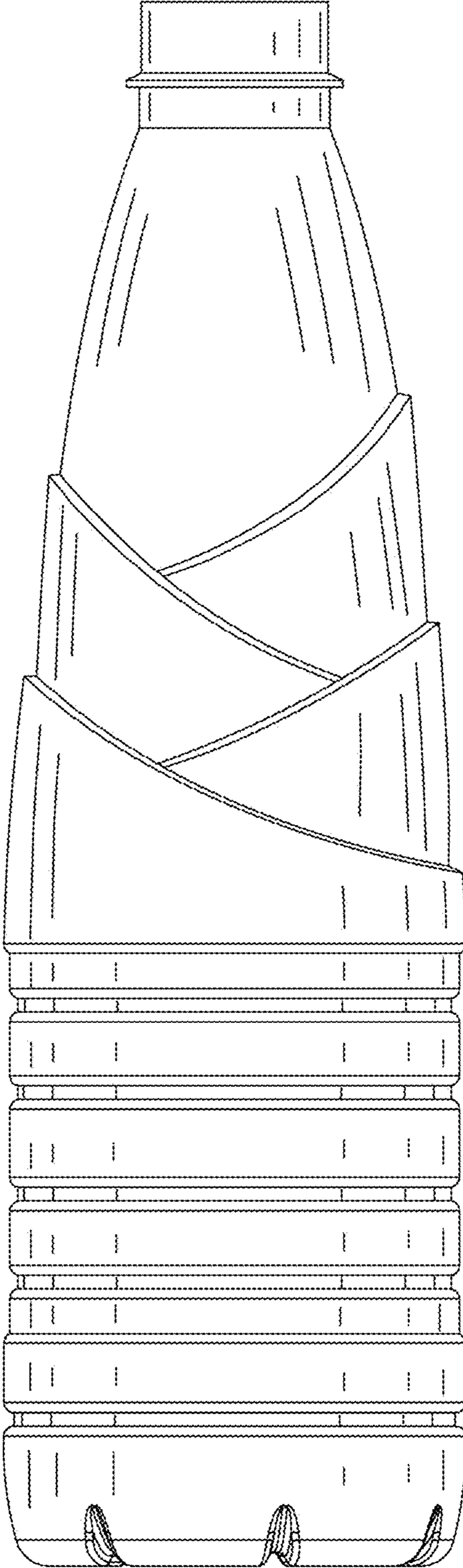


Fig. 3

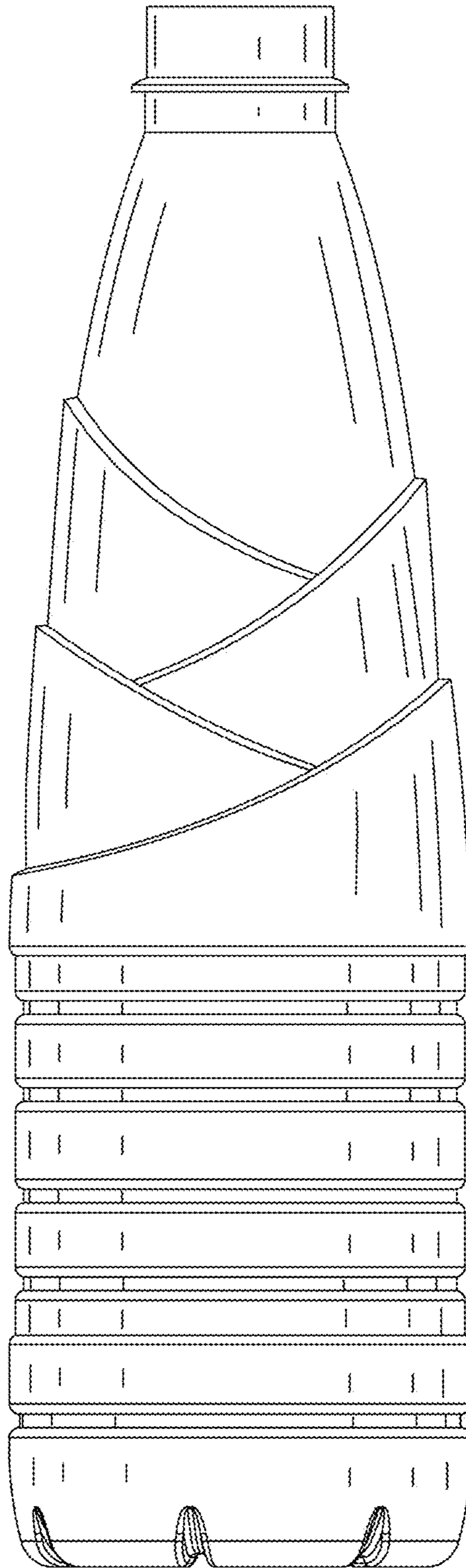


Fig. 4

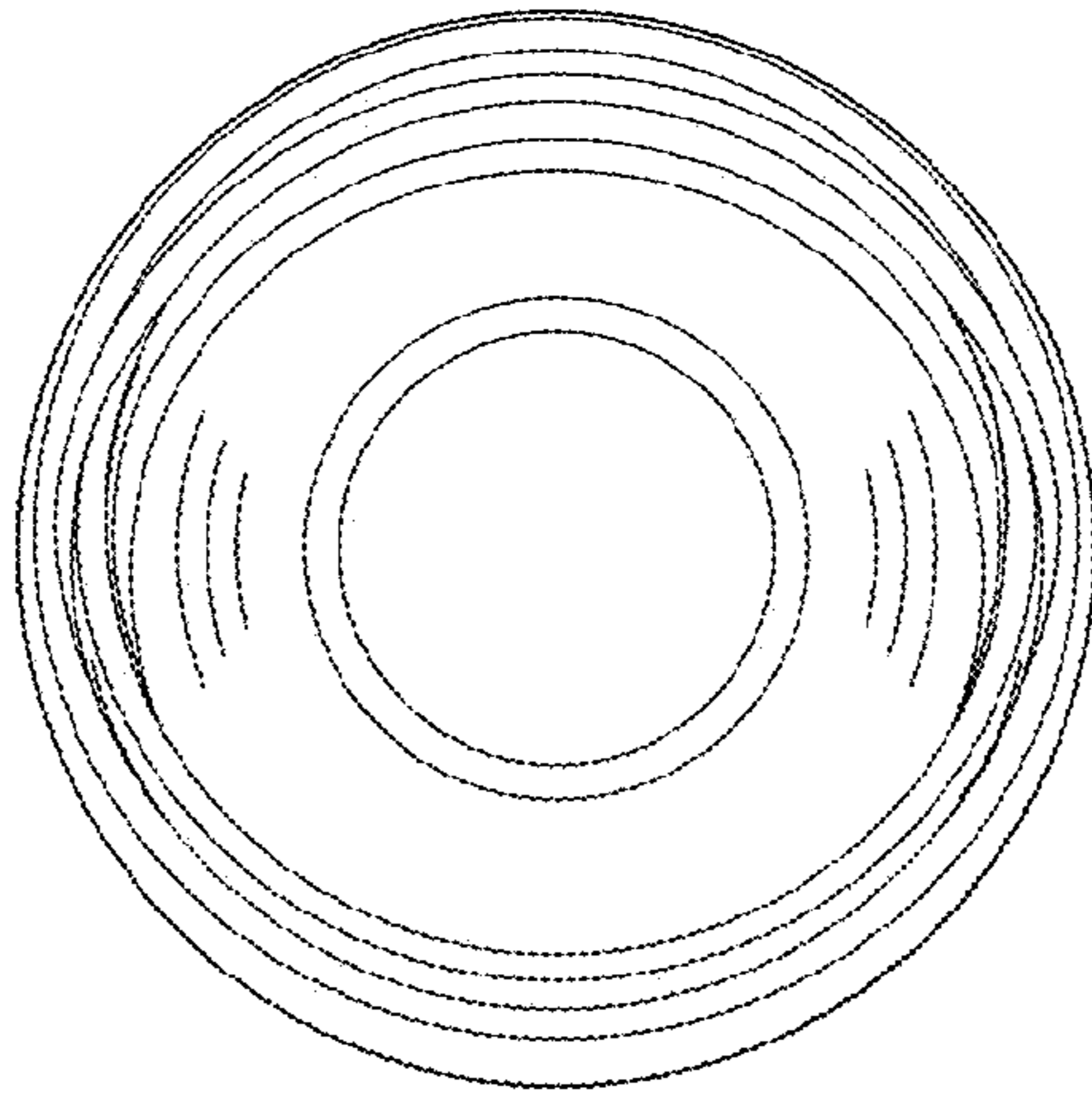


Fig. 5

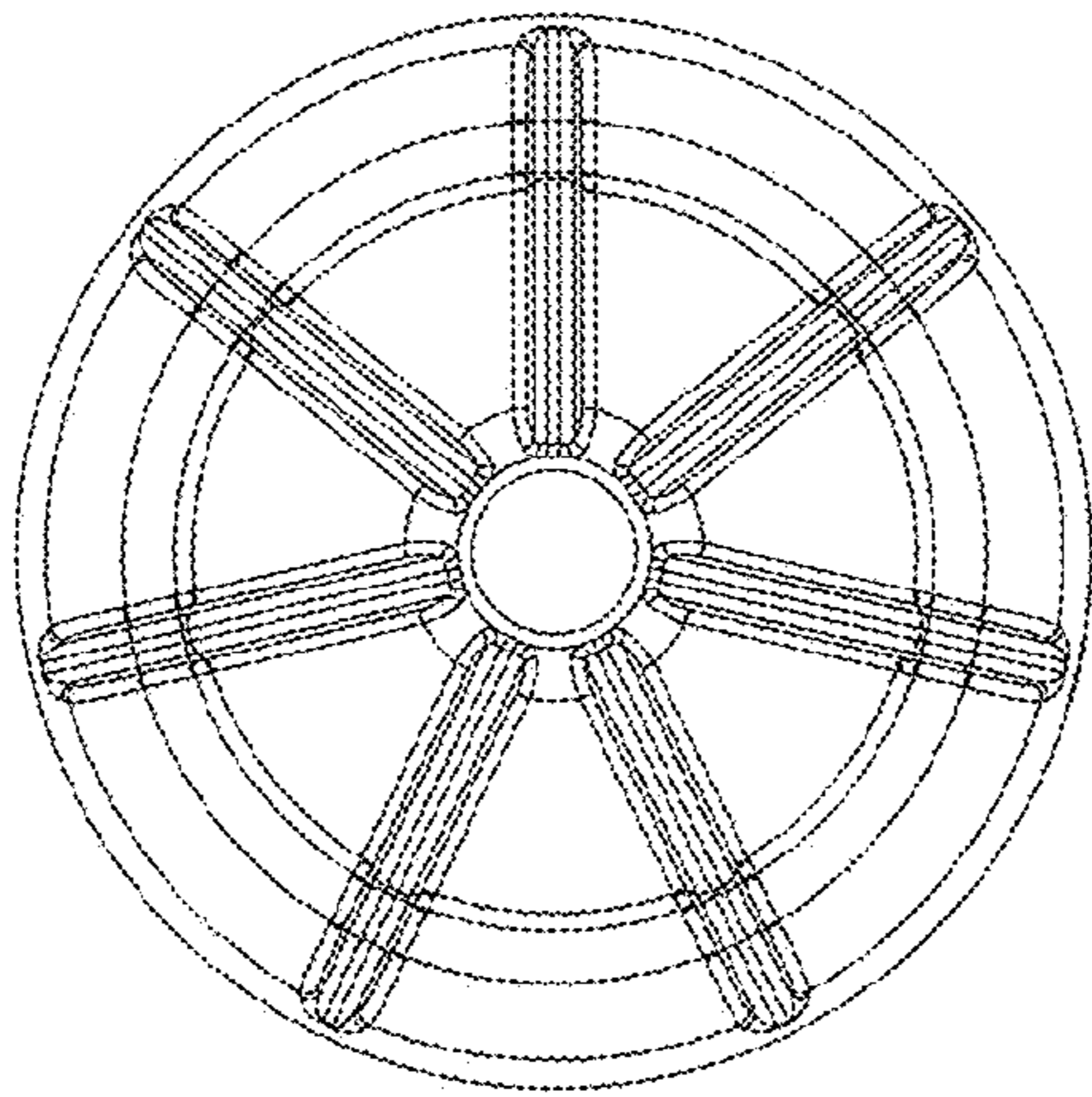


Fig. 6

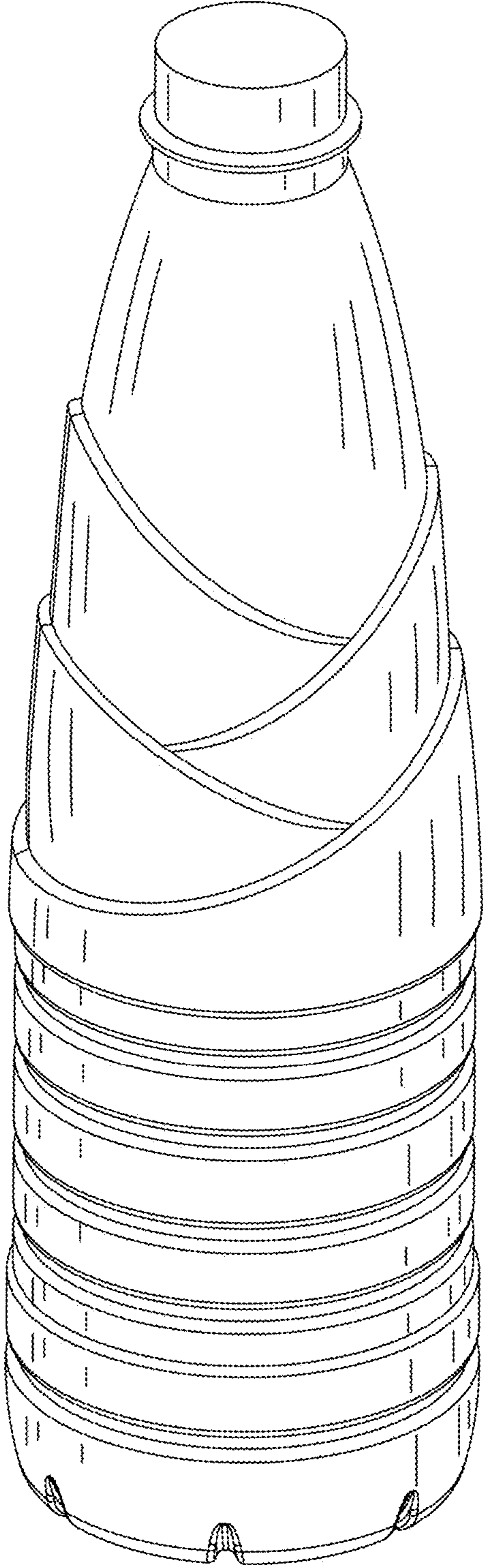


Fig. 7

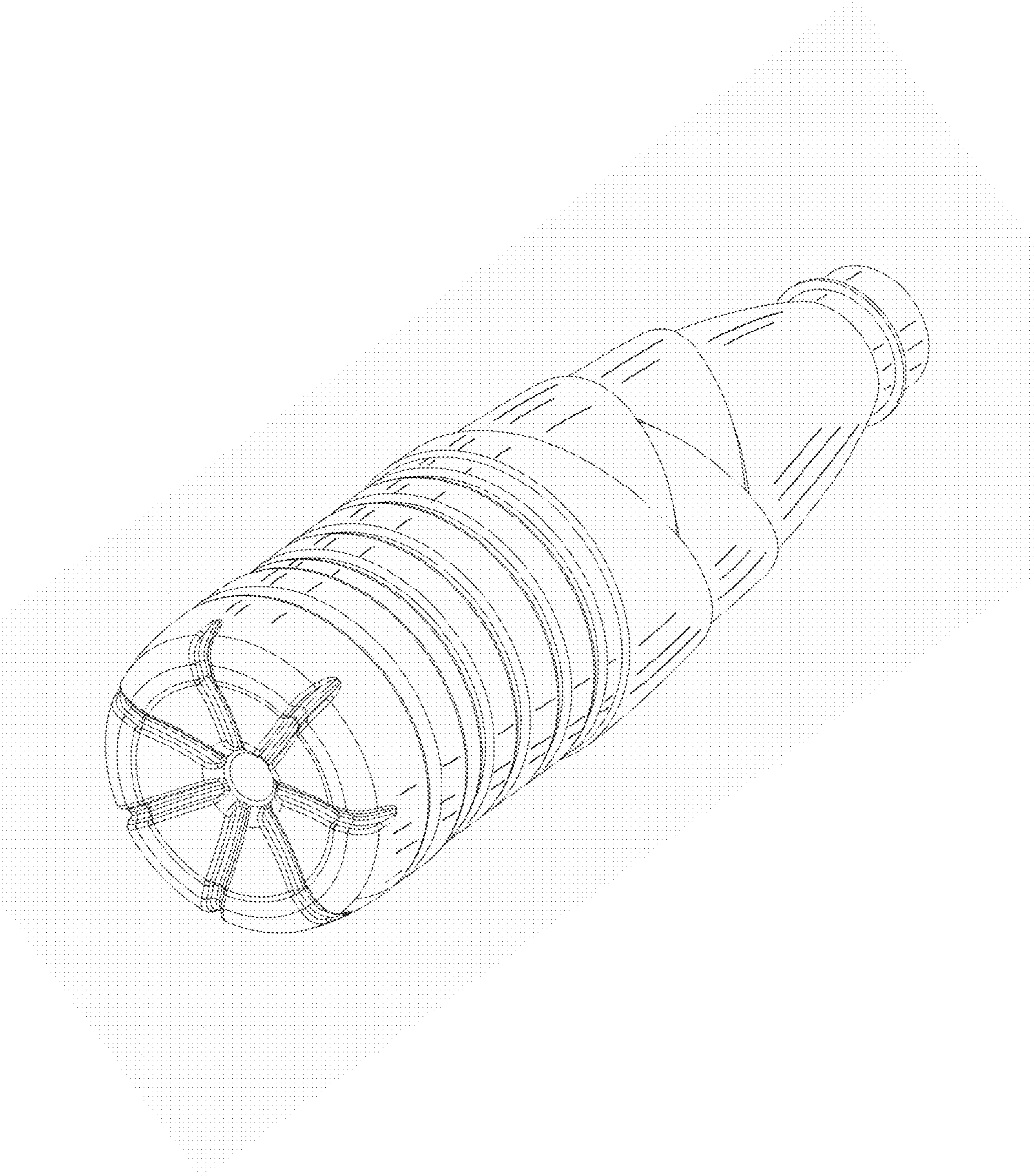


Fig. 8