

US00D750963S

(12) **United States Design Patent**
Sankot

(10) **Patent No.:** **US D750,963 S**
(45) **Date of Patent:** **** Mar. 8, 2016**

- (54) **PACKAGING (SMALL VESSELS)**
- (71) Applicant: **Aqua Angels EUROPE, s.r.o.**, Prague (CZ)
- (72) Inventor: **Ivana Sankot**, Prague (CZ)
- (73) Assignee: **Aqua Angels EUROPE s.r.o.** (CZ)
- (**) Term: **14 Years**
- (21) Appl. No.: **29/497,480**
- (22) Filed: **Jul. 24, 2014**
- (51) **LOC (10) Cl.** **09-01**
- (52) **U.S. Cl.**
USPC **D9/517; D9/438; D9/456; D9/518;**
D9/553; D9/556; D9/557; D9/558
- (58) **Field of Classification Search**
USPC D9/414, 432, 434, 435, 438, 454, 455,
D9/456, 516, 517, 518, 549, 553, 556–558,
D9/715, 719, 721; D34/38–39
CPC B65D 1/00; B65D 1/02; B65D 1/10;
B65D 1/0223; B65D 1/243; B65D 23/00;
B65D 81/00; B65D 2501/00; B65D 2501/0009
See application file for complete search history.

D287,337 S *	12/1986	Nickel	D9/500
D291,658 S *	9/1987	Klette	D9/504
D298,917 S *	12/1988	Krohn	D9/558
D326,051 S *	5/1992	Frahm	D9/500
D354,907 S *	1/1995	Rosen	D24/227
D430,038 S *	8/2000	Young	D9/549
D492,460 S *	6/2004	Thorpe	D34/38
D517,408 S *	3/2006	Gonzalez	D9/438
D537,353 S *	2/2007	Bailey	D9/540
D581,272 S *	11/2008	Yourist	D9/502
D657,624 S *	4/2012	Kastl	D7/505

* cited by examiner

Primary Examiner — Dana L Meyrow

Assistant Examiner — Keith Frank

(74) *Attorney, Agent, or Firm* — Fross Zelnick Lehrman & Zissu, P.C.; Charles T. J. Weigell, Esq.

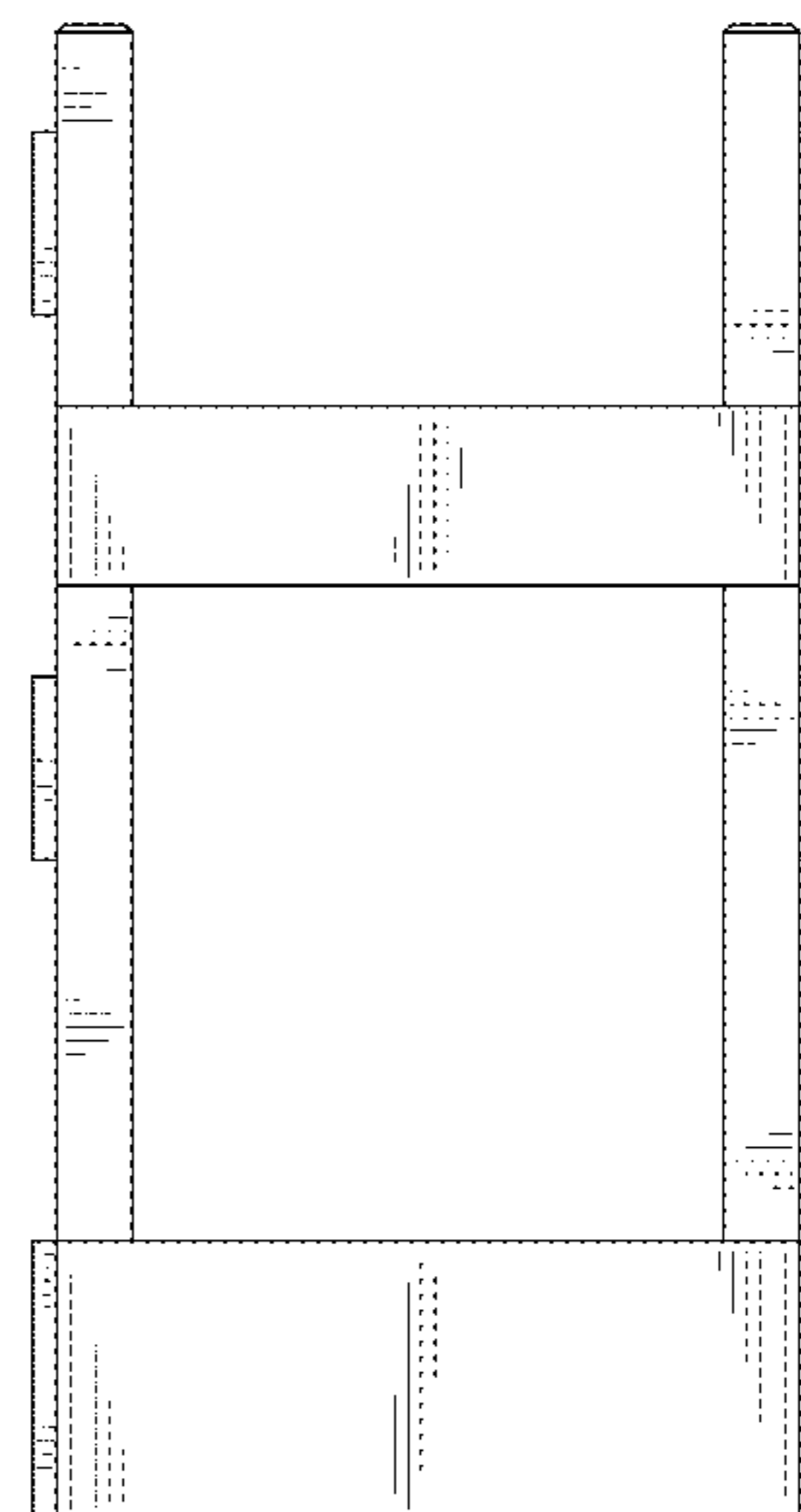
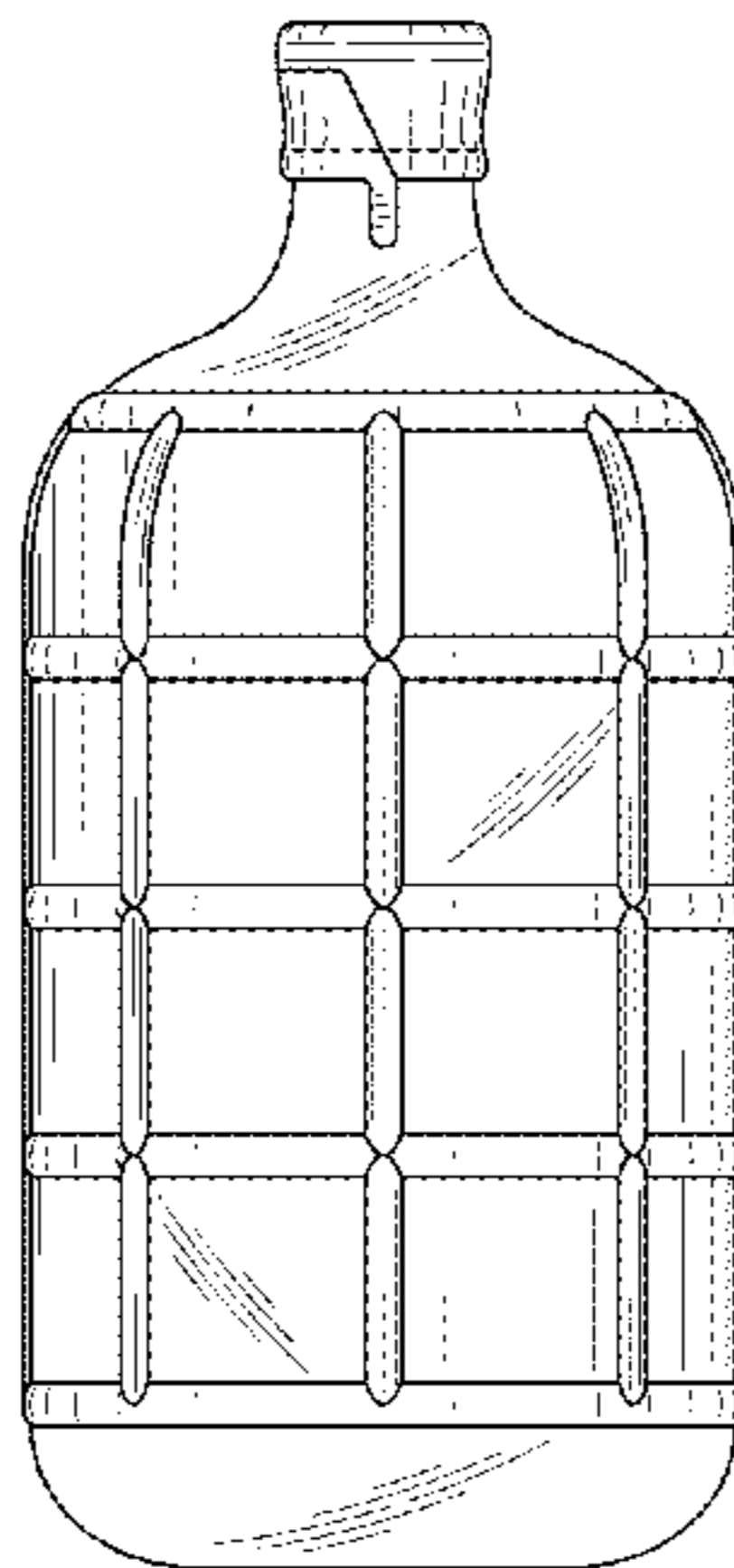
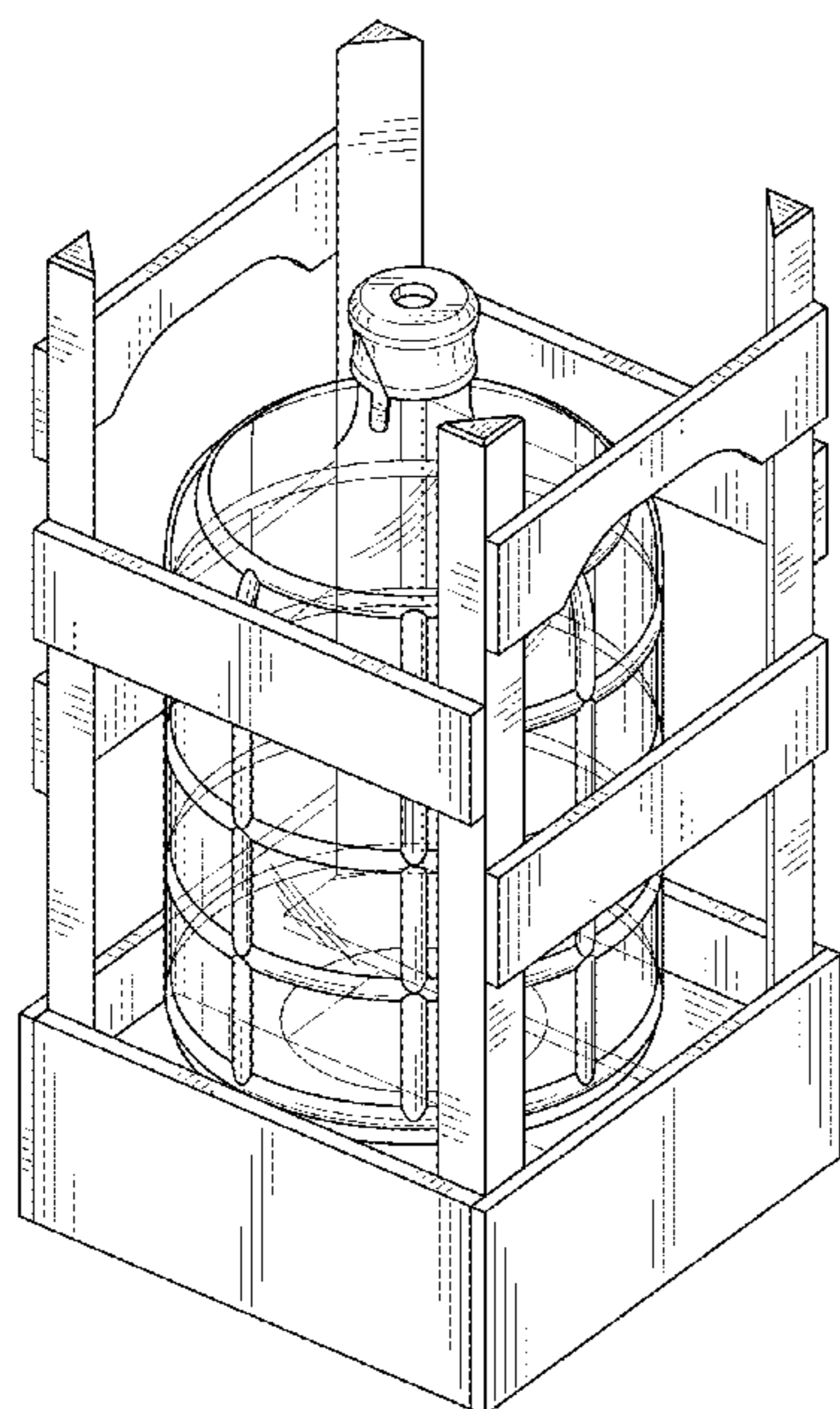
(57) **CLAIM**
The ornamental design for packaging (small vessels), as shown and described.

DESCRIPTION

FIG. 1 is a front view of the packaging showing my new design, with the rear view being identical, excluding the closure of the bottle portion of the packaging;
 FIG. 2 is a left side view of the packaging shown in FIG. 1, with the right side view being a mirror images thereof;
 FIG. 3 is a top view of the packaging shown in FIG. 1;
 FIG. 4 is a bottom view of the packaging shown in FIG. 1;
 FIG. 5 is a front perspective view of the packaging shown in FIG. 1;
 FIG. 6 is an alternative front perspective view of the packaging shown in FIG. 1; and,
 FIG. 7 is a front view of the packaging shown in FIG. 1, with the bottle shown separately from the base.

1 Claim, 6 Drawing Sheets

- (56) **References Cited**
U.S. PATENT DOCUMENTS
- 1,509,422 A * 9/1924 Garis B65D 85/302
217/54
- 1,549,577 A * 8/1925 Lefkowitz B65D 85/302
217/54
- D201,999 S * 8/1965 Rau D9/502
- 4,143,784 A * 3/1979 Frahm B65D 85/302
215/12.1
- D262,521 S * 1/1982 Frahm D9/556



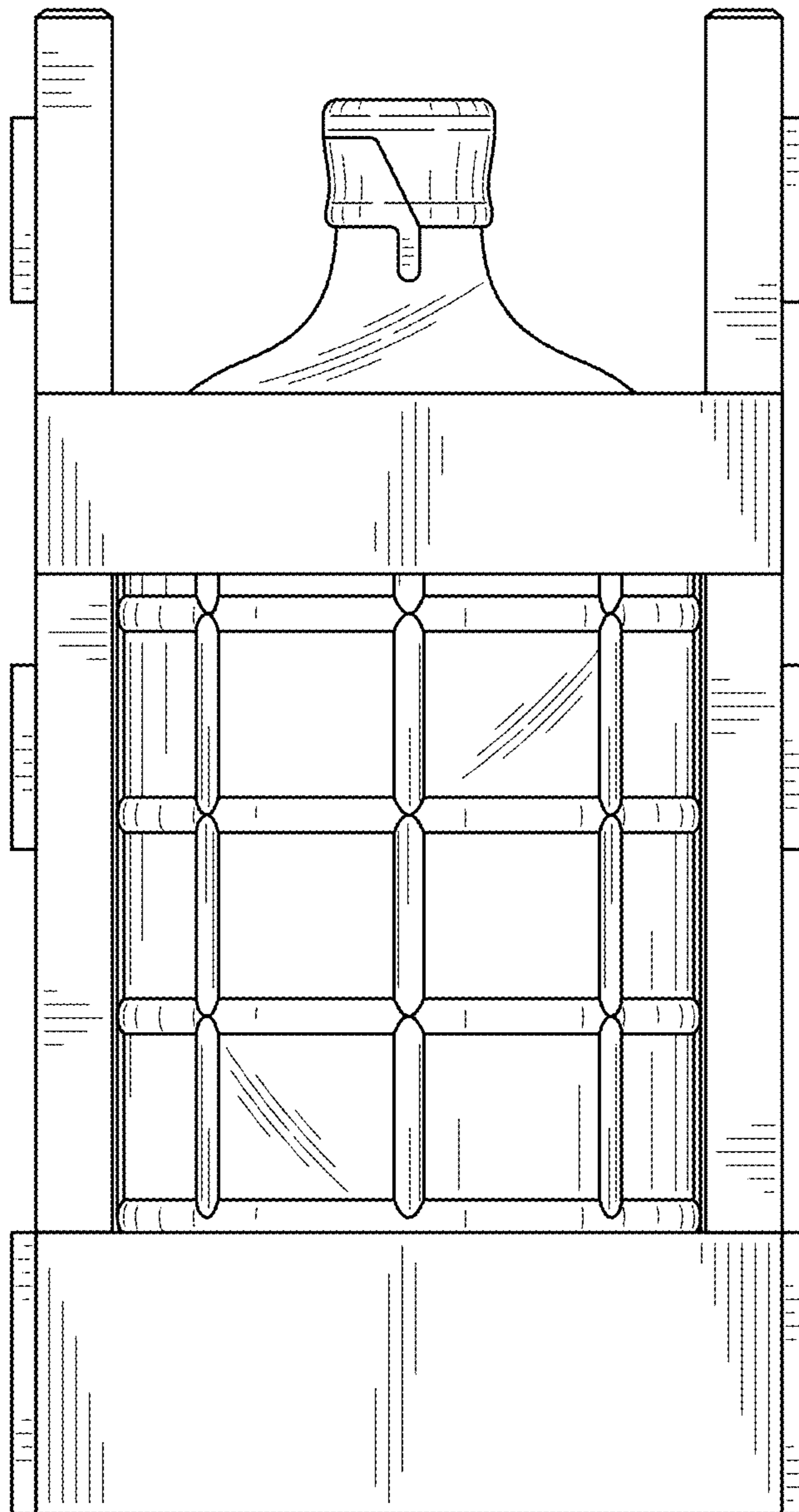


FIG. 1

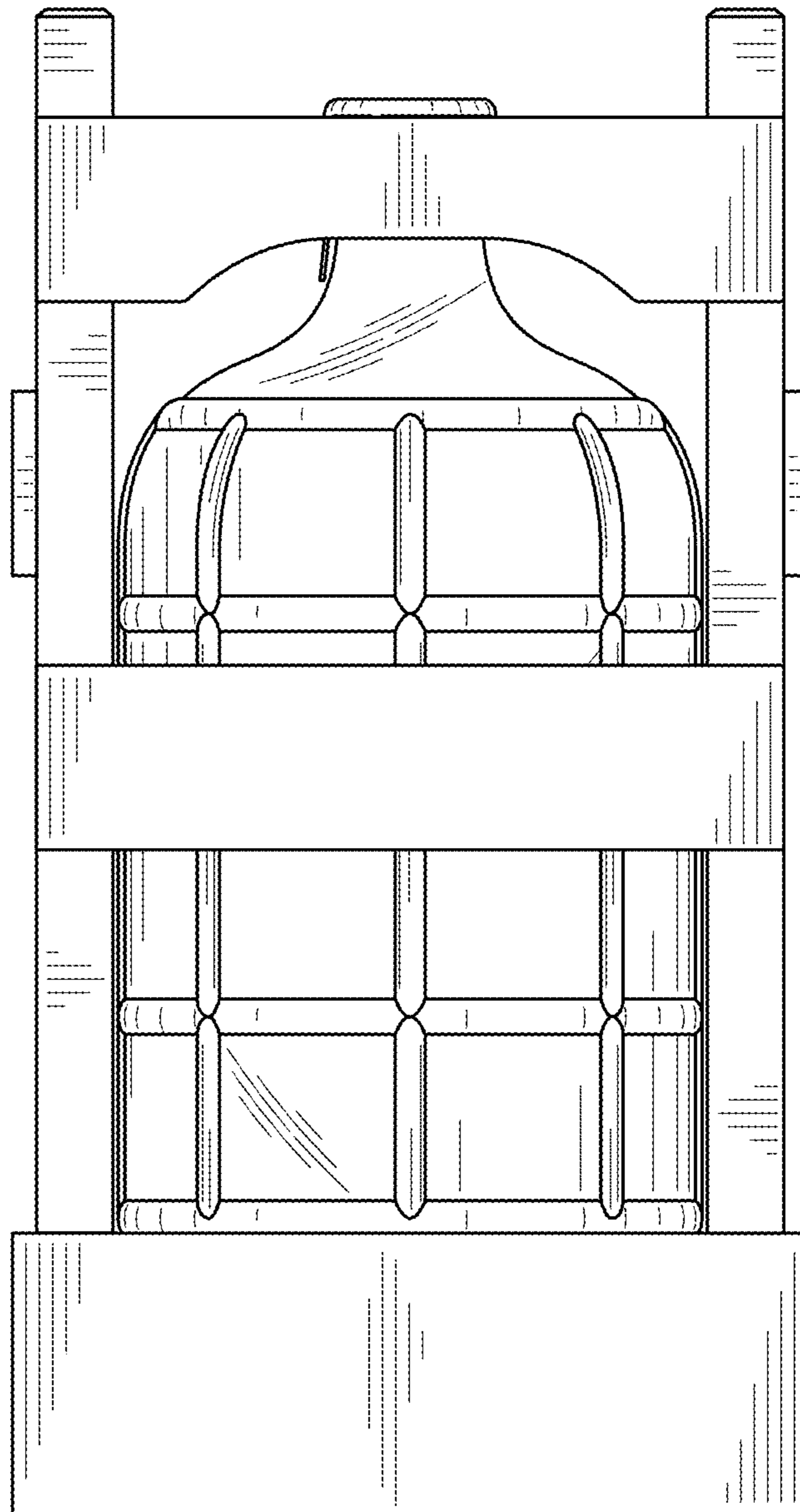


FIG. 2

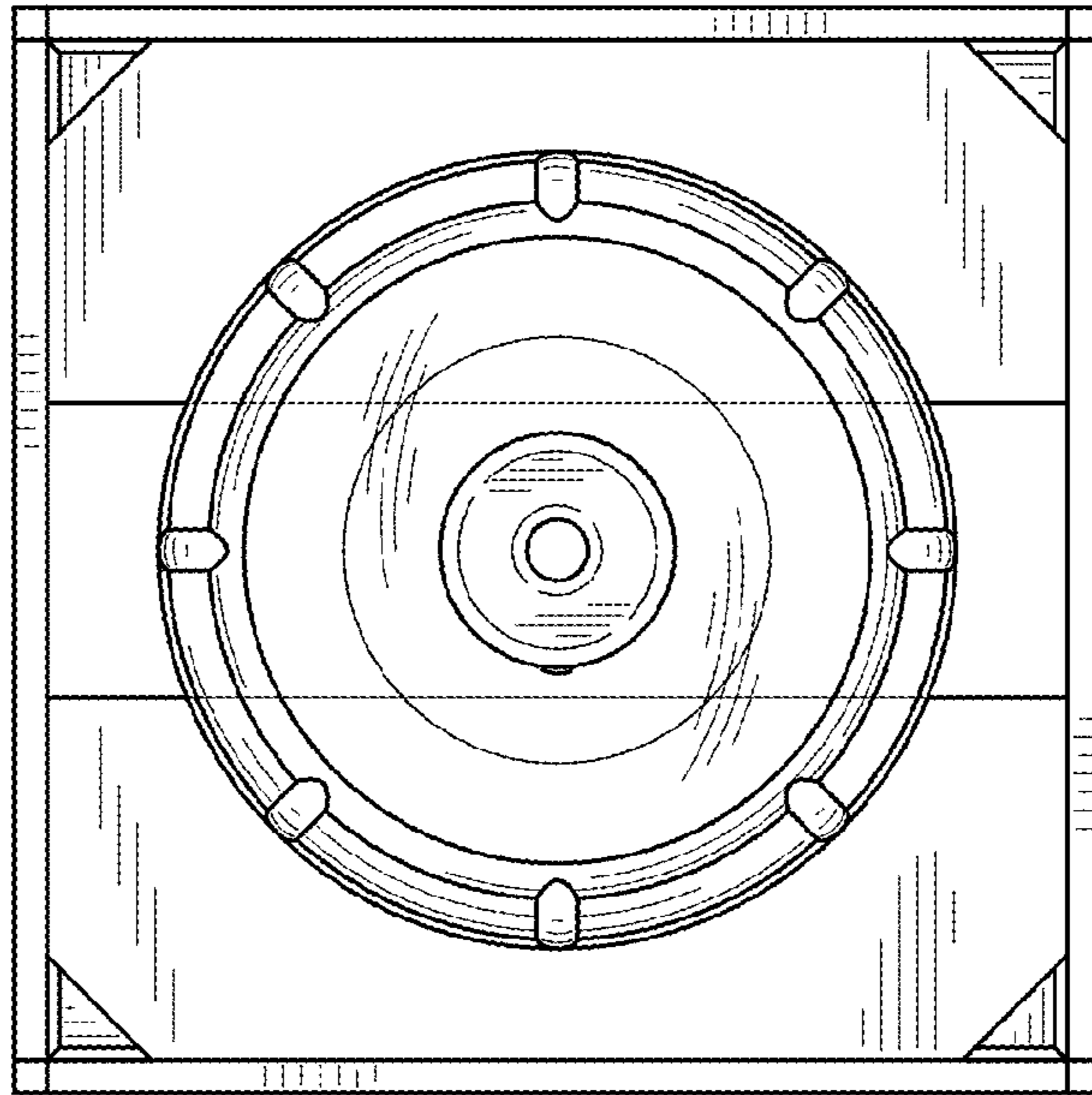


FIG. 3

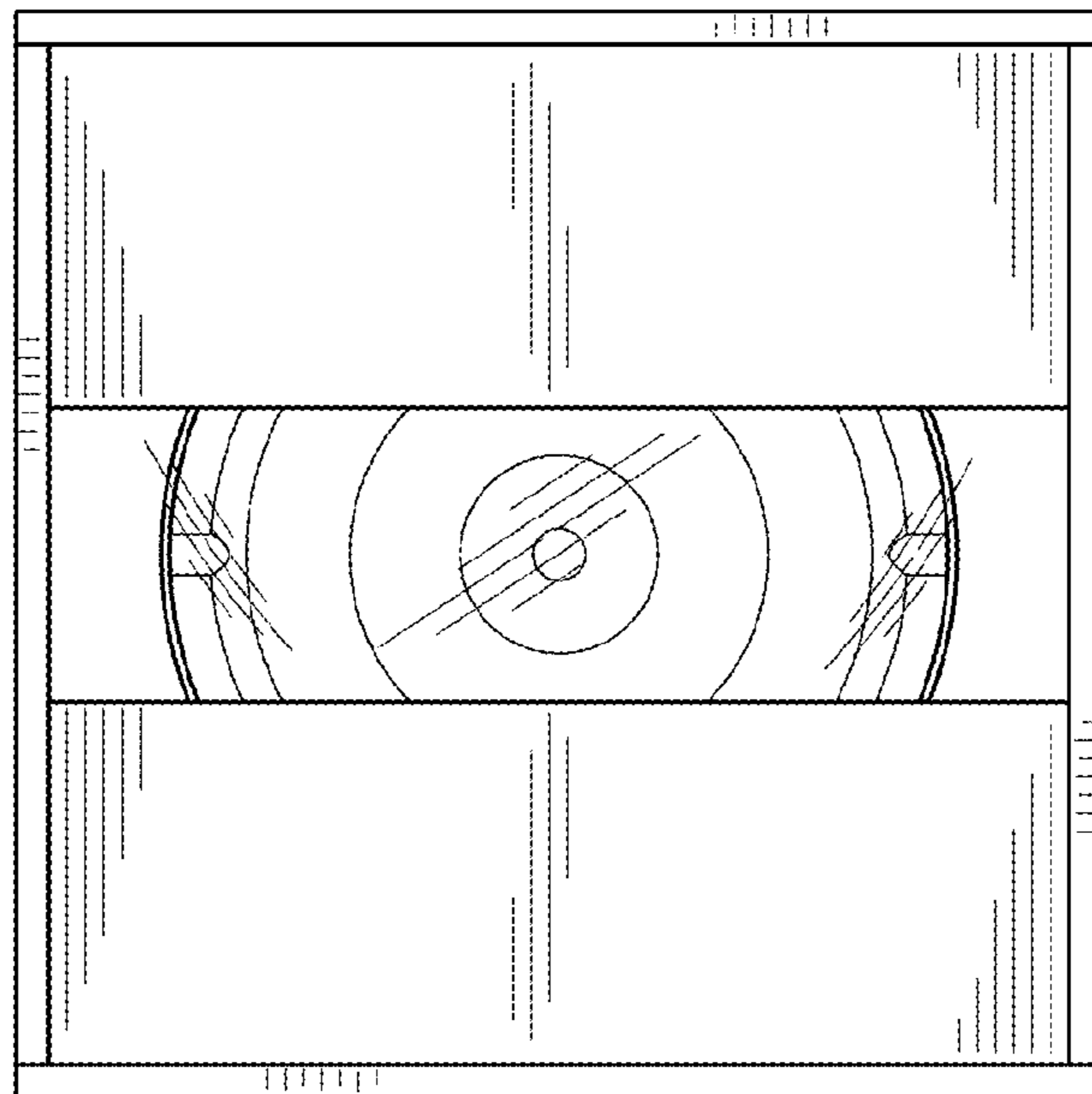


FIG. 4

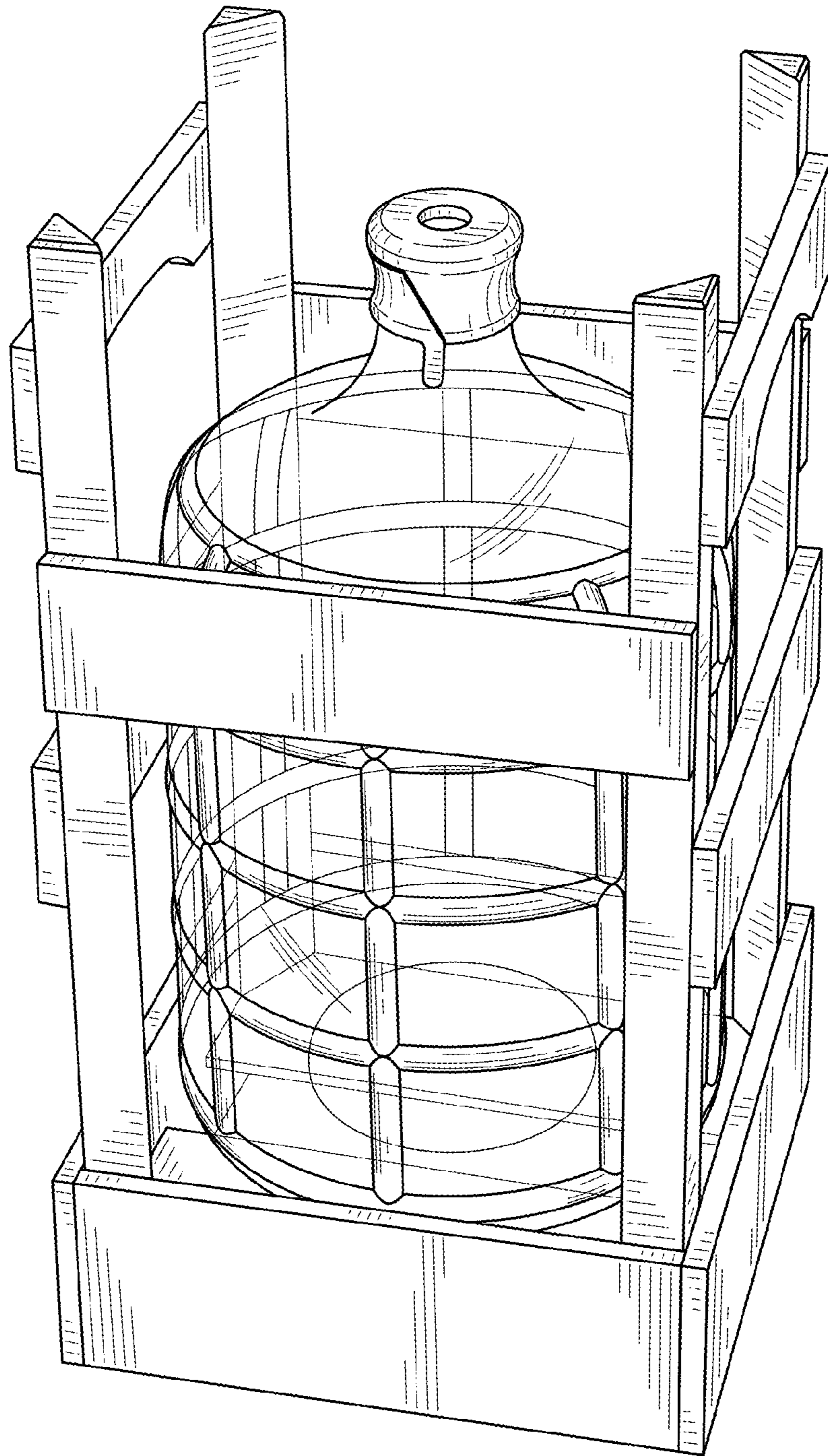


FIG. 5

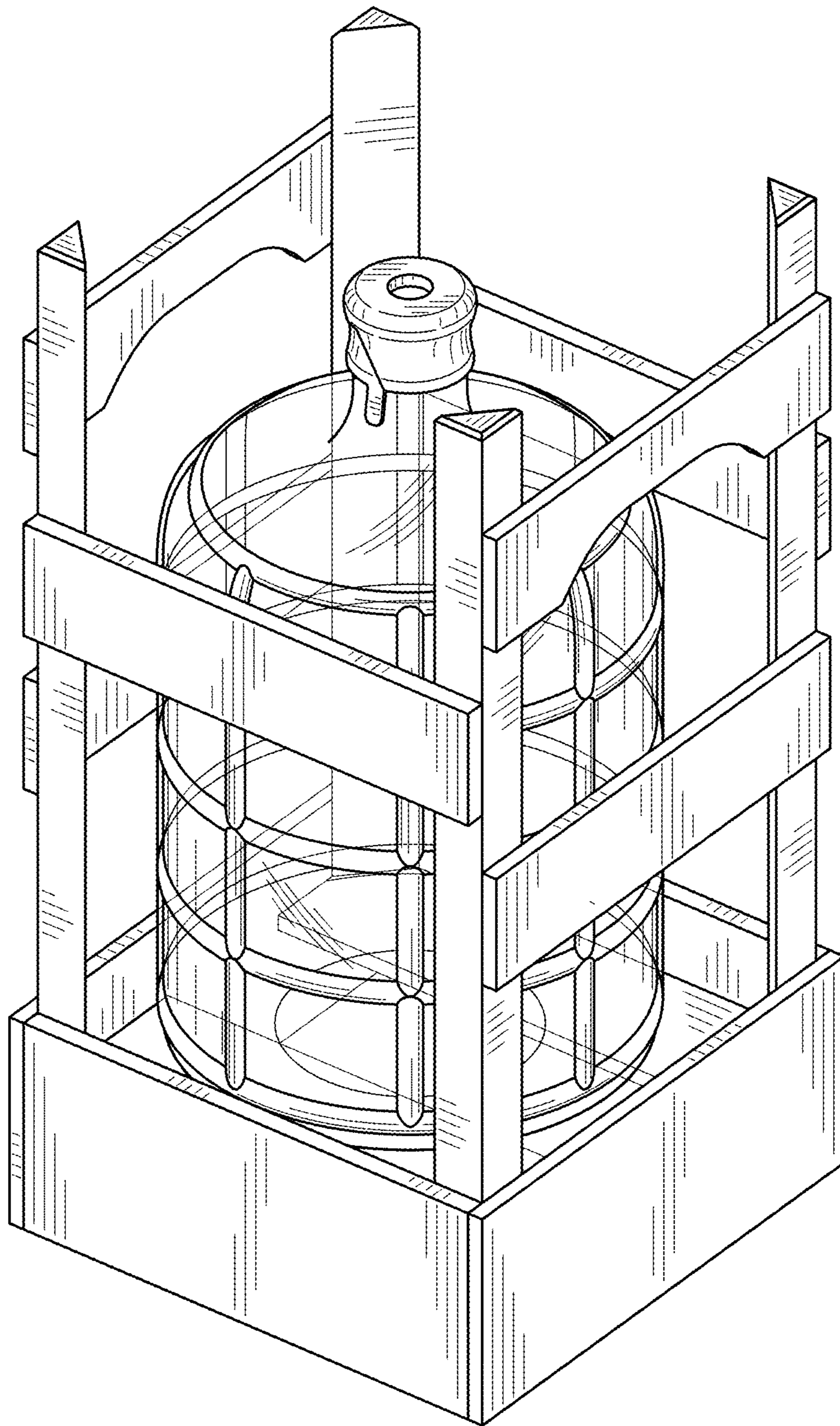


FIG. 6

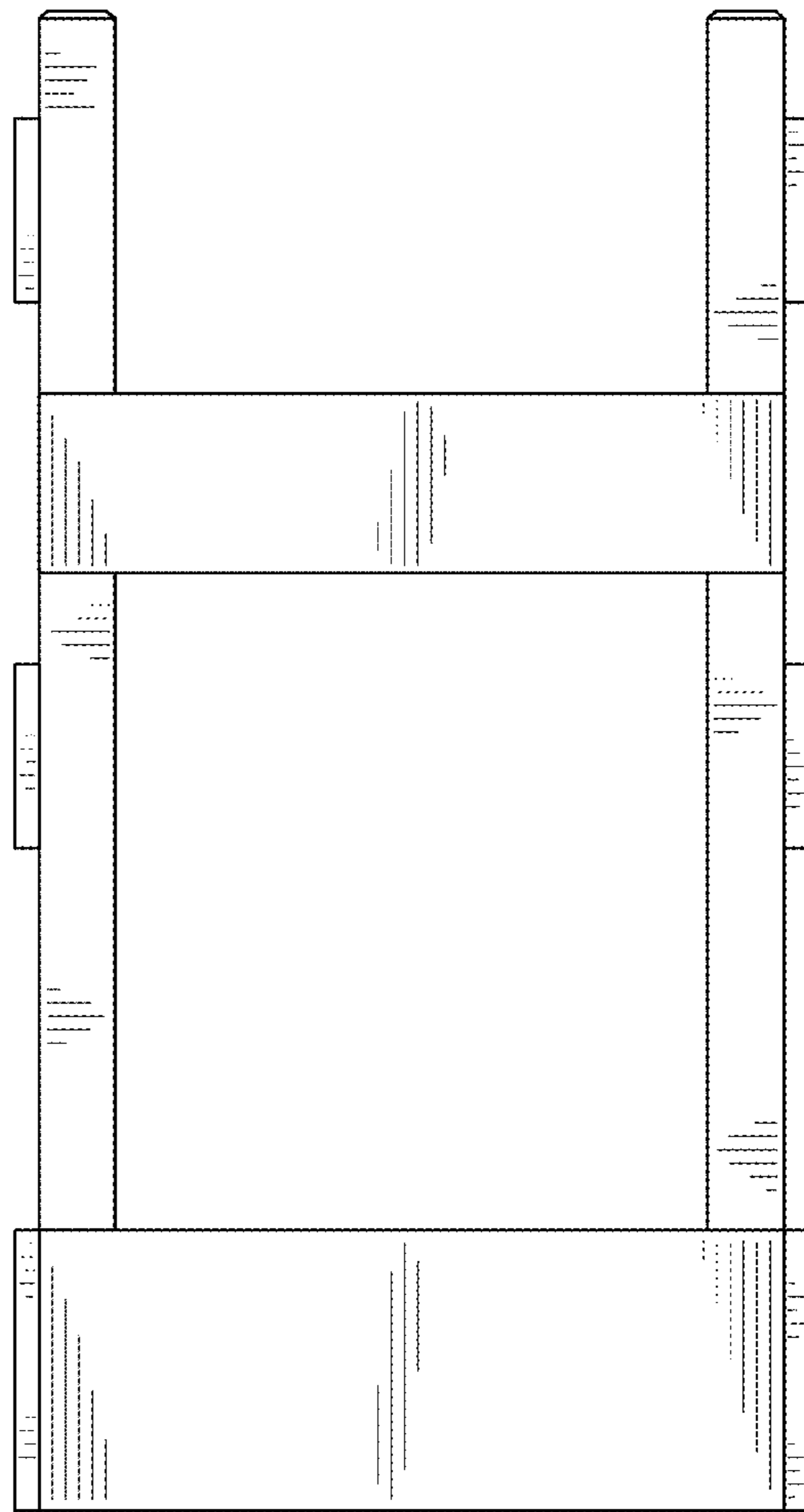
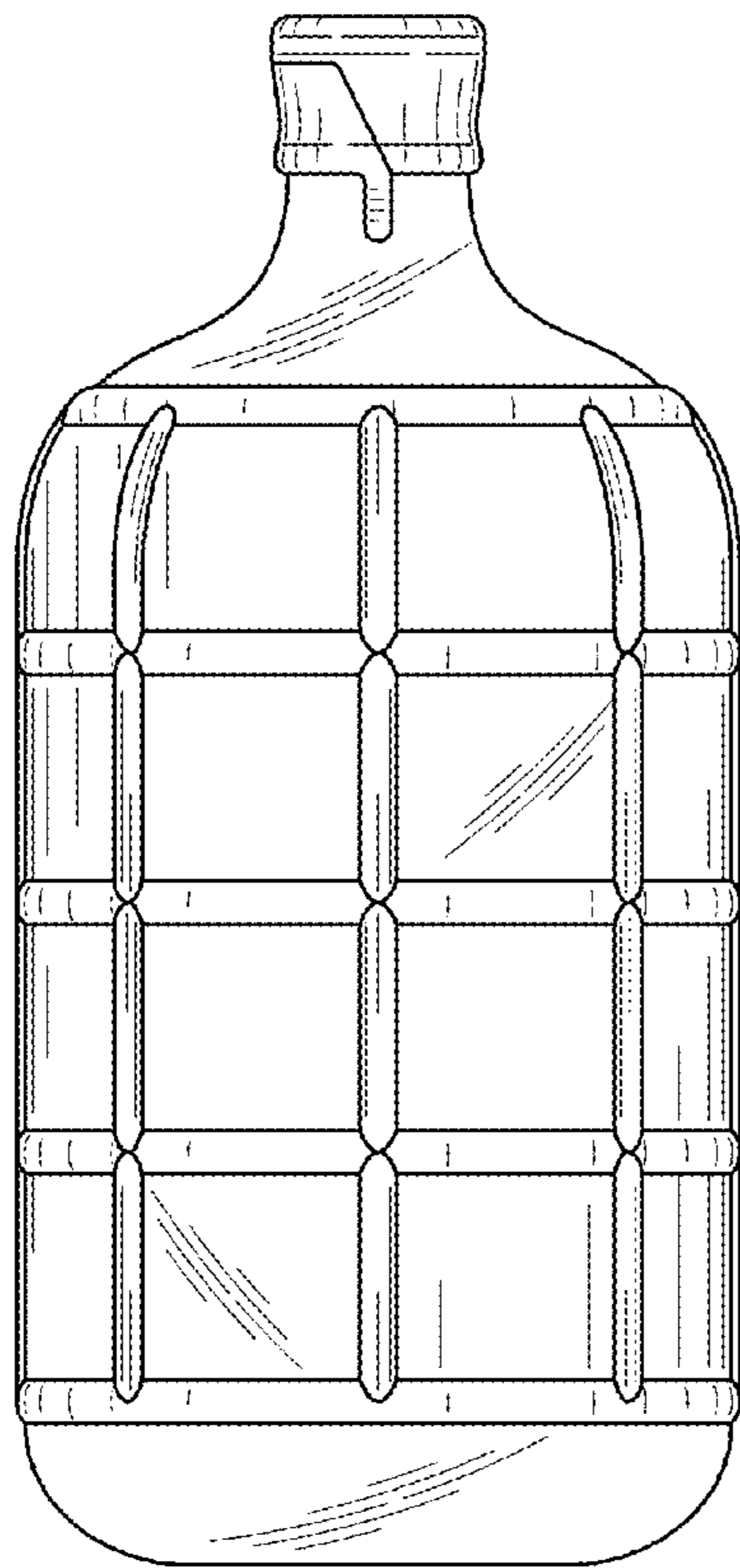


FIG. 7