



US00D750962S

(12) **United States Design Patent**  
**Liu**

(10) **Patent No.:** **US D750,962 S**  
(45) **Date of Patent:** **\*\* Mar. 8, 2016**

(54) **DISPENSER**

(71) Applicants: **CANAMERICA, LLC**, Brookline, MA (US); **Chun Chin Liu**, Brookline, MA (US)

(72) Inventor: **Chun Chin Liu**, Brookline, MA (US)

(\*\*) Term: **14 Years**

(21) Appl. No.: **29/495,703**

(22) Filed: **Jul. 3, 2014**

(30) **Foreign Application Priority Data**

Mar. 28, 2014 (TW) ..... 103301600D02

(51) **LOC (10) Cl.** ..... **09-07**

(52) **U.S. Cl.**  
USPC ..... **D9/448**; D6/542; D9/434; D9/435;  
D9/447

(58) **Field of Classification Search**

USPC ..... D6/542, 543, 544, 545; D9/443, 447,  
D9/448, 449, 450, 439, 457, 685, 686, 739,  
D9/759; D24/224; 222/207, 321.9, 321.1,  
222/321.7, 383.1, 383.2, 383.3  
CPC B05B 11/3028; B05B 11/3029; B05B 1/122;  
B67D 7/005; B67D 7/60

See application file for complete search history.

(56) **References Cited**

**U.S. PATENT DOCUMENTS**

3,820,689 A \* 6/1974 Cocita ..... B05B 11/3032  
222/207  
D392,887 S \* 3/1998 Wadsworth ..... D9/448  
D396,188 S \* 7/1998 Sayers ..... D9/448  
D413,793 S \* 9/1999 Favre ..... D9/692  
D443,202 S \* 6/2001 Boussiquet ..... D9/500  
D568,154 S \* 5/2008 Arminak ..... D9/448  
D705,059 S \* 5/2014 Hutchison ..... D9/447  
D706,135 S \* 6/2014 Hutchison ..... D9/447

D730,733 S \* 6/2015 O'Donahue ..... D9/448  
2009/0020552 A1 \* 1/2009 van der Heijden .... B05B 7/0037  
222/190  
2009/0110576 A1 \* 4/2009 Brouwer ..... B05B 11/3033  
417/472  
2012/0091229 A1 \* 4/2012 Laidler ..... B05B 7/0037  
239/330  
2013/0320042 A1 \* 12/2013 Santagiuliana .... B05B 11/3029  
222/207

**FOREIGN PATENT DOCUMENTS**

CA 135987 \* 1/2010  
JP D1409426 3/2011  
KR 300756338.0000 \* 8/2014  
TW D143526 S1 11/2011  
TW D149435 S1 10/2012

\* cited by examiner

*Primary Examiner* — Thomas Johannes  
*Assistant Examiner* — Catherine Posthauer

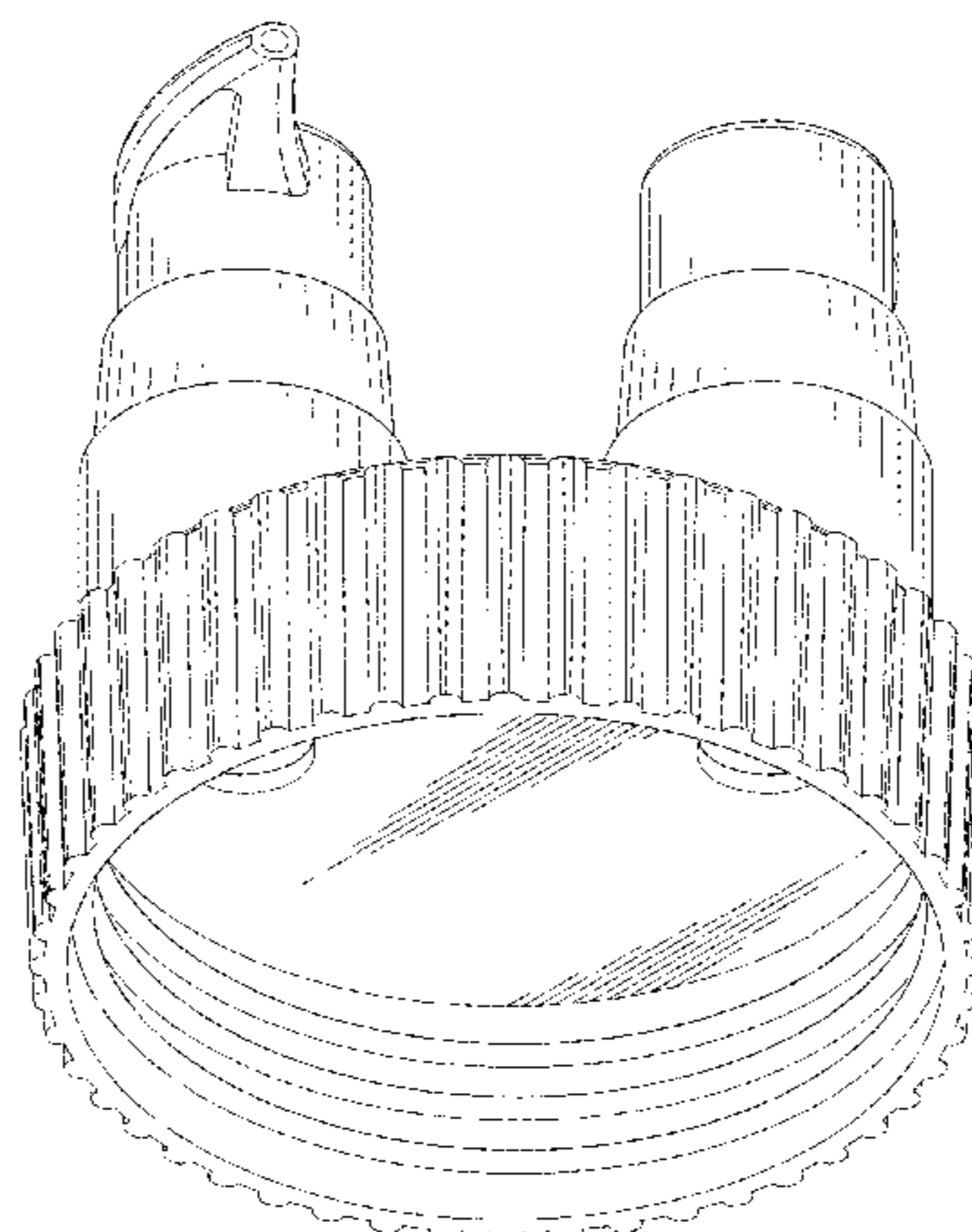
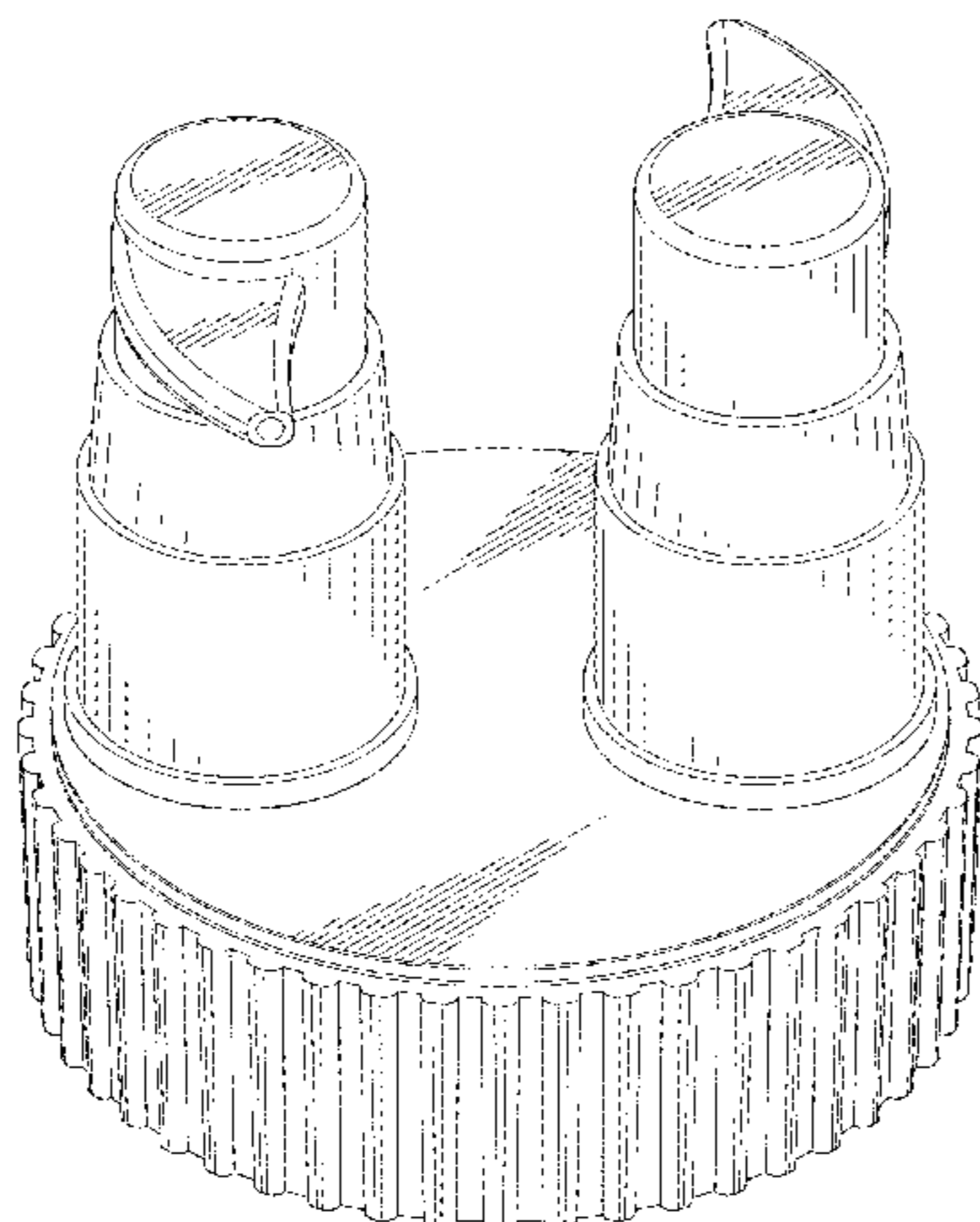
(57) **CLAIM**

The ornamental design for a dispenser, as shown and described.

**DESCRIPTION**

FIG. 1 is a perspective view of a dispenser showing our new design;  
FIG. 2 is a front view thereof;  
FIG. 3 is a rear view thereof;  
FIG. 4 is a left side view thereof;  
FIG. 5 is a right side view thereof;  
FIG. 6 is a top view thereof;  
FIG. 7 is a bottom view thereof; and  
FIG. 8 is a perspective view viewed from another visual angle thereof; and,  
FIG. 9 is a referential view thereof, showing a state in use.  
The broken lines are shown for the purpose of illustrating environmental structure that forms no part of the claimed design.

**1 Claim, 9 Drawing Sheets**



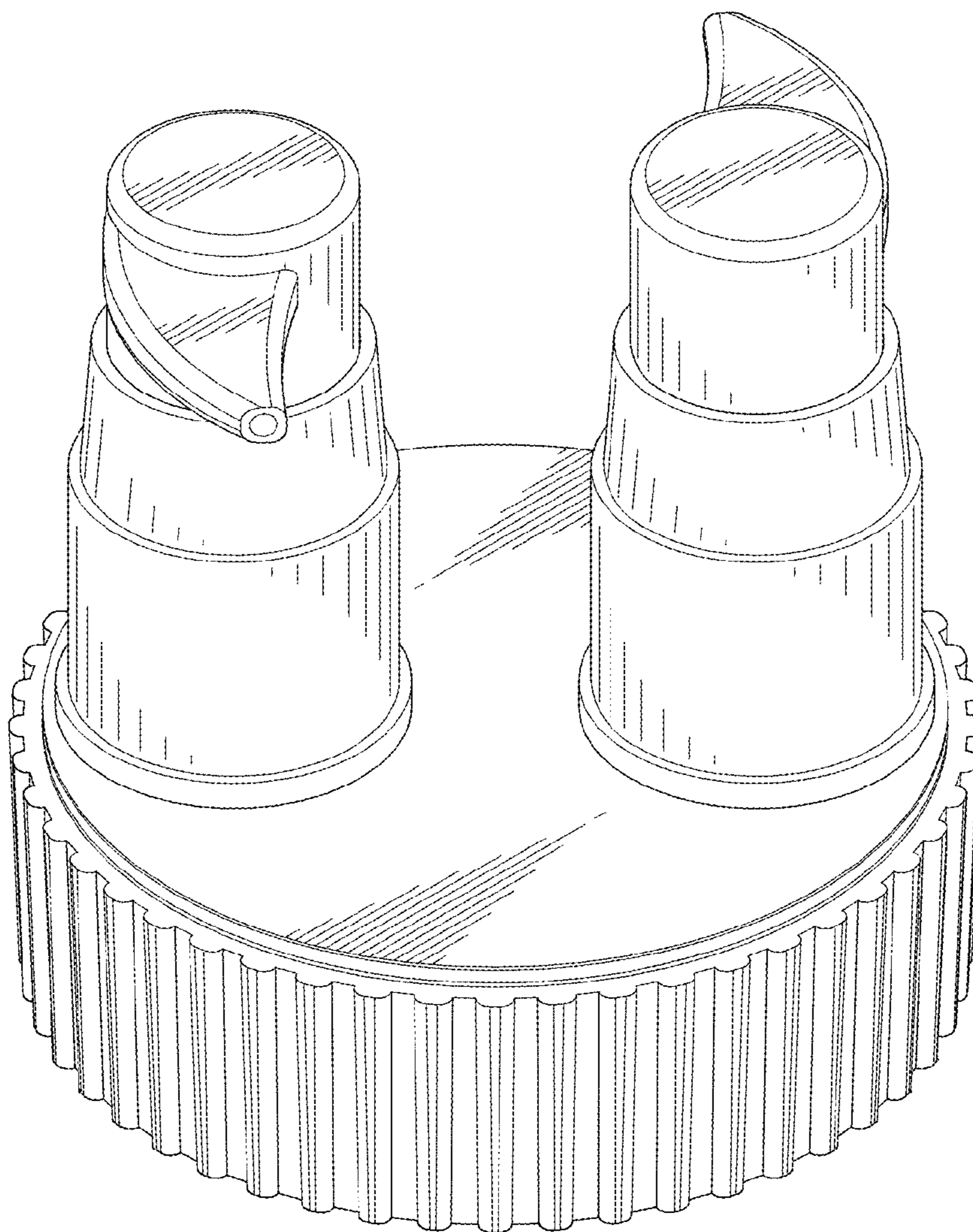


FIG.1

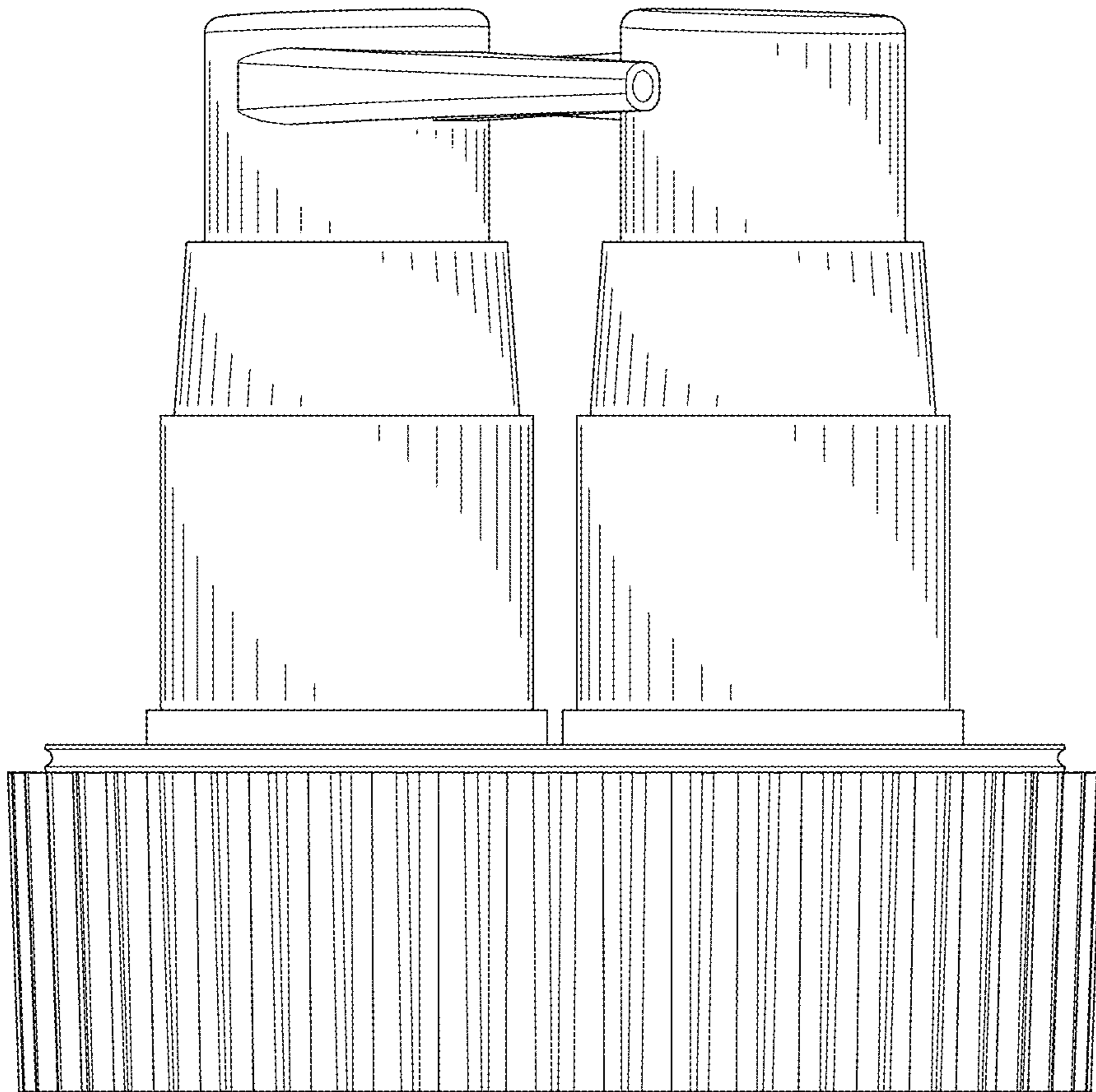


FIG.2

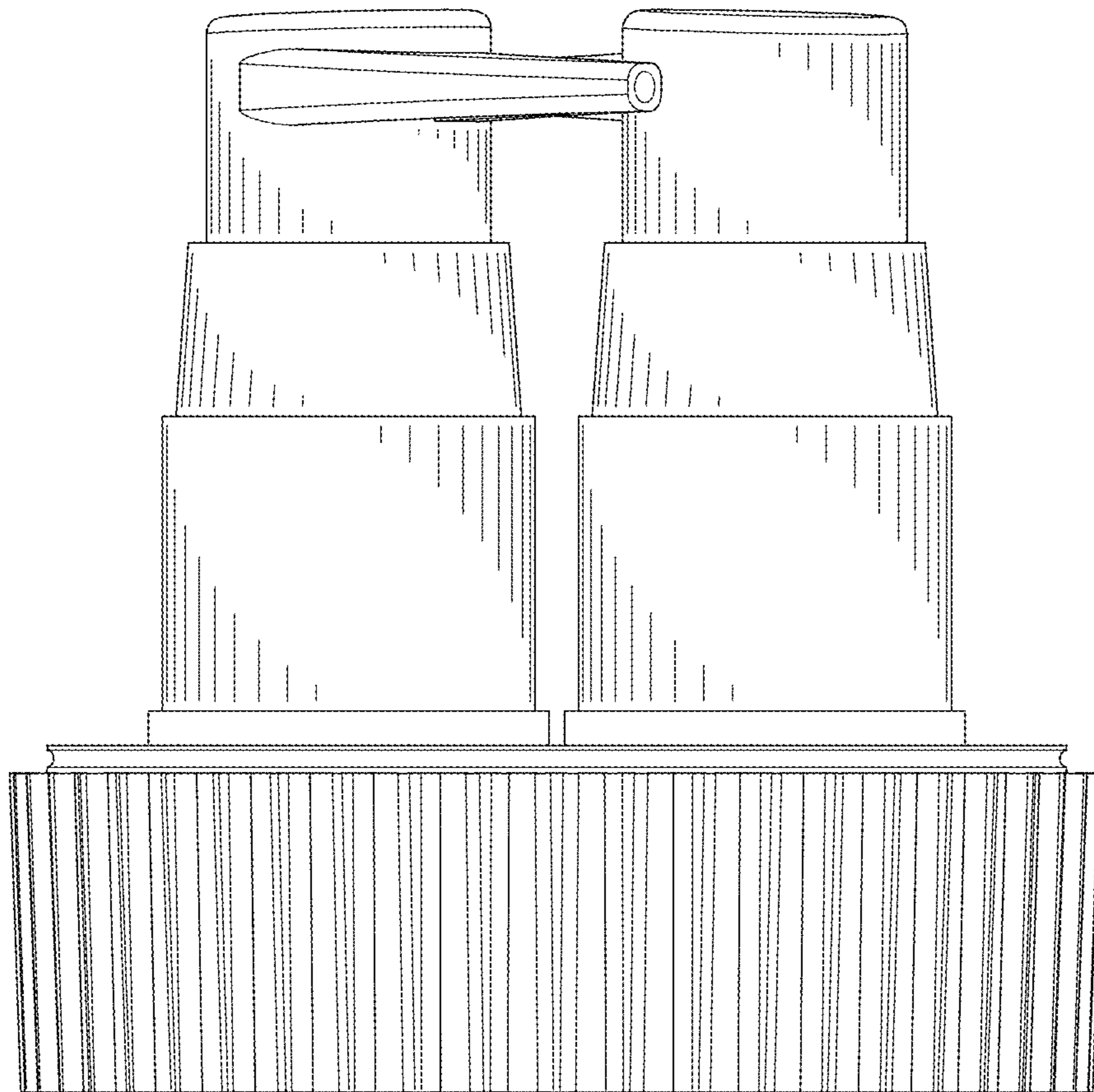


FIG.3

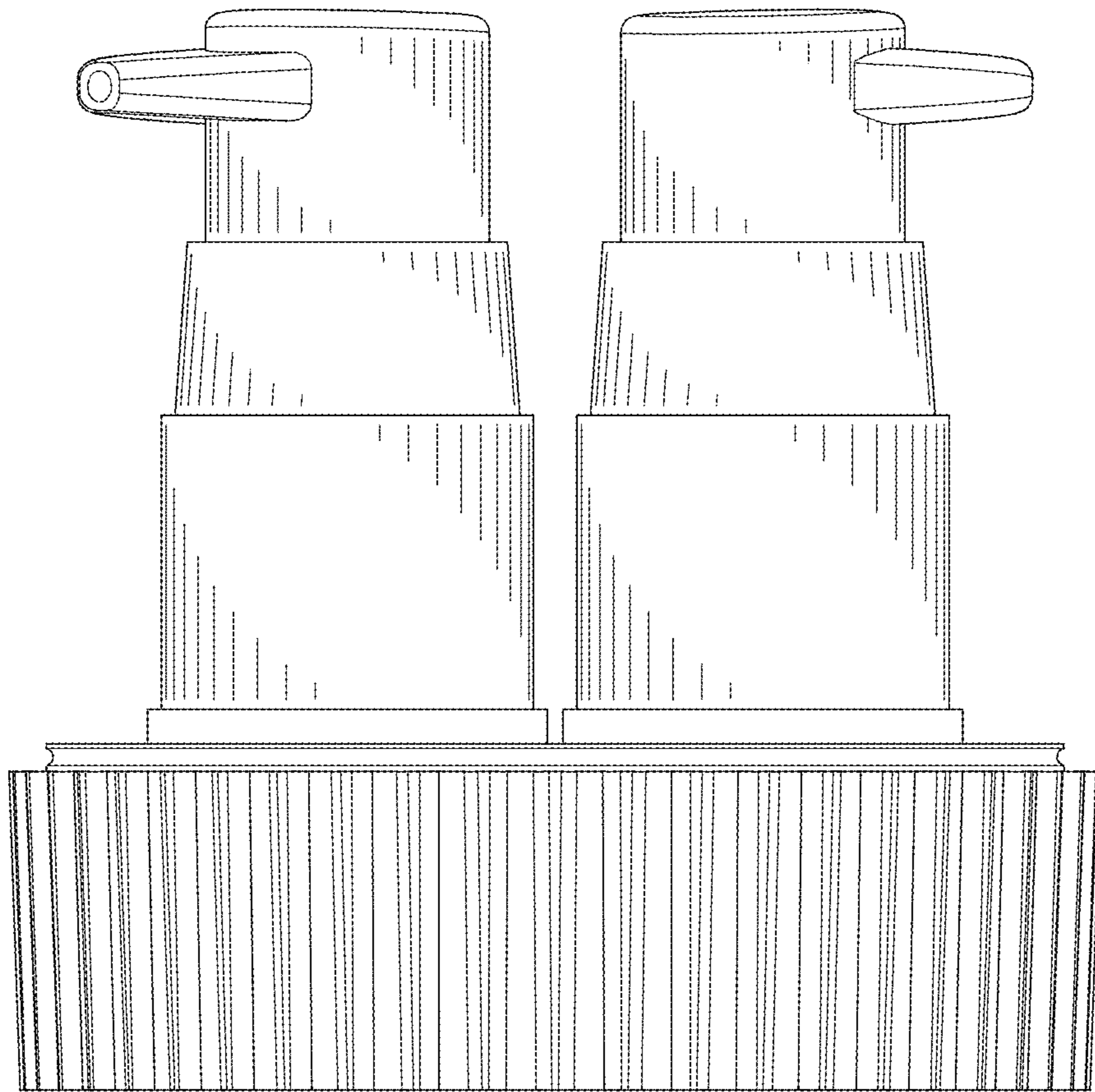


FIG.4

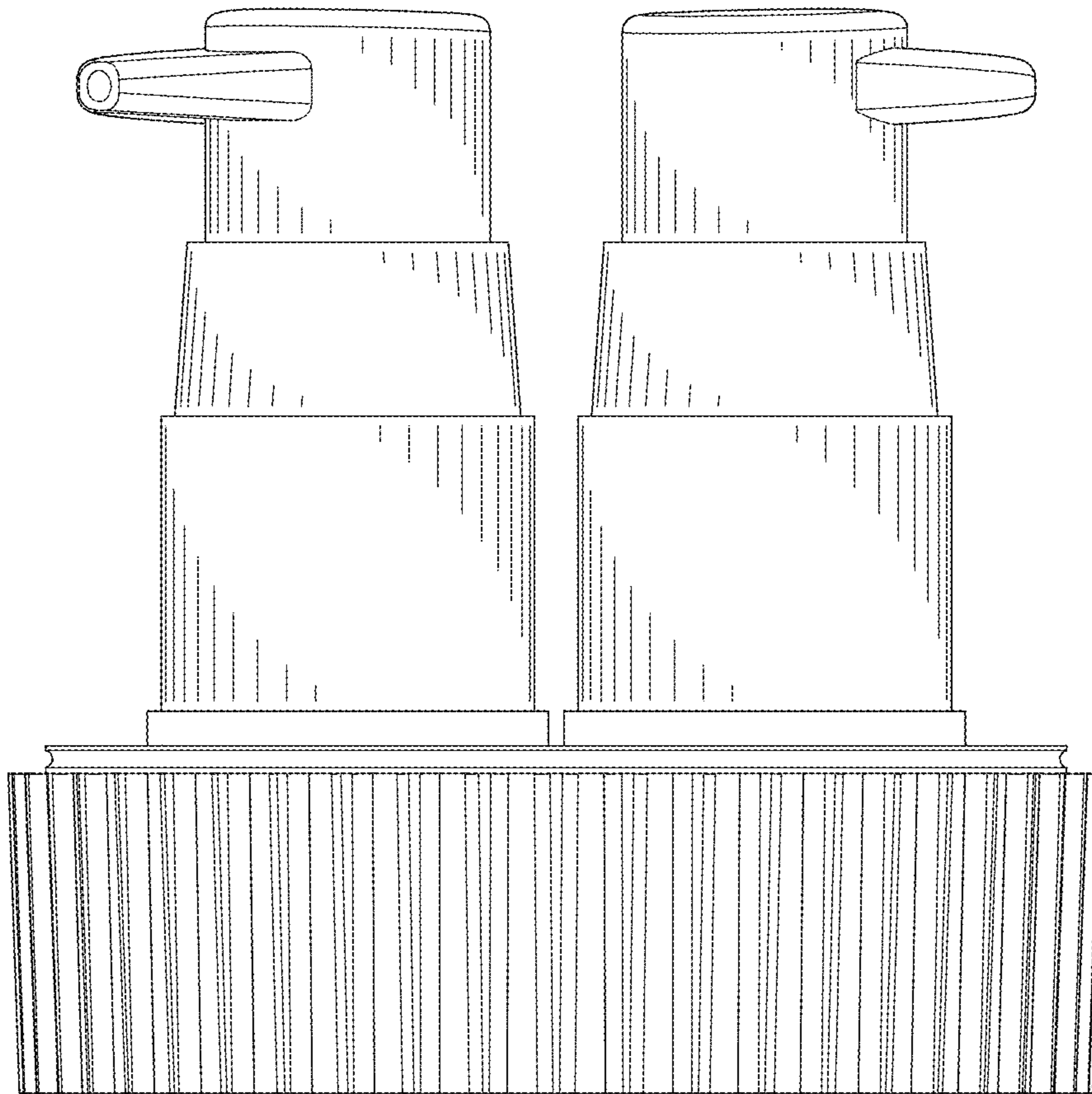


FIG.5

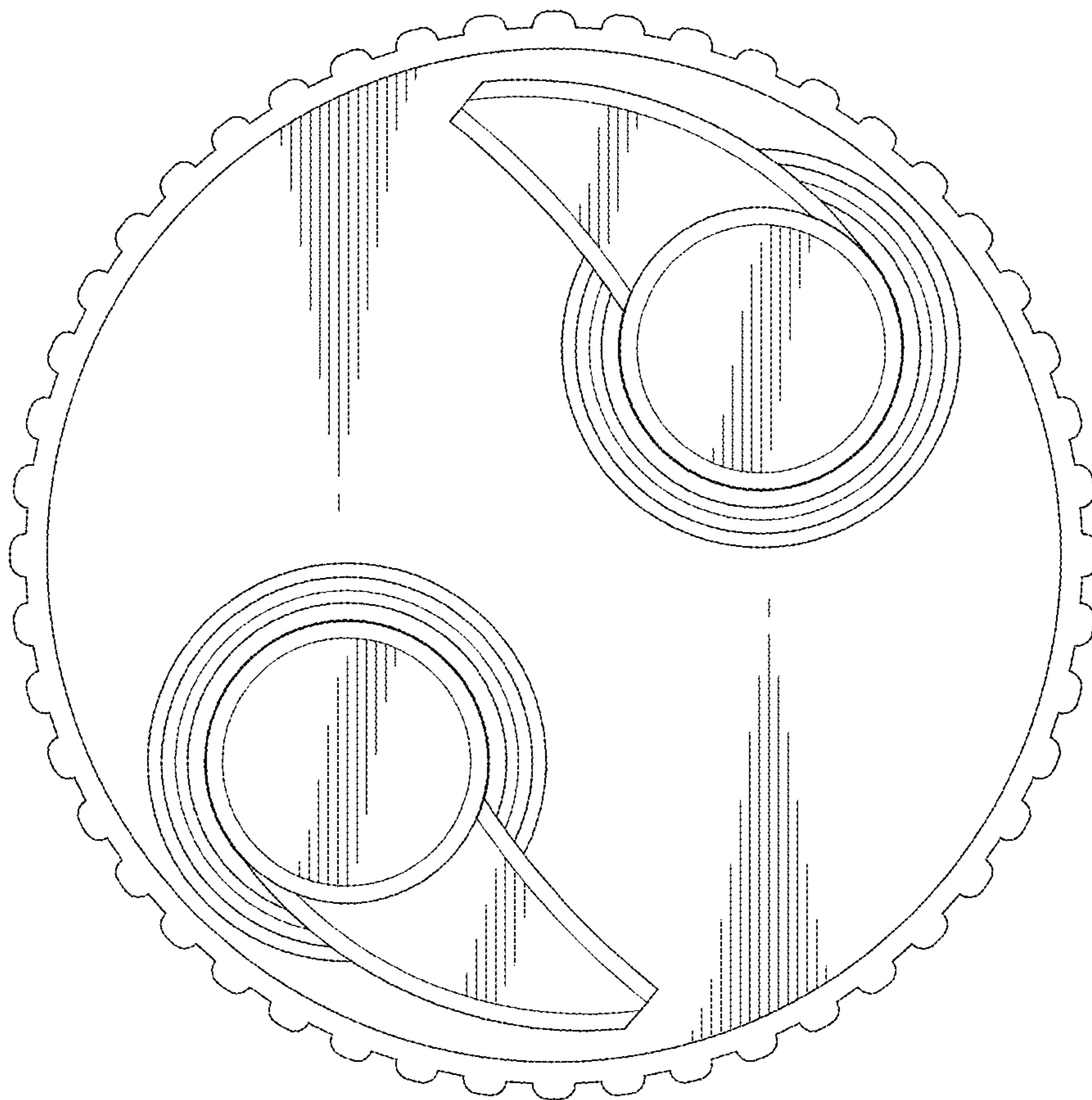


FIG.6

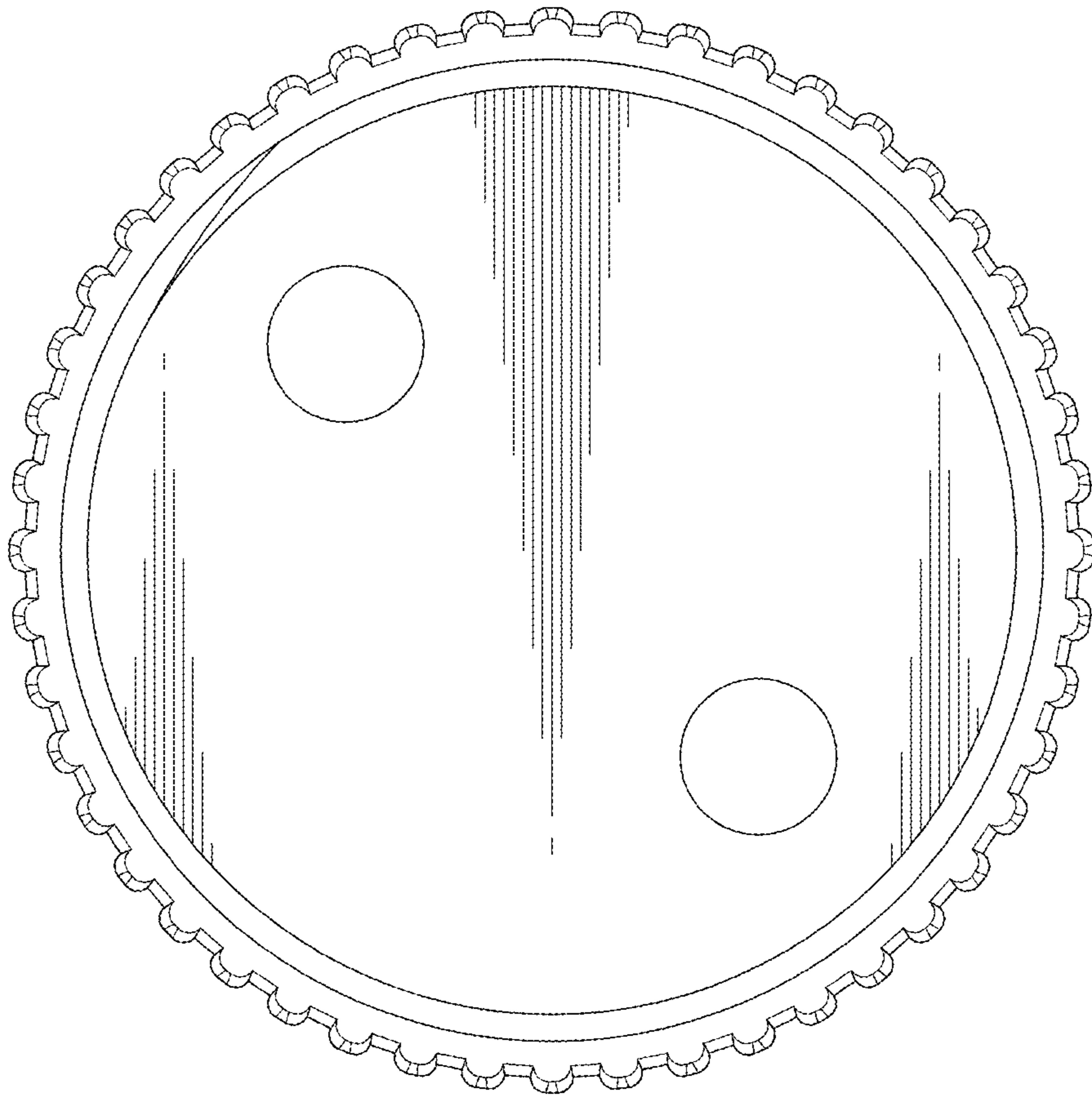


FIG.7



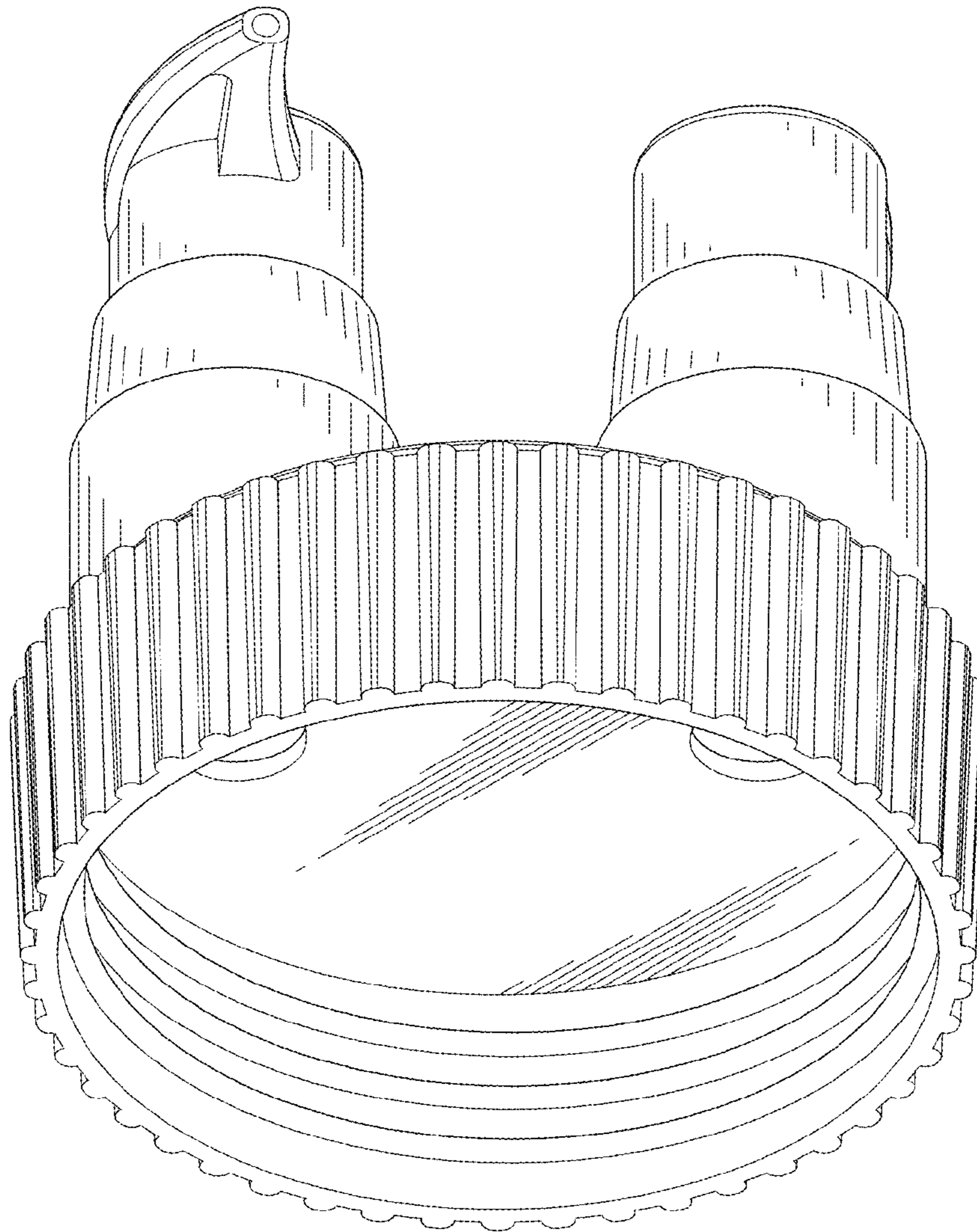


FIG.8

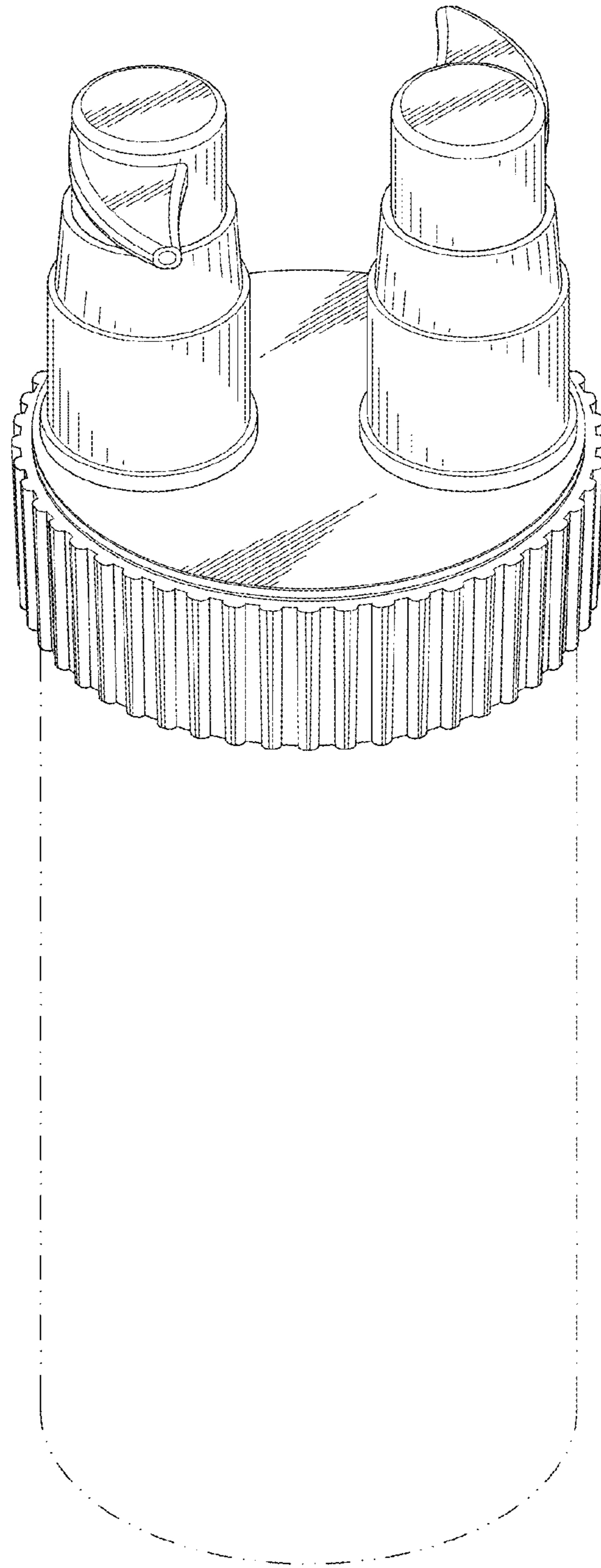


FIG.9