



US00D750960S

(12) **United States Design Patent**
Murray et al.

(10) **Patent No.:** **US D750,960 S**
(45) **Date of Patent:** **** Mar. 8, 2016**

(54) **BEVERAGE POD PACKAGE**

(71) Applicant: **DW Product Development Inc.**, Ottawa (CA)

(72) Inventors: **Justin Derek Murray**, Ottawa (CA);
Michael Georges Sirois, Ottawa (CA)

(73) Assignee: **DW Product Development Inc.**, Ottawa (CA)

(**) Term: **14 Years**

(21) Appl. No.: **29/494,278**

(22) Filed: **Jun. 19, 2014**

(30) **Foreign Application Priority Data**

Dec. 24, 2013 (CA) 154434

(51) **LOC (10) Cl.** **09-03**

(52) **U.S. Cl.**
USPC **D9/432**

(58) **Field of Classification Search**

USPC D9/414-419, 420-425, 428, 429-435,
D9/455-457, 600, 652, 667-679, 708, 719,
D9/734; D3/203.2, 272, 273, 294,
D3/302-304; D7/538-542, 601, 602, 629
CPC B65D 5/18; B65D 5/20; B65D 5/24;
B65D 5/28; B65D 5/30; B65D 5/42; B65D
5/46; B65D 5/70; B65D 5/74; B65D 5/546;
B65D 5/2038; B65D 5/2052; B65D 5/48018;
B65D 5/48022; B65D 5/665; B65D 25/00;
B65D 2585/366; B65D 85/00

See application file for complete search history.

(56) **References Cited**

U.S. PATENT DOCUMENTS

D26,298	S	*	11/1896	MacDonald	D9/432
D229,170	S	*	11/1973	Schipper	D9/418
D231,787	S	*	6/1974	Burnley	119/265
D369,100	S	*	4/1996	Johnson	D21/499
6,036,010	A	*	3/2000	Seyffert	B65D 5/4204 206/315.9
D427,524	S	*	7/2000	Weisz	D9/432
D455,073	S	*	4/2002	Mizrahi	D9/418
D483,200	S	*	12/2003	Udommahuntisuk	D6/407
D522,348	S	*	6/2006	Hansen	D8/354
D532,686	S	*	11/2006	Wijerama	D9/418
D616,045	S	*	5/2010	Tervo	D21/499
D639,742	S	*	6/2011	Doucet	D13/139.8
D682,681	S	*	5/2013	Oxer	D9/424
D718,631	S	*	12/2014	Pascalie	D9/418

* cited by examiner

Primary Examiner — Susan Bennett Hattan

Assistant Examiner — Vy Koenig

(74) *Attorney, Agent, or Firm* — Miltons IP/p.i.

(57) **CLAIM**

The ornamental design for a beverage pod package, as shown and described.

DESCRIPTION

FIG. 1 is a perspective view of the design as applied to a beverage pod package.

FIG. 2 is a top view of the design of FIG. 1.

FIG. 3 is a front view of the design of FIG. 1.

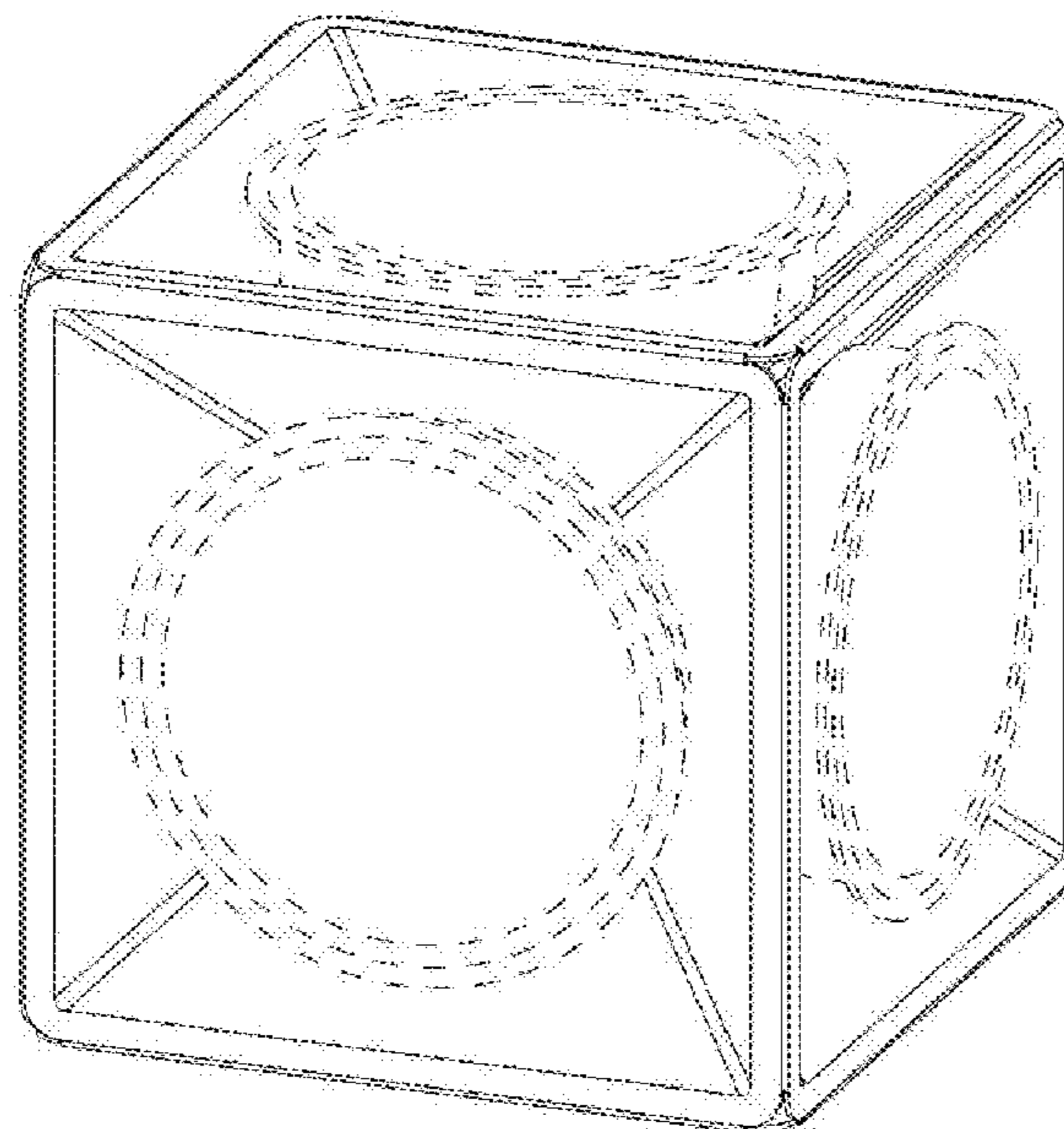
FIG. 4 is a side view of the design of FIG. 1.

FIG. 5 is a rear view of the design of FIG. 1; and,

FIG. 6 is a bottom view of the design of FIG. 1.

The portions shown in stipple lines in FIGS. 1 to 6 represent the beverage pods which the package is intended to hold and do not form part of the design.

1 Claim, 6 Drawing Sheets



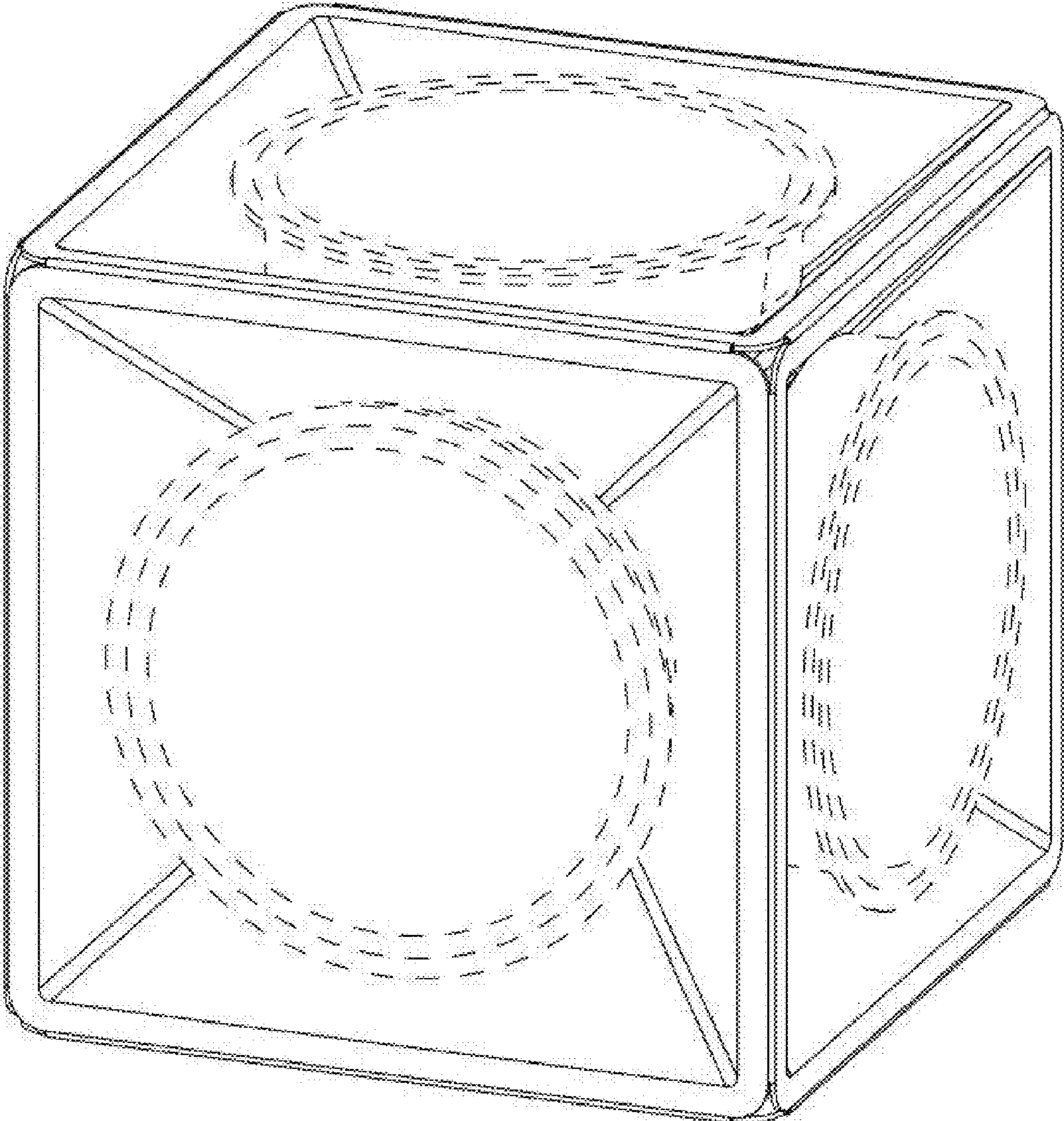


Figure 1

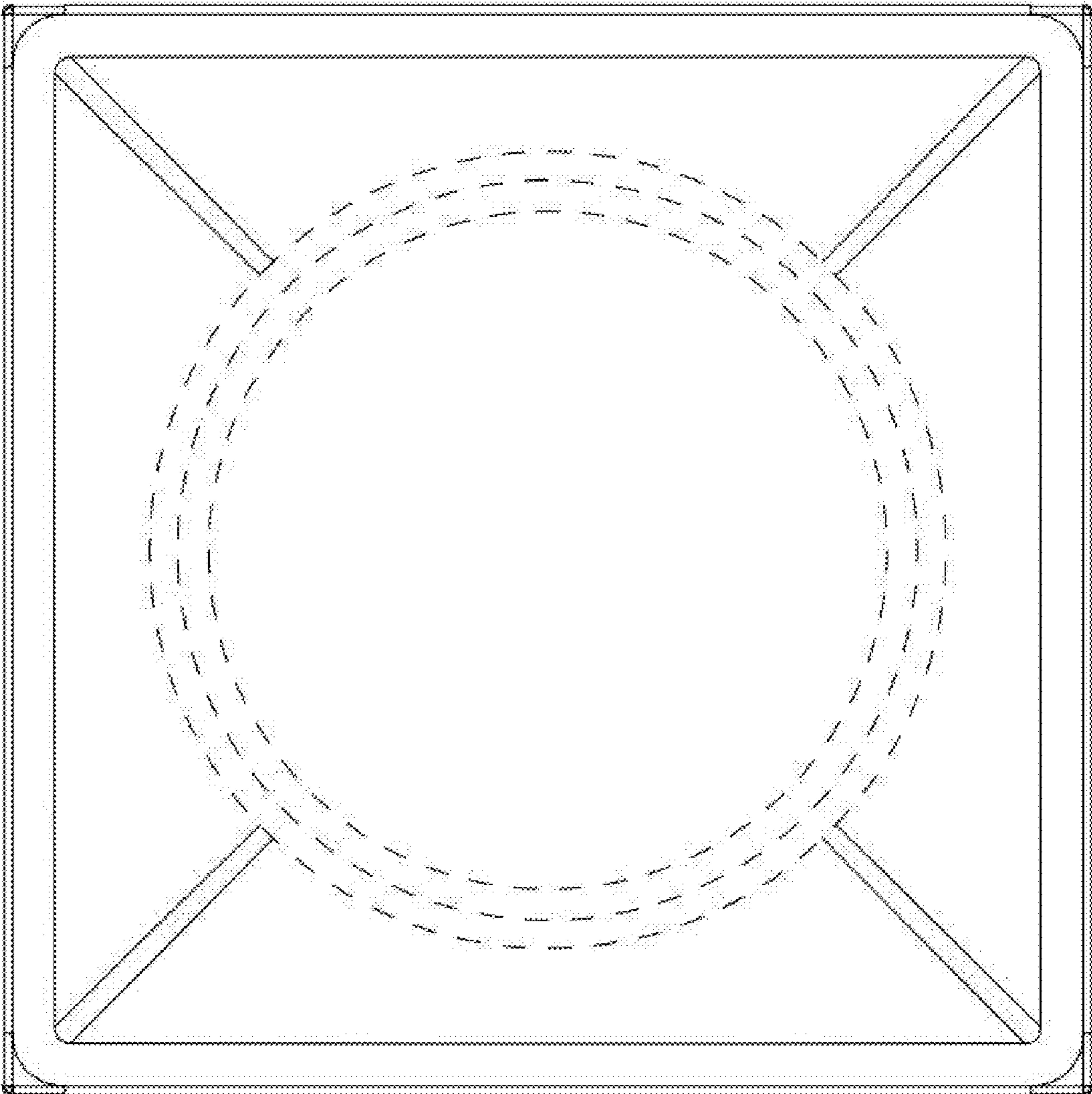


Figure 2

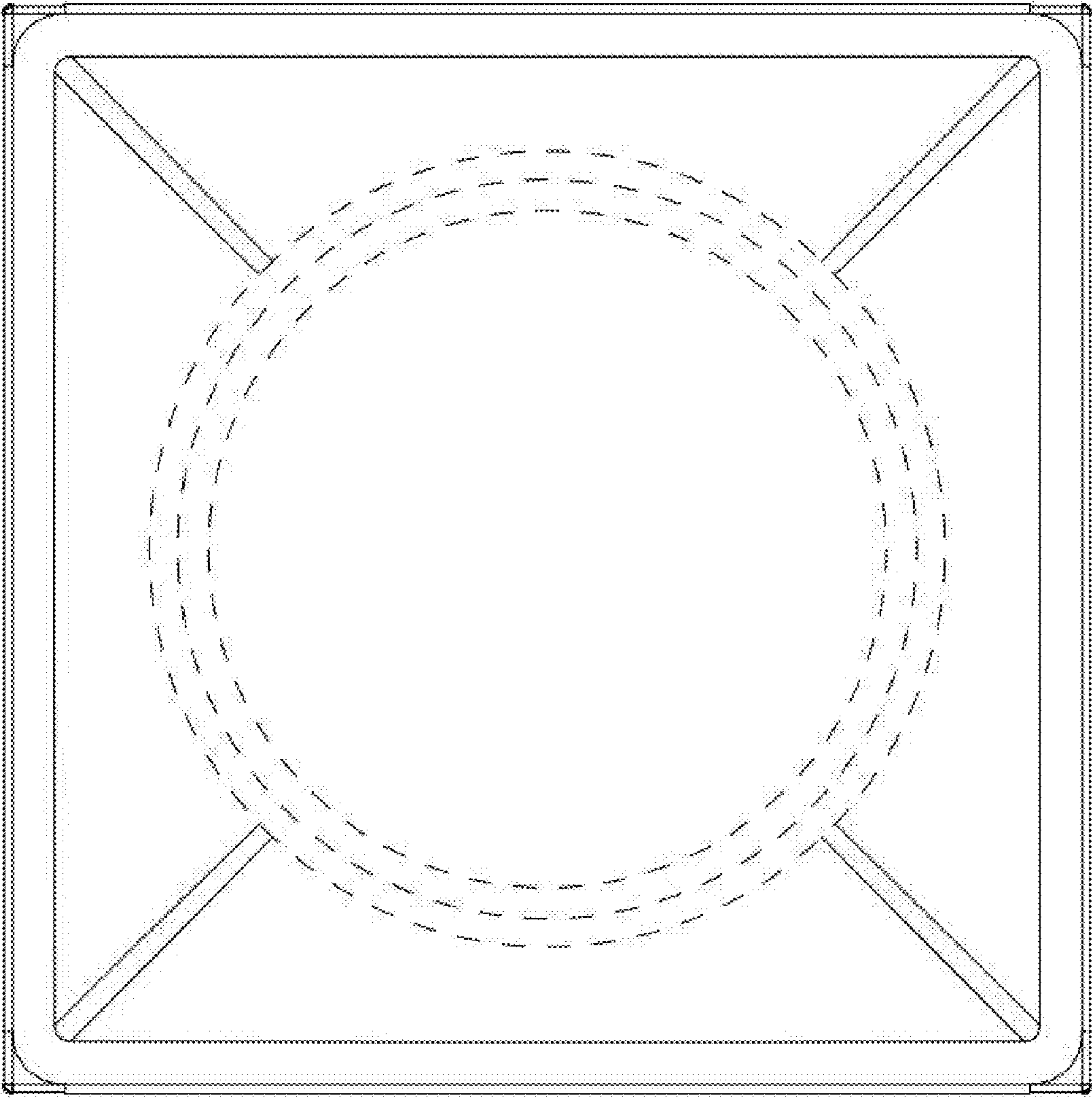


Figure 3

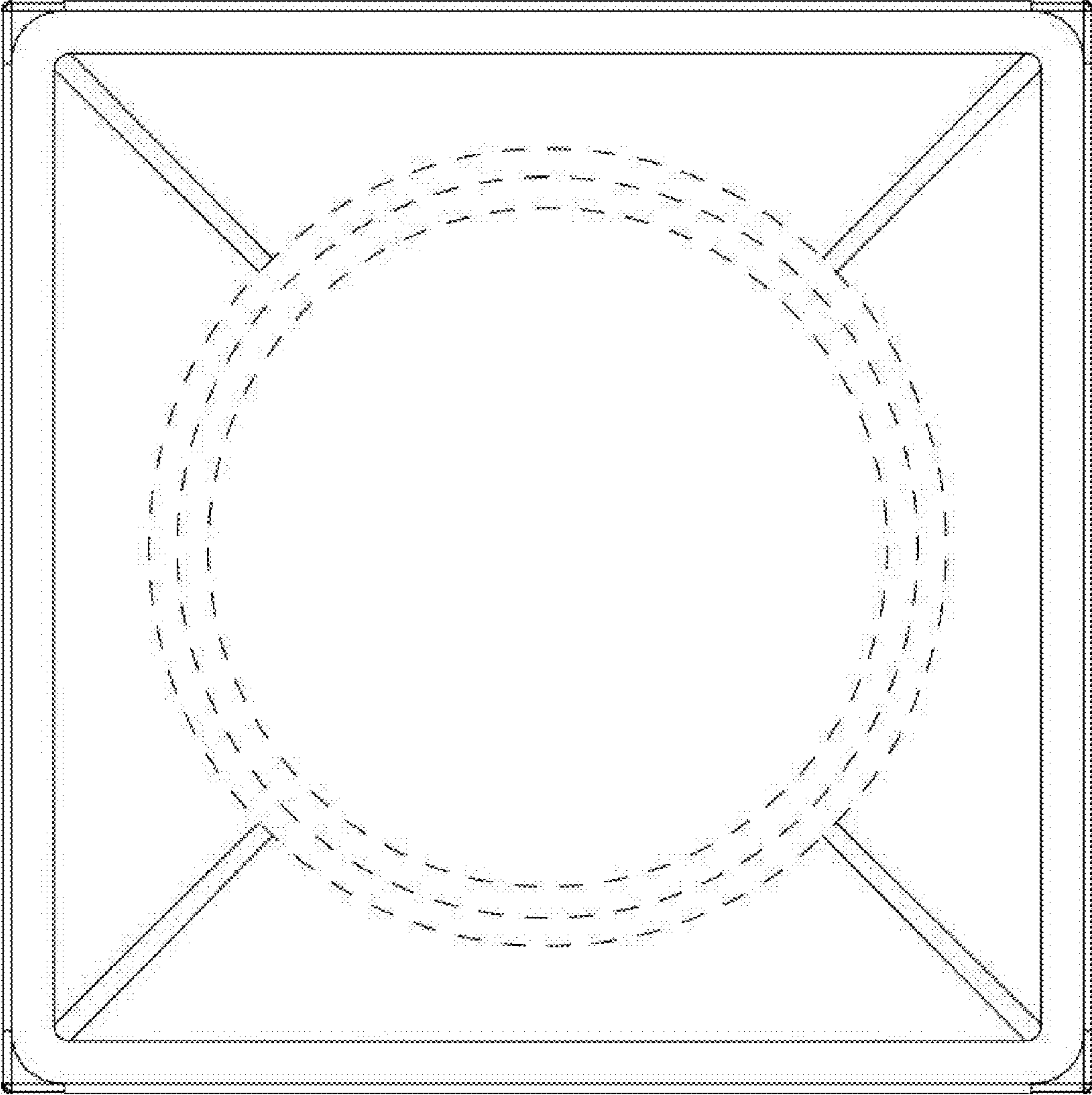


Figure 4

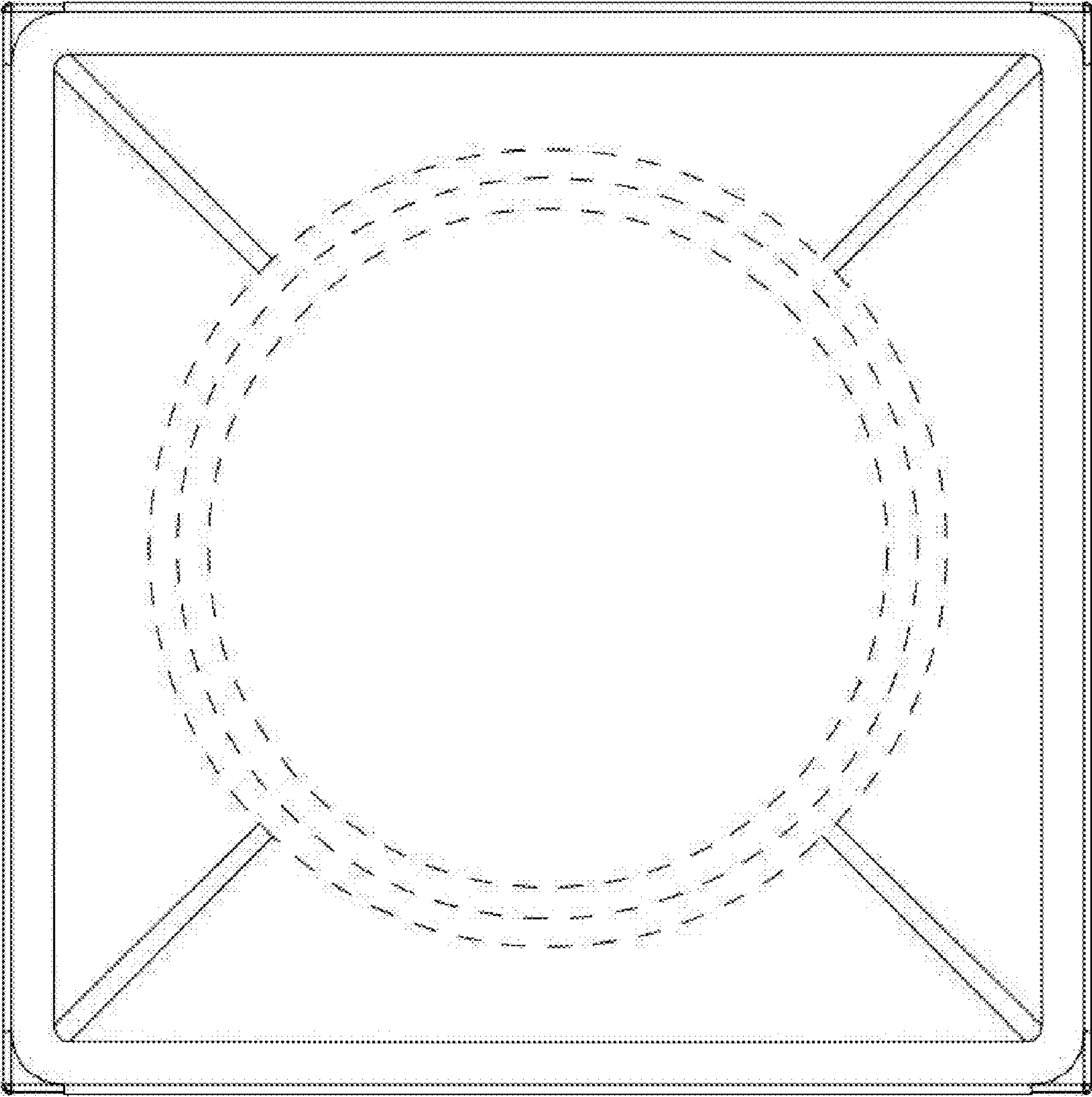


Figure 5

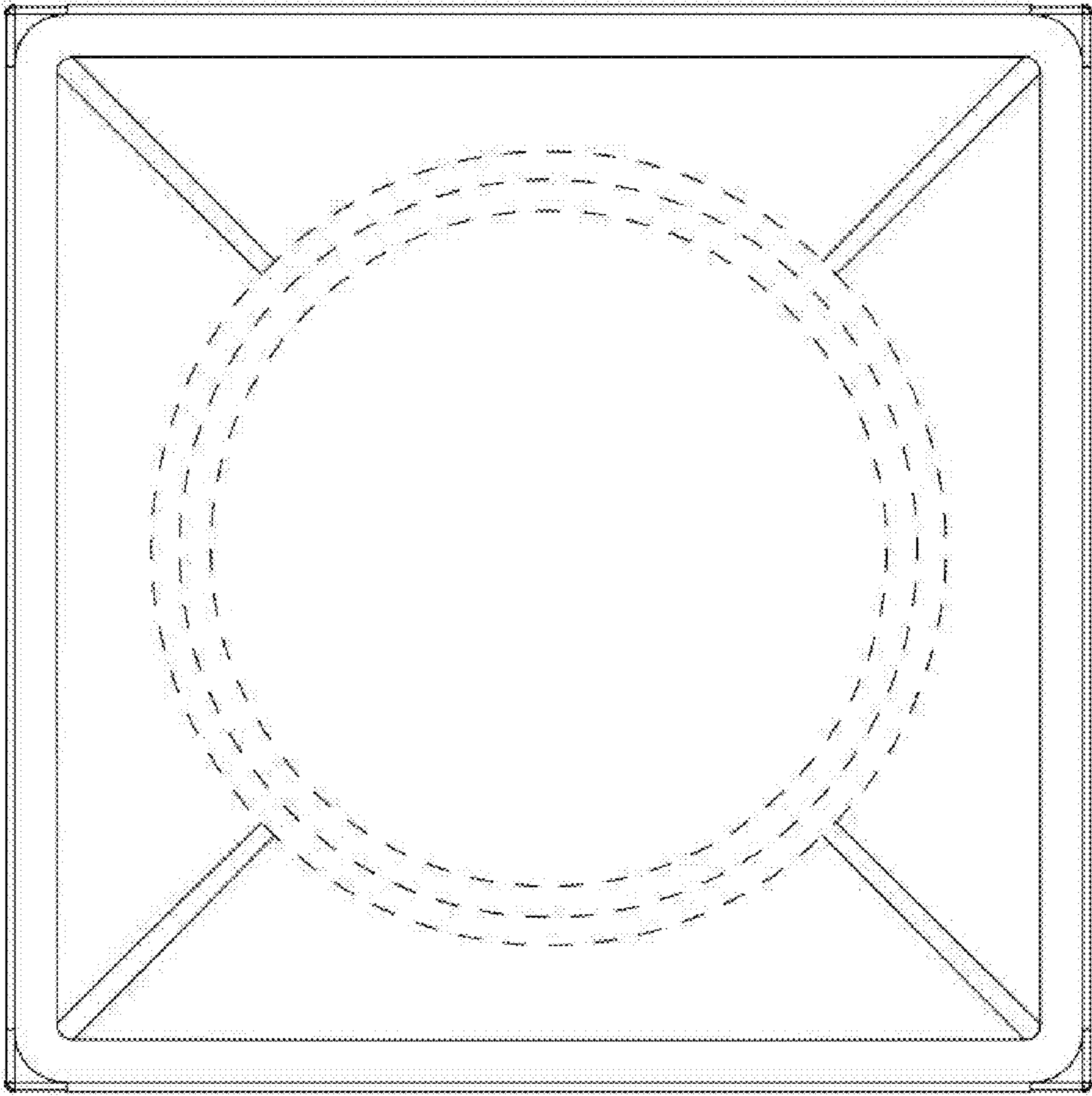


Figure 6