



US00D750958S

(12) **United States Design Patent**
Childs et al.

(10) **Patent No.:** **US D750,958 S**
(45) **Date of Patent:** **** Mar. 8, 2016**

(54) **VEHICLE FIRE EXTINGUISHER MOUNT**

(71) Applicant: **H3R Performance, Inc.**, Larkspur, CA (US)

(72) Inventors: **Larry Childs**, Cotati, CA (US); **Eugene Chizhov**, Petaluma, CA (US)

(73) Assignee: **H3R Performance, Inc.**, Larkspur, CA (US)

(**) Term: **14 Years**

(21) Appl. No.: **29/468,455**

(22) Filed: **Sep. 30, 2013**

(51) **LOC (10) Cl.** **08-08**

(52) **U.S. Cl.**
USPC **D8/396; D8/380**

(58) **Field of Classification Search**
USPC D8/396, 381, 397, 380, 383; D6/572, D6/574, 553, 705-706; D29/124-126, D29/129-130
CPC A62C 13/003; B60N 3/102; B60N 3/004; A47B 13/16; A47B 5/04; A47B 88/044; A47G 25/08; A47K 10/04
See application file for complete search history.

(56) **References Cited**

U.S. PATENT DOCUMENTS

1,043,950	A *	11/1912	Martin	108/5
2,435,151	A *	1/1948	Morgan	312/334.47
2,820,687	A *	1/1958	Waring	312/350
3,648,626	A *	3/1972	Schuster	108/42
3,899,982	A *	8/1975	Fetzek	108/25

(Continued)

FOREIGN PATENT DOCUMENTS

CN	301634577	*	8/2011
GB	4019407	*	4/2011
JP	D1151008	*	8/2002

OTHER PUBLICATIONS

Pelican Parts fire extinguisher mounting M Petry blog date May 2003, online, site visited Jun. 3, 2015, <http://forums.pelicanparts.com/porsche-911-technical-forum/4824-16-fire-extinguisher-mounting.html>.*

(Continued)

Primary Examiner — John Windmuller

Assistant Examiner — John R Yeh

(74) *Attorney, Agent, or Firm* — Gordon Rees Scully Mansukhani LLP

(57) **CLAIM**

The ornamental design for a vehicle fire extinguisher mount, as shown and described.

DESCRIPTION

FIG. 1 is an exploded top plan view of the vehicle fire extinguisher mount.

FIG. 2 is an assembled top plan view of the vehicle fire extinguisher mount.

FIG. 3 is a view similar to FIG. 2, but with the vehicle fire extinguisher mount contracted and the side arms rotated to the position as also seen in FIG. 7.

FIG. 4 is a rear elevation view of the vehicle fire extinguisher mount.

FIG. 5 is a left side elevation view of the vehicle fire extinguisher mount.

FIG. 6 is a view similar to FIG. 5, but with the side arm rotated to a second position.

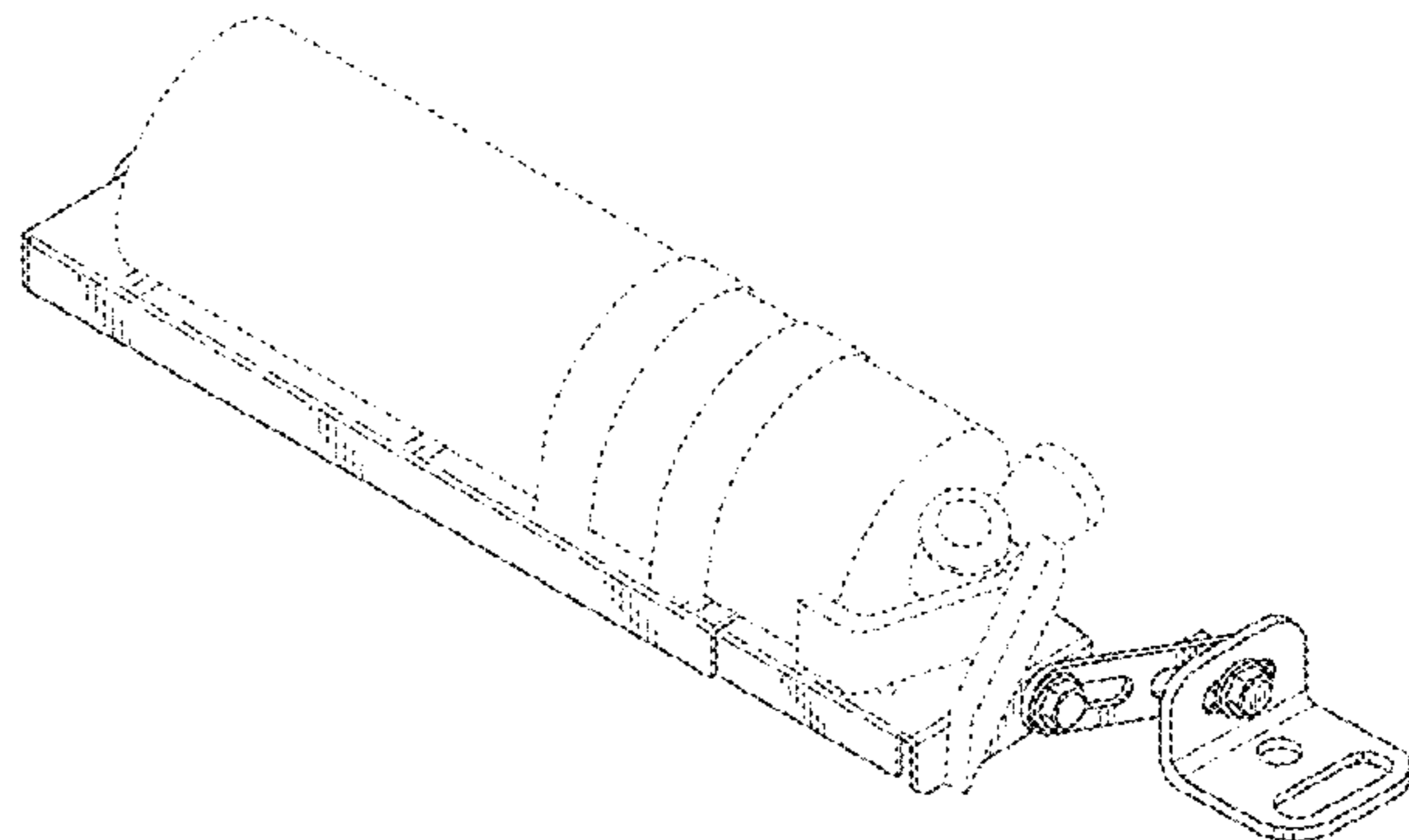
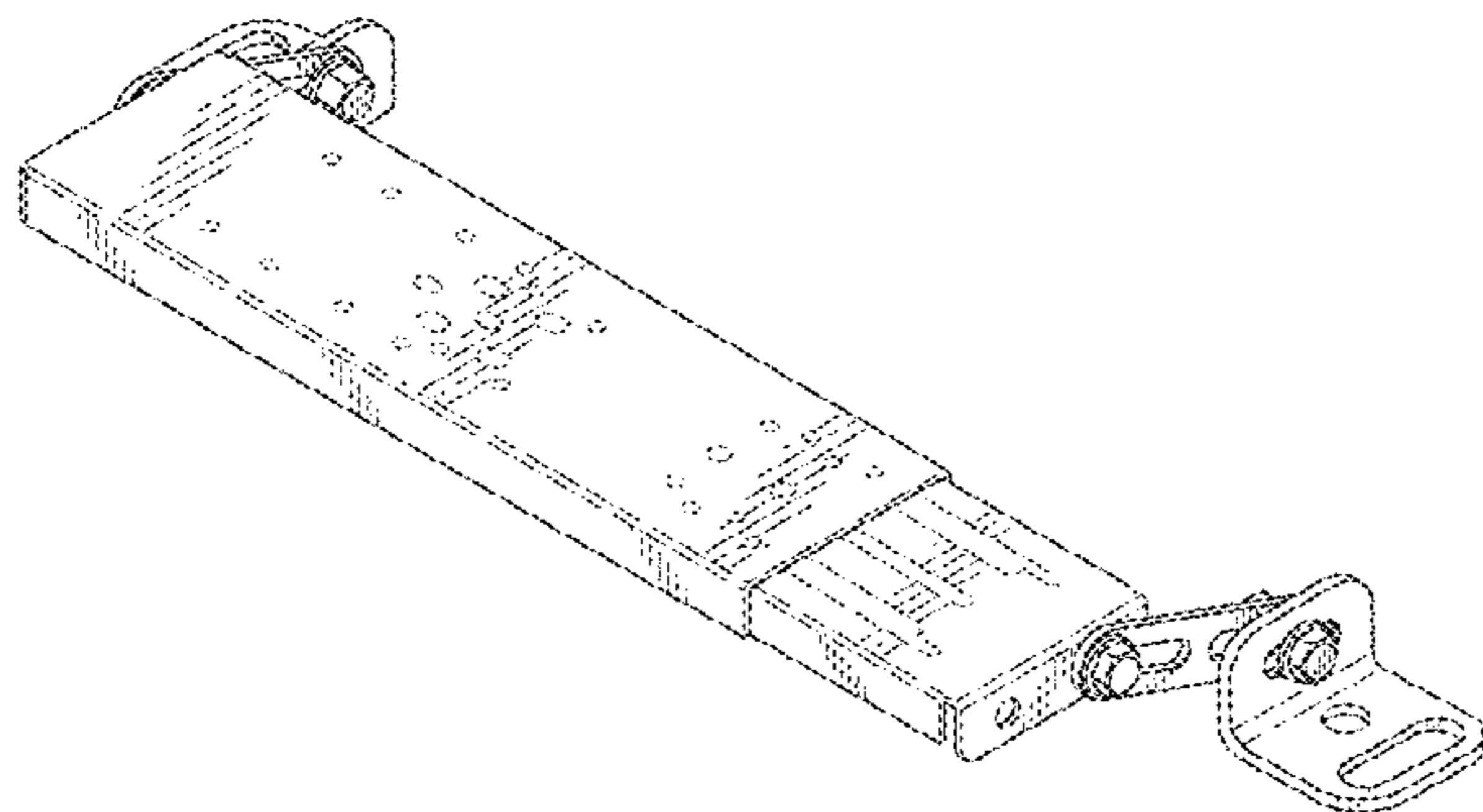
FIG. 7 is a view similar to FIG. 6, but with the mounting bracket also rotated to a second position. FIG. 7 is a side elevation view corresponding to FIG. 3.

FIG. 8 is a perspective view of the vehicle fire extinguisher mount; and,

FIG. 9 is a perspective view of the vehicle fire extinguisher mount with a fire extinguisher mounted thereon.

The broken lines are for illustration purposes and form no part of the claimed design.

1 Claim, 7 Drawing Sheets



(56)

References Cited

U.S. PATENT DOCUMENTS

D242,752 S * 12/1976 Palmer D6/574
4,106,735 A * 8/1978 Partain et al. 410/49
4,155,312 A * 5/1979 Thorkildson 108/137
D252,734 S * 8/1979 Holcombe D8/380
D256,747 S * 9/1980 Stephen D6/572
D285,648 S * 9/1986 Parker et al. D8/380
D299,687 S * 2/1989 Handler et al. D6/574
D314,325 S * 2/1991 Ziaylek et al. D8/373
D328,680 S * 8/1992 Zapf D6/707.19
D355,551 S * 2/1995 McNamara et al. D6/705
D364,290 S * 11/1995 Watts D6/675
D431,407 S * 10/2000 Sorensen et al. D6/574
D444,656 S * 7/2001 West D6/574
D458,484 S * 6/2002 Wood D6/705
D545,003 S * 6/2007 Heerdt et al. D29/130

D707,067 S * 6/2014 Basarich et al. D6/705
2002/0074914 A1 * 6/2002 Shih 312/334.4
2006/0086876 A1 * 4/2006 Heerdt et al. 248/311.2

OTHER PUBLICATIONS

Arsenal Mfg Quick Release Fire Extinguisher Mount review date
2012, online, site visited Jun. 3, 2015, www.rdmoffroad.com/rdm-quick-release-fire-extinguisher-mount.aspx#reviews.
SpeedTactics Porsche Fire Extinguisher Bracket website date Jun. 3,
2015, online, site visited Jun. 3, 2015, http://speedtactics.com/porsche_extinguisher.php.
VetteWorks Chevy Tahoe Fire extinguisher bracket pub date Feb. 4,
2005, online, site visited Jun. 3, 2015, www.vetteworksonline.net/catalog/product_info.php?cPath+6_48_50_58&products_id=34.

* cited by examiner

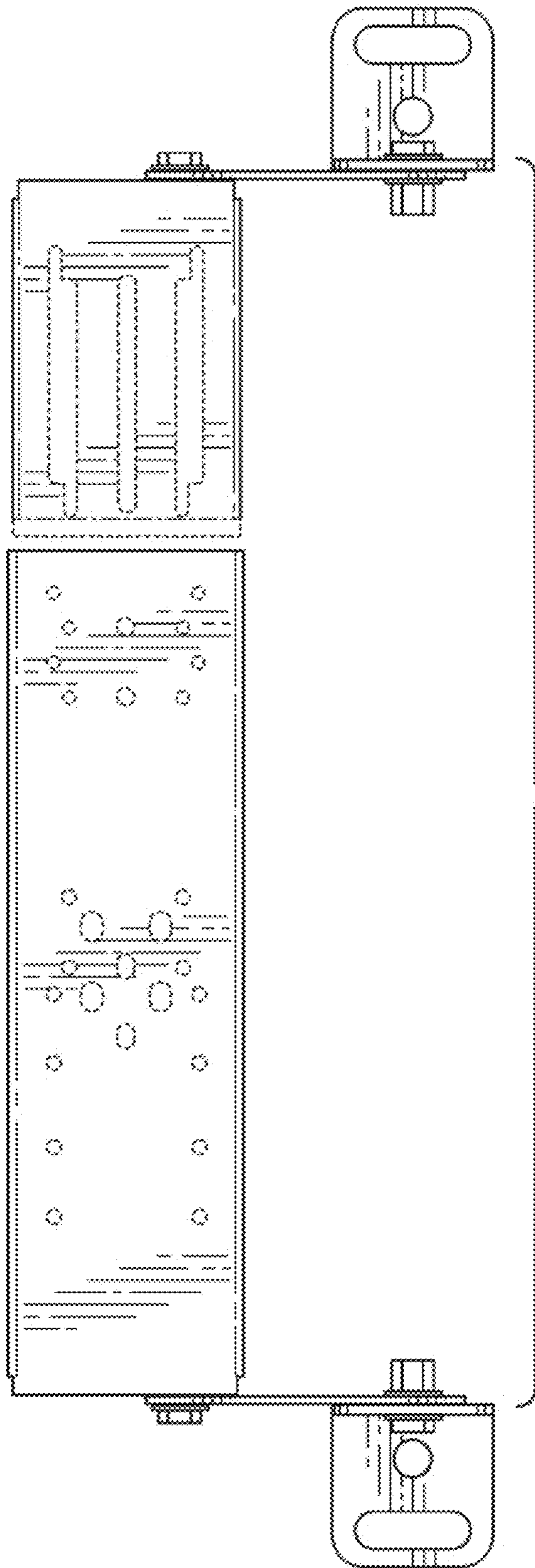


FIG. 1

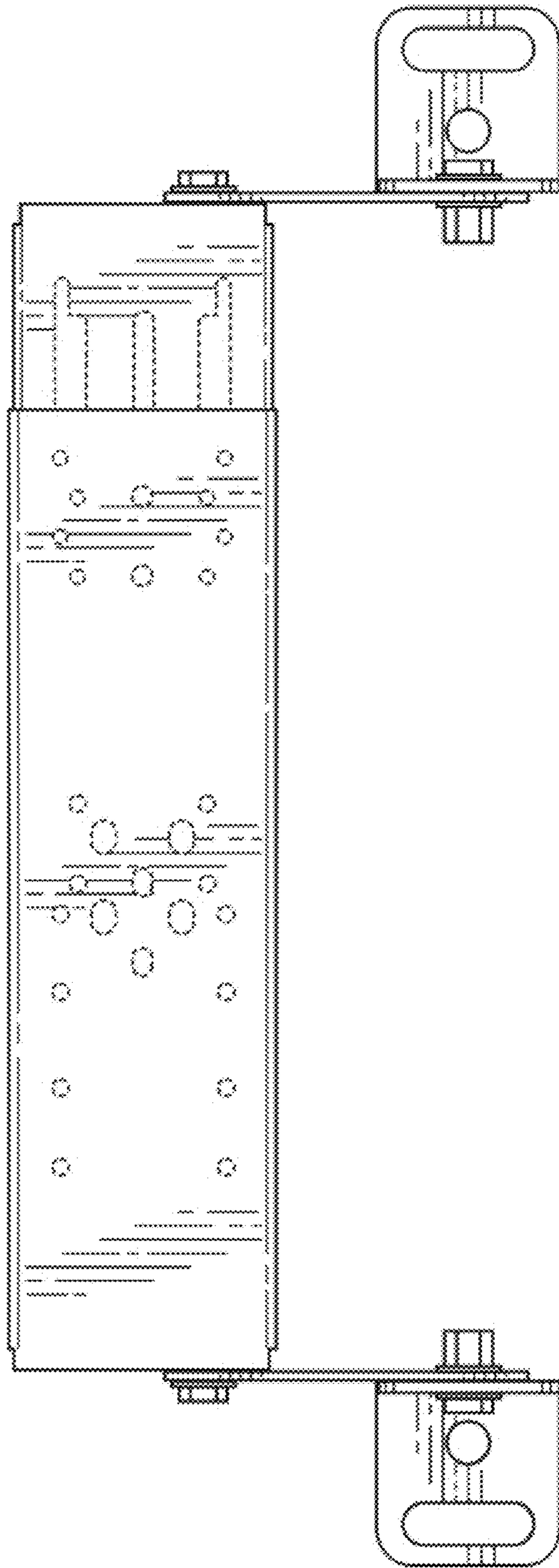


FIG. 2

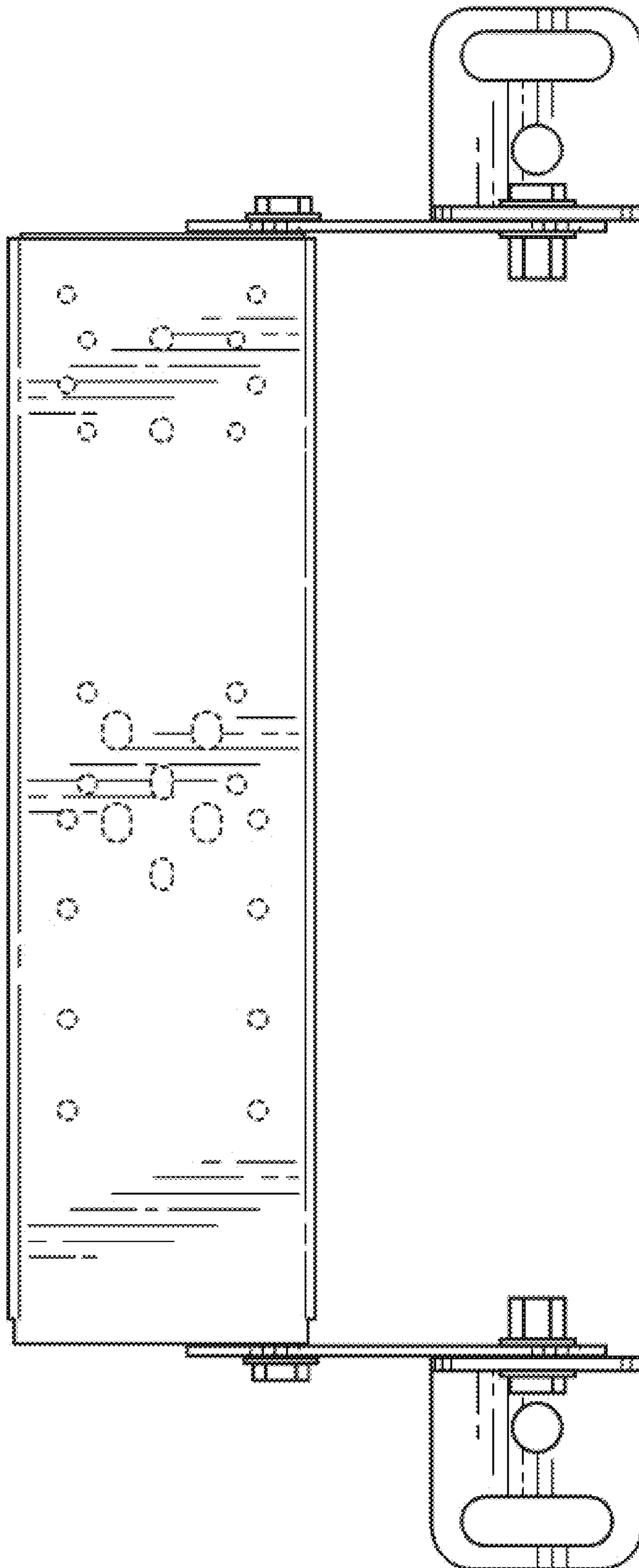


FIG. 3

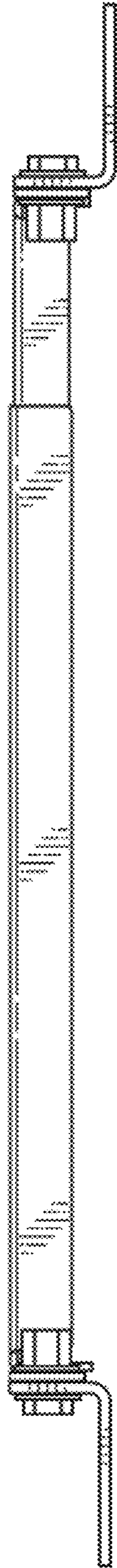


FIG. 4

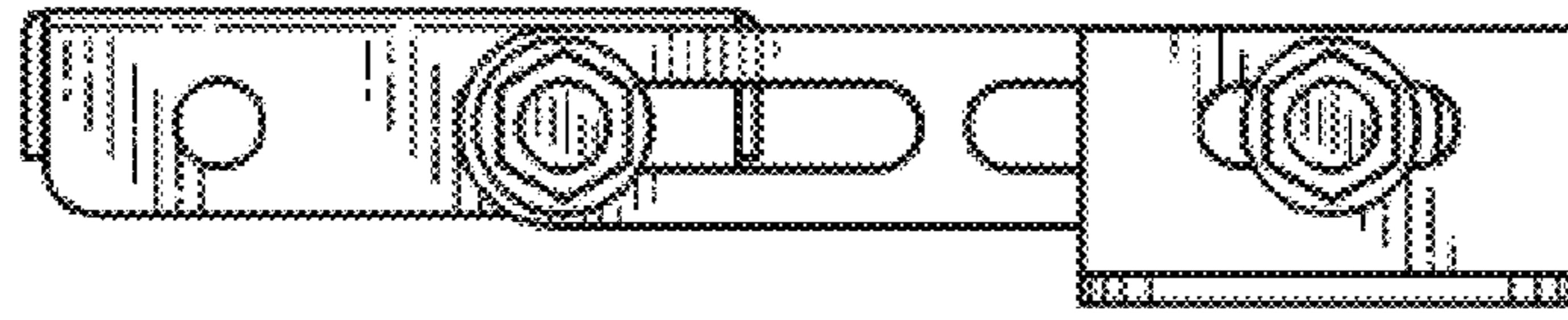


FIG. 5

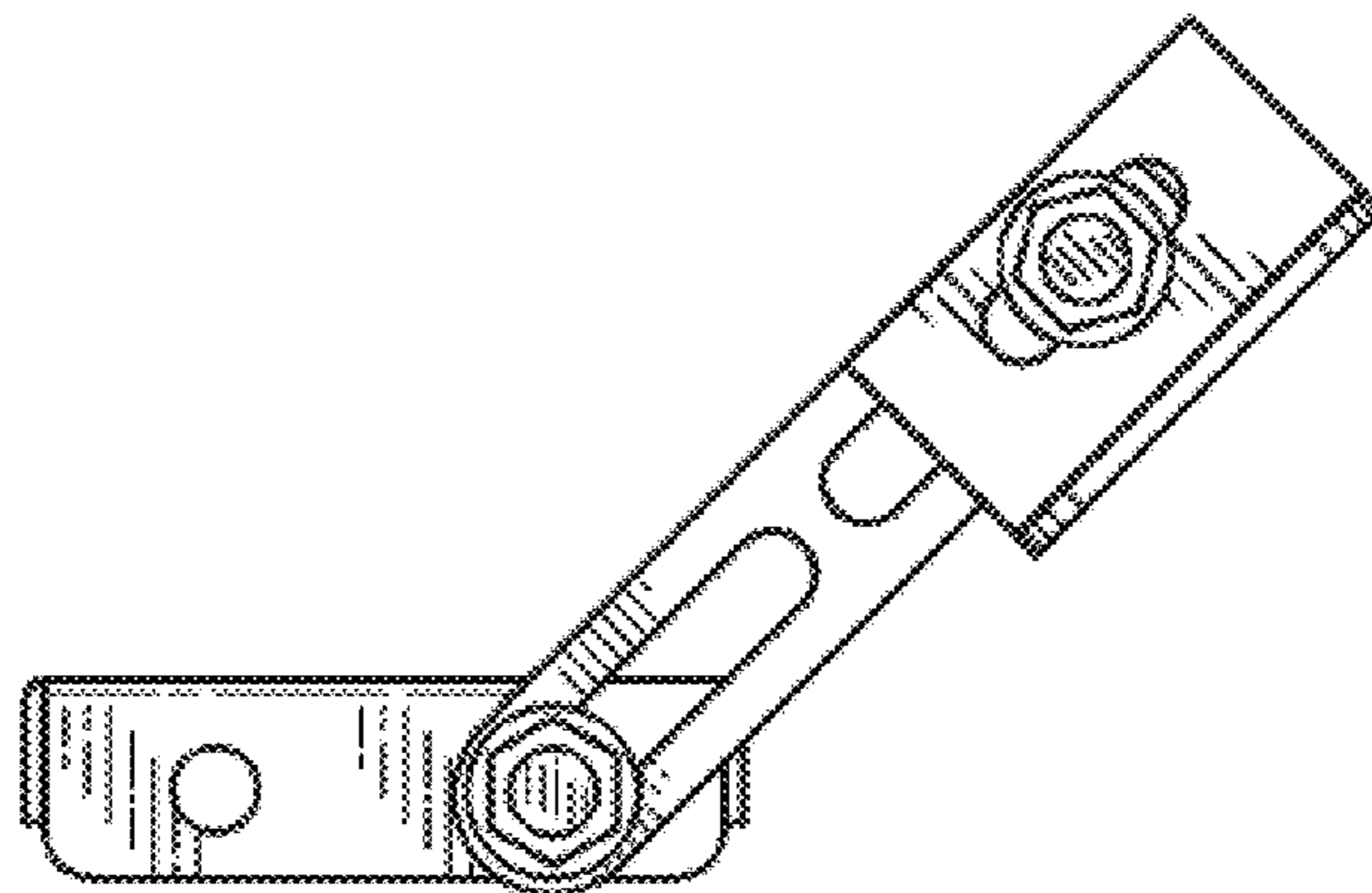


FIG. 6

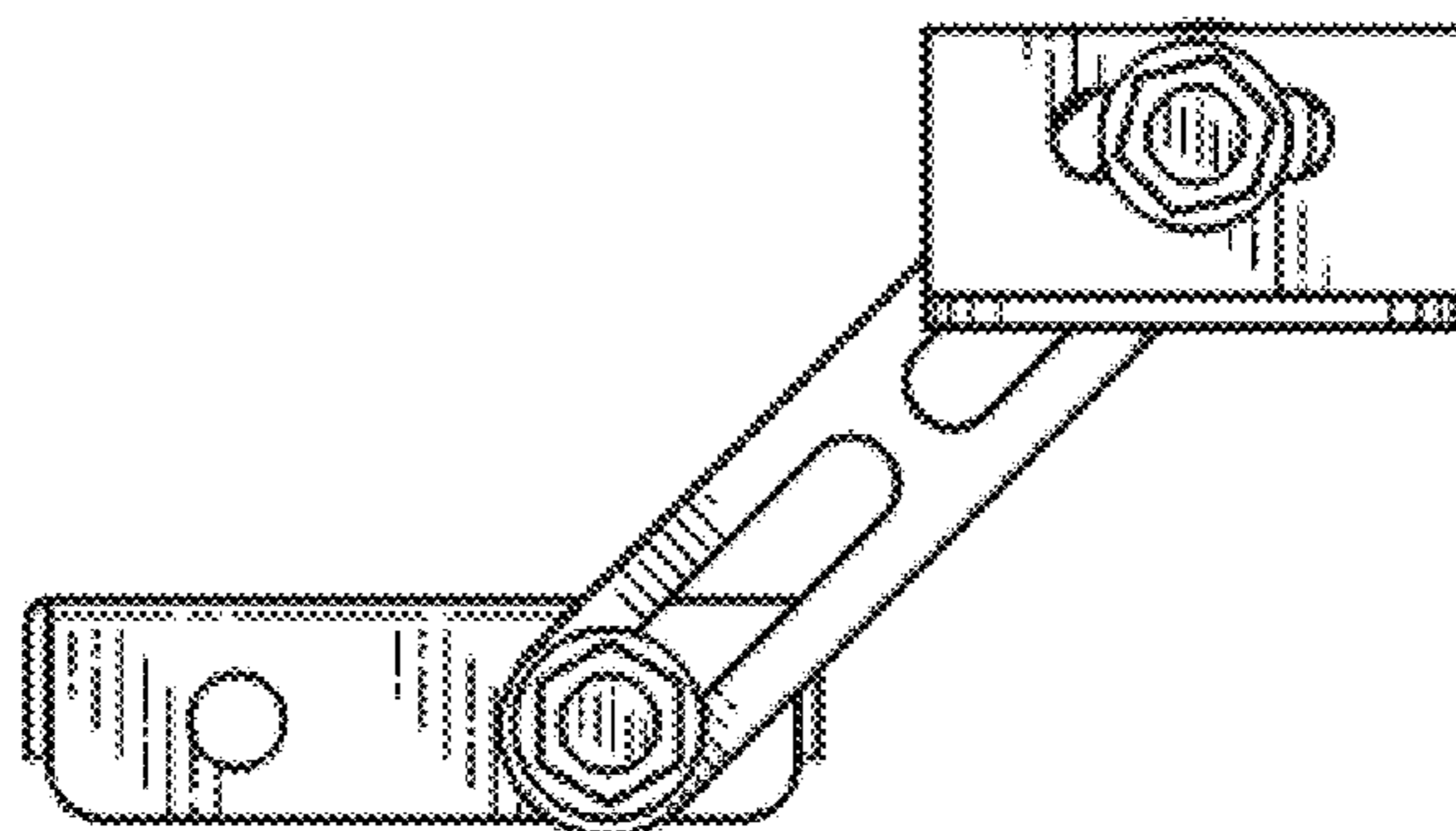


FIG. 7

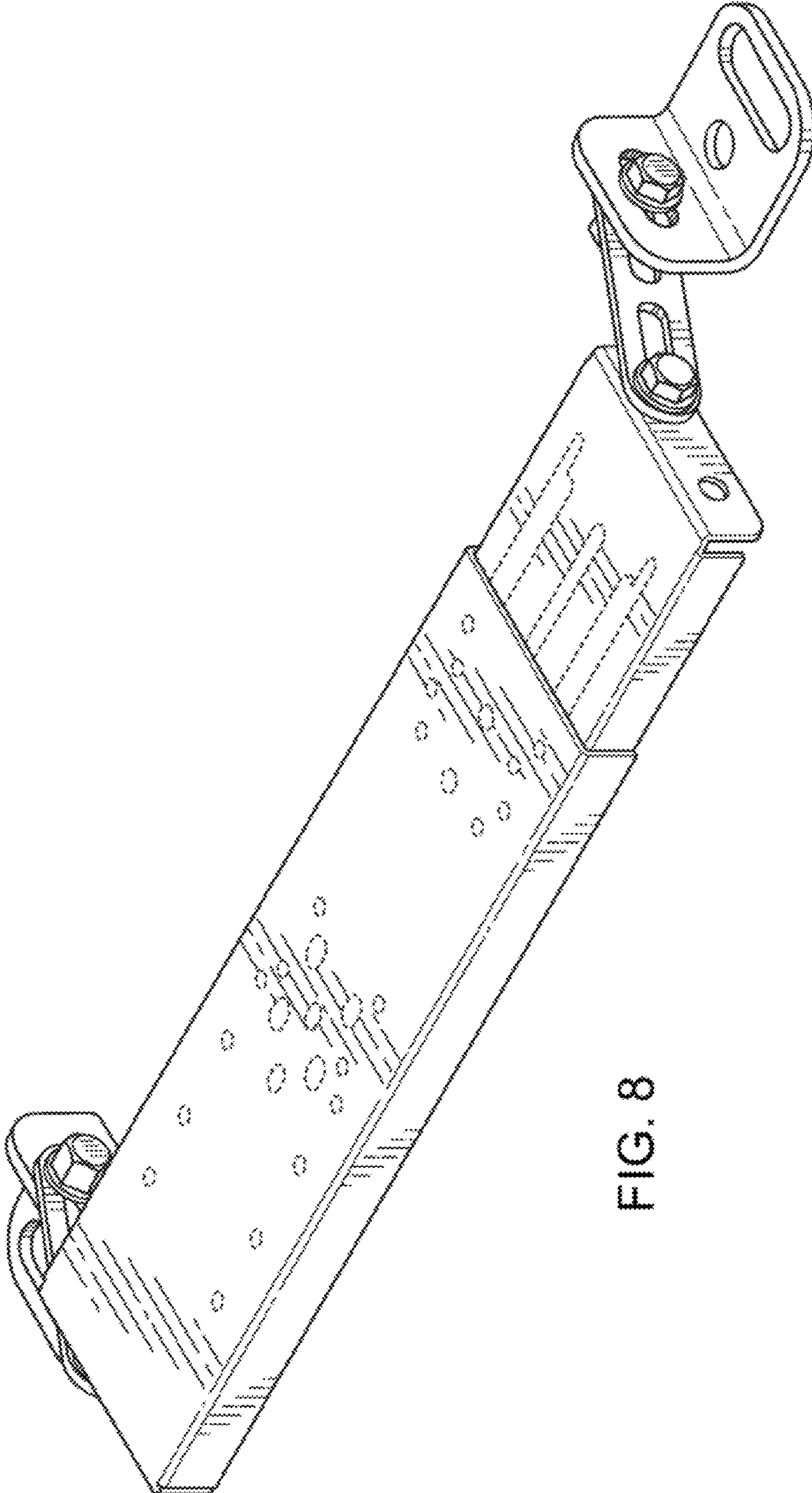


FIG. 8

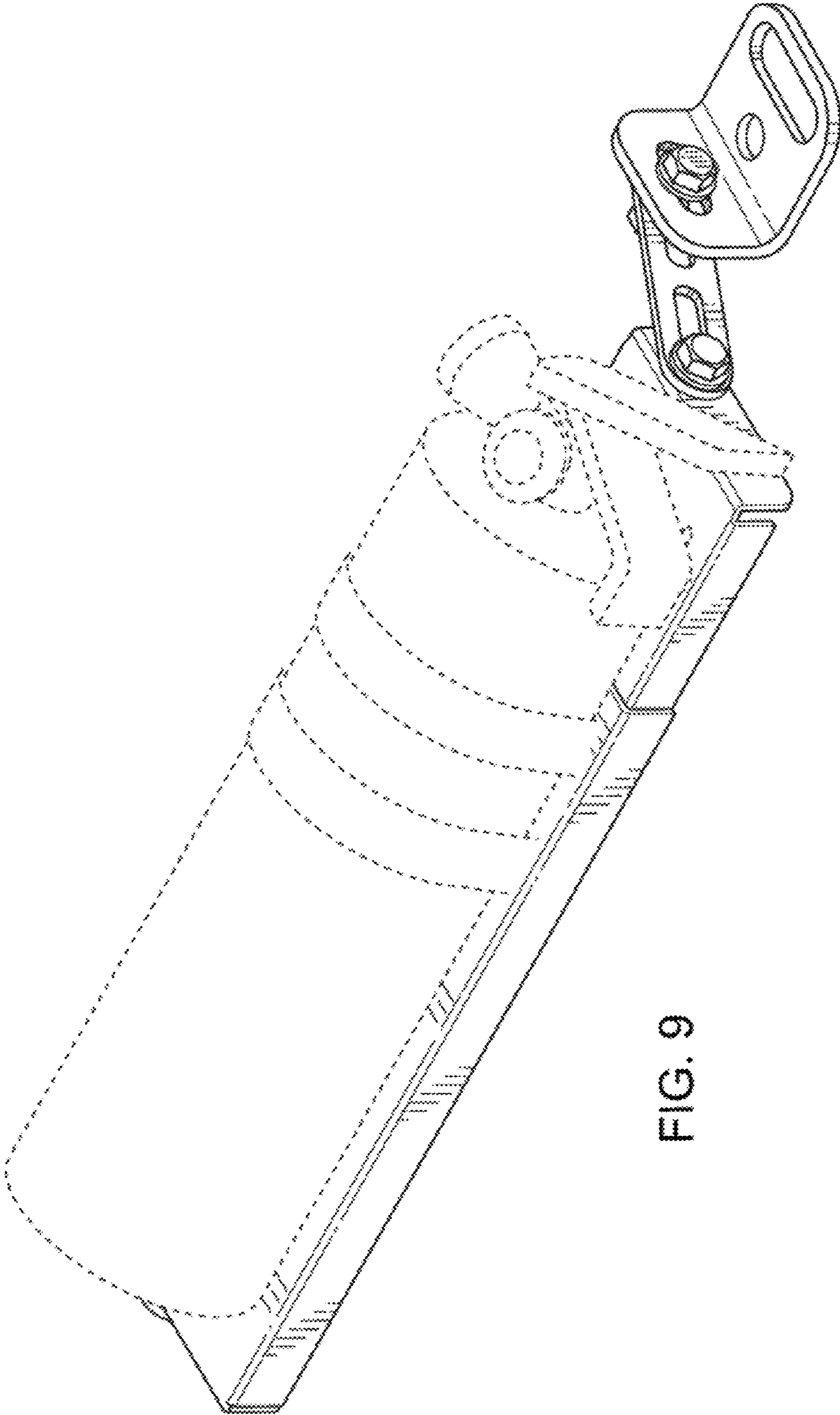


FIG. 9