



US00D750953S

(12) **United States Design Patent**  
**Jacobsen et al.**

(10) **Patent No.:** **US D750,953 S**  
(45) **Date of Patent:** **\*\* Mar. 8, 2016**

(54) **LATCH**

(71) Applicant: **Rtic Coolers, LLC**, Houston, TX (US)

(72) Inventors: **Jim Jacobsen**, Houston, TX (US); **John Jacobsen**, Houston, TX (US)

(73) Assignee: **Rtic Coolers, LLC**, Houston, TX (US)

(\*\*) Term: **14 Years**

(21) Appl. No.: **29/508,782**

(22) Filed: **Nov. 11, 2014**

(51) **LOC (10) Cl.** ..... **08-07**

(52) **U.S. Cl.**  
USPC ..... **D8/331; D8/343**

(58) **Field of Classification Search**  
USPC ..... D8/330, 331, 341, 343, 301, 302,  
D8/336-338, 345; 70/14, 64-76, 141, 142,  
70/119, 111, 164, 240, DIG. 80, 79, 80,  
70/465, 466; 292/358, 359, 348, 256,  
292/256.5, 247, DIG. 31, DIG. 49, DIG. 63,  
292/5, 8, 11, 18, 109, DIG. 30, DIG. 42,  
292/DIG. 43, DIG. 68; D3/232, 900, 903;  
220/324, 833, 834; 190/900, 902, 10,  
190/19, 100; 206/6.1  
CPC ..... E05C 1/00; E05C 1/002; E05C 1/08;  
E05C 1/10; E05C 3/00; E05C 3/002; E05C  
3/12; E05C 3/16; E05C 19/08  
See application file for complete search history.

5,984,383 A \* 11/1999 Parikh ..... E05B 1/0092  
292/121

D454,292 S \* 3/2002 Plummer ..... D8/331

6,398,272 B1 \* 6/2002 Plummer ..... E05C 19/10  
292/246

D469,681 S \* 2/2003 Votruba ..... D8/343

6,561,554 B2 \* 5/2003 Colbert ..... E05C 3/14  
292/128

6,575,505 B1 \* 6/2003 Dimig ..... E05B 85/01  
292/216

D492,184 S \* 6/2004 Parker ..... D8/331

D712,720 S 9/2014 Seiders

D712,721 S 9/2014 Seiders

D712,722 S 9/2014 Seiders

D712,723 S 9/2014 Seiders

D714,125 S 9/2014 Seiders

D717,152 S \* 11/2014 Weinerman ..... D8/331

8,910,819 B2 12/2014 Seiders

\* cited by examiner

*Primary Examiner* — Prabhakar Deshmukh  
(74) *Attorney, Agent, or Firm* — Jackson Walker L.L.P.

(57) **CLAIM**  
The ornamental design for a latch, as shown and described.

**DESCRIPTION**

FIG. 1 is a top, front, left perspective view of a latch showing my new design;

FIG. 2 is a front elevational view thereof;

FIG. 3 is a rear elevational view thereof;

FIG. 4 is a left side elevational view thereof;

FIG. 5 is a right side elevational view thereof;

FIG. 6 is a top plan view thereof;

FIG. 7 is a bottom plan view thereof; and,

FIG. 8 is a perspective view thereof, shown in environmental use. The broken lines environment forms no part of the claimed design.

All other broken lines in the drawing indicate unclaimed portions and form no part of the claimed design.

**1 Claim, 4 Drawing Sheets**

(56) **References Cited**

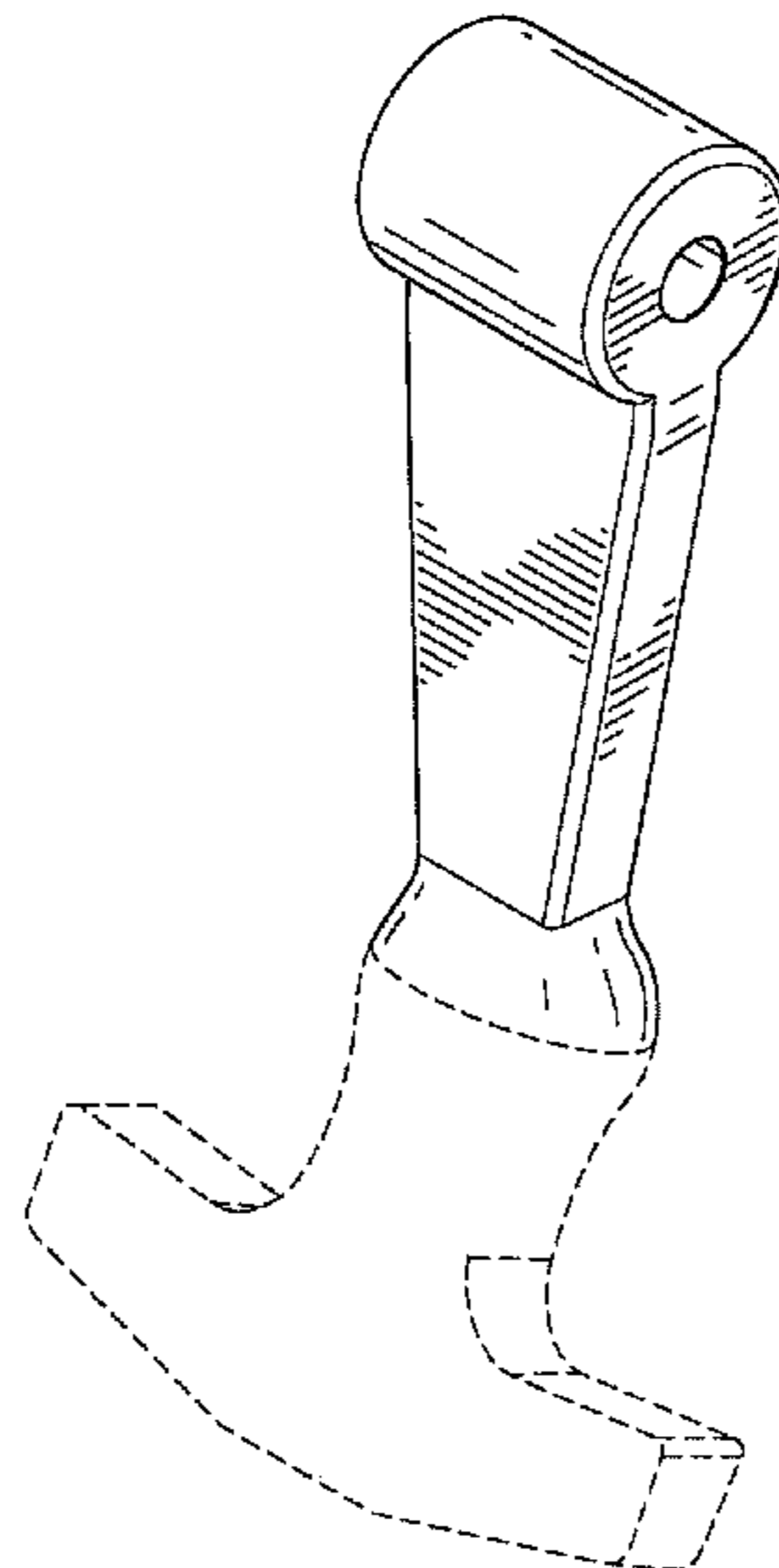
U.S. PATENT DOCUMENTS

4,674,777 A \* 6/1987 Guelck ..... E05C 3/045  
292/101

D293,077 S \* 12/1987 Wickman ..... D8/338

5,103,994 A \* 4/1992 Doxey ..... B65D 45/20  
220/318

D333,775 S \* 3/1993 Krape ..... D8/331



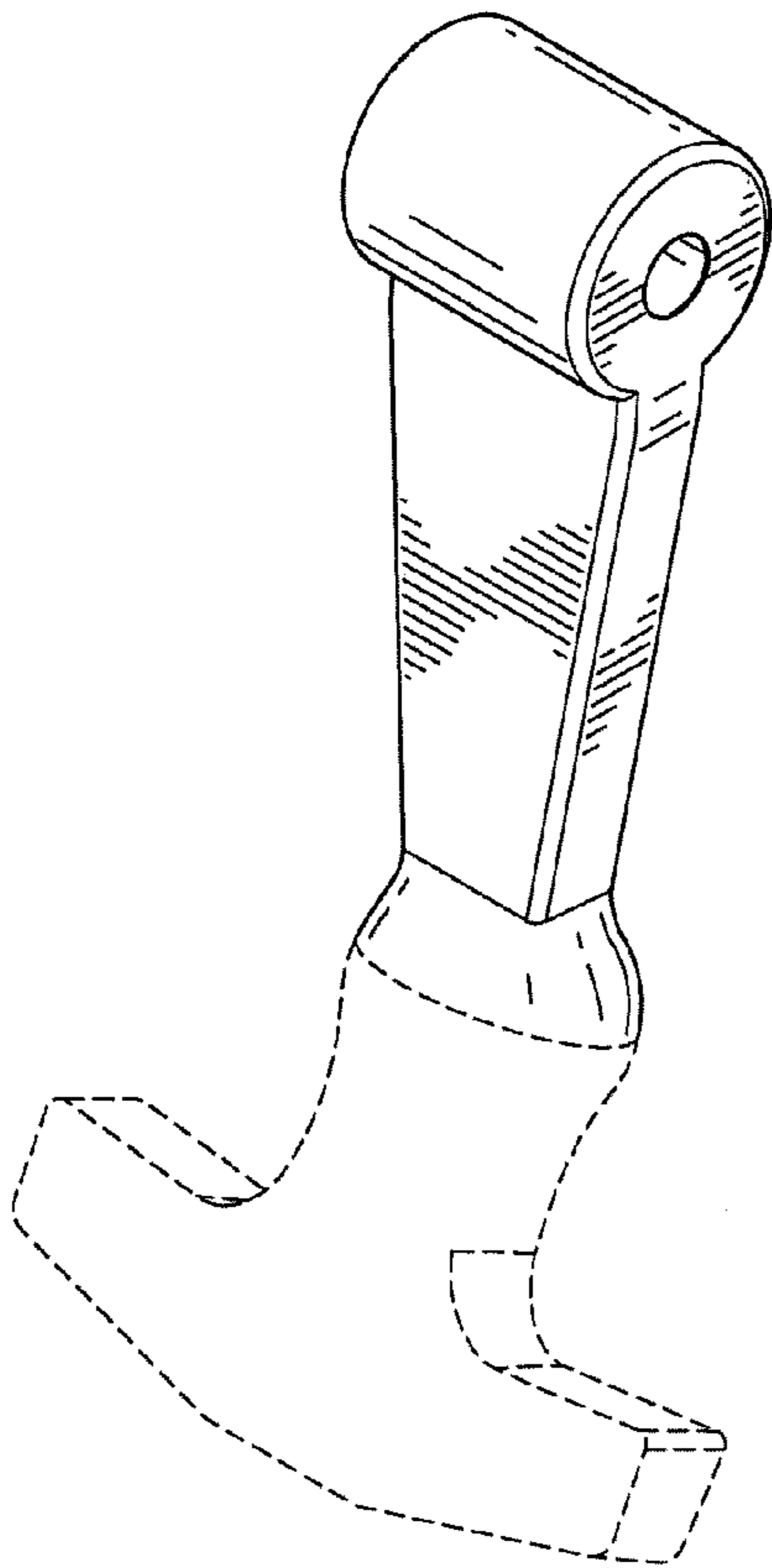


FIG. 1

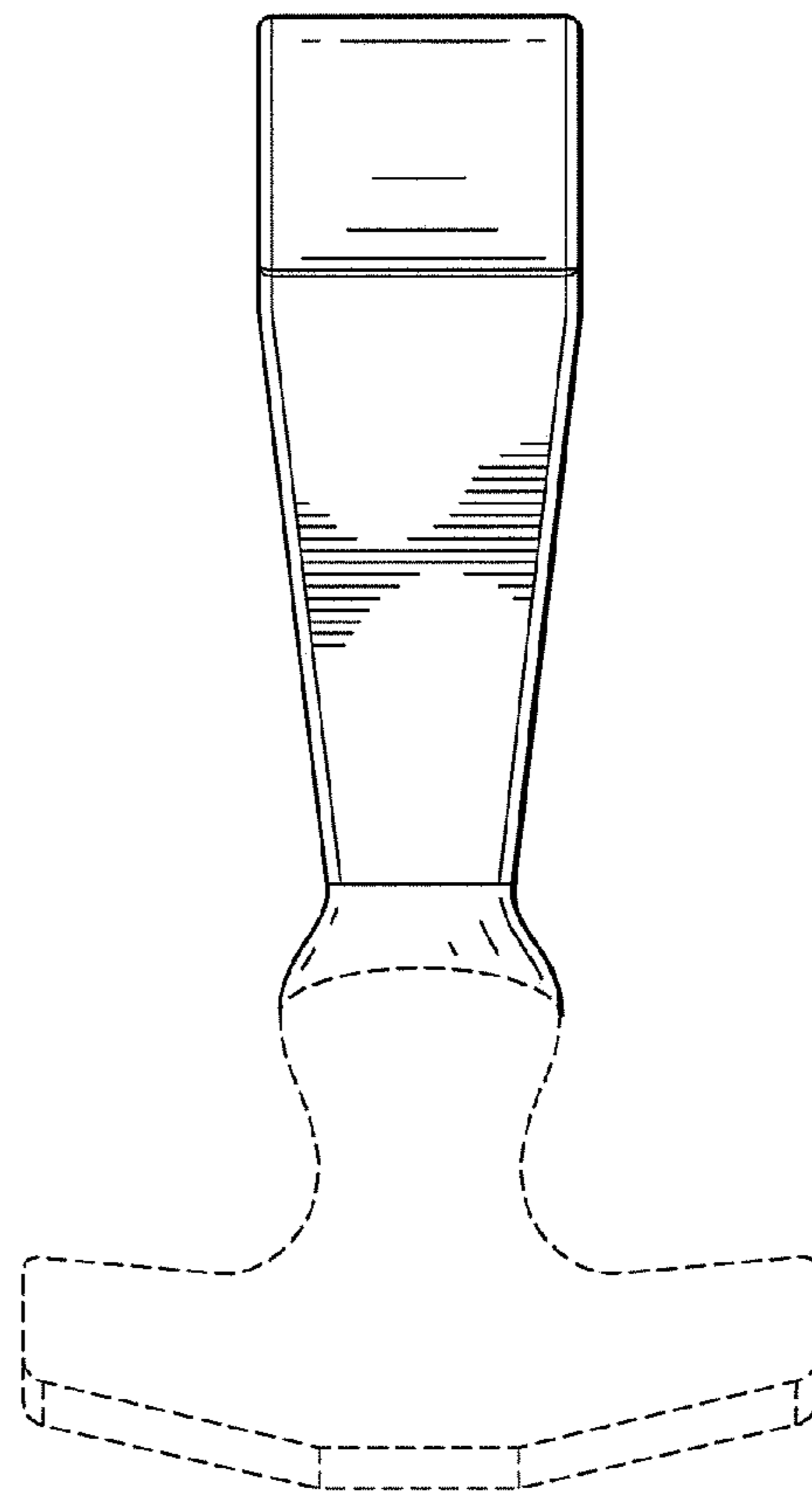


FIG. 2

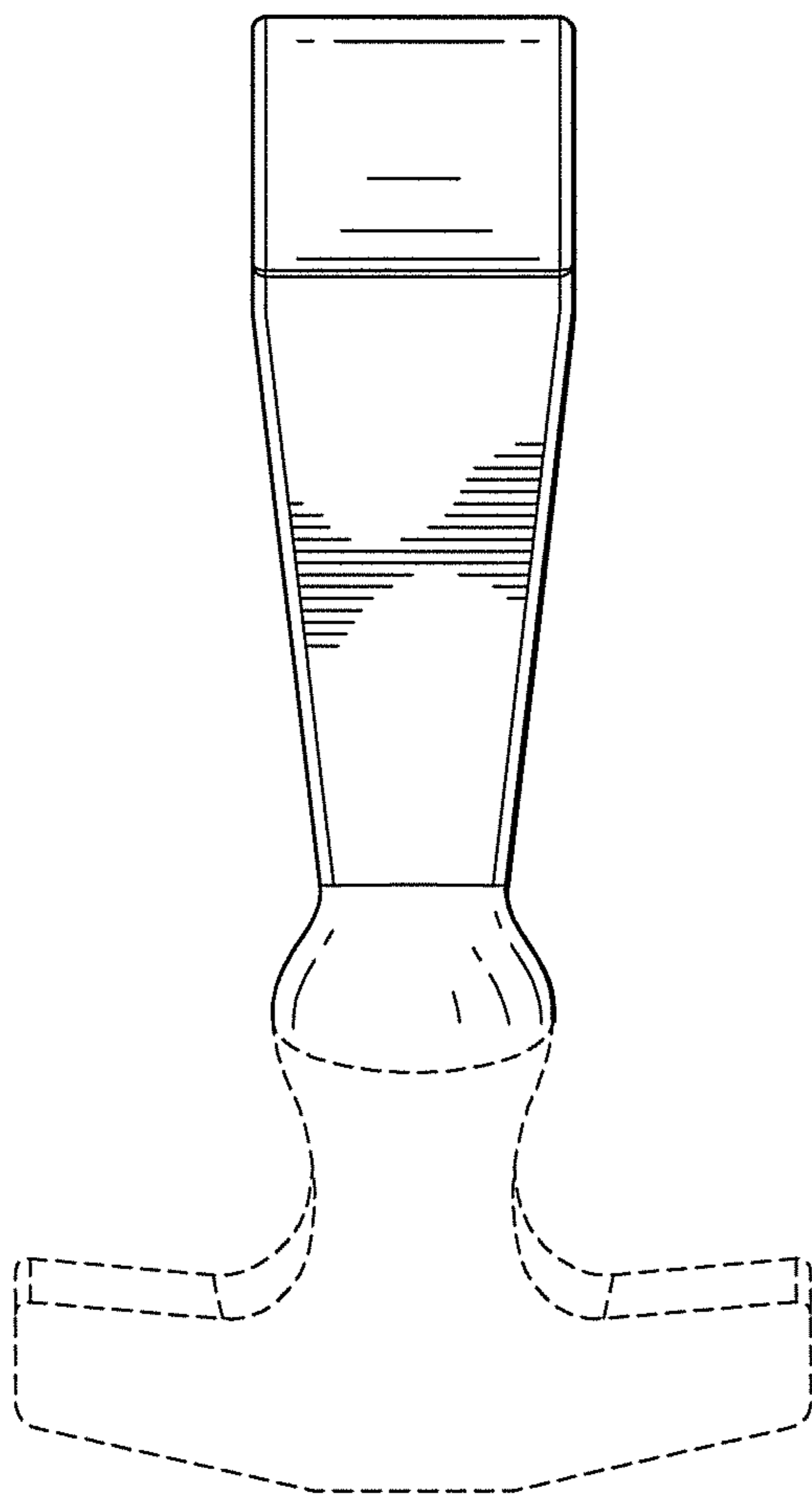


FIG. 3

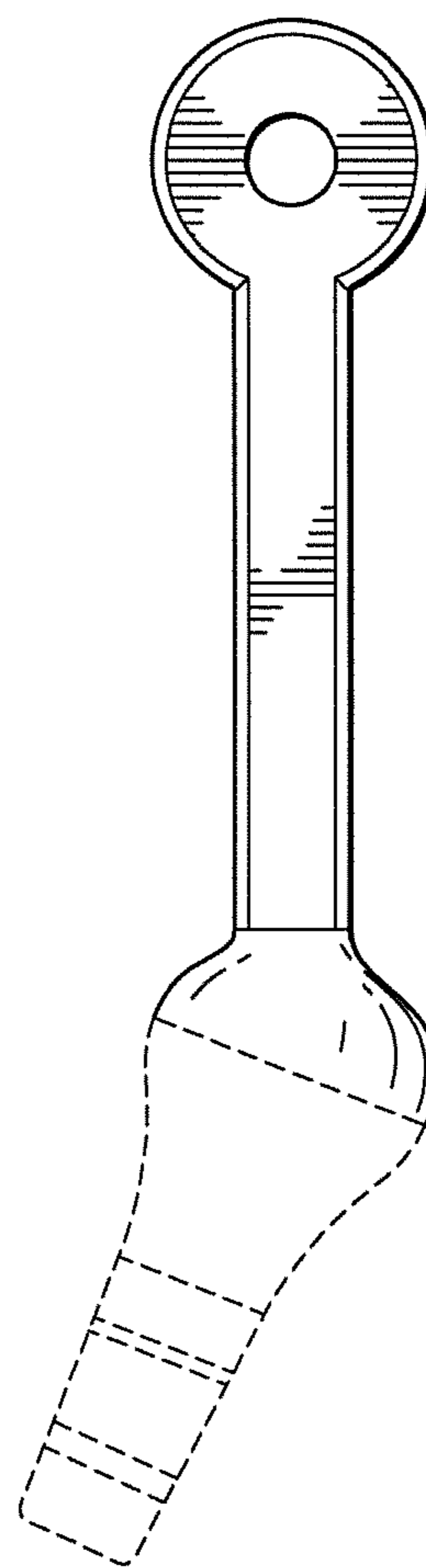


FIG. 4

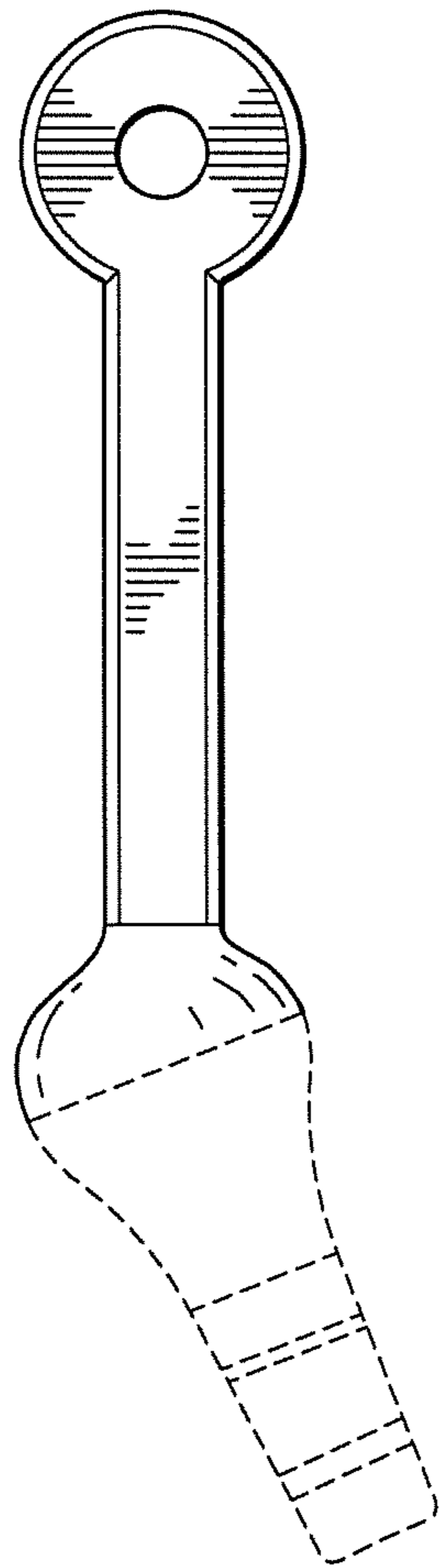


FIG. 5

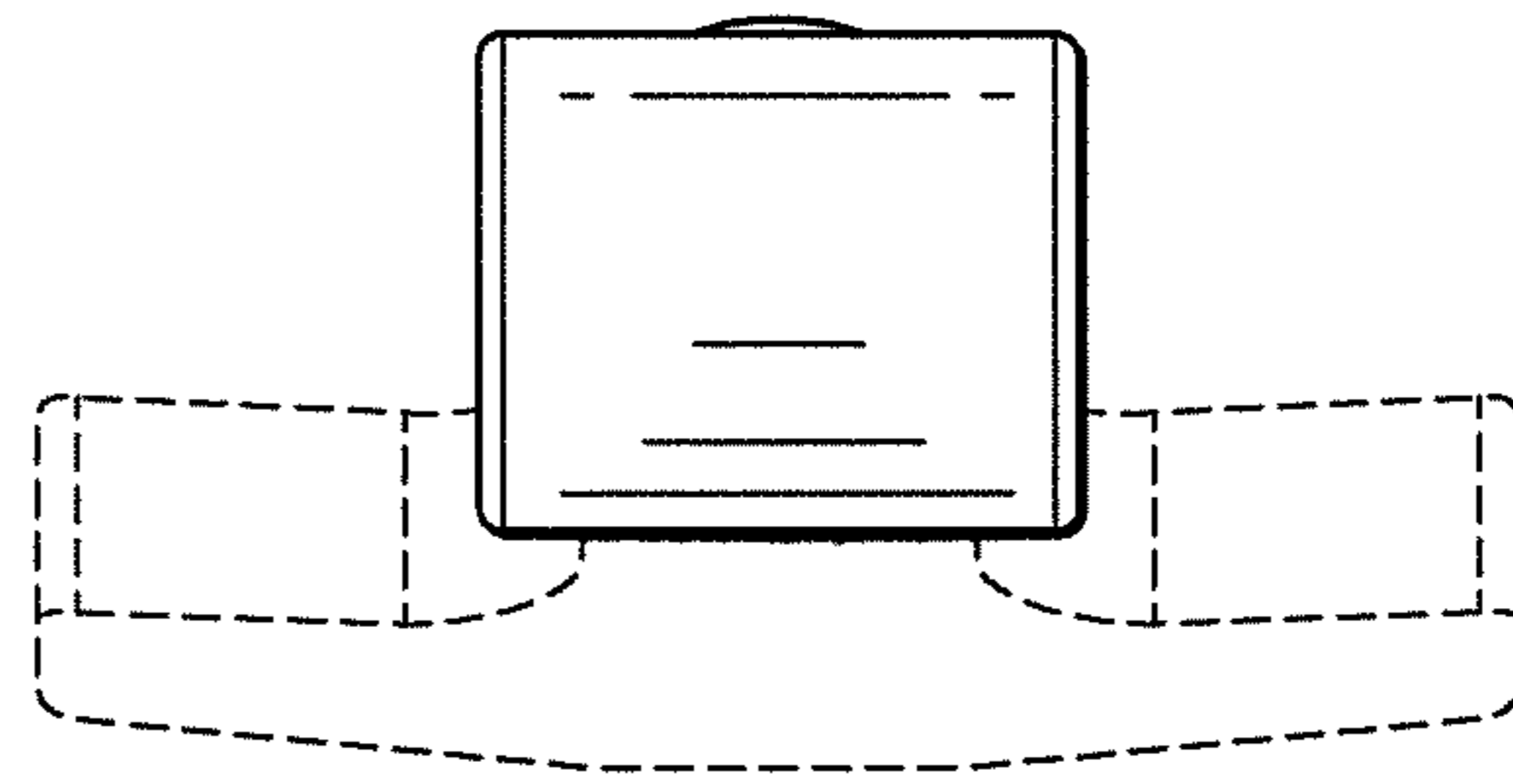


FIG. 6

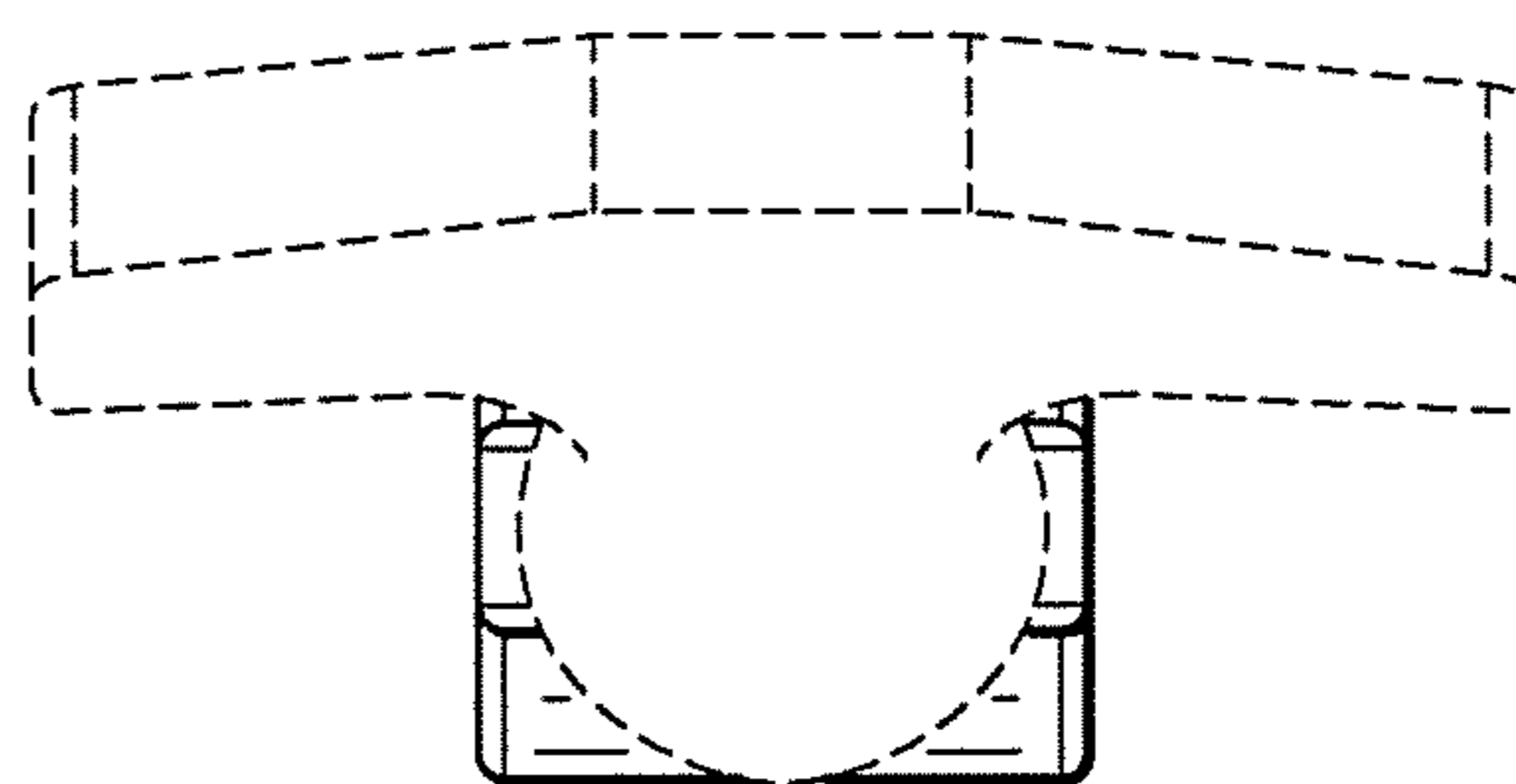


FIG. 7

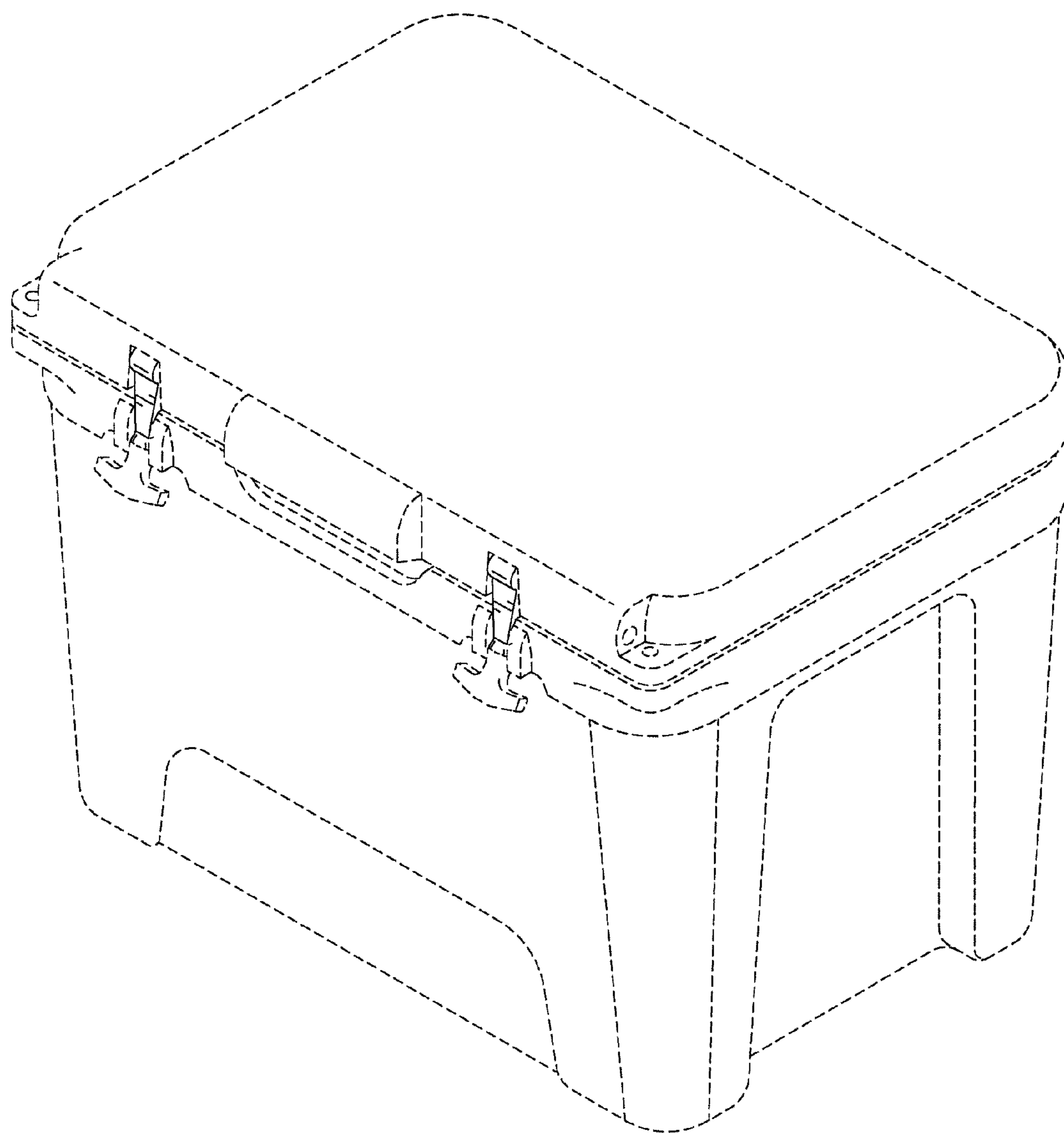


FIG. 8