



US00D750952S

(12) **United States Design Patent**
Herzog

(10) **Patent No.:** **US D750,952 S**
(45) **Date of Patent:** **** Mar. 8, 2016**

(54) **PATIO DOOR CLOSER**

(71) Applicant: **Solomon Herzog**, Lakewood, NJ (US)

(72) Inventor: **Solomon Herzog**, Lakewood, NJ (US)

(**) Term: **14 Years**

(21) Appl. No.: **29/514,948**

(22) Filed: **Jan. 19, 2015**

(51) **LOC (10) Cl.** **08-07**

(52) **U.S. Cl.**
USPC **D8/330**

(58) **Field of Classification Search**
USPC D8/330, 331, 336, 338, 339, 340, 343;
70/14, 2, 51, 57, 57.1, 91, 107, 141,
70/276-283, 175, 582, 387, 413, 229, 231,
70/92; 292/2, 32, 137, 288, 289, 290, 292,
292/251.5, 92, 144, 177, DIG. 61
CPC E05C 17/56; E05C 17/32; E05C 17/00;
E05C 15/00; H01H 47/00; G08B 13/08
See application file for complete search history.

(56) **References Cited**

U.S. PATENT DOCUMENTS

D214,028 S * 5/1969 Weiner D8/330
D295,718 S * 5/1988 Peterson D8/330
4,837,890 A * 6/1989 Tully E05C 17/28
16/71

D356,938 S * 4/1995 Duffy D8/343
6,877,278 B2 * 4/2005 Karkkainen E05F 5/12
16/DIG. 17
D638,686 S * 5/2011 Gordon D8/330
D670,152 S * 11/2012 Gordon D8/330
8,595,980 B1 * 12/2013 Hsu E05F 5/12
49/366
8,844,200 B2 * 9/2014 Yulkowski E05F 15/20
49/138
9,032,587 B2 * 5/2015 Adoline E05F 1/10
16/49

* cited by examiner

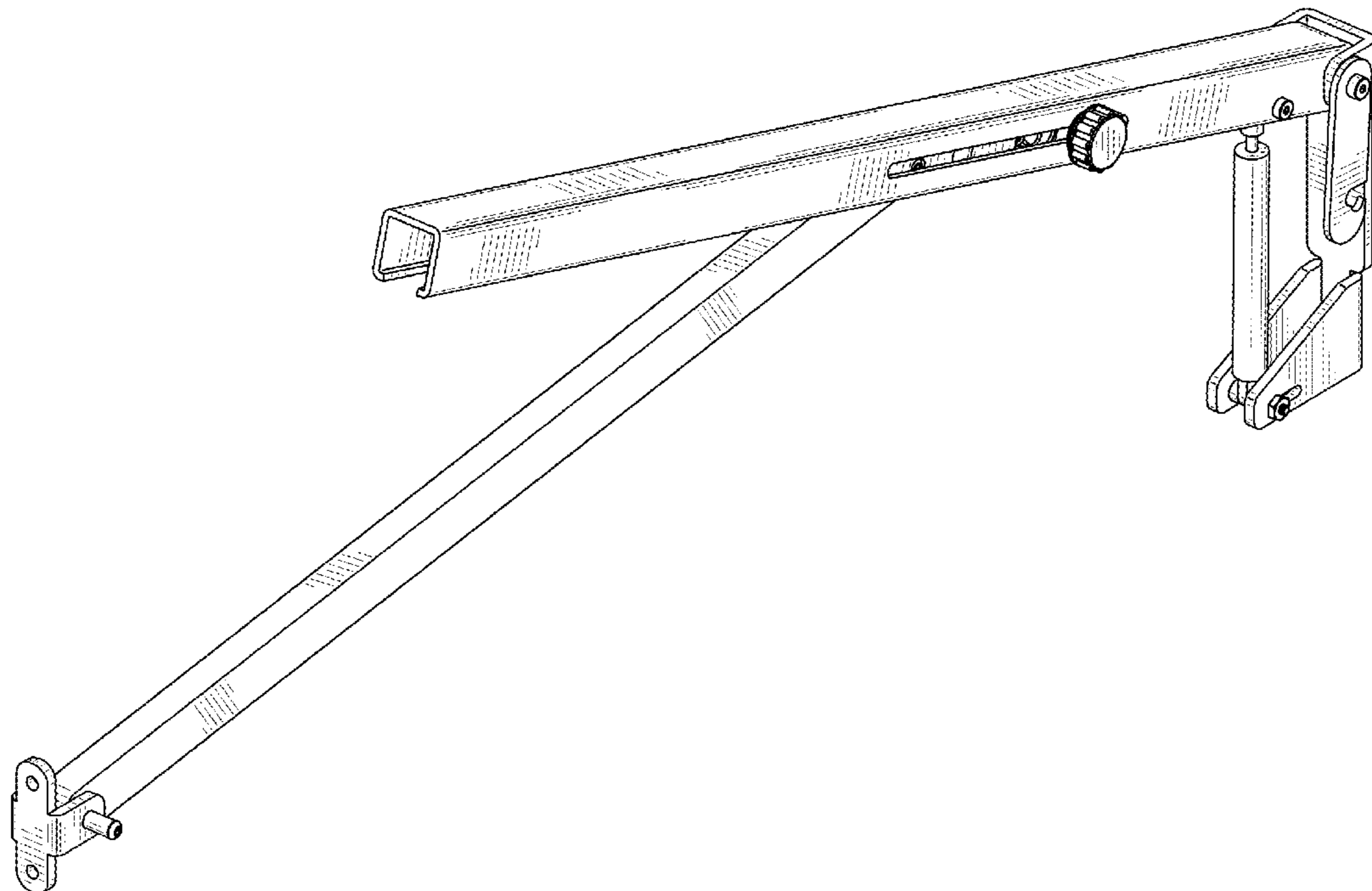
Primary Examiner — Prabhakar Deshmukh
(74) *Attorney, Agent, or Firm* — Christina Chamberlain;
Chamberlain Legal Services, PLLC

(57) **CLAIM**
The ornamental design for a patio door closer, as shown and described.

DESCRIPTION

FIG. 1 is a perspective view of a patio door closer showing my new design.
FIG. 2 is a front view of the patio door closer in FIG. 1.
FIG. 3 is a top view of the patio door closer in FIG. 1.
FIG. 4 is a rear view of the patio door closer in FIG. 1.
FIG. 5 is a bottom side view of the patio door closer in FIG. 1.
FIG. 6 is a left side view of the patio door closer in FIG. 1; and,
FIG. 7 is a right side view of the patio door closer in FIG. 1.

1 Claim, 4 Drawing Sheets



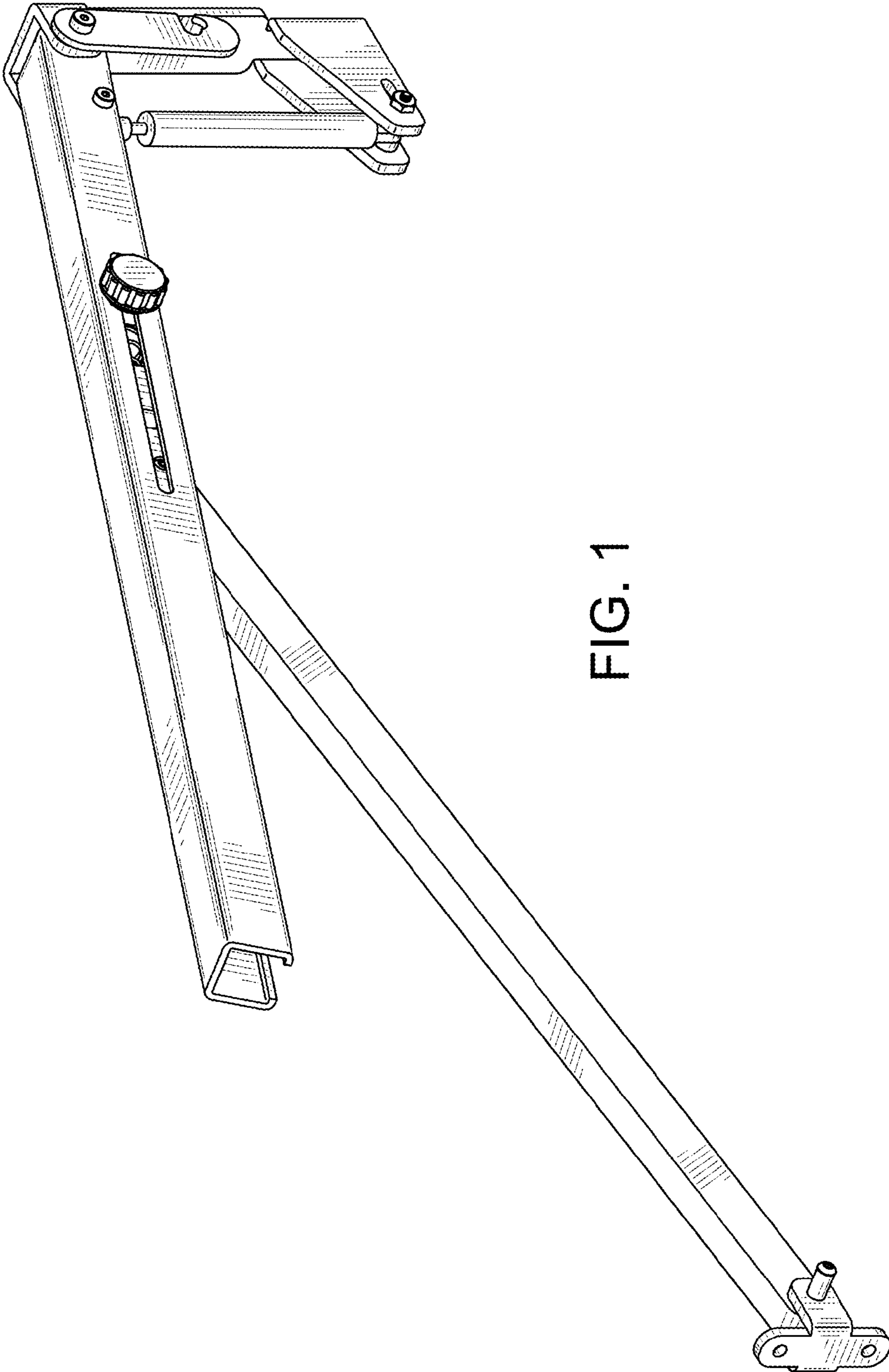


FIG. 1

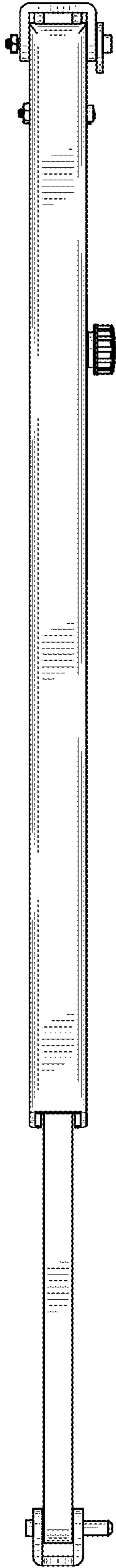


FIG. 3

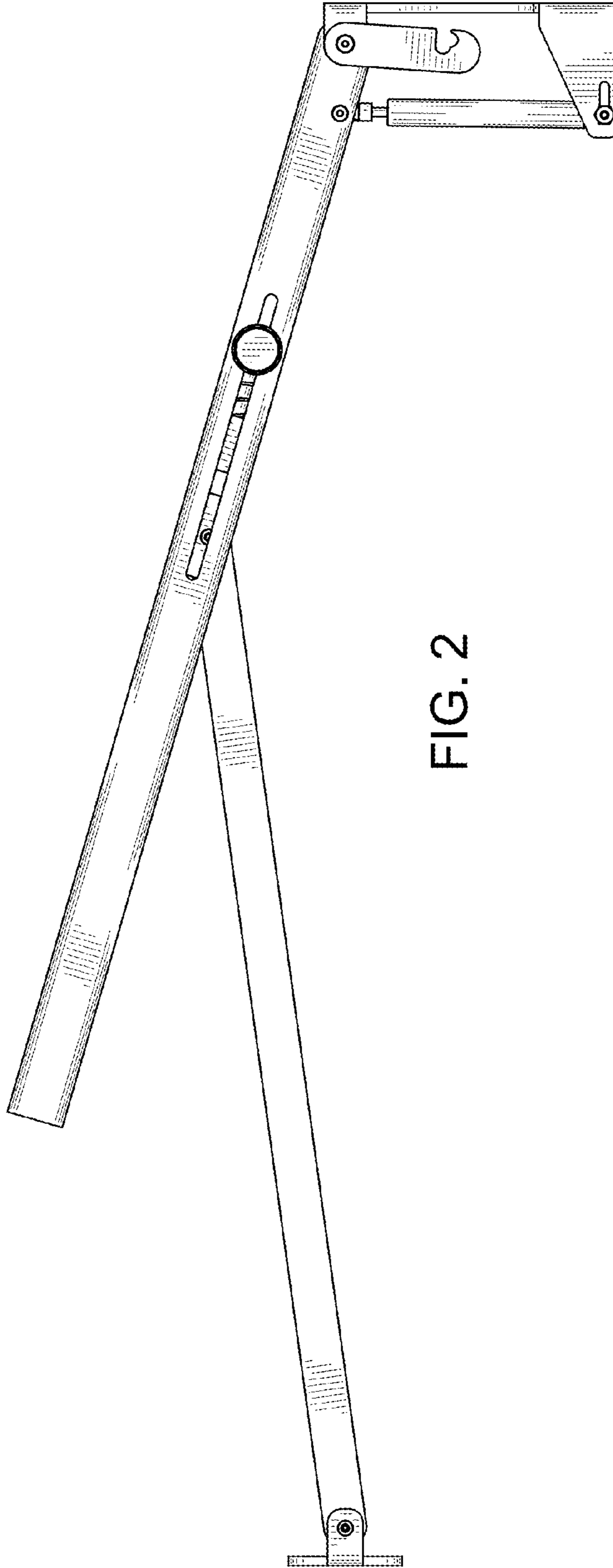


FIG. 2

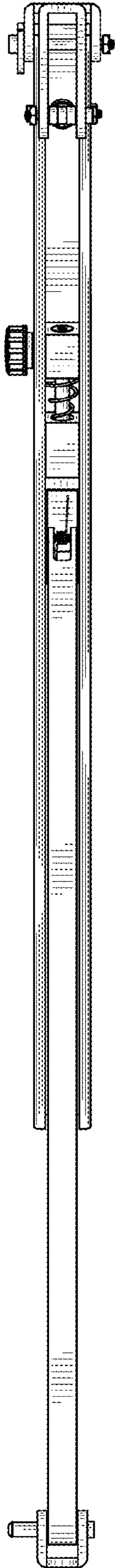


FIG. 5

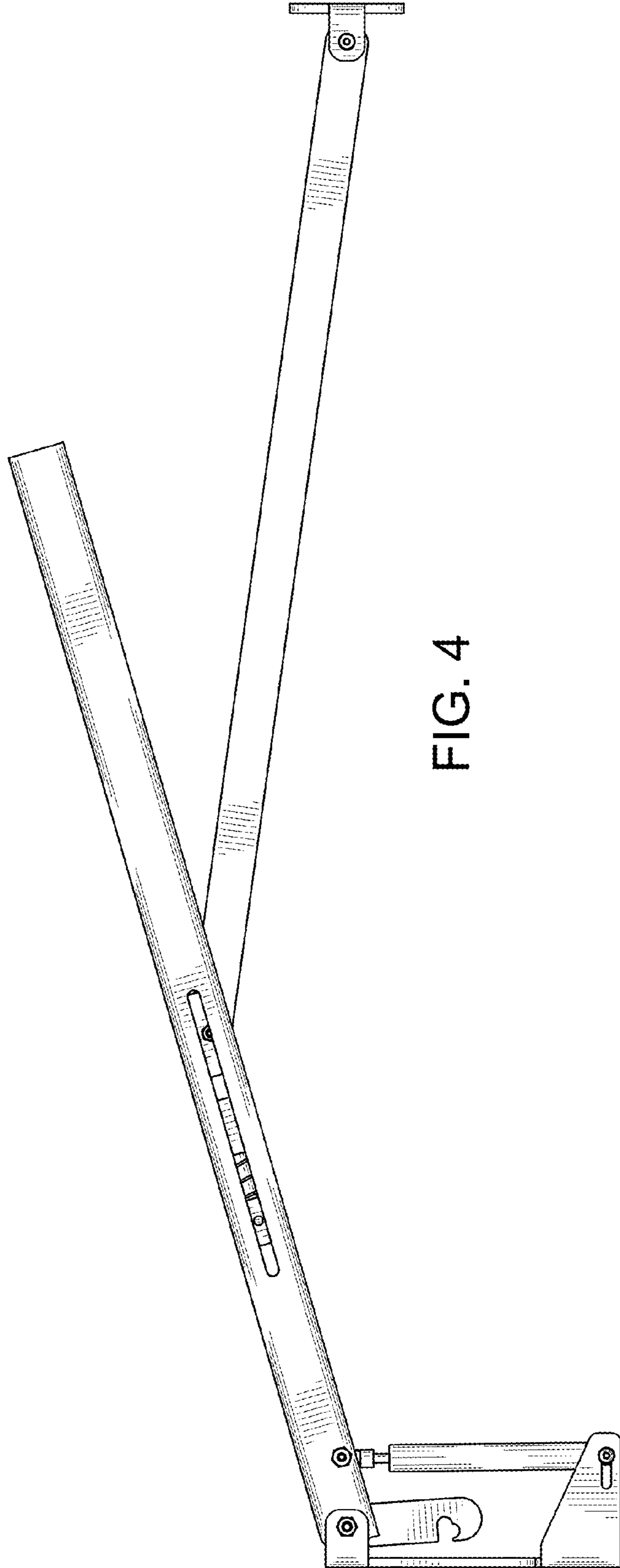


FIG. 4

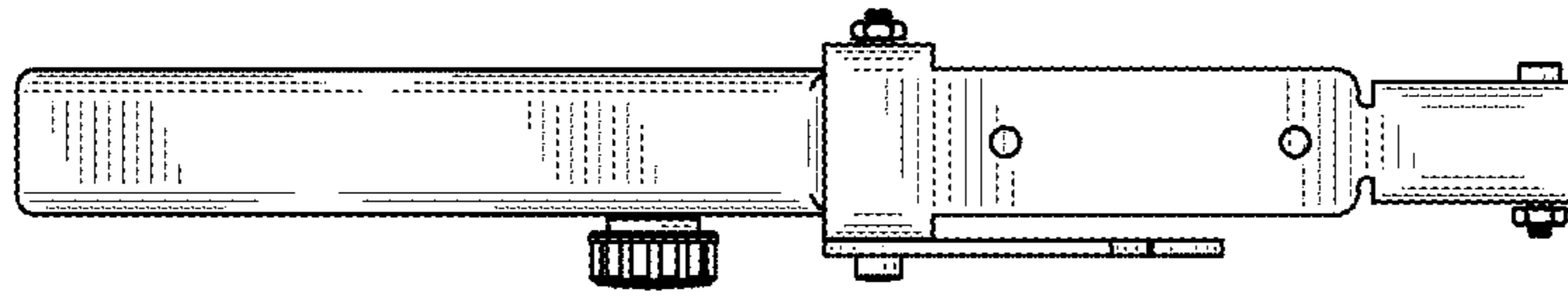


FIG. 7

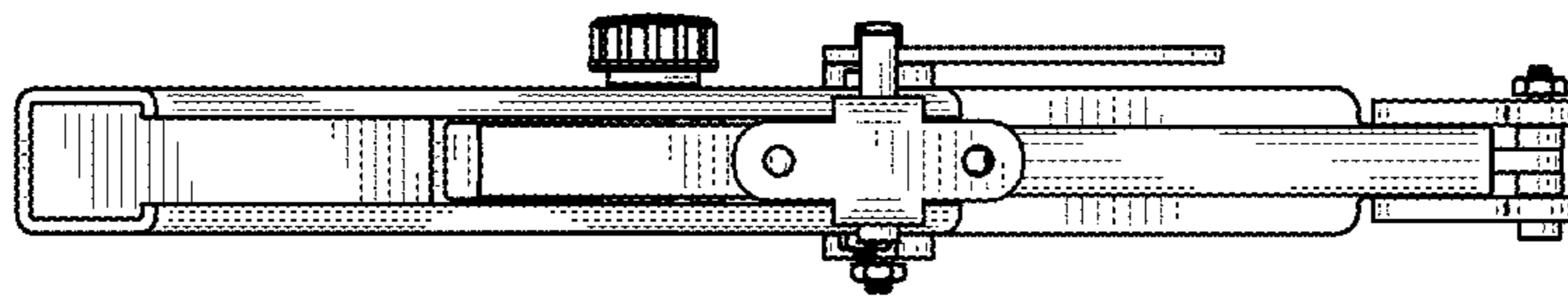


FIG. 6