



US00D750951S

(12) **United States Design Patent**
Fuller et al.

(10) **Patent No.:** **US D750,951 S**
(45) **Date of Patent:** **** Mar. 8, 2016**

- (54) **KNOB AND BEZEL**
- (71) Applicant: **Whirlpool Corporation**, Benton Harbor, MI (US)
- (72) Inventors: **Mallory A. Fuller**, Orland Park, IL (US); **Gilius A. Gaska**, St. Joseph, MI (US); **Michael A. Kahwaji**, St. Joseph, MI (US); **Jason W. Tippetts**, Stevensville, MI (US)
- (73) Assignee: **Whirlpool Corporation**, Benton Harbor, MI (US)
- (**) Term: **14 Years**
- (21) Appl. No.: **29/483,154**
- (22) Filed: **Feb. 26, 2014**
- (51) **LOC (10) Cl.** **08-06**
- (52) **U.S. Cl.**
USPC **D8/311**
- (58) **Field of Classification Search**
USPC D8/107, 300, 301, 307, 310, 311, 312; D10/102; D23/250, 421; D32/3, 25, D32/28; 74/553, 554, 555, 556, 558, 543; D15/142; D7/393, 396; 16/110.1, 422, 16/426, 430, 443; 292/336.3, 347, 348, 292/349, 350
CPC ... Y10T 292/57; Y10T 292/82; Y10T 16/469; Y10T 16/44; Y10T 16/476; Y10T 74/2084; Y10T 292/85; Y10T 74/2087; Y10T 16/4713; Y10T 16/506; Y10T 4/20876; Y10T 4/20612; Y10T 70/5765; Y10T 16/459; Y10T 74/2066; Y10T 16/487; Y10T 74/20822
See application file for complete search history.

- D467,489 S * 12/2002 Rubinson D8/310
- D521,801 S * 5/2006 Huxhold D7/393
- D525,517 S * 7/2006 Baldwin D8/310
- D562,347 S * 2/2008 Morisawa D14/246
- 7,571,663 B2 * 8/2009 Vigil B60K 37/06
74/473.3
- D635,311 S * 3/2011 Ott D32/3
- 2005/0145466 A1 * 7/2005 Wang H01H 19/11
200/11 R
- 2008/0078054 A1 * 4/2008 Huang B60K 37/06
16/221
- 2008/0289940 A1 * 11/2008 Kim D06F 39/005
200/336
- 2011/0247374 A1 * 10/2011 Miller D06F 39/125
68/139
- 2014/0369672 A1 * 12/2014 Hussain F24H 9/2028
392/480

* cited by examiner

Primary Examiner — Derrick Holland
Assistant Examiner — Lauren Calve

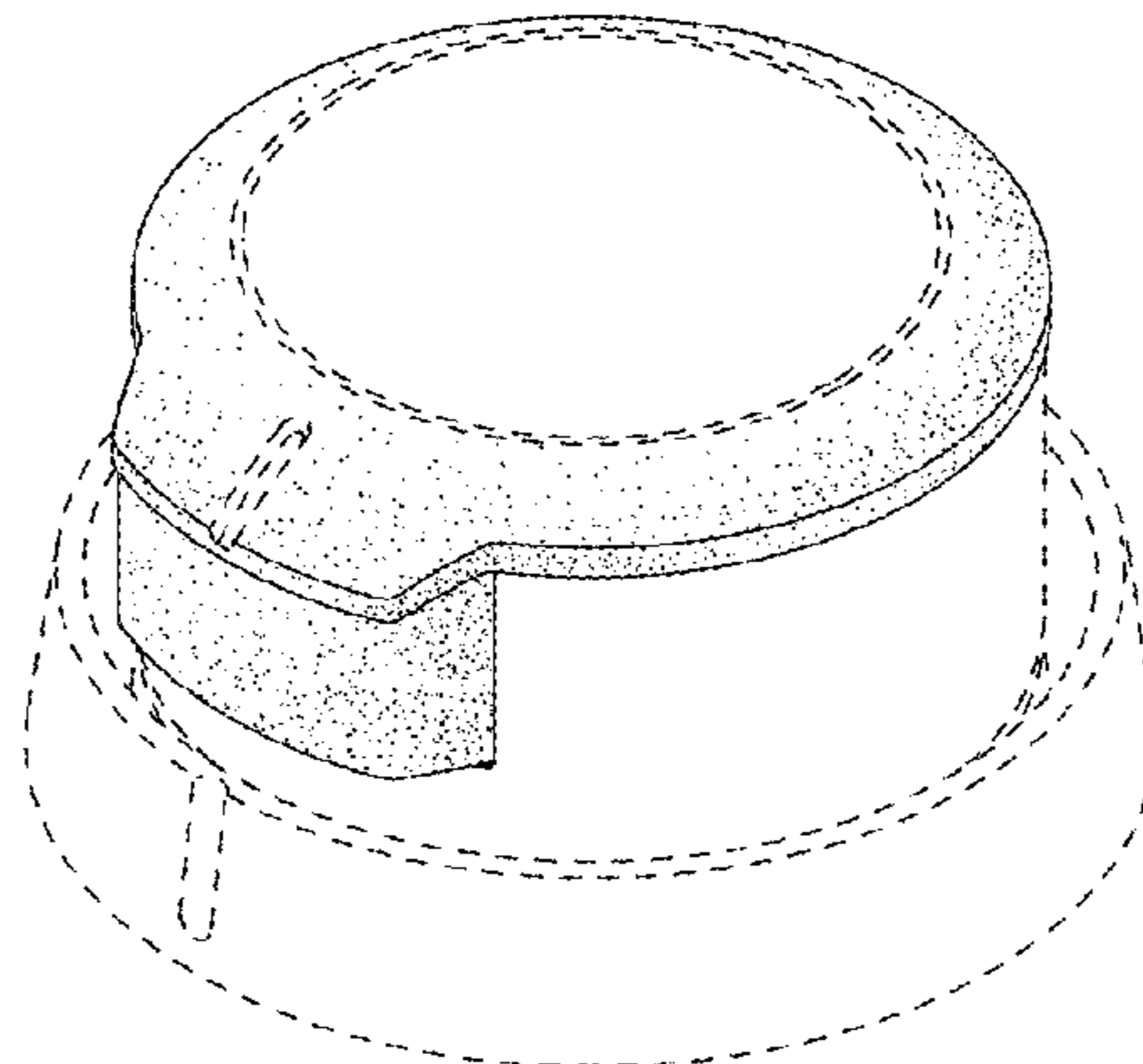
(57) **CLAIM**
We claim the ornamental design for a knob and bezel, as shown and described.

DESCRIPTION

FIG. 1 is a front perspective view of a knob and bezel of the present disclosure;
 FIG. 2 is a top elevational view of the knob and bezel of FIG. 1;
 FIG. 3 is a bottom elevational view of the knob and bezel of FIG. 1;
 FIG. 4 is a first side elevational view of the knob and bezel of FIG. 1;
 FIG. 5 is a second side elevational view of the knob and bezel of FIG. 1;
 FIG. 6 is a third side elevational view of the knob and bezel of FIG. 1; and,
 FIG. 7 is a fourth side elevational view of the knob and bezel of FIG. 1.
 The broken lines shown represent unclaimed subject matter and form no part of the claimed design.

1 Claim, 2 Drawing Sheets

- (56) **References Cited**
U.S. PATENT DOCUMENTS
D202,273 S * 9/1965 Brendgord D8/311
4,390,859 A * 6/1983 Kasprzyk H01C 10/14
338/163
D284,064 S * 6/1986 Poissant D8/311
D428,641 S * 7/2000 Mullenmeister D23/250
D432,634 S * 10/2000 Higgins D23/250



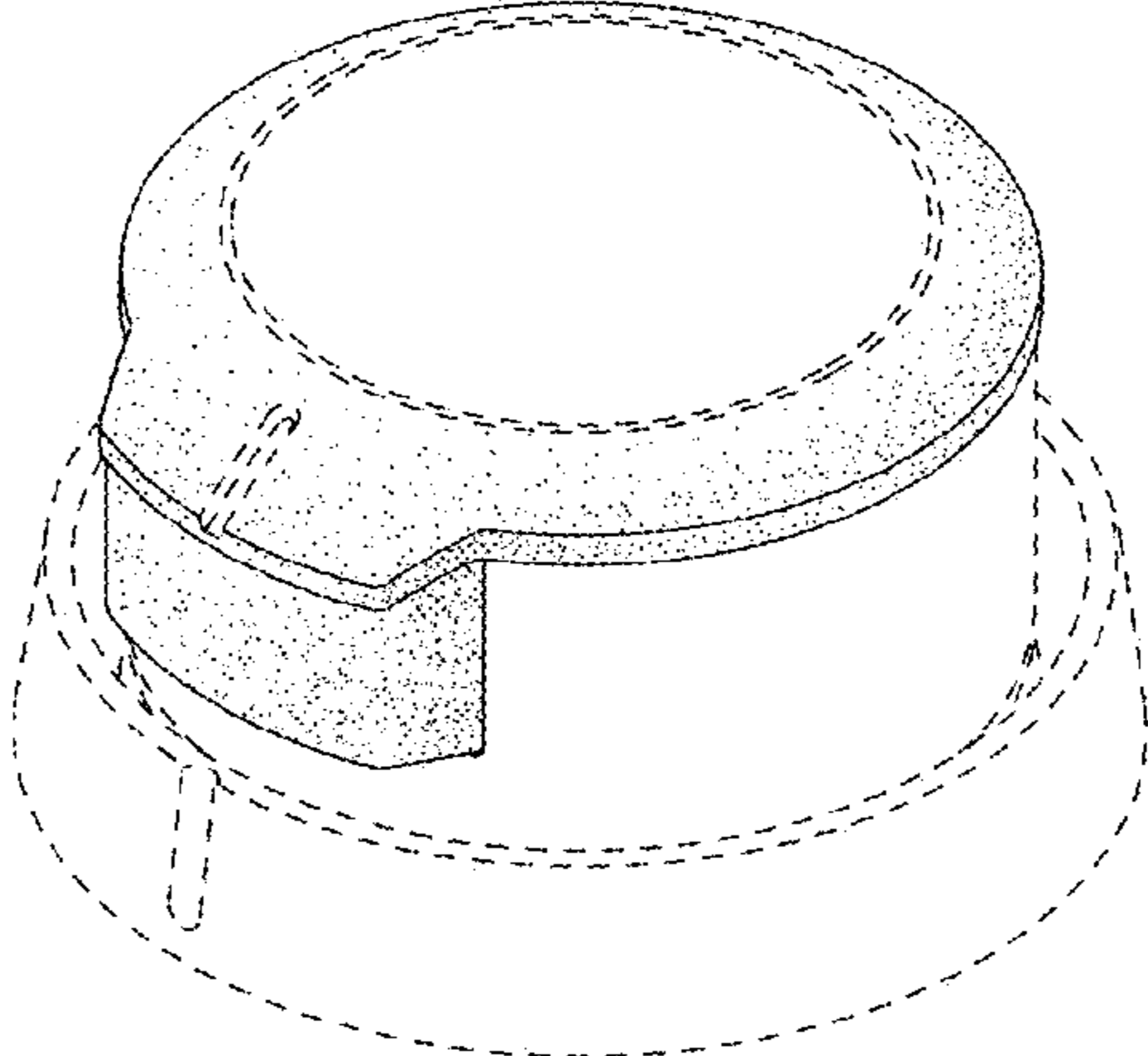


FIG. 1

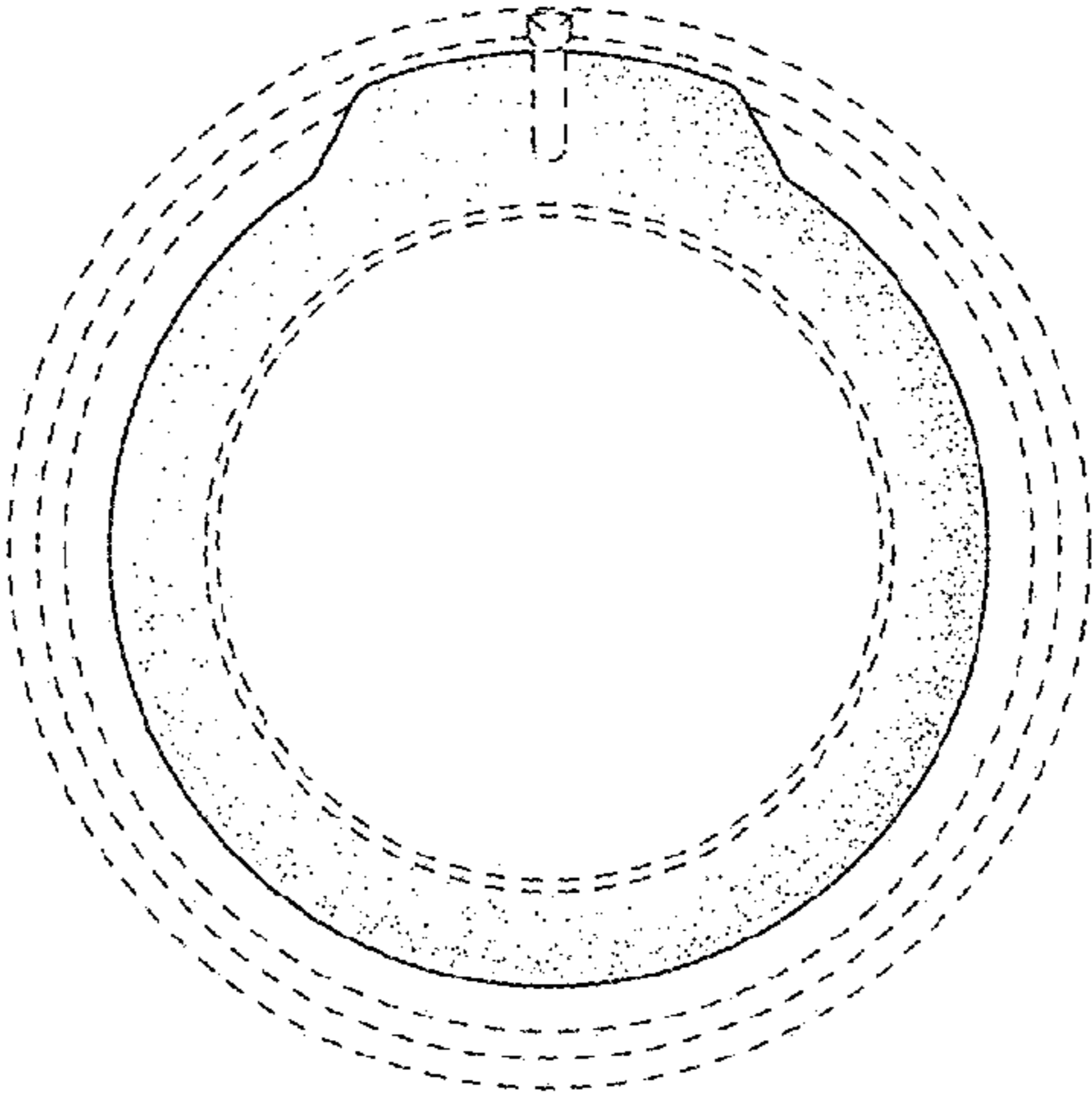


FIG. 2

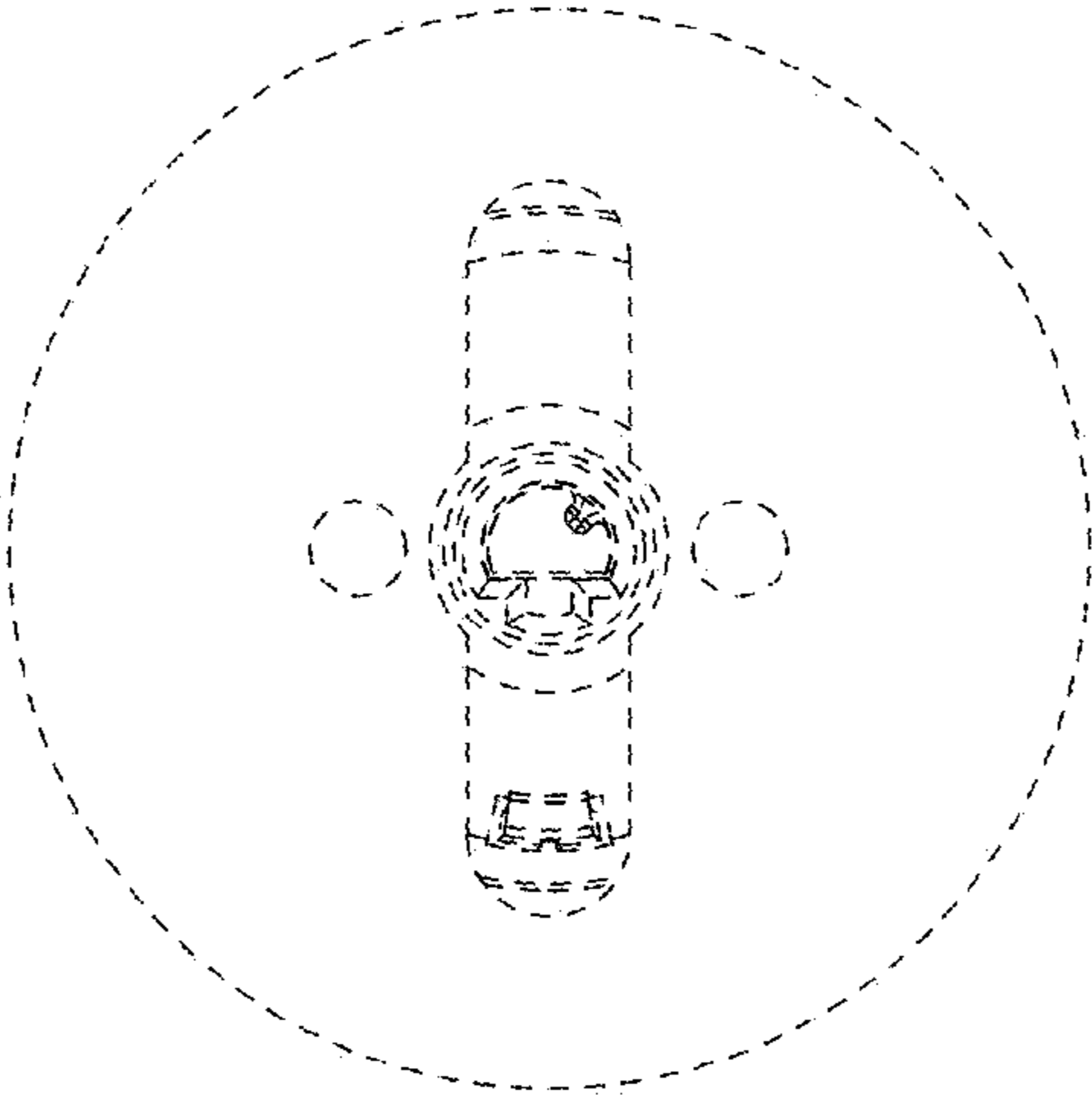


FIG. 3

FIG. 4

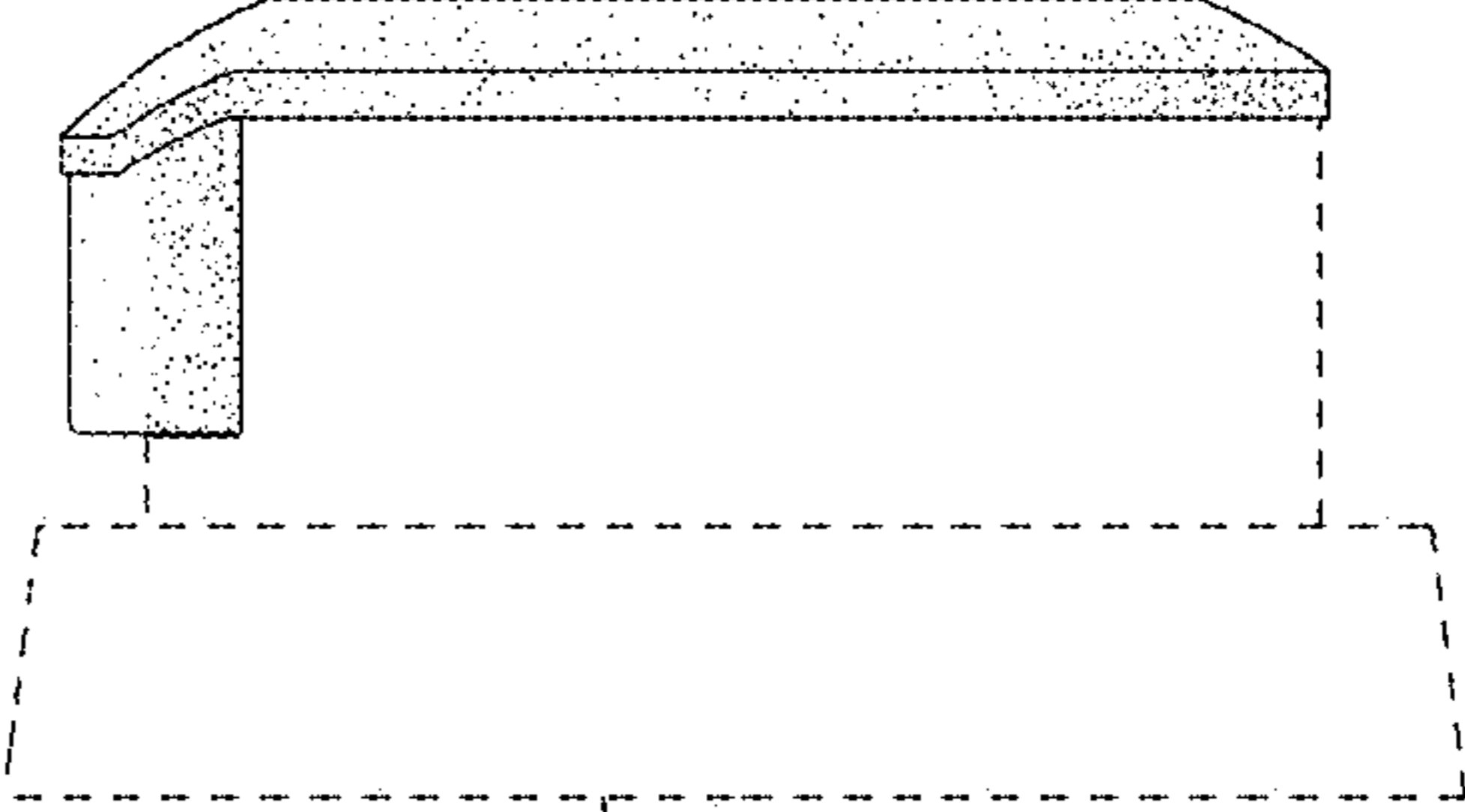


FIG. 5

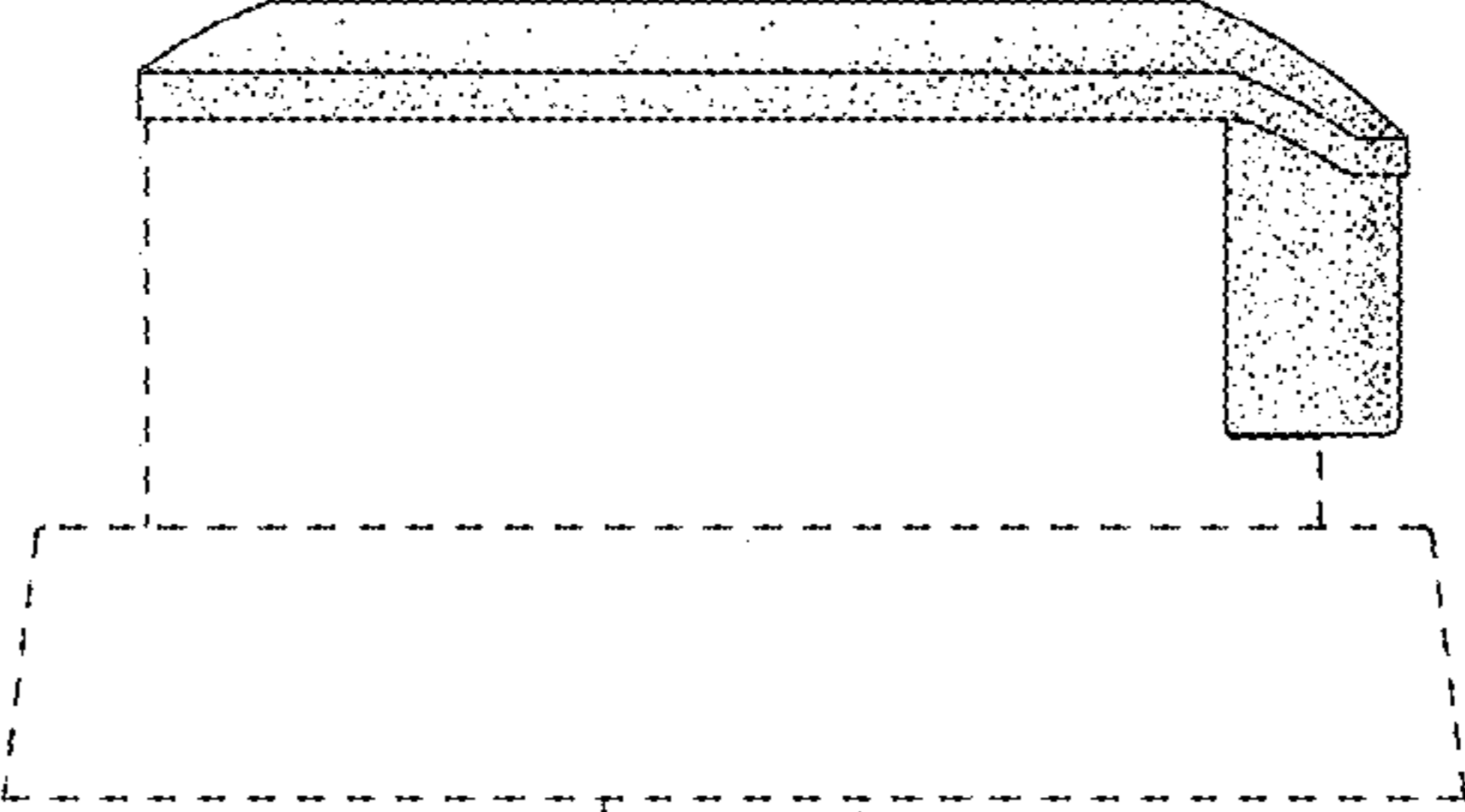


FIG. 6

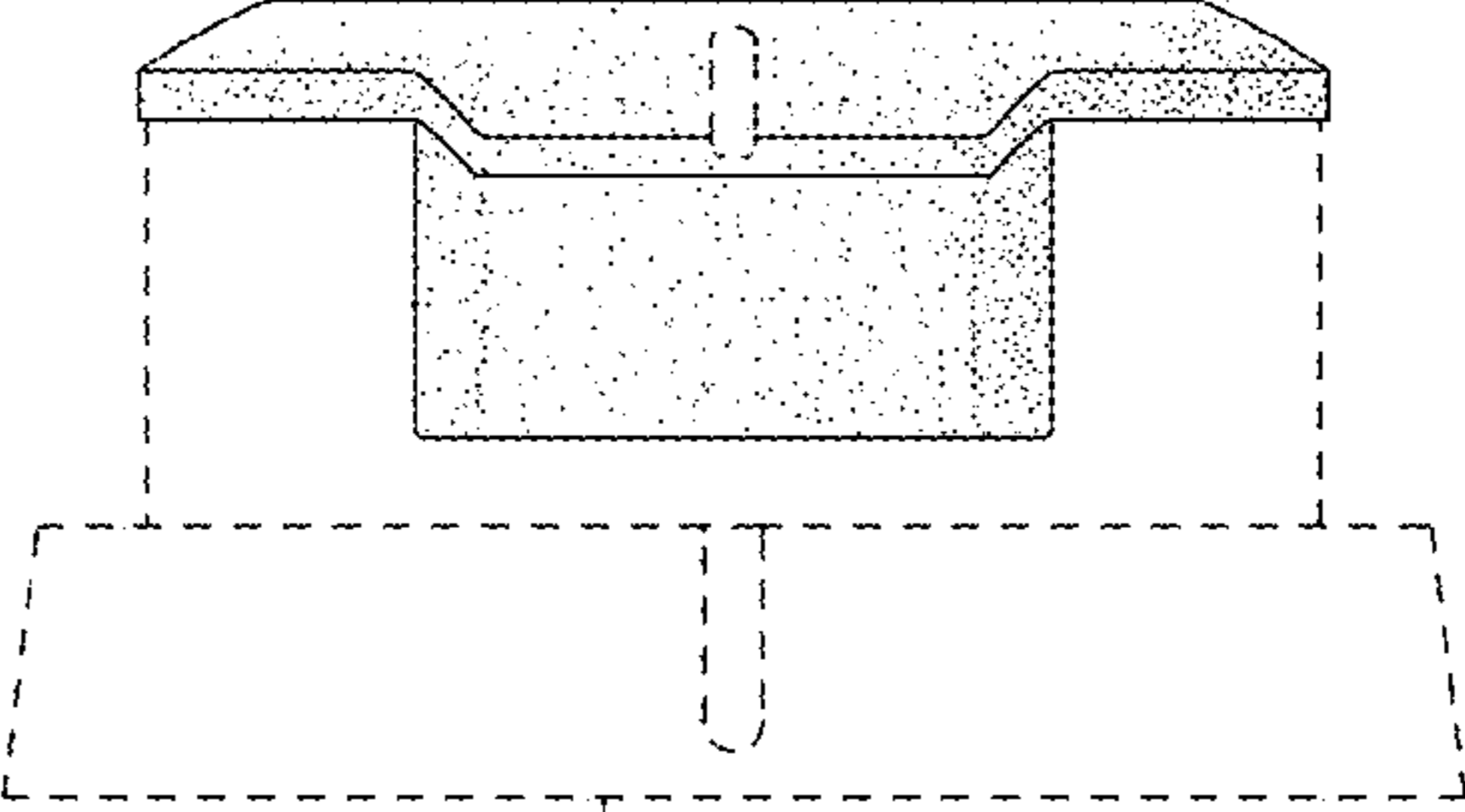


FIG. 7

