



US00D750949S

(12) **United States Design Patent**
Hofman et al.

(10) **Patent No.:** **US D750,949 S**
(45) **Date of Patent:** **** Mar. 8, 2016**

(54) **KNIFE WITH LIGHT**

D677,551 S * 3/2013 Pelton D8/99
D686,901 S * 7/2013 Bublitz et al. D8/99
D696,567 S * 12/2013 Leh et al. D8/99

(71) Applicant: **Revo Brand Group, LLC**, Plymouth,
MN (US)

(Continued)

(72) Inventors: **James Hofman**, Eden Prairie, MN (US);
Howard R. Tripp, Plymouth, MN (US)

OTHER PUBLICATIONS

Gunther Gifts; Mini-Light Knives; Product Webpage; Jan. 25, 2011;
<http://www.gunthergifts.com/swissarlig.html>.

(73) Assignee: **Revo Brand Group, LLC**, Plymouth,
MN (US)

(Continued)

(**) Term: **14 Years**

Primary Examiner — Susan Bennett Hattan

Assistant Examiner — Leanne Was

(21) Appl. No.: **29/511,193**

(74) *Attorney, Agent, or Firm* — Adams Grumbles, LLP;
Brittany Nanzig

(22) Filed: **Dec. 8, 2014**

(57) **CLAIM**

(51) **LOC (10) Cl.** **08-05**

The ornamental design for a knife with light, as shown and
described.

(52) **U.S. Cl.**

USPC **D8/104**

DESCRIPTION

(58) **Field of Classification Search**

USPC D7/649, 650, 652; D8/5, 7, 95–99, 101,
D8/104, 105, 107; D22/118; 7/118;
30/123, 151–154, 160, 294, 329, 333,
30/334, 336–338, 340, 342–345; 362/119,
362/120

See application file for complete search history.

FIG. 1 is a front elevational view of a knife with light showing
our new design; the broken lines depict a portion of the knife
with light that forms no part of the claimed design.

FIG. 2 is a back elevational view of the knife with light.

FIG. 3 is a top elevational view of the knife with light.

FIG. 4 is a bottom elevational view of the knife with light.

FIG. 5 is a left side elevational view of the knife with light.

FIG. 6 is a right side elevational view of the knife with light.

FIG. 7 is a front perspective view of the knife with light; the
broken lines depict a portion of the knife with light that forms
no part of the claimed design.

FIG. 8 is a back perspective view of the knife with light.

FIG. 9 is a front perspective view of the knife with light; the
broken lines depict a portion of the knife with light that forms
no part of the claimed design; and,

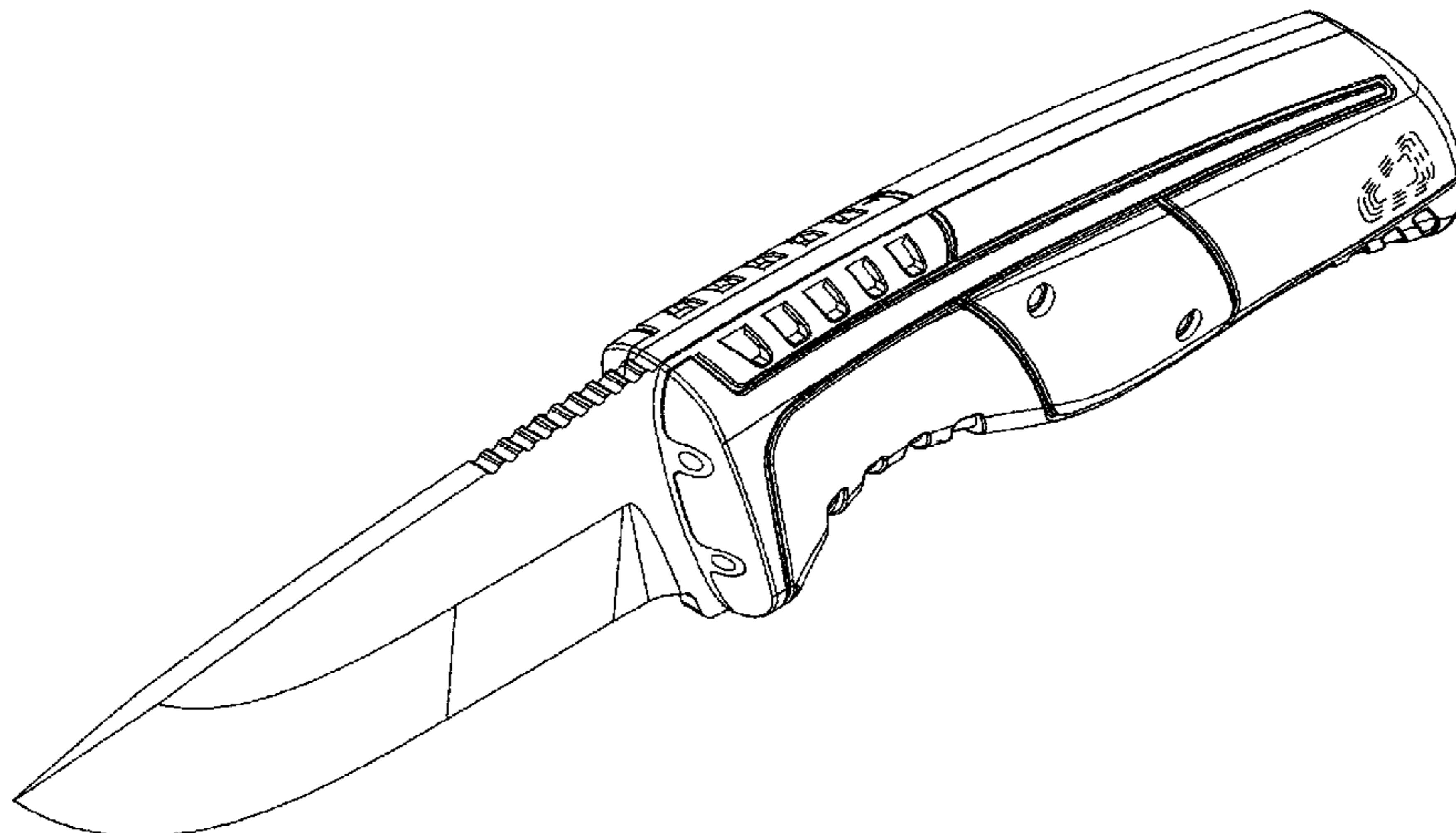
FIG. 10 is a back perspective view of the knife with light.

(56) **References Cited**

U.S. PATENT DOCUMENTS

4,442,600 A * 4/1984 Felix-Dalichow 30/161
D488,205 S 4/2004 Skowronski
7,008,076 B2 3/2006 Zirk
D549,799 S 8/2007 Kroll
7,306,366 B1 12/2007 Camenzind
D558,851 S * 1/2008 Onion D22/118
D560,998 S * 2/2008 Farland D8/99
D661,367 S * 6/2012 Seeds et al. D22/118
8,317,351 B2 11/2012 Brown

1 Claim, 8 Drawing Sheets



(56)

References Cited

U.S. PATENT DOCUMENTS

D696,919 S * 1/2014 Leh et al. D8/99
D696,920 S * 1/2014 Cagampang et al. D8/99
D697,578 S * 1/2014 Ameis D22/118
D697,781 S * 1/2014 Trbovich et al. D8/99
D698,406 S * 1/2014 Ameis D22/118
D703,509 S * 4/2014 Hyma D8/99
D703,510 S * 4/2014 Hyma D8/99
D706,107 S * 6/2014 Pelton D8/99
8,764,213 B2 * 7/2014 Cammenga et al. 362/119
D716,127 S * 10/2014 Leh et al. D8/99
D716,411 S * 10/2014 Ameis D22/118
D720,978 S * 1/2015 Fickling D8/99
D724,926 S * 3/2015 Hernandez et al. D8/105
D728,339 S * 5/2015 Bloch D8/99

D732,367 S * 6/2015 Parker et al. D8/99
2004/0187313 A1 * 9/2004 Zirk et al. 30/123
2006/0164846 A1 7/2006 Kim

OTHER PUBLICATIONS

Anne M Hines; Non-Final Office Action for U.S. Appl. No. 13/463,521; USPTO Communication; Sep. 12, 2013.
SOG Speciality Knives & Tools, LLC; BladeLight Hunt; Product Webpage; Apr. 2, 2014; <http://www.sogknives.com/bladelight-hunt.html>.
Buck Knives; Buck 731 X-Tract LED One Handed Opening Multi-Tool with LED Light; Product Webpage; Apr. 25, 2009; <http://www.amazon.com/Buck-X-Tract-Handed-Opening-Multi-Tool/dp/B0015LL5HU>.

* cited by examiner

FIG. 1

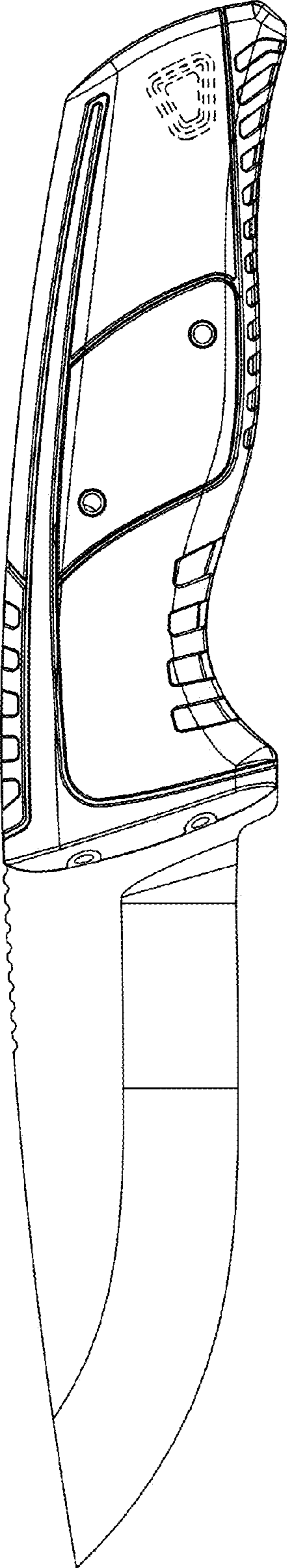


FIG. 2

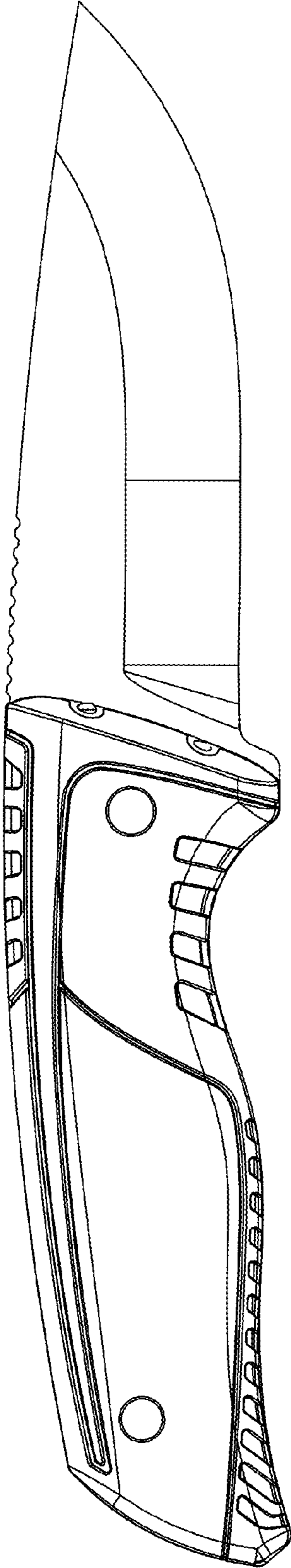


FIG. 3

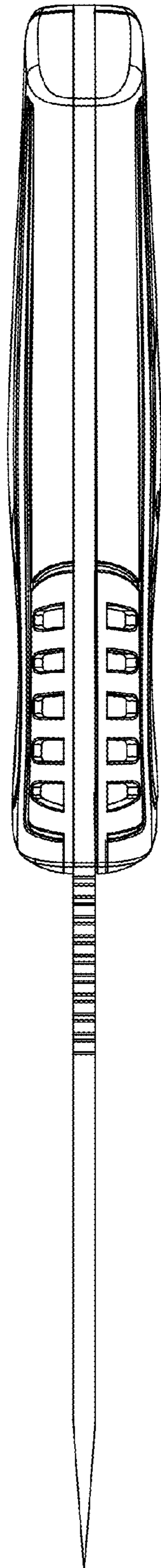


FIG. 4

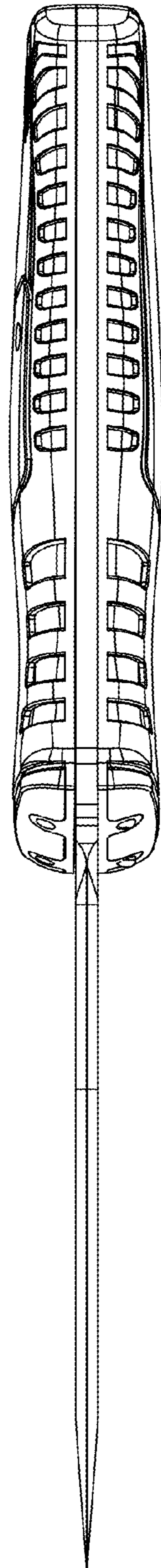


FIG. 6

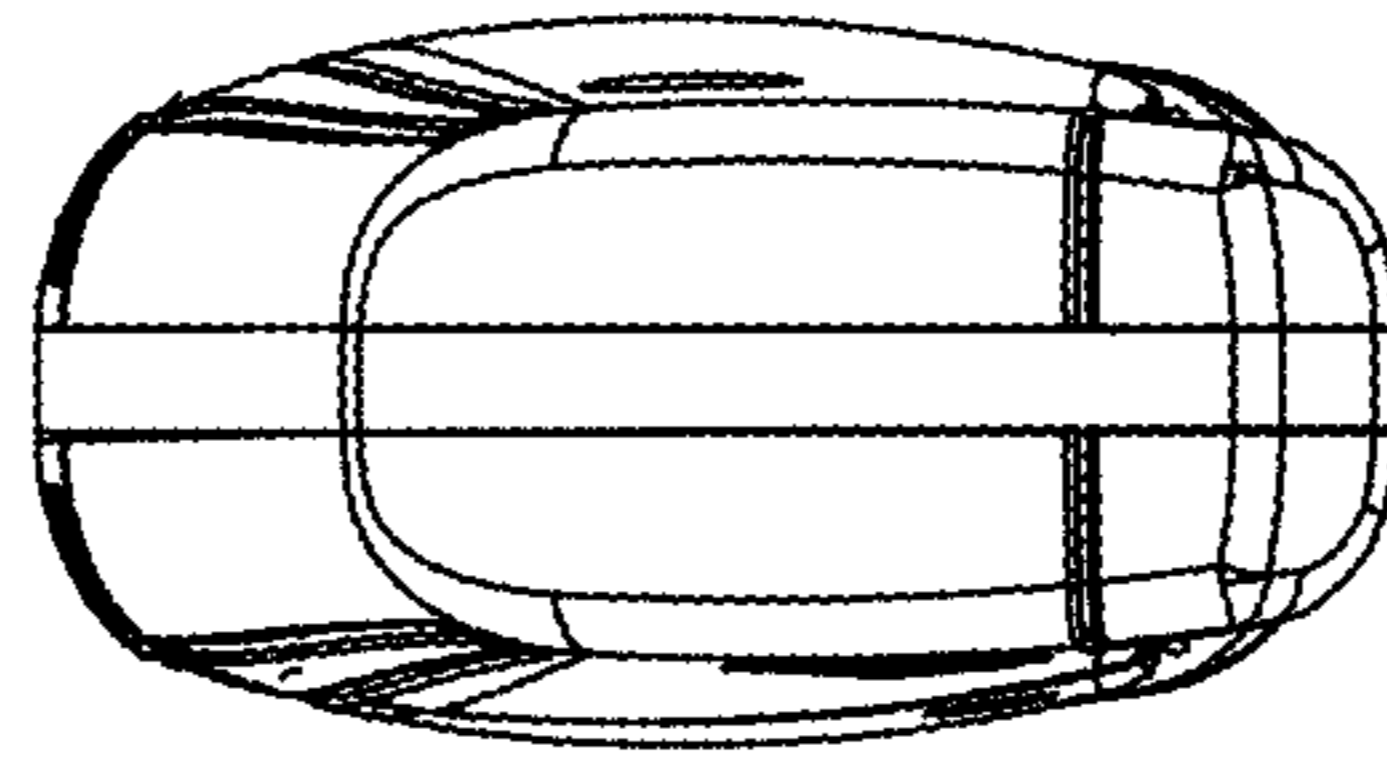


FIG. 5

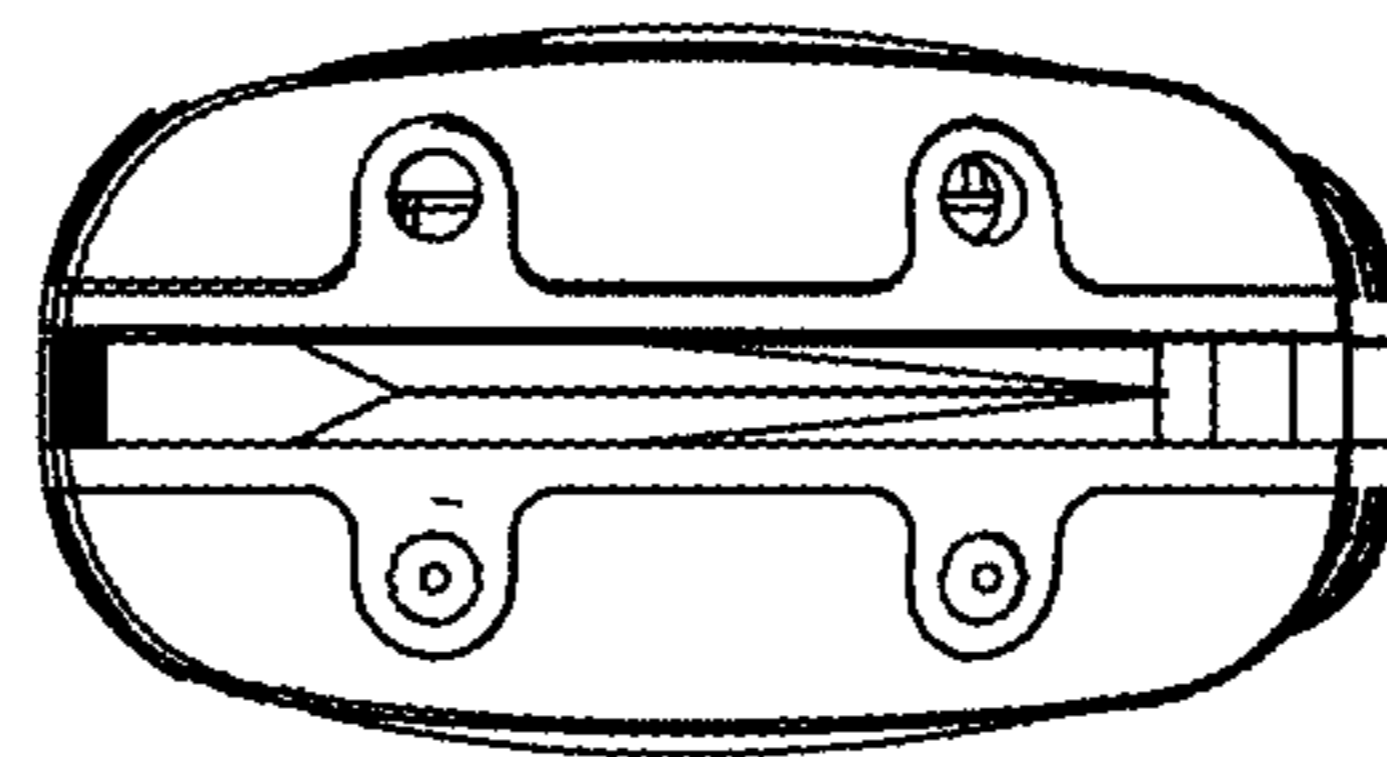


FIG. 7

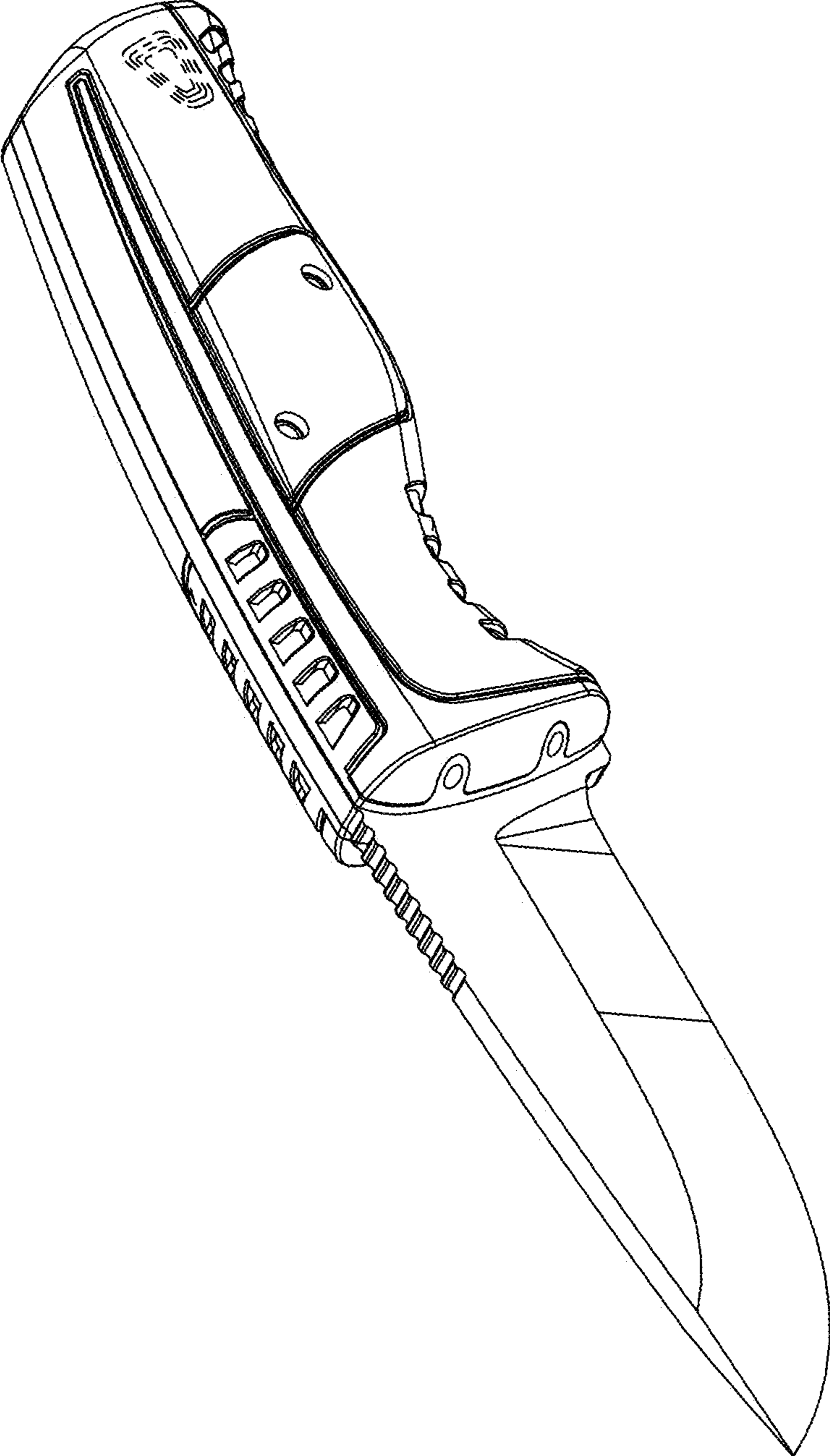


FIG. 8

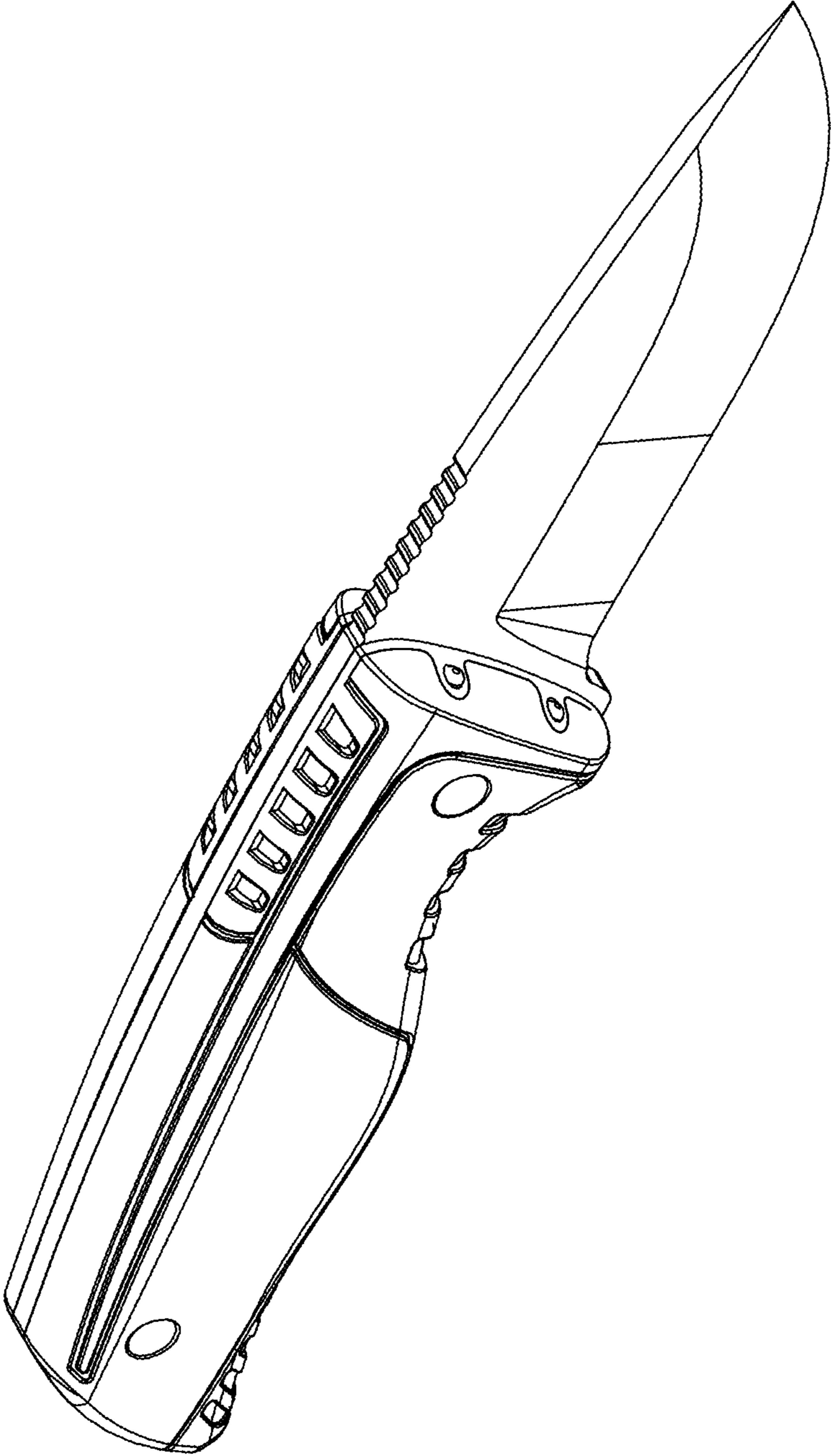


FIG. 9

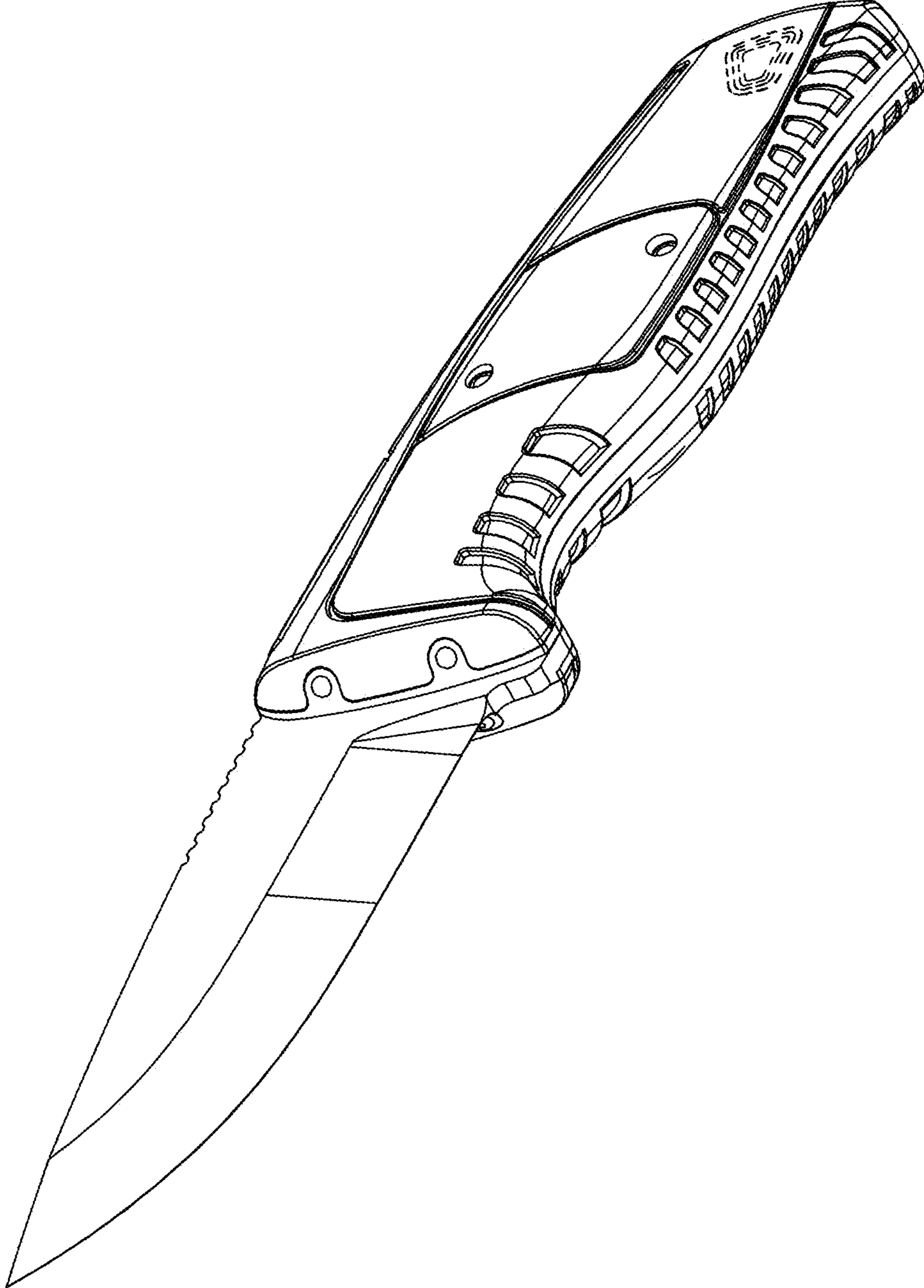


FIG. 10

