



US00D750948S

(12) **United States Design Patent**
Pelton

(10) **Patent No.:** **US D750,948 S**
(45) **Date of Patent:** **** Mar. 8, 2016**

(54) **KNIFE**

(71) Applicant: **DPX VENTURES LIMITED**, Ras Al
Khaimah (AE)

(72) Inventor: **Robert Young Pelton**, Bonsall, CA (US)

(73) Assignee: **DPX VENTURES LIMITED**, Ras Al
Khaimah (AE)

(**) Term: **14 Years**

(21) Appl. No.: **29/464,892**

(22) Filed: **Aug. 22, 2013**

Related U.S. Application Data

(63) Continuation-in-part of application No. 29/433,008,
filed on Sep. 24, 2012, now Pat. No. Des. 699,091,
which is a continuation of application No. 29/413,759,
filed on Feb. 20, 2012, now Pat. No. Des. 677,551,
which is a continuation of application No. 13/312,965,
filed on Dec. 6, 2011, now Pat. No. 8,695,138.

(51) **LOC (10) Cl.** **08-03**

(52) **U.S. Cl.**
USPC **D8/99**

(58) **Field of Classification Search**
USPC D8/98, 99, 107
CPC B26B 1/00; B26B 1/02; B26B 1/04;
B26B 1/042; B26B 1/044; B26B 1/046;
B26B 1/048

See application file for complete search history.

(56) **References Cited**

U.S. PATENT DOCUMENTS

1,455,621 A 5/1923 Joyner
2,315,898 A 4/1943 Krilow

(Continued)

FOREIGN PATENT DOCUMENTS

DE 10130178 1/2003
DE 202009001850 12/2009

OTHER PUBLICATIONS

DPx Hest 2.0 Knife Survival Blade, http://www.bladehq.com/item--ESEE-DPx_HEST-Folder--6996, downloaded Sep. 26, 2012.

(Continued)

Primary Examiner — Phillip S Hyder

(74) *Attorney, Agent, or Firm* — ARC IP Law, PC; Joseph J. Mayo

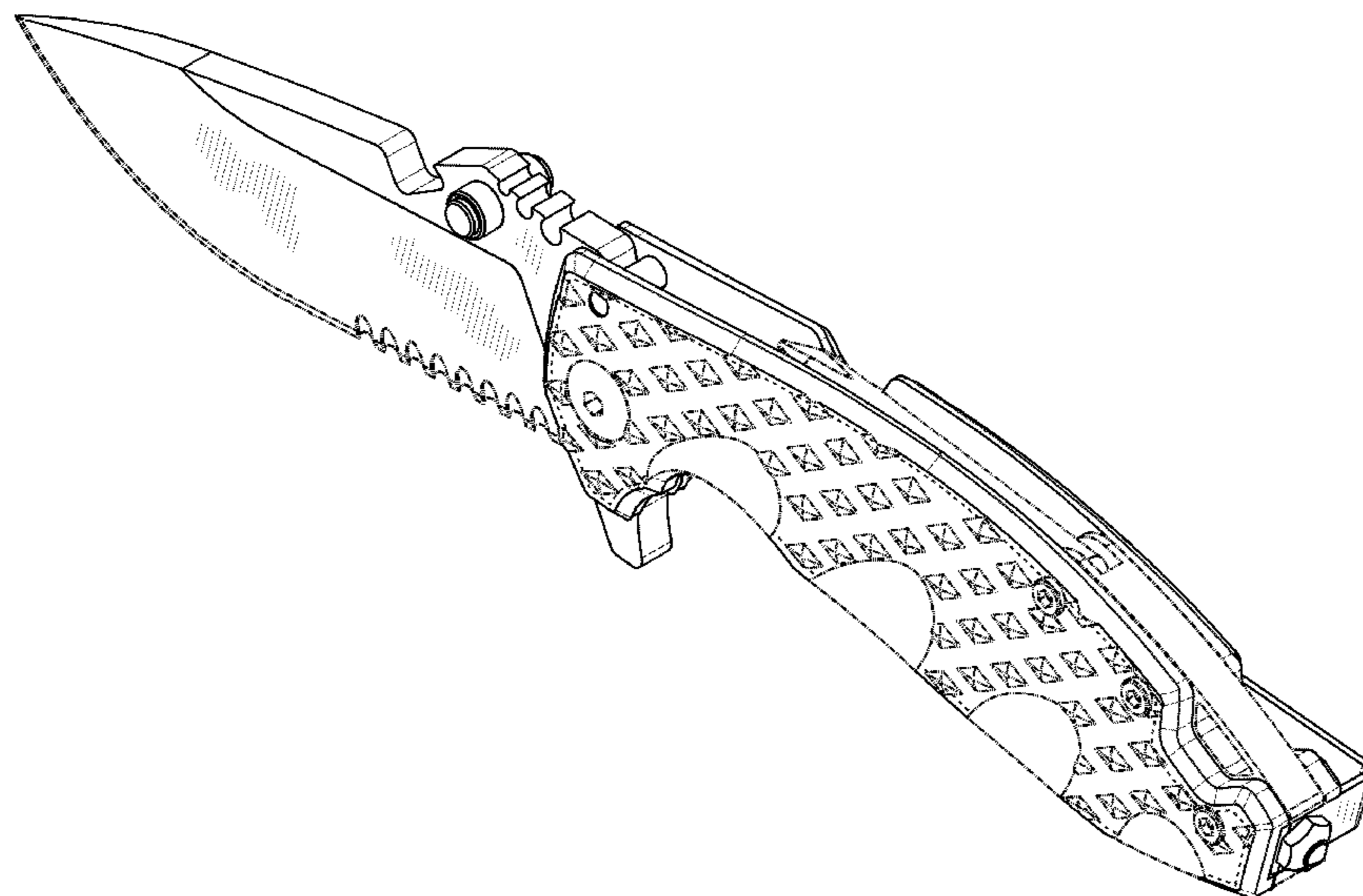
(57) **CLAIM**

The ornamental design for a knife, as shown and described.

DESCRIPTION

FIG. 1 is a left upper perspective view of a knife.
FIG. 2 is a left side view of the knife of FIG. 1.
FIG. 3 is a right side view of the knife of FIG. 1.
FIG. 4 is a front view of the knife of FIG. 1.
FIG. 5 is a rear view of the knife of FIG. 1.
FIG. 6 is a top view of the knife of FIG. 1.
FIG. 7 is a bottom view of the knife of FIG. 1; and,
FIG. 8 is a lower right perspective view of the knife.
The broken line showing is for optional or unclaimed subject matter including for example optional diamond shaped texture on the scales of the knife, optional finger indentations on the left side of the knife and other optional elements or for environmental purposes only and forms no part of the claimed design.

1 Claim, 5 Drawing Sheets



(56)

References Cited

U.S. PATENT DOCUMENTS

D141,321 S 5/1945 Gallagher
 2,440,485 A 4/1948 Ranseen
 D169,490 S 5/1953 Hug
 D169,797 S 6/1953 Wallace
 2,951,482 A 9/1960 Sullivan
 D224,388 S 7/1972 Wood
 3,760,438 A 9/1973 White
 D230,696 S 3/1974 Evrell et al.
 D245,830 S 9/1977 De Gross
 4,300,610 A 11/1981 China
 4,363,147 A 12/1982 Deweese
 4,442,559 A 4/1984 Collins
 4,553,279 A 11/1985 Gassew et al.
 4,578,864 A 4/1986 Hoffman
 4,622,707 A 11/1986 Finn
 D288,895 S 3/1987 Sarnoff et al.
 4,669,140 A 6/1987 Miceli
 4,817,221 A 4/1989 Ryan
 4,821,356 A 4/1989 Finn
 D308,009 S 5/1990 Evrell
 5,259,281 A 11/1993 Burke
 5,328,026 A 7/1994 Newman
 D360,815 S 8/1995 Padden
 D369,287 S 4/1996 Seber et al.
 5,511,310 A 4/1996 Sessions et al.
 D371,289 S 7/1996 Huang
 D371,820 S 7/1996 Thompson
 D374,388 S 10/1996 Padden
 5,596,808 A 1/1997 Lake et al.
 5,620,090 A 4/1997 Beeley
 5,642,567 A 7/1997 Lin
 5,657,543 A 8/1997 Collins
 D383,370 S 9/1997 Chen et al.
 D385,471 S 10/1997 Seber et al.
 5,727,319 A 3/1998 Myerchin et al.
 5,727,325 A 3/1998 Mussell
 D393,405 S 4/1998 Seber et al.
 D398,211 S 9/1998 Howard
 6,009,581 A 1/2000 Davis et al.
 6,009,582 A 1/2000 Harrison et al.
 6,009,584 A 1/2000 Padden
 D422,478 S 4/2000 Elishewitz
 D422,669 S 4/2000 Elishewitz
 D425,389 S 5/2000 Elishewitz
 6,085,620 A 7/2000 Anderson et al.
 D434,624 S 12/2000 Padden
 D435,409 S 12/2000 Roberts
 D435,421 S 12/2000 Strider et al.
 D442,461 S 5/2001 Glesser
 D446,571 S 8/2001 Frazer
 6,318,218 B1 11/2001 Anderson et al.
 D452,123 S 12/2001 Kelleghan
 6,347,875 B1 2/2002 Painsith
 D473,917 S 4/2003 Carter
 6,571,940 B2 6/2003 Newman
 6,574,816 B2 6/2003 Yu Chen
 D479,970 S 9/2003 Hutchinson
 6,782,576 B1 8/2004 Valencic et al.
 D495,940 S * 9/2004 Keppel et al. D8/99
 D496,425 S 9/2004 Carter
 D497,531 S 10/2004 Carter
 D508,194 S 8/2005 Carter
 6,957,466 B2 10/2005 Rivera
 D515,654 S 2/2006 Trbovich, Jr.
 D519,185 S 4/2006 Carter
 D520,825 S 5/2006 Kelleghan
 7,036,174 B2 5/2006 Painsith et al.
 D523,317 S 6/2006 Ryan et al.
 D527,788 S 9/2006 Kellgren
 D536,593 S 2/2007 Fraga
 D553,467 S 10/2007 Ryan
 D553,468 S 10/2007 Freeman
 7,302,760 B2 12/2007 Lake
 D560,955 S 2/2008 Shin et al.
 D560,995 S * 2/2008 Onion D8/99

D563,755 S 3/2008 Wu
 7,337,486 B2 3/2008 Tsuda et al.
 D566,513 S 4/2008 Marfione
 7,360,267 B2 4/2008 Quenzi
 D572,562 S * 7/2008 Hawk et al. D8/99
 7,415,745 B2 8/2008 Rivera
 D578,856 S * 10/2008 Martin D8/99
 D595,557 S * 7/2009 Hawk et al. D8/99
 D599,640 S 9/2009 Yang-Fu
 D599,641 S 9/2009 Yang-Fu
 D600,090 S 9/2009 Yang-Fu
 D609,992 S 2/2010 Delaney
 7,676,932 B2 3/2010 Grice et al.
 D614,933 S 5/2010 Freeman
 D624,386 S 9/2010 van Deursen
 7,818,843 B2 10/2010 Kinskey et al.
 D632,154 S 2/2011 Yang-Fu
 D634,174 S * 3/2011 Ryan et al. D8/99
 7,913,398 B2 3/2011 Chu
 D639,632 S 6/2011 Freeman et al.
 D642,888 S 8/2011 Port et al.
 D653,520 S * 2/2012 Chang D8/99
 D654,343 S 2/2012 Wu
 D672,841 S 12/2012 Pelton
 D672,842 S 12/2012 Pelton
 D675,897 S 2/2013 Wu
 D677,551 S * 3/2013 Pelton D8/99
 D679,975 S 4/2013 Pelton
 8,464,382 B2 6/2013 Chu
 D697,780 S * 1/2014 Pelton D8/99
 8,695,138 B2 * 4/2014 Pelton 7/118
 D706,107 S * 6/2014 Pelton D8/99
 2006/0027645 A1 2/2006 Granick
 2007/0028452 A1 2/2007 LaFauci et al.
 2007/0245497 A1 10/2007 Tsuda et al.
 2008/0222895 A1 9/2008 Marfione et al.
 2008/0271257 A1 11/2008 Frazer
 2009/0000038 A1 1/2009 Padden
 2010/0299933 A1 12/2010 Vellekamp
 2012/0017443 A1 1/2012 Hao
 2012/0110746 A1 5/2012 Allard
 2013/0232793 A1 9/2013 Fazal

OTHER PUBLICATIONS

Sheffield Moab Folding Rescue Knife, <http://www.autogeek.net/sheffield-rescue-knife.html>, downloaded Sep. 27, 2012.
 Ontario Hest Original Fixed Blade. Downloaded from <http://www.sears.com/ontario-hest-origina-fixed-blade/p-SPM6596962201?prdNo=2&bl...> on Nov. 16, 2012.
 Extended European Patent Search, dated Mar. 15, 2013, 5 pages.
 CRKT Columbia River Knife and Tool's Exitool 9030 Multi Tool, retrieved from <http://www.amazon.com/Columbia-River-Knife-Exitool-9030/dp/B0030IV8TG> on Jul. 24, 2012, 6 pages.
 Boker Plus Credit Card Knife 2 1/4" Blade, retrieved from <http://www.knifecenter.com> on Jul. 24, 2012, 2 pages.
 The Original Dog Tag Knife, Titanium Blade, Black Rubber Frame, retrieved from <http://www.knifeworks.com/theoriginaldogtagknifetitaniumblade.aspx> on Jul. 24, 2012, 4 pages.
 Iain Sinclair, CardSharp 2, retrieved from <http://iainsinclair.com/products.php> on Jul. 24, 2012, 1 page.
 SE MT908 11 Function Credit Card Size Survival Pocket Tool, retrieved from <http://www.amazon.com/SE-MT908-Function-Credit-Survival/dp/B000Q06L14> on Jul. 24, 2012, 6 pages.
 ICE Companion with Lens/Compass—Translucent, retrieved from <http://www.sogshopping.com/tools/icc1-12.html?SID=pp1bedicbg7qm82okgt77lacd6> on Jul. 24, 2012, 1 page.
 Survival Card w/ Fire Starter/Compass—Charcoal, retrieved from <http://www.toollogic.com/tools/svc1-38.html> on Jul. 24, 2012, 1 page.
 Blackwater Aculus Limited Edition Knife. [Http://www.dpxgear.com/shop/aculus-coming-soon.html](http://www.dpxgear.com/shop/aculus-coming-soon.html), Jun. 2, 2013.
 "Microtech Troodon Double Edge OTF Knife, Beadblast Plain Edge,138-8", webpage retrieved on Jul. 24, 2012, www.bladeops.com.com, BladeOps, LLC, 2 pages.

* cited by examiner

FIGURE 1

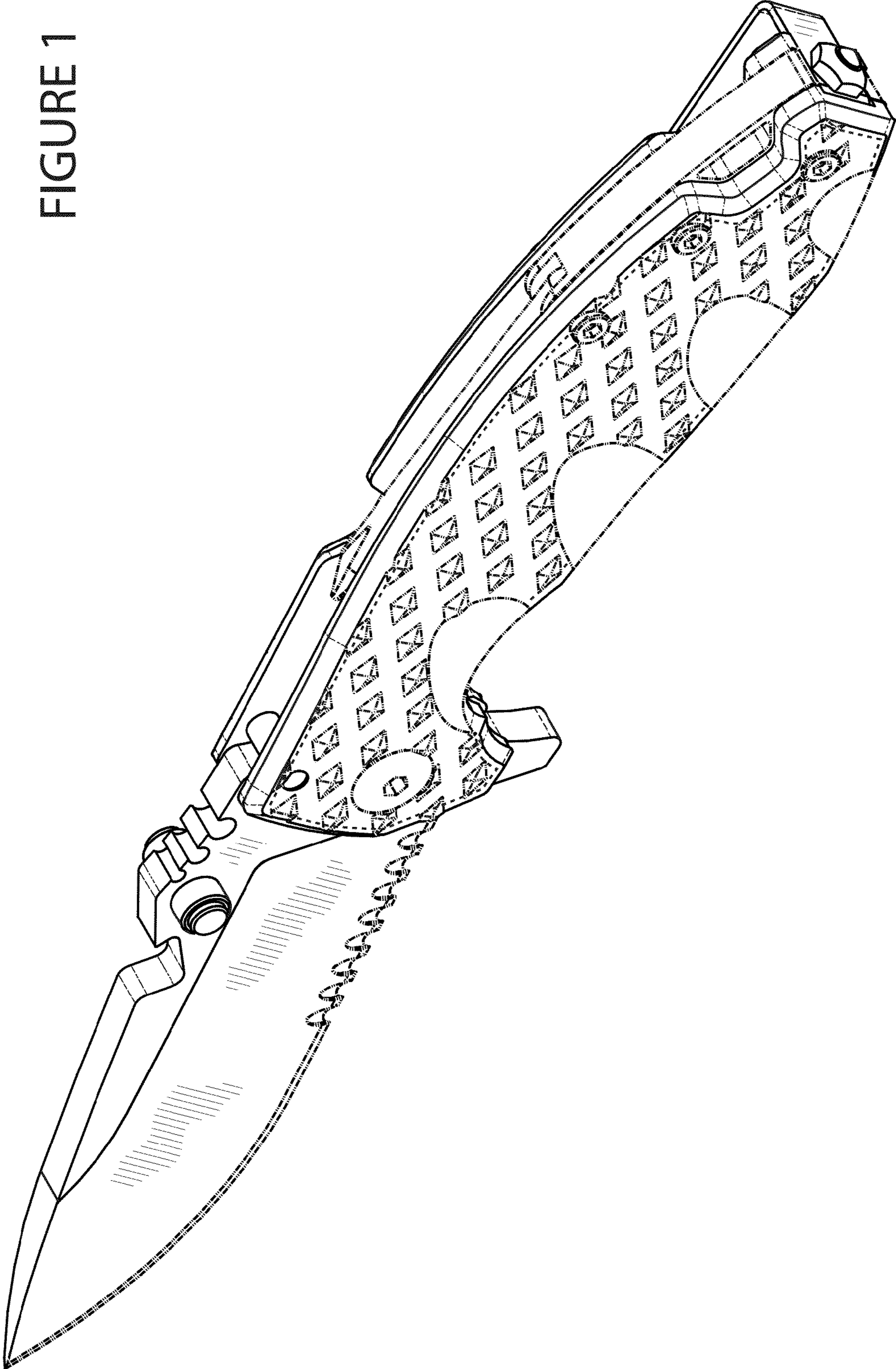


FIGURE 2

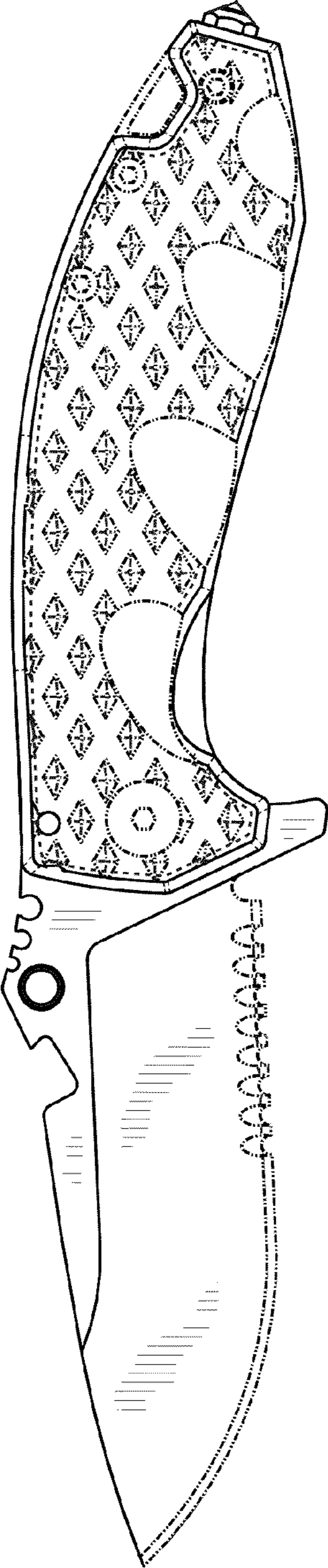


FIGURE 3

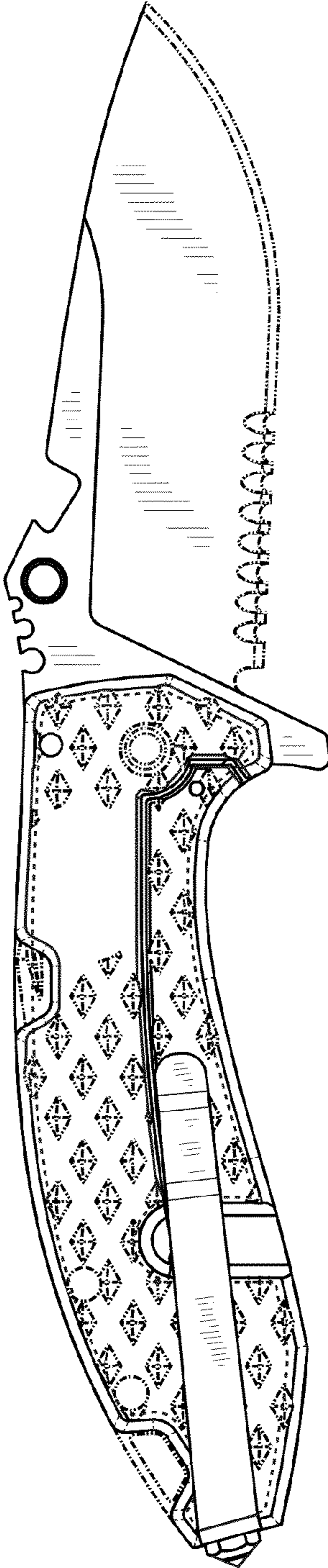


FIGURE 5

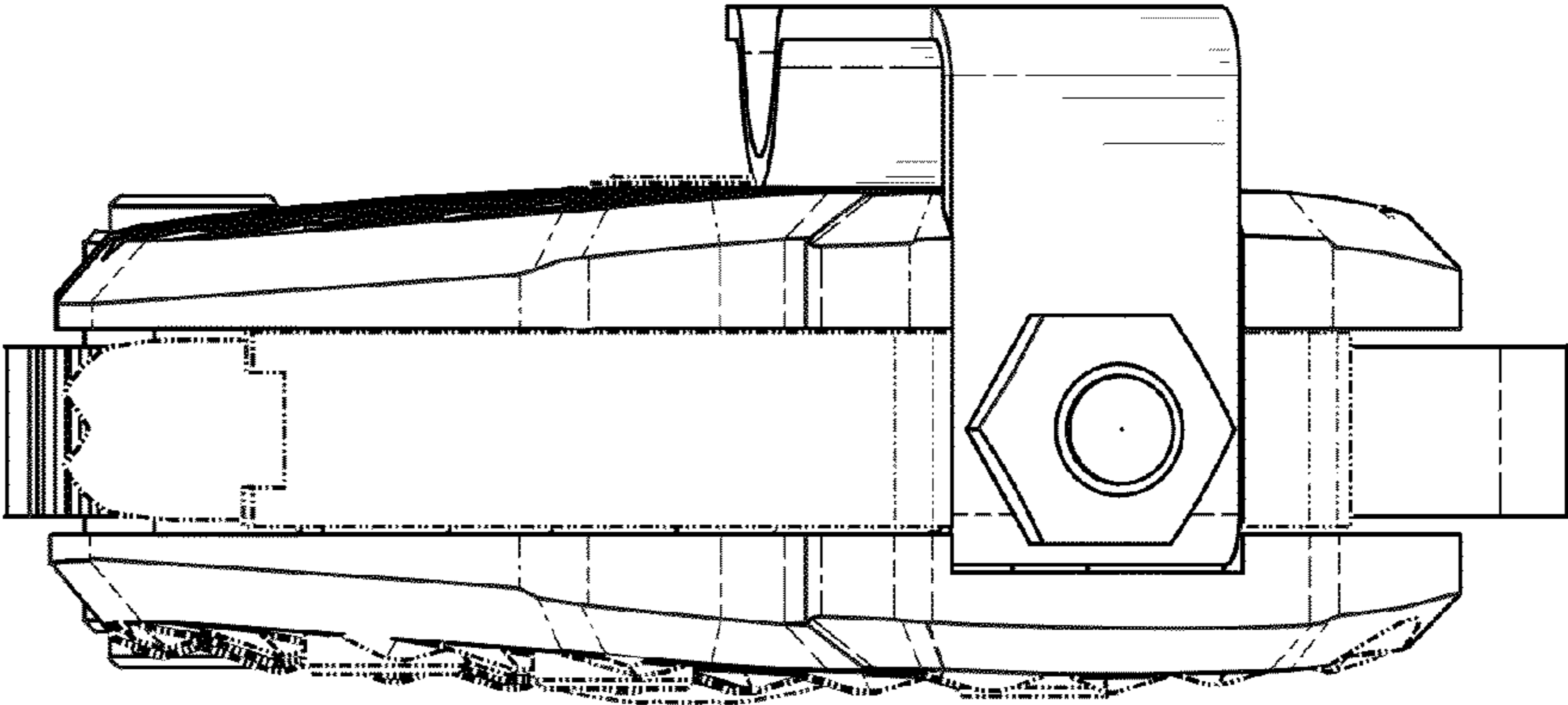


FIGURE 4

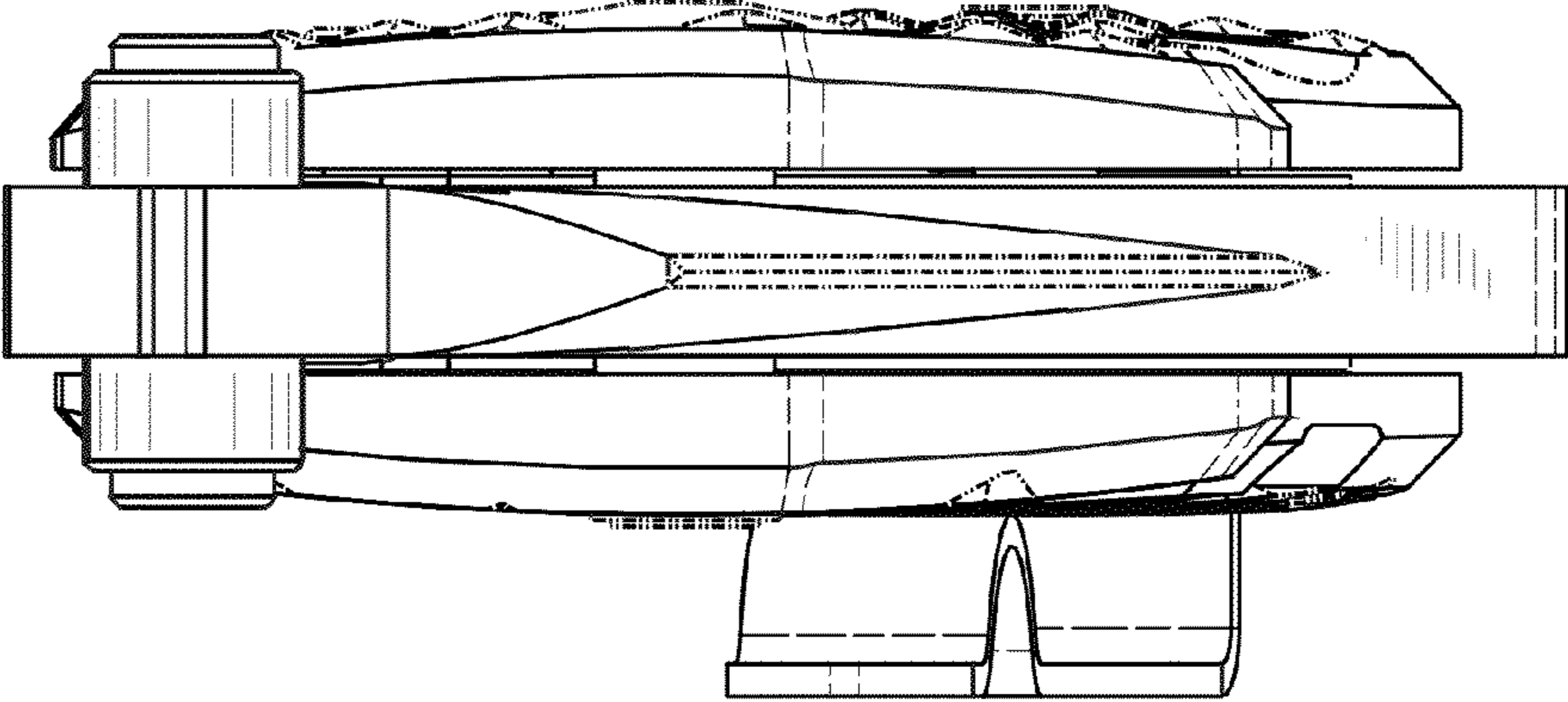


FIGURE 6

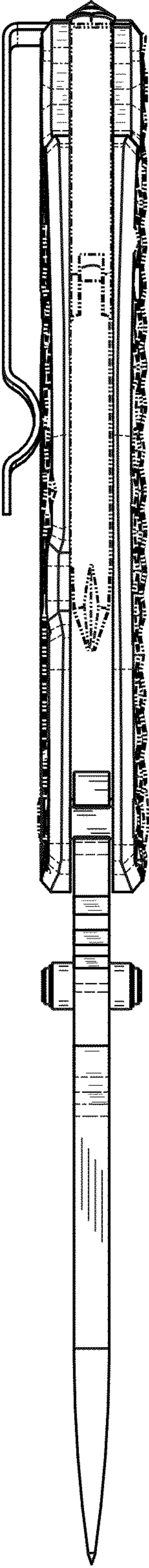


FIGURE 7

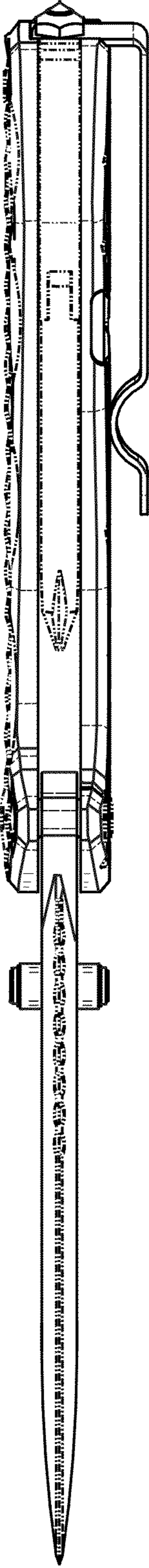


FIGURE 8

