



US00D750946S

(12) **United States Design Patent**  
**Hardman**

(10) **Patent No.:** **US D750,946 S**  
(45) **Date of Patent:** **\*\* Mar. 8, 2016**

(54) **BAR FOR RELEASING AND WINDING LOAD STRAPS**

D546,147 S \* 7/2007 Cullen ..... D8/16  
D622,568 S \* 8/2010 Sanchez ..... D8/44  
D683,602 S \* 6/2013 Jones ..... D8/14

(71) Applicant: **Rex Hardman**, South Bloomingville, OH (US)

\* cited by examiner

(72) Inventor: **Rex Hardman**, South Bloomingville, OH (US)

*Primary Examiner* — Robert M Spear

*Assistant Examiner* — Eliza Bennett-Hattan

(\*\*) Term: **14 Years**

(74) *Attorney, Agent, or Firm* — Bryce D Miracle; Miracle IP

(21) Appl. No.: **29/483,048**

(57) **CLAIM**

The ornamental design for a bar for releasing and winding load straps, substantially as shown and described.

(22) Filed: **Feb. 25, 2014**

(51) **LOC (10) Cl.** ..... **08-05**

(52) **U.S. Cl.**  
USPC ..... **D8/44**

**DESCRIPTION**

(58) **Field of Classification Search**  
USPC ..... D8/44, 358, 60, 314, 499, 382, 360, D8/359, 349, 380; D6/515; D12/96, 106, D12/400, 223, 217  
CPC ..... B66D 3/006; B66D 3/18; B66D 3/26; B66D 3/02; B66D 3/14; B63B 21/18; B63B 21/26; B65B 57/005; A61G 7/1051; A61G 7/1061; B65H 16/02; B65H 2301/4131; B65H 75/4471; B66B 11/08  
See application file for complete search history.

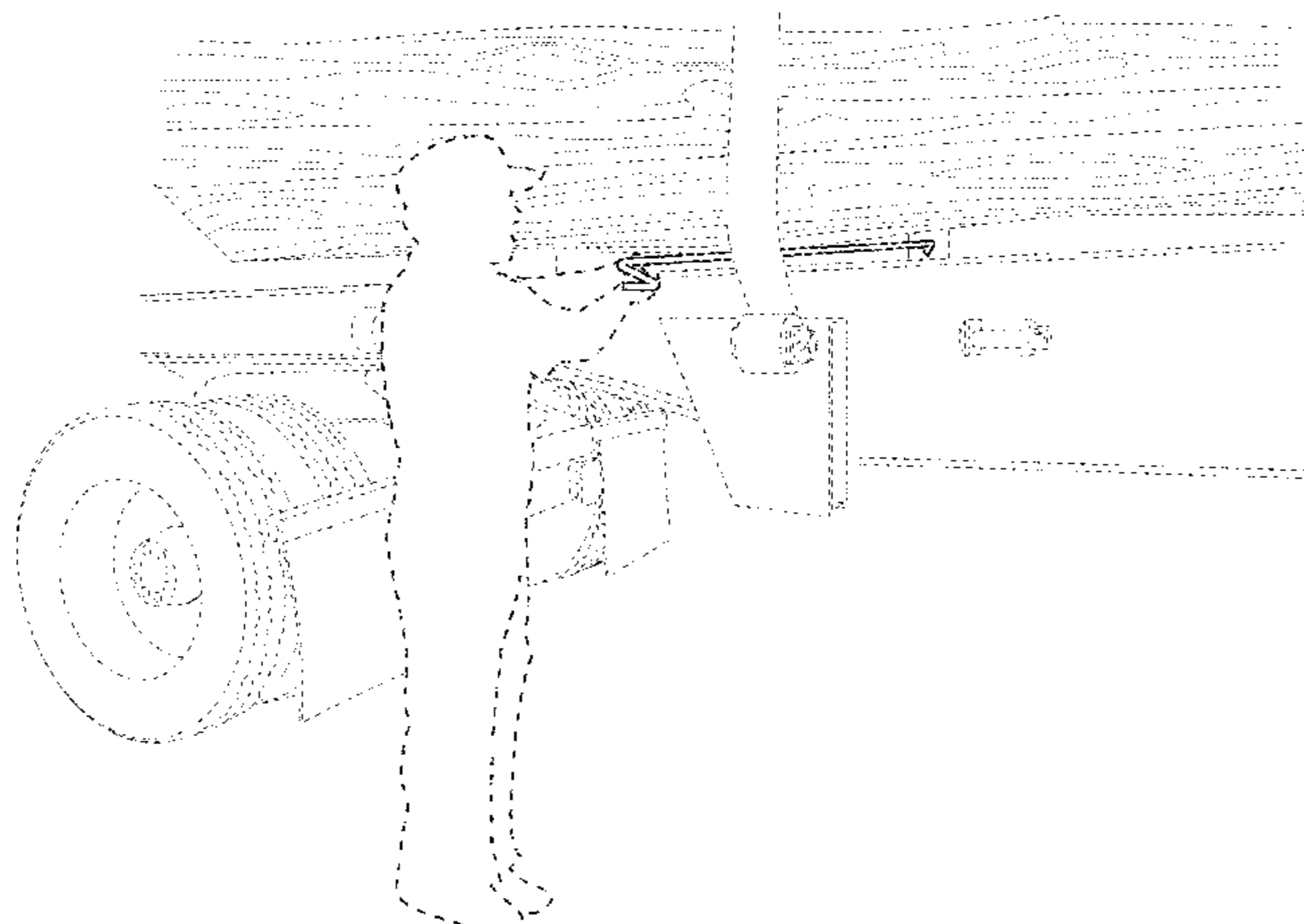
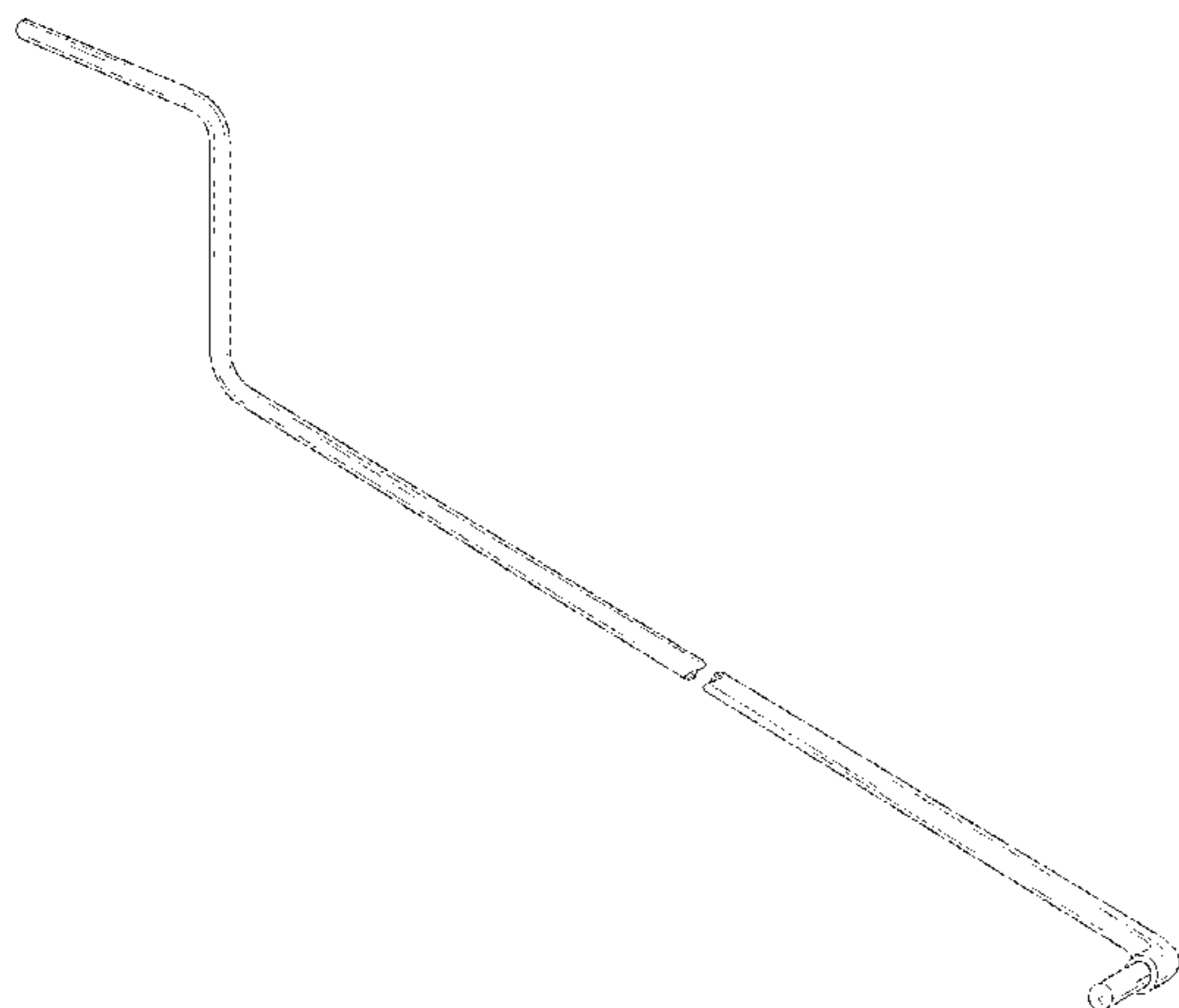
FIG. 1 is a right side, front perspective view of a first embodiment of the bar for releasing and winding load straps showing the new design;  
FIG. 2 is a bottom plan view thereof;  
FIG. 3 is a top plan view thereof;  
FIG. 4 is a rear elevation view thereof;  
FIG. 5 is a front elevation view thereof;  
FIG. 6 is a right side elevation view thereof;  
FIG. 7 is a left side elevation view thereof;  
FIG. 8 is an exemplary illustrative view of the bar for releasing and winding load straps winding a load strap;  
FIG. 9 is an exemplary illustrative view of the bar for releasing and winding load straps releasing a load strap; and,  
FIG. 10 is an exemplary illustrative view of the bar for releasing and winding load straps tightening a load strap.  
The bar for releasing and winding load straps is shown with a symbolic break in its length. The appearance of any portion of the article between the break lines forms no part of the claimed design.

(56) **References Cited**

U.S. PATENT DOCUMENTS

D34,630 S \* 6/1901 Elder ..... D8/44  
D227,215 S \* 6/1973 Thevemin ..... D8/44  
D413,253 S \* 8/1999 Kalat ..... D8/382  
D423,332 S \* 4/2000 Salter ..... D8/359  
6,398,470 B1 \* 6/2002 Mosley ..... 410/100  
D526,173 S \* 8/2006 Hudson ..... D8/44  
D531,011 S \* 10/2006 Dawson ..... D8/359

**1 Claim, 7 Drawing Sheets**



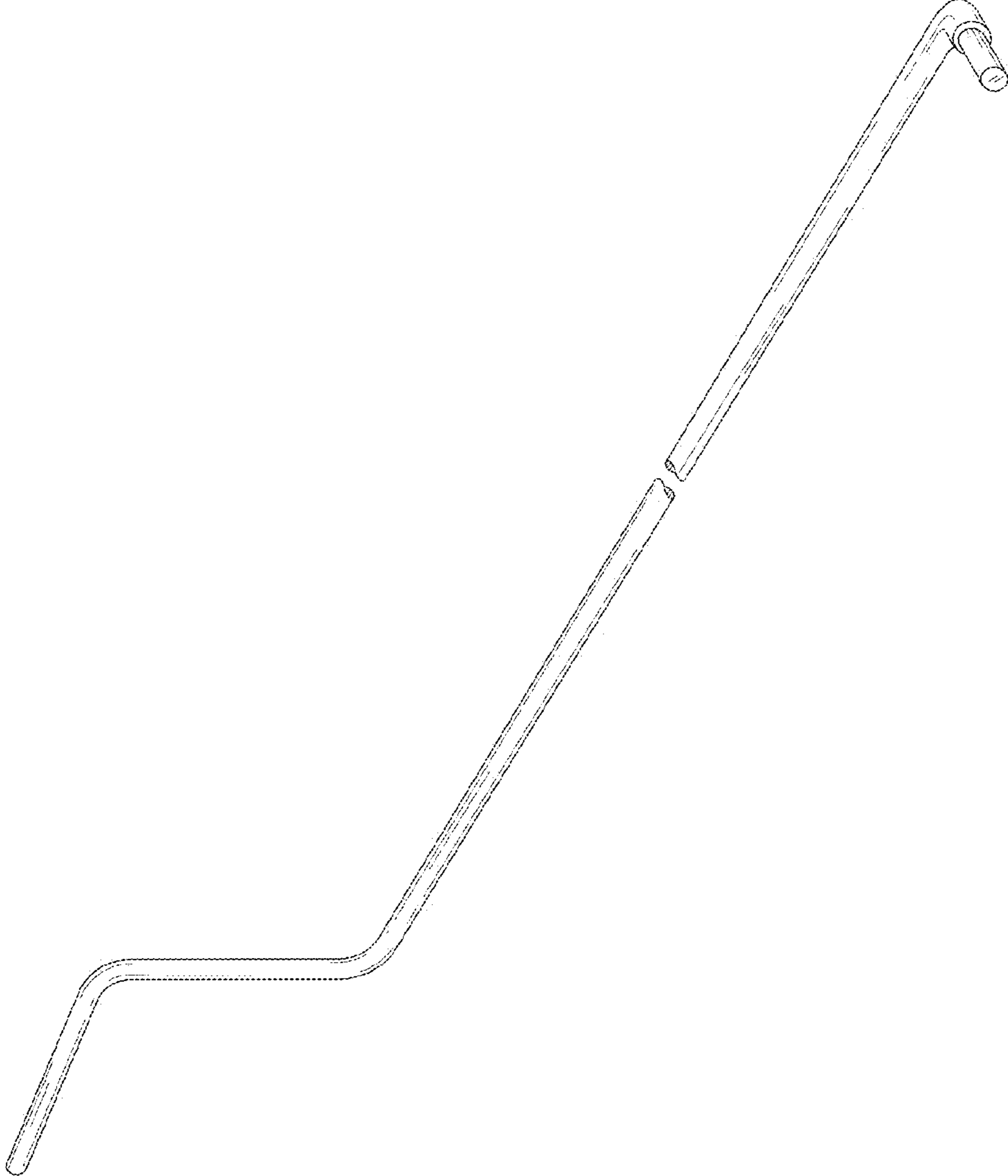


FIG. 1



FIG. 2

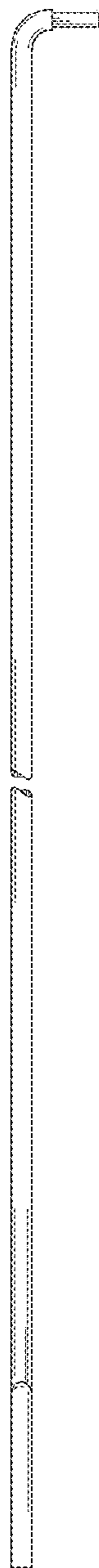


FIG. 3

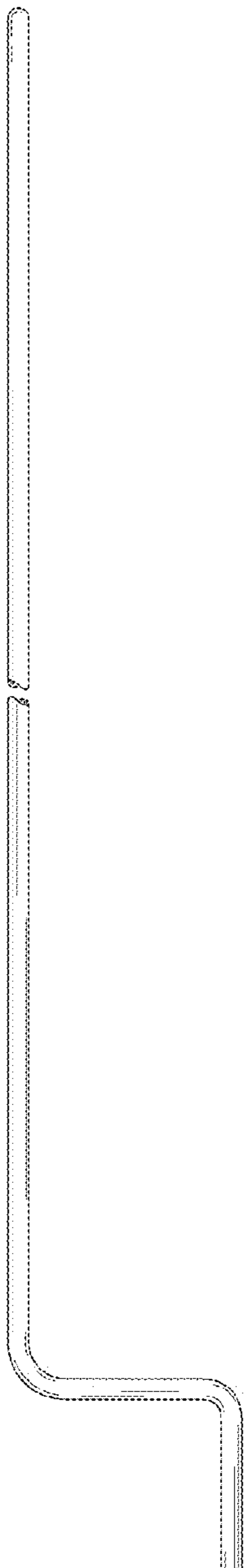


FIG. 4

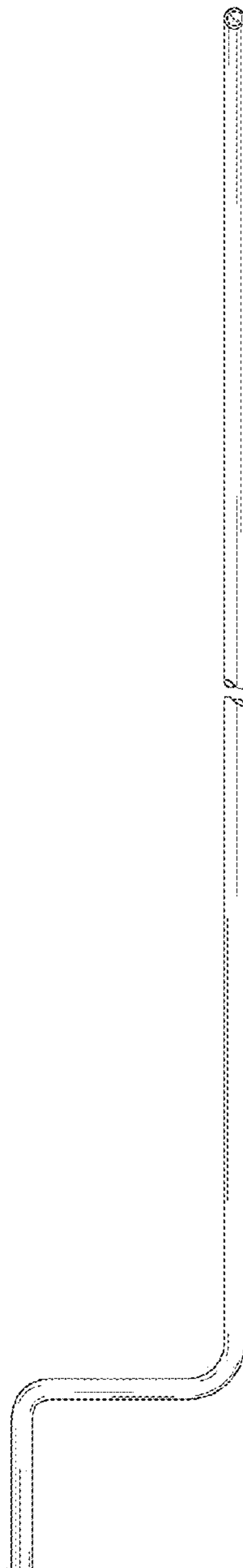


FIG. 5

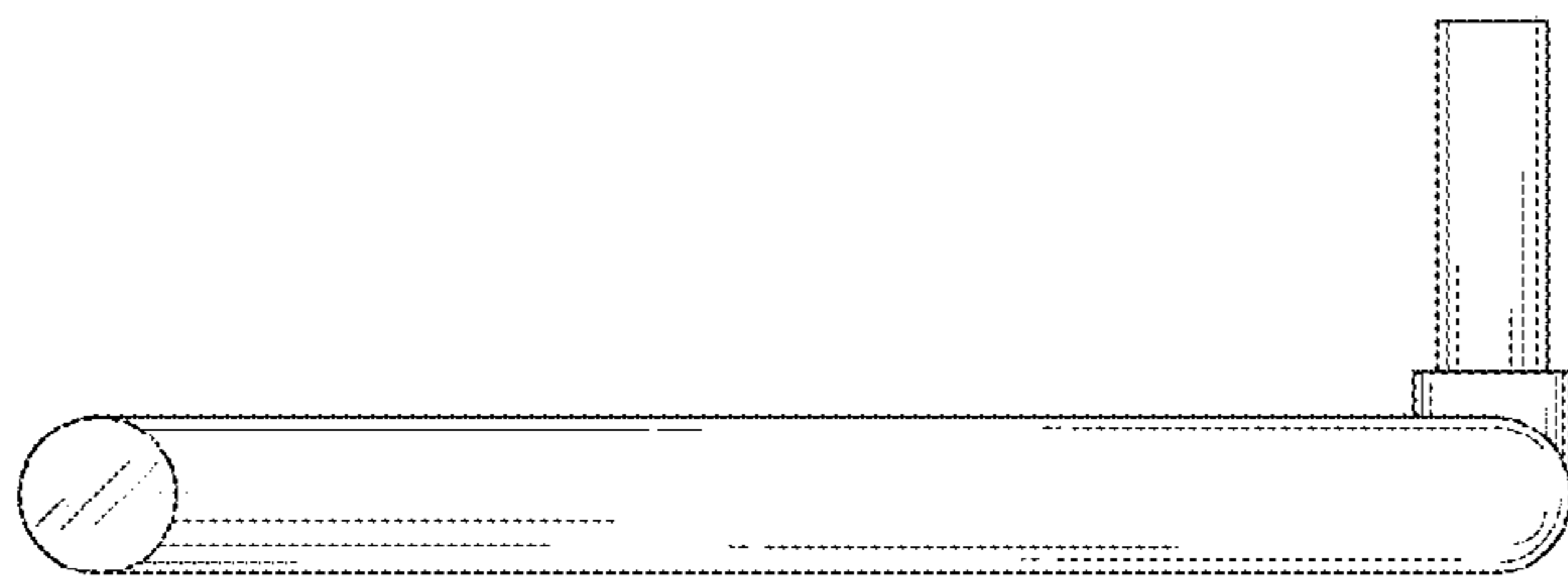


FIG. 7

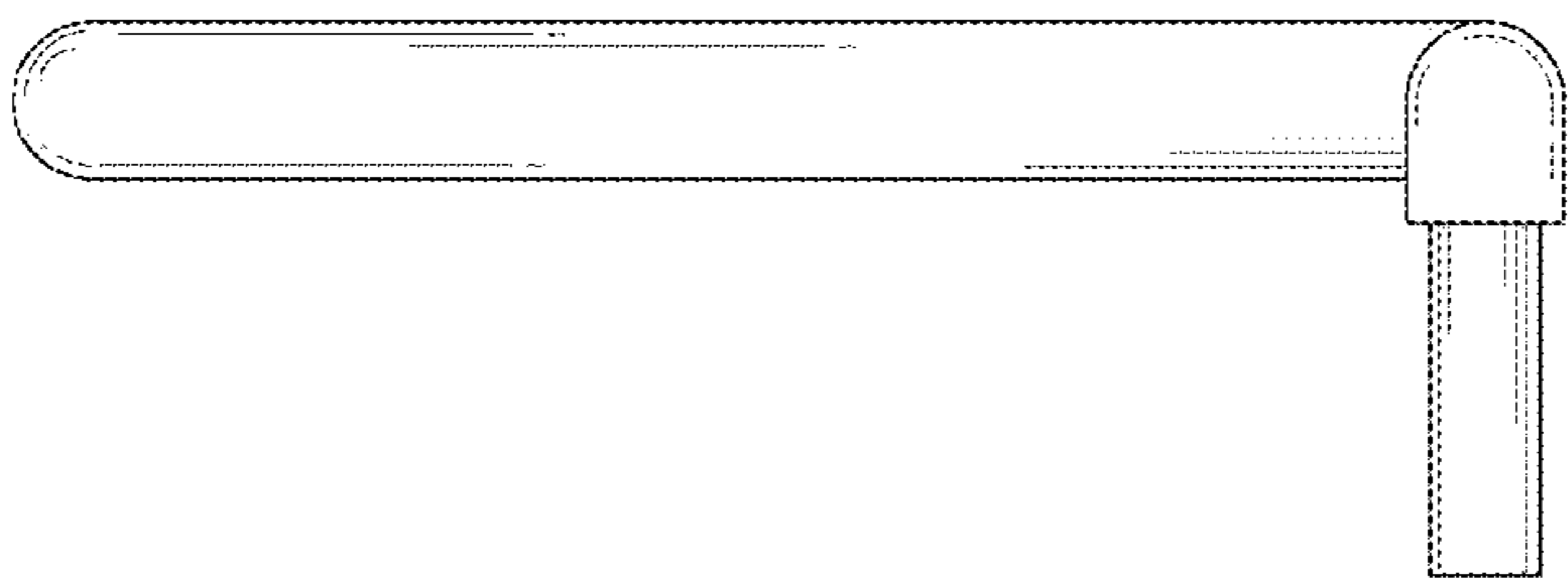


FIG. 6

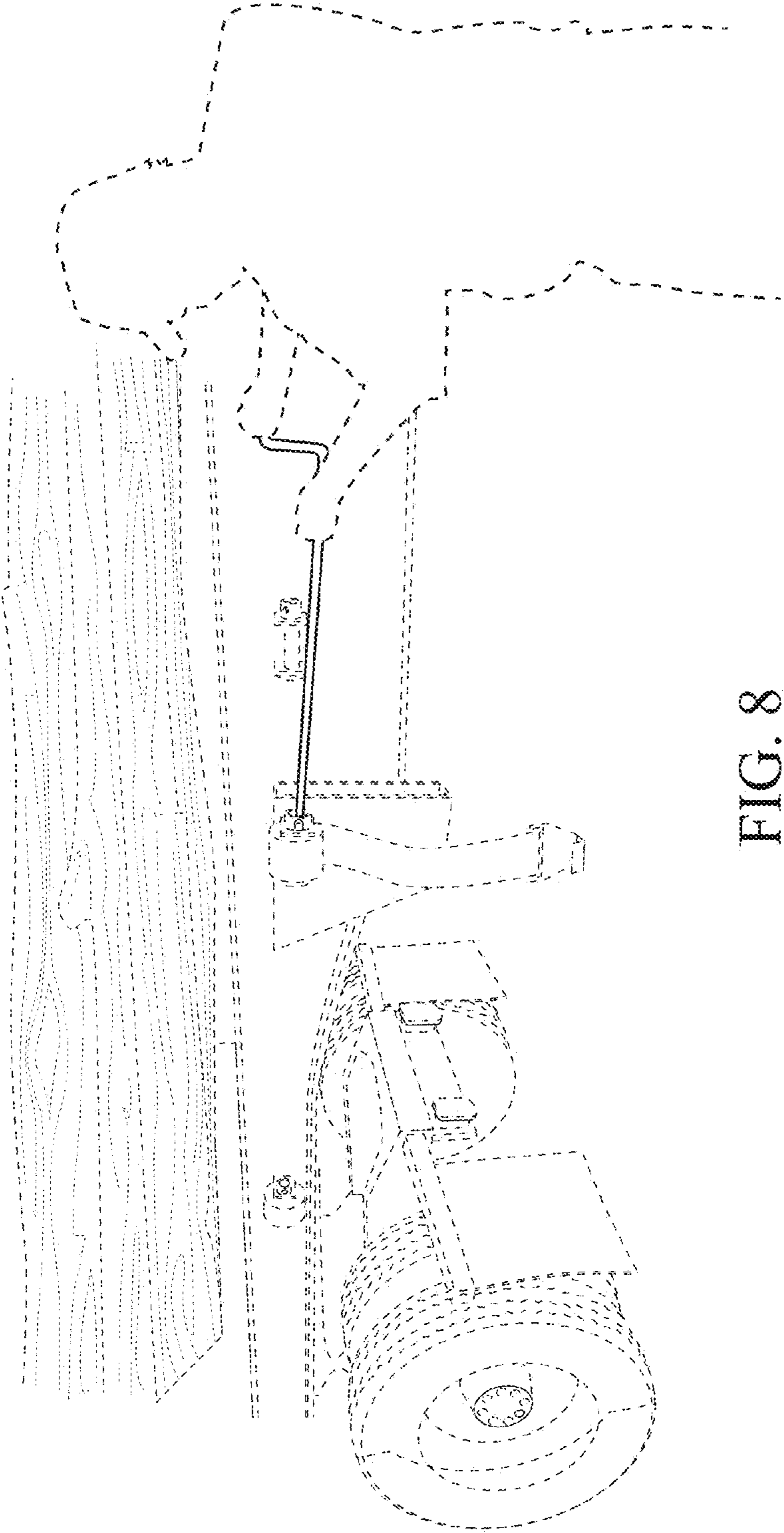


FIG. 8

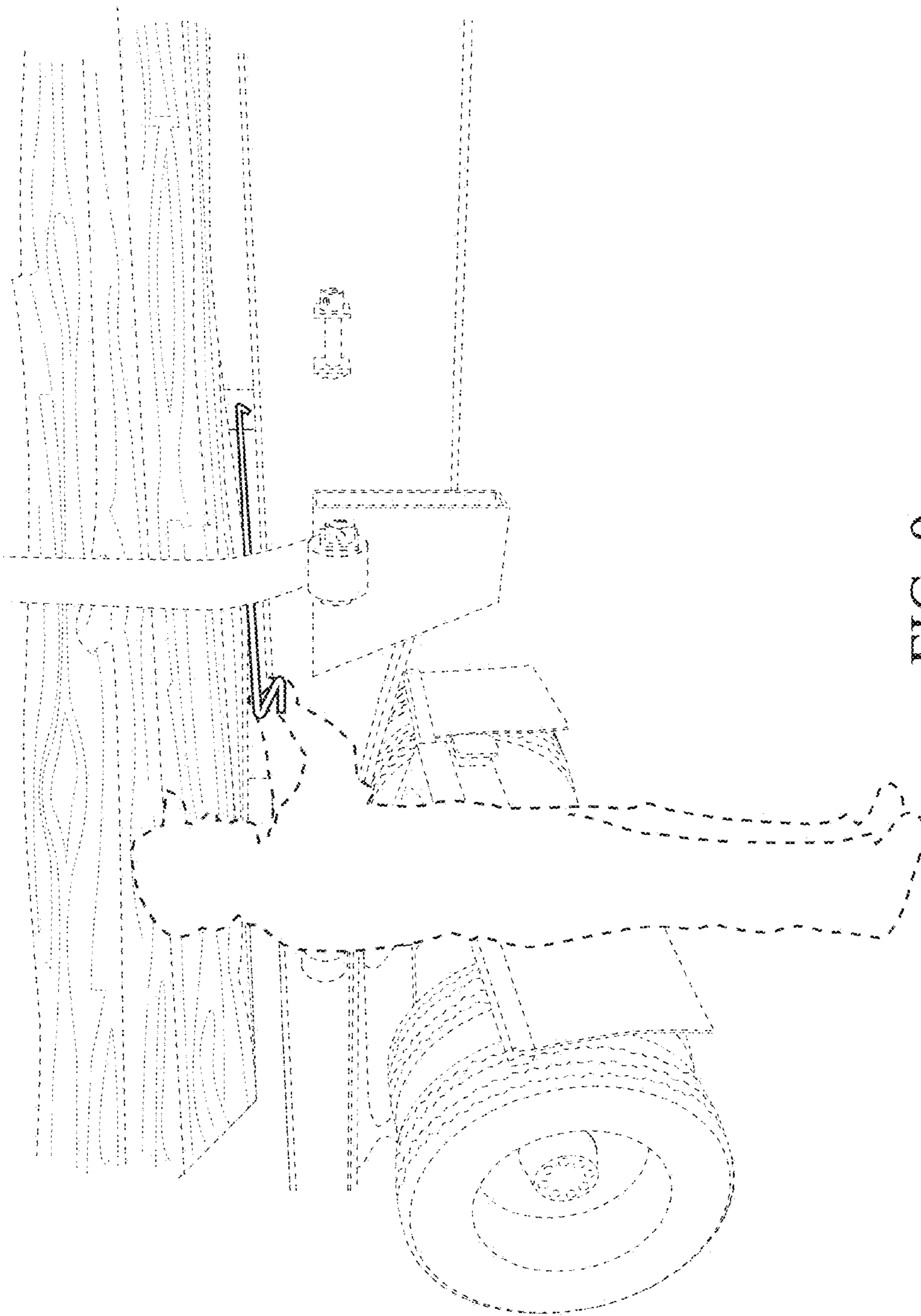


FIG. 9

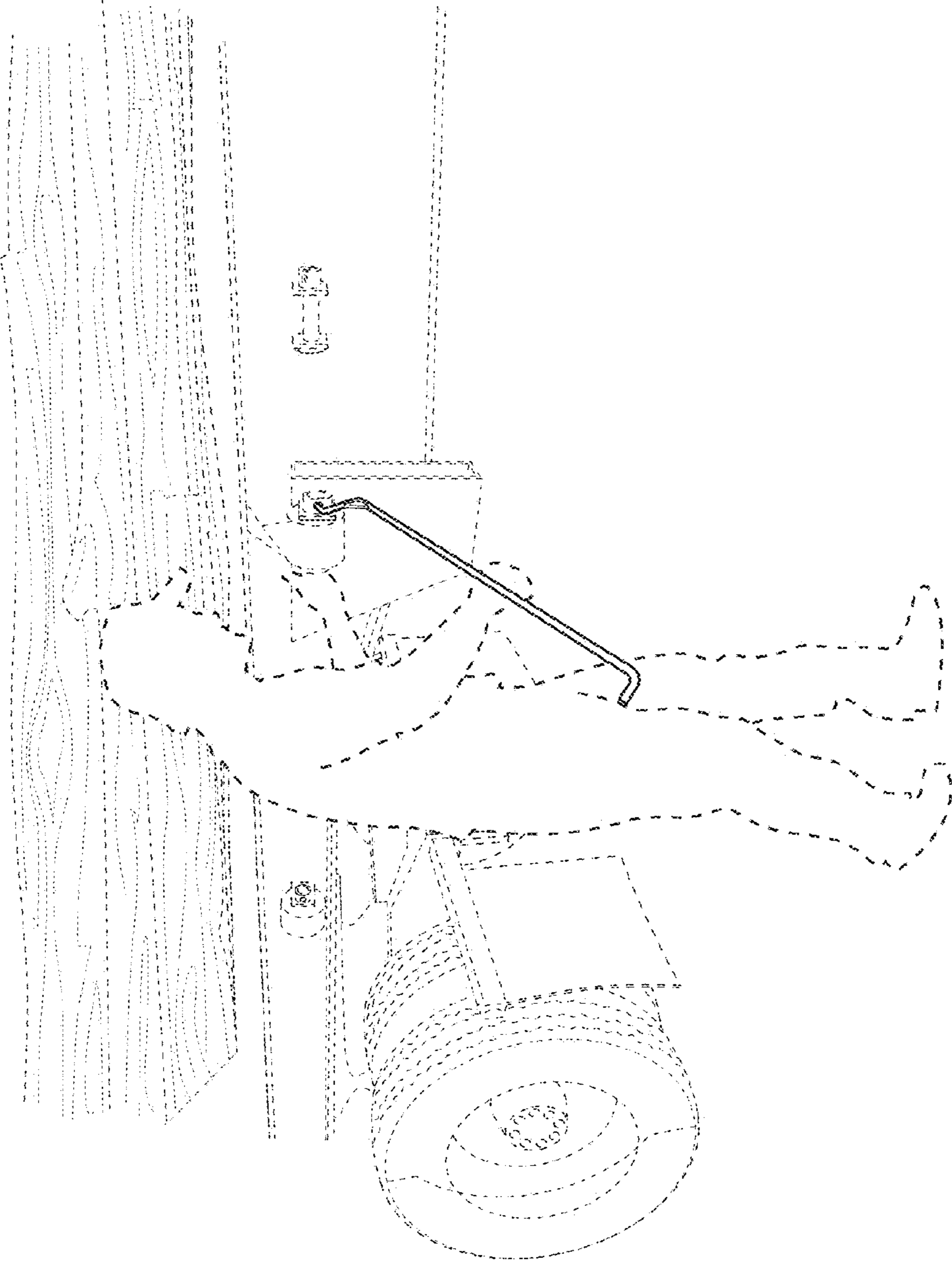


FIG. 10