



US00D750945S

(12) **United States Design Patent**
Baggett

(10) **Patent No.:** **US D750,945 S**
(45) **Date of Patent:** **** Mar. 8, 2016**

(54) **DUEL NUT DRIVER**

(71) Applicant: **Russell Baggett**, VanBuren, AR (US)

(72) Inventor: **Russell Baggett**, VanBuren, AR (US)

(**) Term: **14 Years**

(21) Appl. No.: **29/483,536**

(22) Filed: **Feb. 28, 2014**

(51) **LOC (10) CI.** **08-05**

(52) **U.S. Cl.**
USPC **D8/29**

(58) **Field of Classification Search**
USPC D8/29; 81/60, 177.1, 177.85, 121.1,
81/124.3, 165-170, 110.1, 176.2, 124.6,
81/176.1, 176.15, 177.2; 16/110.1
CPC B25B 13/46; B25B 13/13; B25B 13/00;
B25B 13/02
See application file for complete search history.

(56) **References Cited**

U.S. PATENT DOCUMENTS

D247,608	S *	3/1978	Amiot	D8/98
6,038,941	A *	3/2000	Hobaugh et al.	74/493
6,082,233	A *	7/2000	Han	81/453
6,314,841	B1 *	11/2001	Burk et al.	81/125.1
6,524,035	B1 *	2/2003	Robison	408/211
D552,442	S *	10/2007	Hutchings	D8/29

D584,118	S *	1/2009	Halstead	D8/29
7,841,261	B2 *	11/2010	Milligan et al.	81/121.1
D653,519	S *	2/2012	Lucio et al.	D8/86
8,336,427	B2 *	12/2012	Chang	81/58.3
8,528,450	B2 *	9/2013	Lan et al.	81/177.6
D718,105	S *	11/2014	Tsai	D8/29
D721,933	S *	2/2015	Azevedo	D8/14

* cited by examiner

Primary Examiner — Randall Gholson

(74) *Attorney, Agent, or Firm* — Keisling & Pieper PLC;
Trent C. Keisling

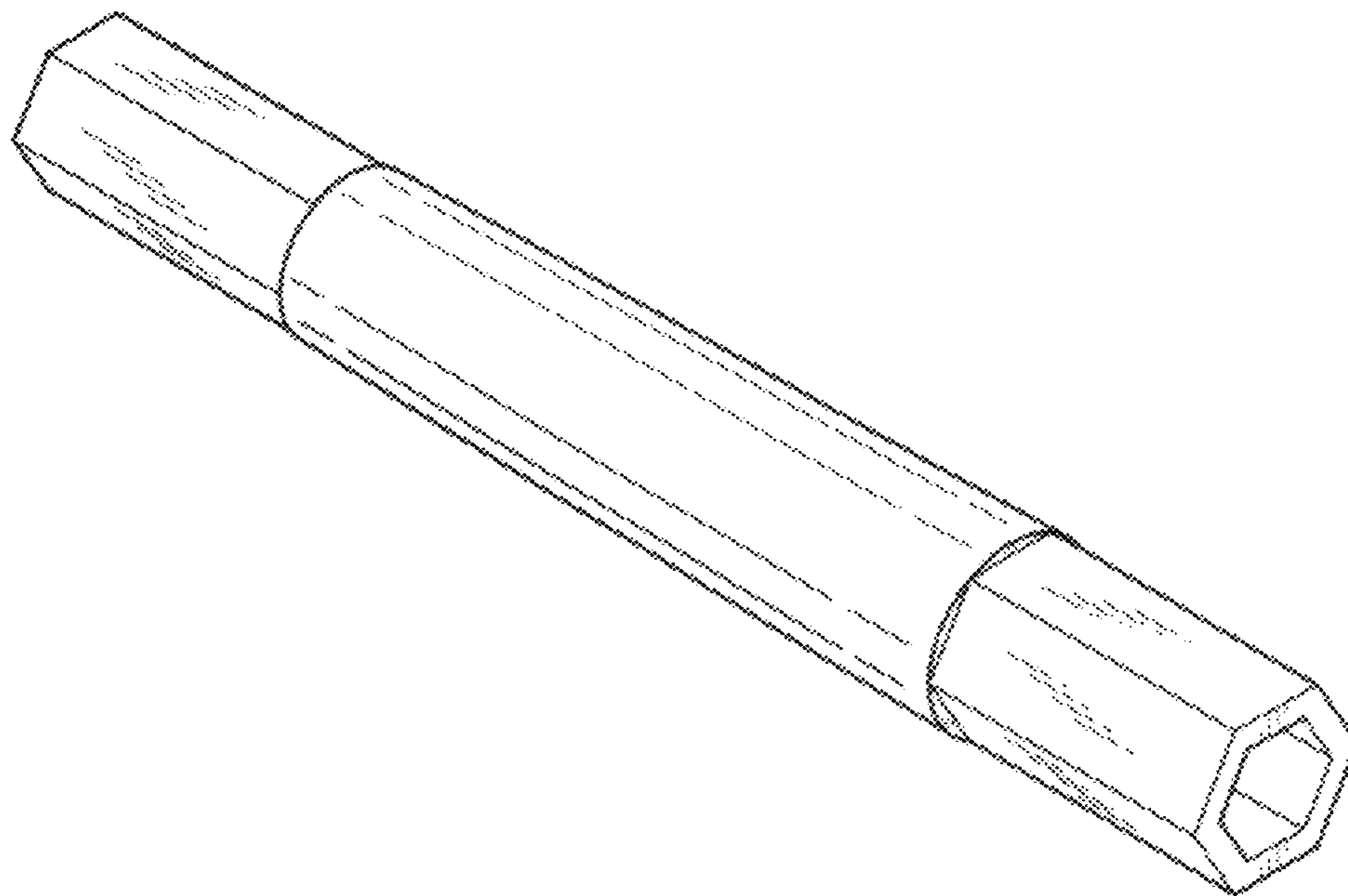
(57) **CLAIM**

The ornamental design for a duel nut driver, as shown and described.

DESCRIPTION

FIG. 1 is a from perspective view of duel nut driver showing my new design;
FIG. 2 is a rear perspective view thereof;
FIG. 3 is a front elevational view thereof;
FIG. 4 is a right side elevational view thereof with the opposite side being a mirror image thereof;
FIG. 5 is a top plan view thereof with broken lines showing unclaimed features of the design and not a part of the claimed design; and,
FIG. 6 is a bottom plan view thereof with broken lines showing unclaimed features of the design and not a part of the claimed design.

1 Claim, 1 Drawing Sheet



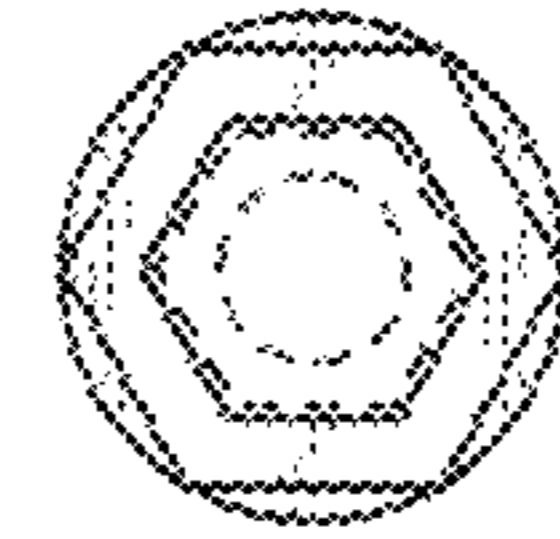
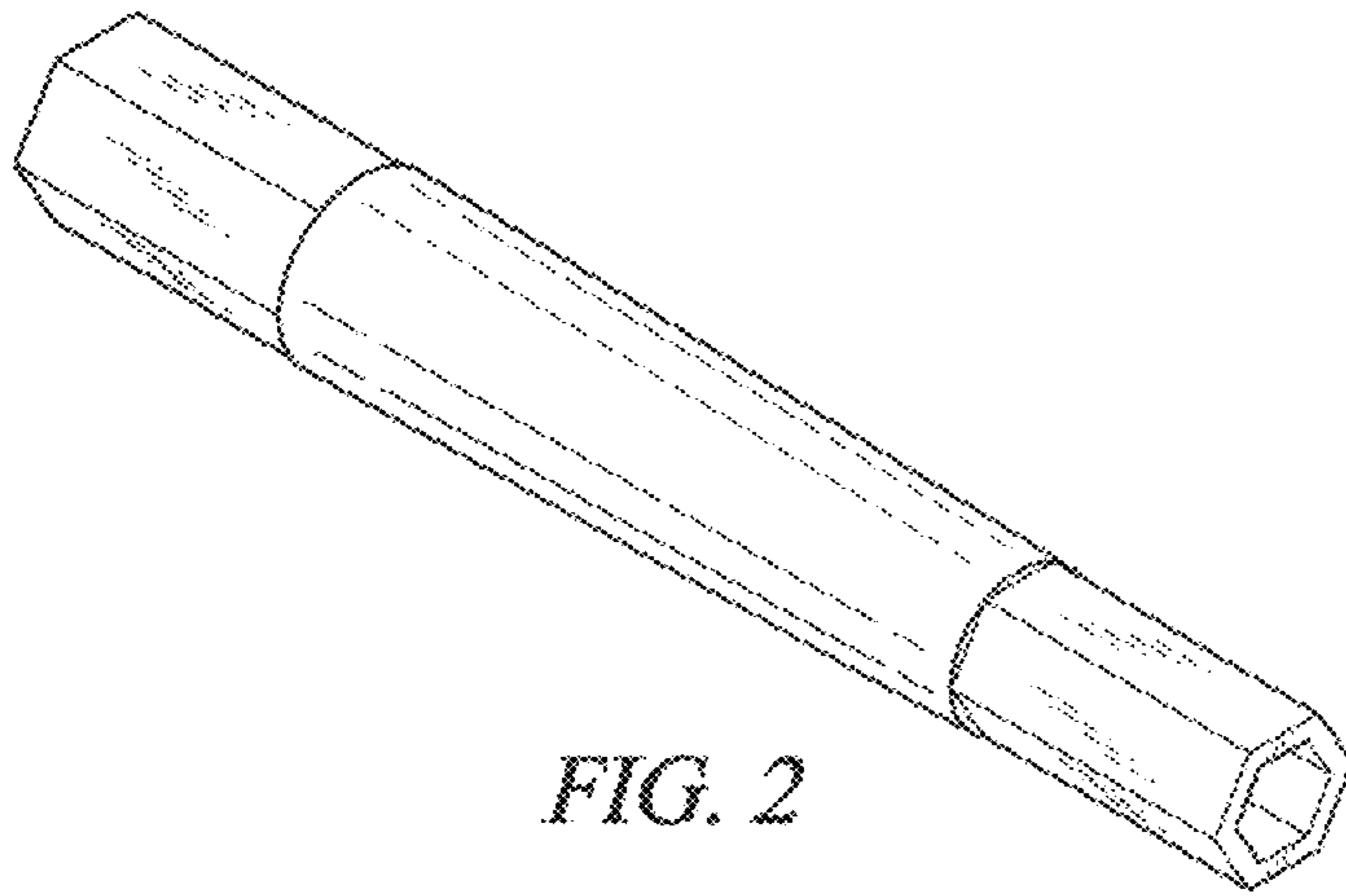
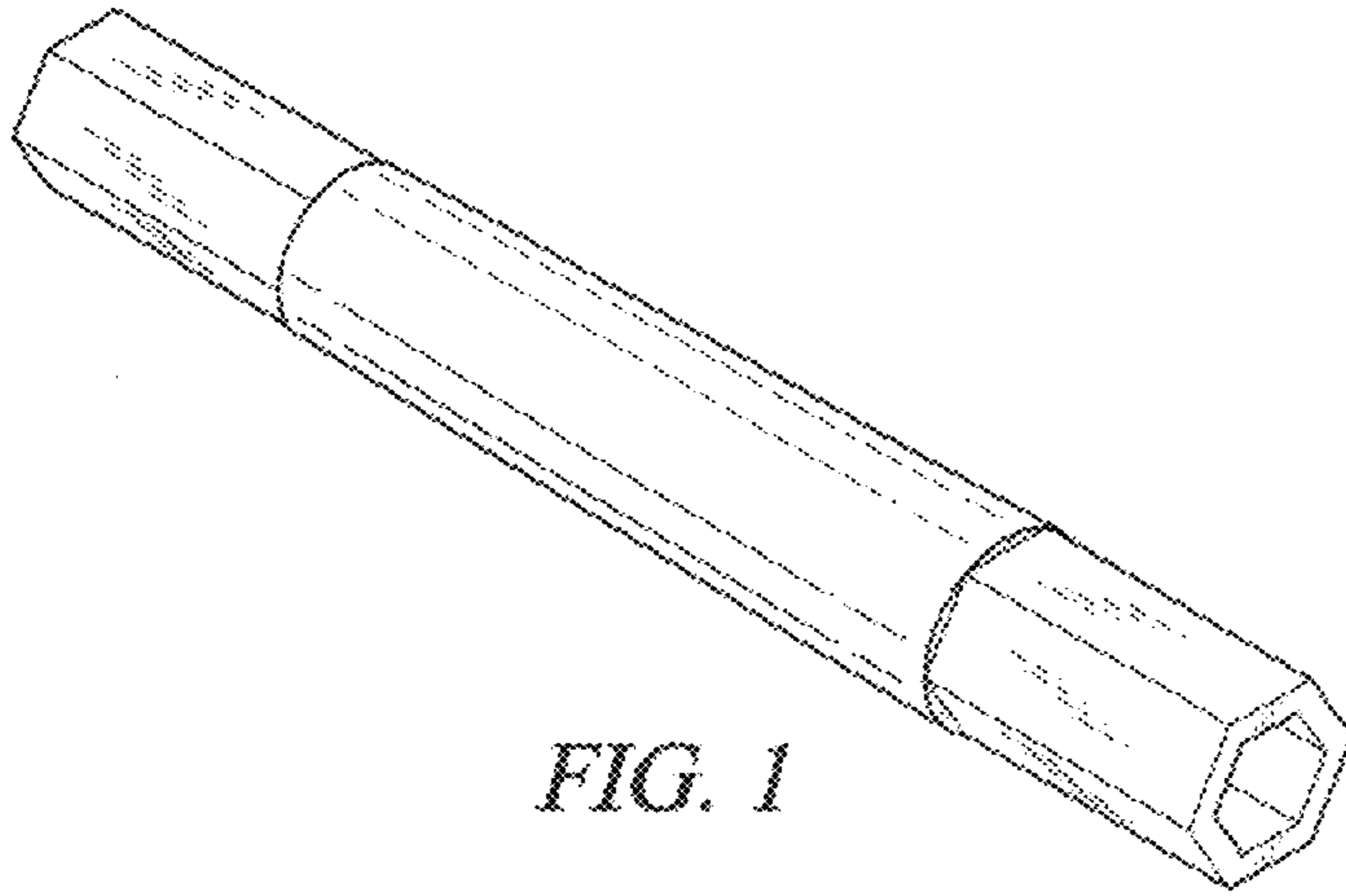


FIG. 5

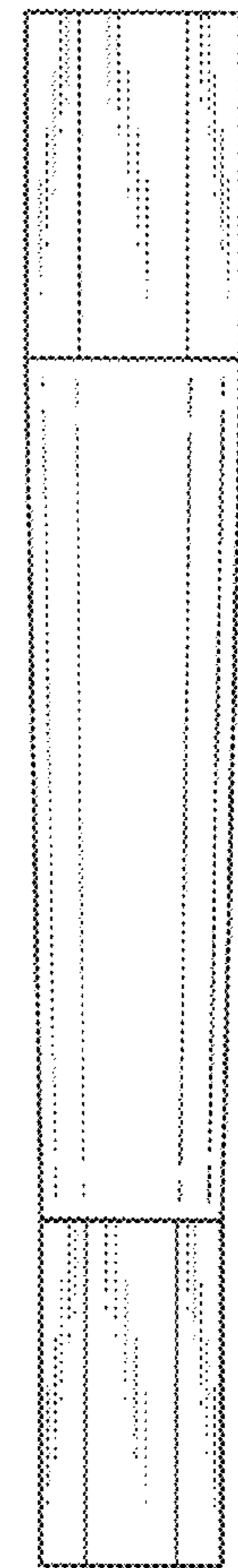


FIG. 3

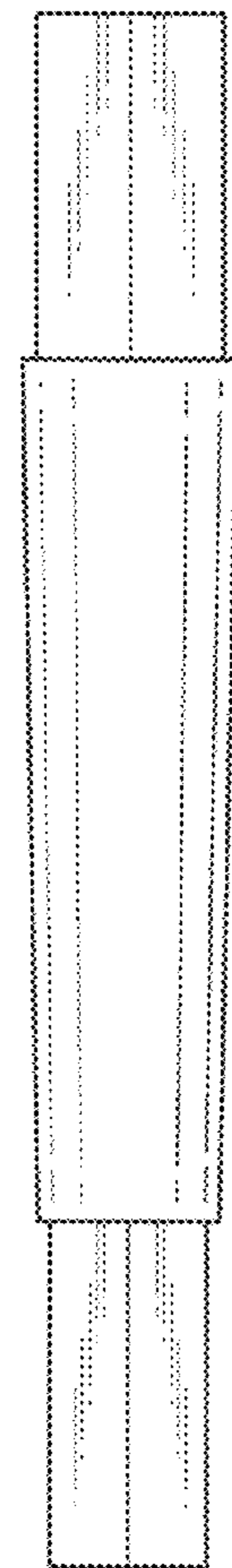


FIG. 4

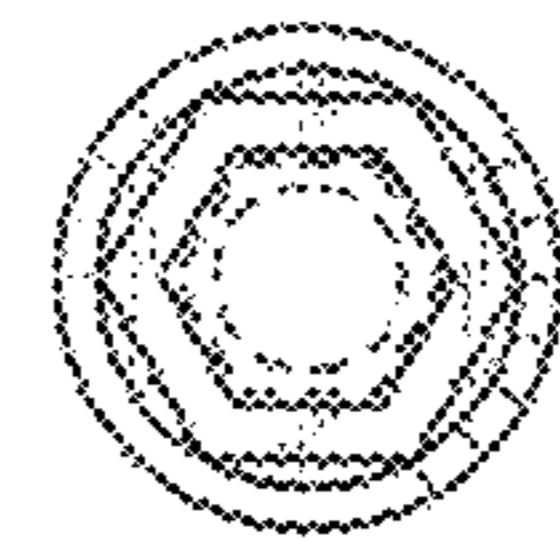


FIG. 6