



US00D750943S

(12) **United States Design Patent**  
**Payne**

(10) **Patent No.:** **US D750,943 S**  
(45) **Date of Patent:** **\*\* Mar. 8, 2016**

- (54) **COAXIAL CABLE PREPARATION TOOL**
- (71) Applicant: **Southwire Company, LLC**, Carrollton, GA (US)
- (72) Inventor: **John Lawrence Payne**, Newnan, GA (US)
- (73) Assignee: **Southwire Company, LLC**, Carrollton, GA (US)
- (\*\*) Term: **14 Years**
- (21) Appl. No.: **29/504,884**
- (22) Filed: **Oct. 10, 2014**
- (51) **LOC (10) Cl.** ..... **08-05**
- (52) **U.S. Cl.**  
USPC ..... **D8/14**
- (58) **Field of Classification Search**  
USPC ..... D8/14, 21, 56, 98; D13/155  
CPC .... H01R 13/625; H01R 43/26; H01R 43/042;  
H01R 24/40  
See application file for complete search history.

- 2002/0162212 A1\* 11/2002 Holliday ..... H01R 43/042  
29/564.4
- 2004/0035260 A1\* 2/2004 Adkison ..... B25B 13/06  
81/124.2
- 2010/0282030 A1\* 11/2010 Youtsey ..... B25B 13/06  
81/124.2
- 2011/0056026 A1\* 3/2011 Lin ..... H01R 43/042  
7/107
- 2014/0141638 A1\* 5/2014 Huang ..... B25B 13/065  
439/314

\* cited by examiner

*Primary Examiner* — Phillip S Hyder  
(74) *Attorney, Agent, or Firm* — Hartman & Citrin LLC

(57) **CLAIM**

The ornamental design for a coaxial cable preparation tool, as shown and described.

**DESCRIPTION**

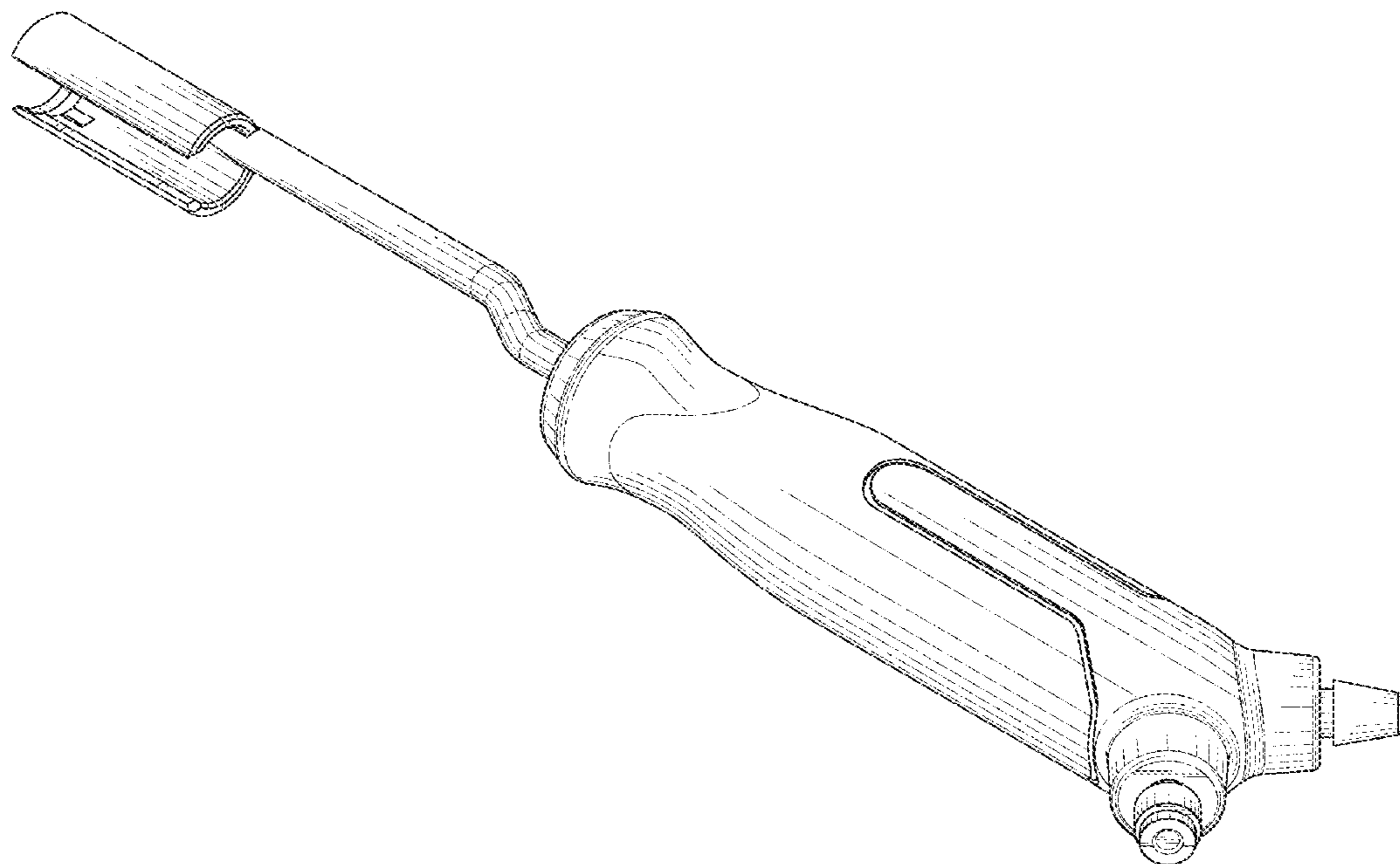
FIG. 1 is a perspective view of an embodiment of a coaxial cable preparation tool according to my design;  
FIG. 2 is a front view thereof;  
FIG. 3 is a rear view thereof;  
FIG. 4 is a top view thereof;  
FIG. 5 is a bottom view thereof;  
FIG. 6 is a side view thereof; and,  
FIG. 7 is a side view thereof.  
Broken lines having repeated short dashes in the Figures are for illustrative purposes only and form no part of the claimed design. Shade lines having a combination of long and short lines in the Figures show contour and not surface ornamentation.

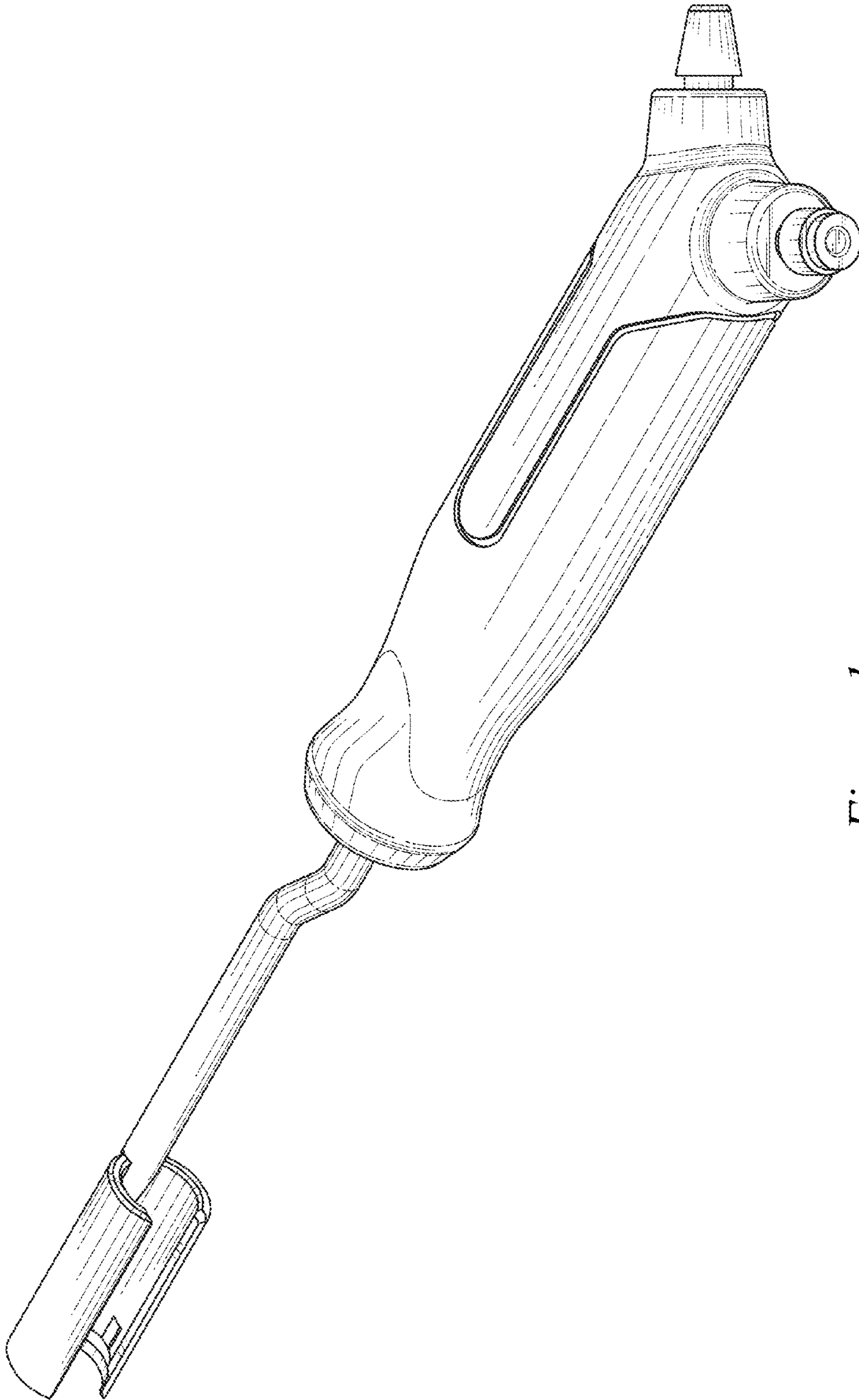
**1 Claim, 4 Drawing Sheets**

(56) **References Cited**

**U.S. PATENT DOCUMENTS**

- 5,435,029 A \* 7/1995 Carlson, Jr. .... H02G 1/1292  
140/123
- 7,181,999 B1 \* 2/2007 Skeels ..... H01R 43/26  
81/124.2
- D690,273 S \* 9/2013 Lin ..... D13/155
- 2002/0138975 A1\* 10/2002 Chang ..... B25B 27/10  
29/751





*Figure 1*

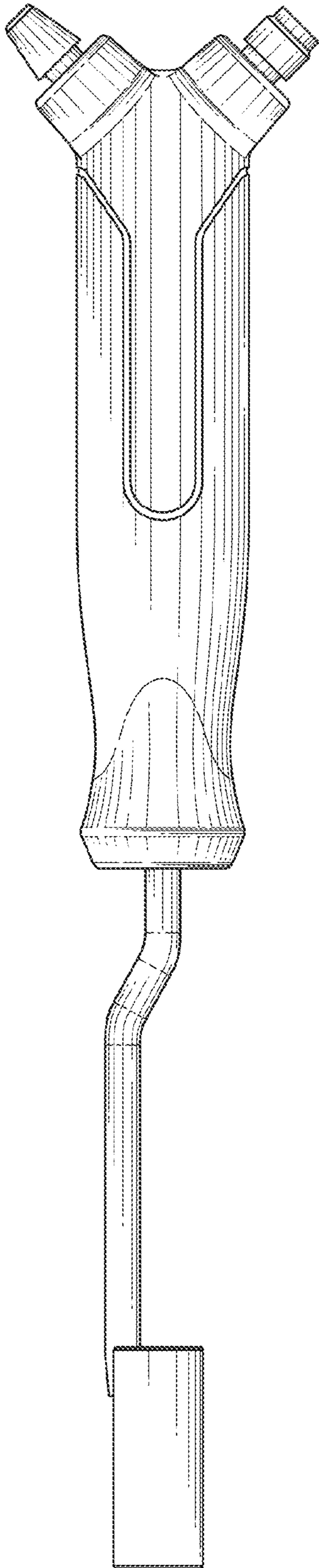


Figure 2

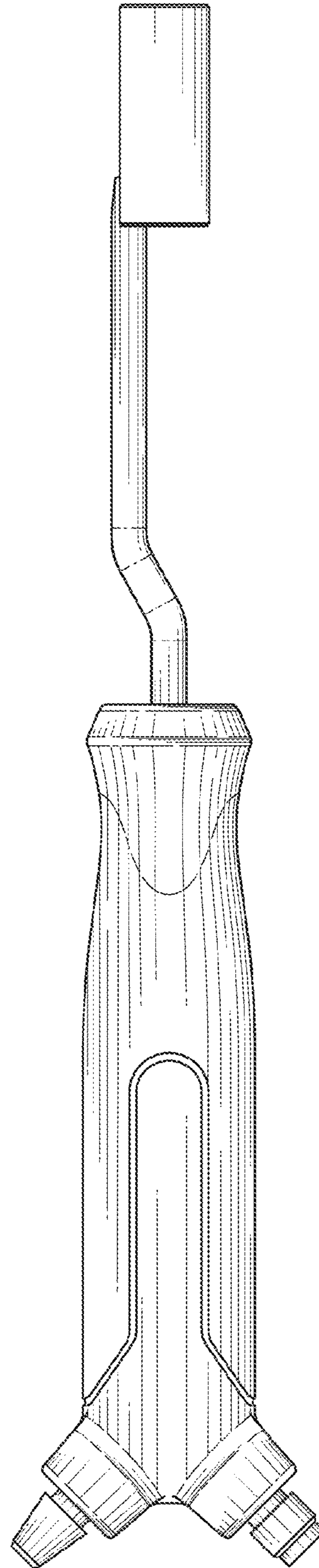
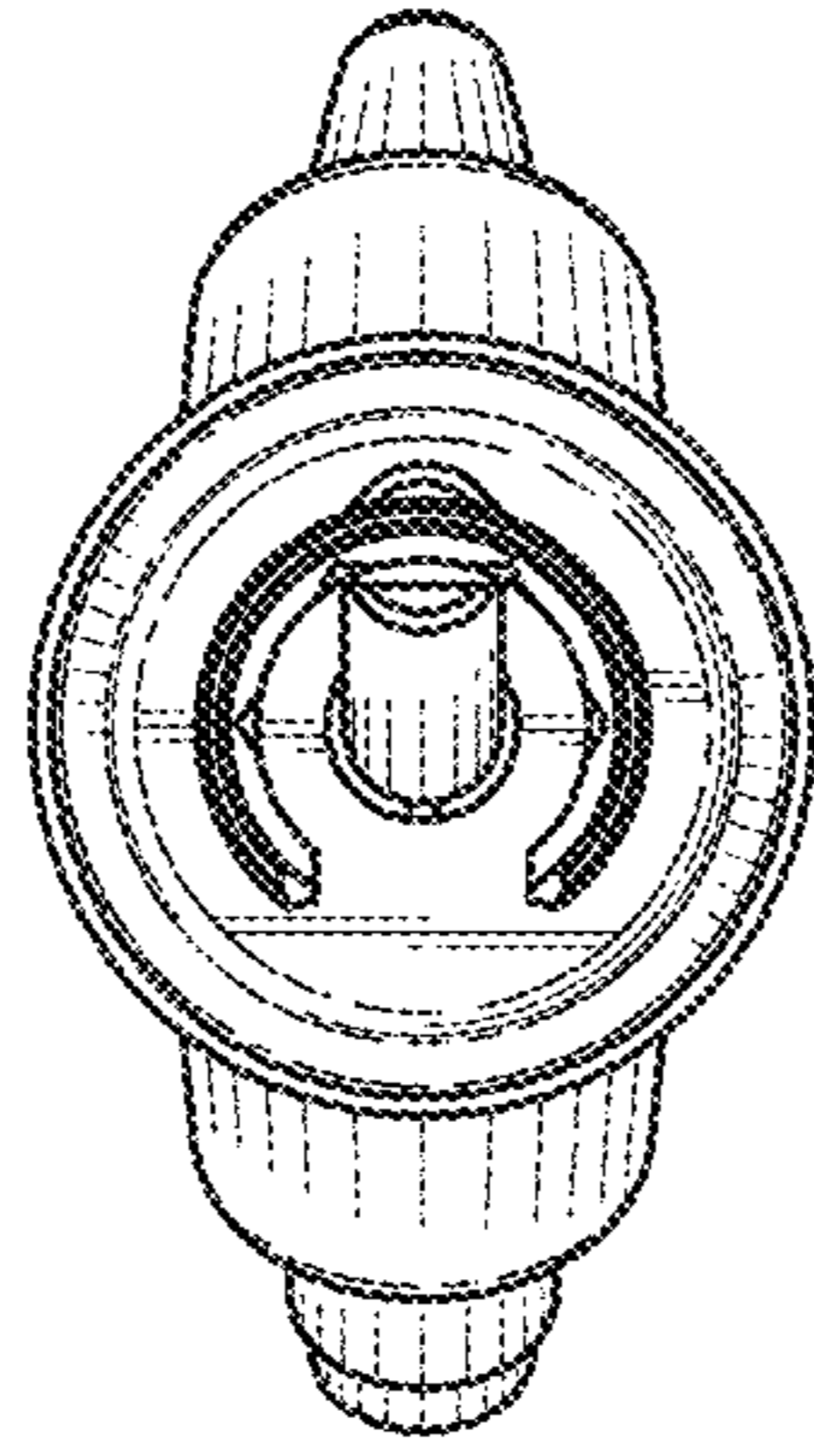
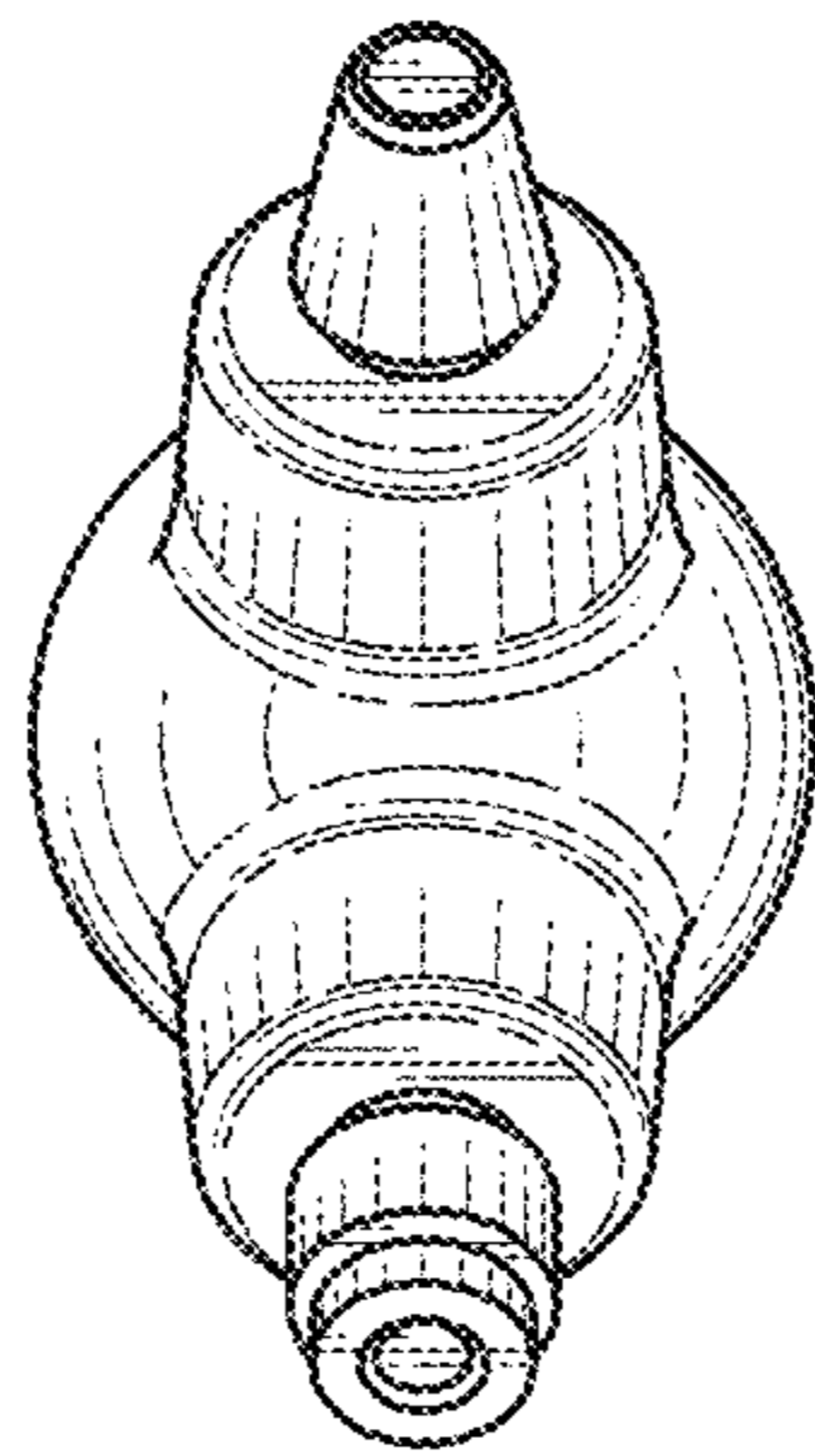


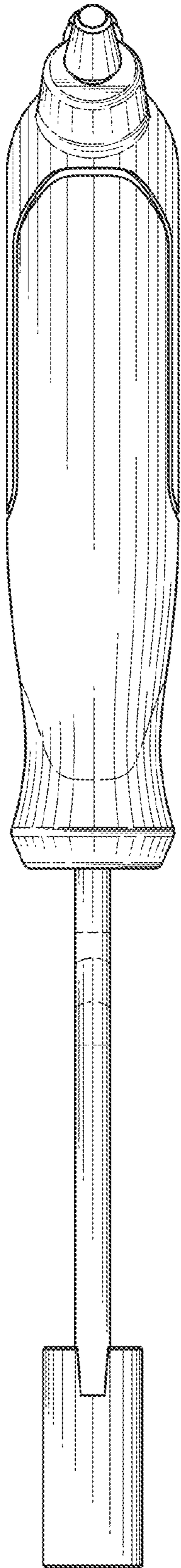
Figure 3



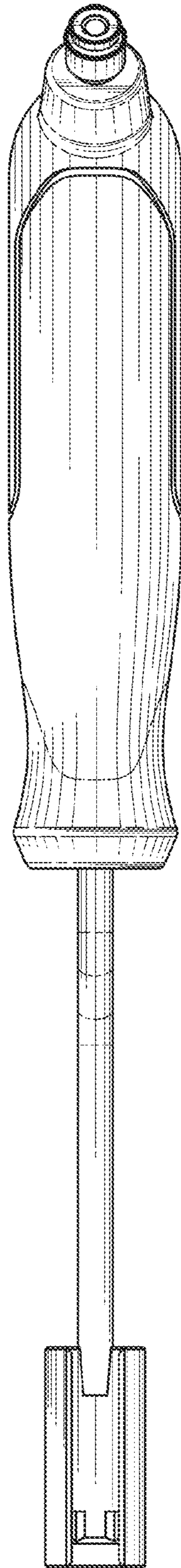
*Figure 4*



*Figure 5*



*Figure 6*



*Figure 7*