



US00D750941S

(12) **United States Design Patent**  
**Thiemer**

(10) **Patent No.:** **US D750,941 S**  
(45) **Date of Patent:** **\*\* Mar. 8, 2016**

(54) **KNIFE TIP**

(71) Applicant: **Nicholson Manufacturing Ltd.**, Sidney (CA)

(72) Inventor: **Nick Thiemer**, Saanich (CA)

(73) Assignee: **Nicholson Manufacturing Ltd.**, Sidney (CA)

(\*\*) Term: **14 Years**

(21) Appl. No.: **29/522,562**

(22) Filed: **Mar. 31, 2015**

(51) **LOC (10) Cl.** ..... **07-03**

(52) **U.S. Cl.**  
USPC ..... **D7/649**

(58) **Field of Classification Search**  
USPC ..... D7/393-395, 401.2, 642-652, 693,  
D7/695-696; D8/20, 93, 97-100, 107,  
D8/300, 321; D15/139; D19/121;  
D22/117-118

CPC ..... A01B 1/20; A01B 1/22; A22C 25/006;  
A47G 21/06; A47G 21/065; A61B 17/3211;  
A61B 17/3213; B21D 53/64; B25G 3/36;  
B26B 1/00; B26B 1/046; B26B 1/048; B26B  
1/08; B26B 1/10; B26B 3/00; B26B 3/02;  
B26B 3/03; B26B 3/04; B26B 3/06; B26B  
5/00; B26B 5/001; B26B 5/006; B26B 5/007;  
B26B 7/00; B26B 7/005; B26B 9/00; B26B  
9/02; B26B 11/00; B26B 11/006; B26B  
17/00; B26B 17/006; B26B 27/005; B26B  
29/02

See application file for complete search history.

(56) **References Cited**

U.S. PATENT DOCUMENTS

2,869,232 A *	1/1959	Kivela .....	B26B 1/046 30/161
3,092,903 A *	6/1963	Bockhold .....	B26B 5/006 30/2
3,178,812 A *	4/1965	Lurie .....	B26B 27/005 30/2
5,111,581 A *	5/1992	Collins .....	B26B 1/048 30/158
D341,604 S *	11/1993	Hessman .....	D15/139
D405,667 S *	2/1999	Rivera .....	D8/20
D660,124 S *	5/2012	Mashburn .....	D8/99
D730,446 S *	5/2015	Busch .....	D19/121
D739,449 S *	9/2015	Lefsrud .....	D15/139

\* cited by examiner

*Primary Examiner* — Ricky Pham

(74) *Attorney, Agent, or Firm* — Seed IP Law Group PLLC

(57) **CLAIM**

The ornamental design for a knife tip, as shown and described.

**DESCRIPTION**

FIG. 1 is a perspective view of a knife tip showing my new design.

FIG. 2 is a top plan view thereof.

FIG. 3 is a bottom plan view thereof.

FIG. 4 is a front elevational view thereof.

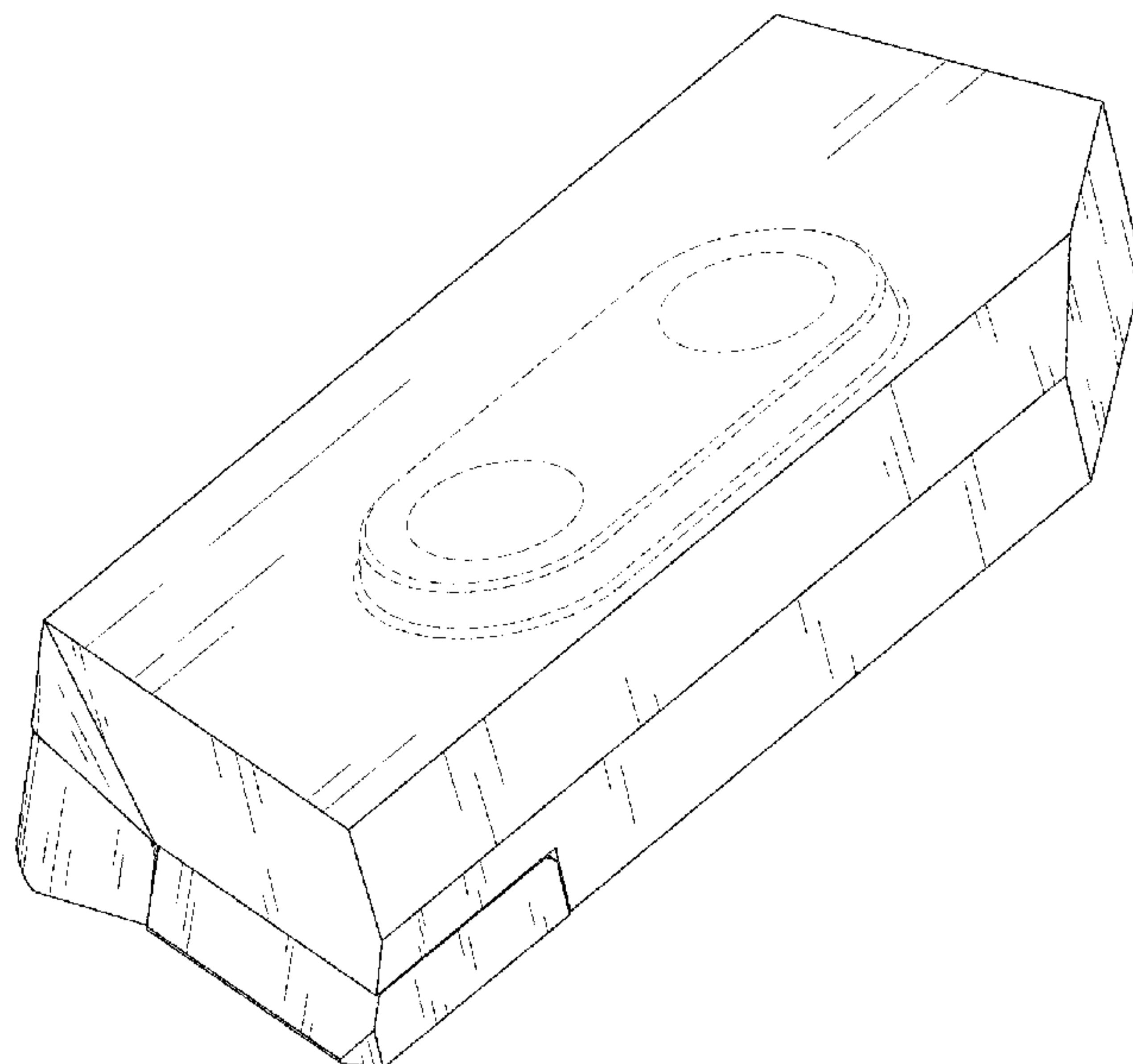
FIG. 5 is a rear elevational view thereof.

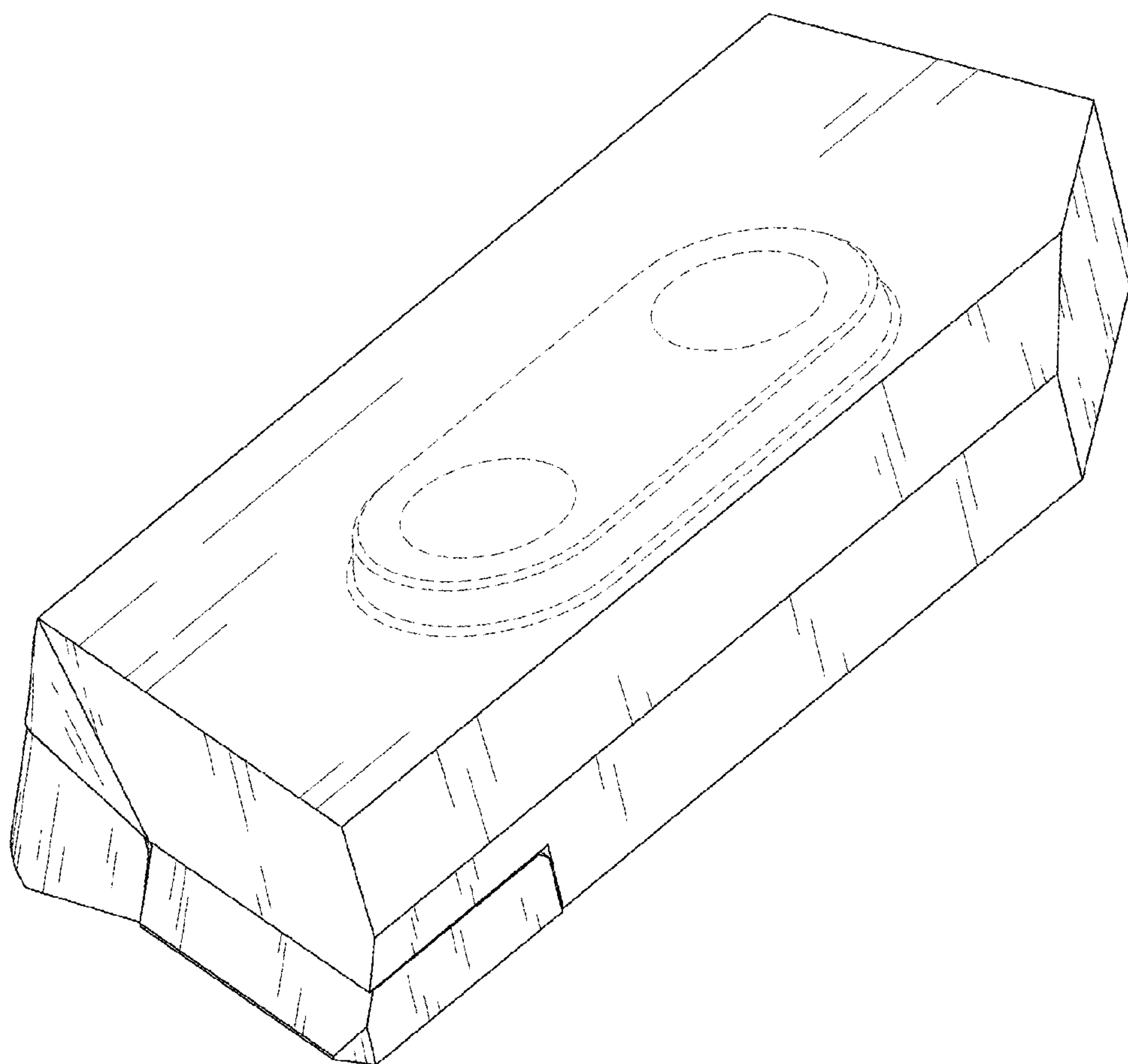
FIG. 6 is a left side elevational view thereof; and,

FIG. 7 is a right side elevational view thereof.

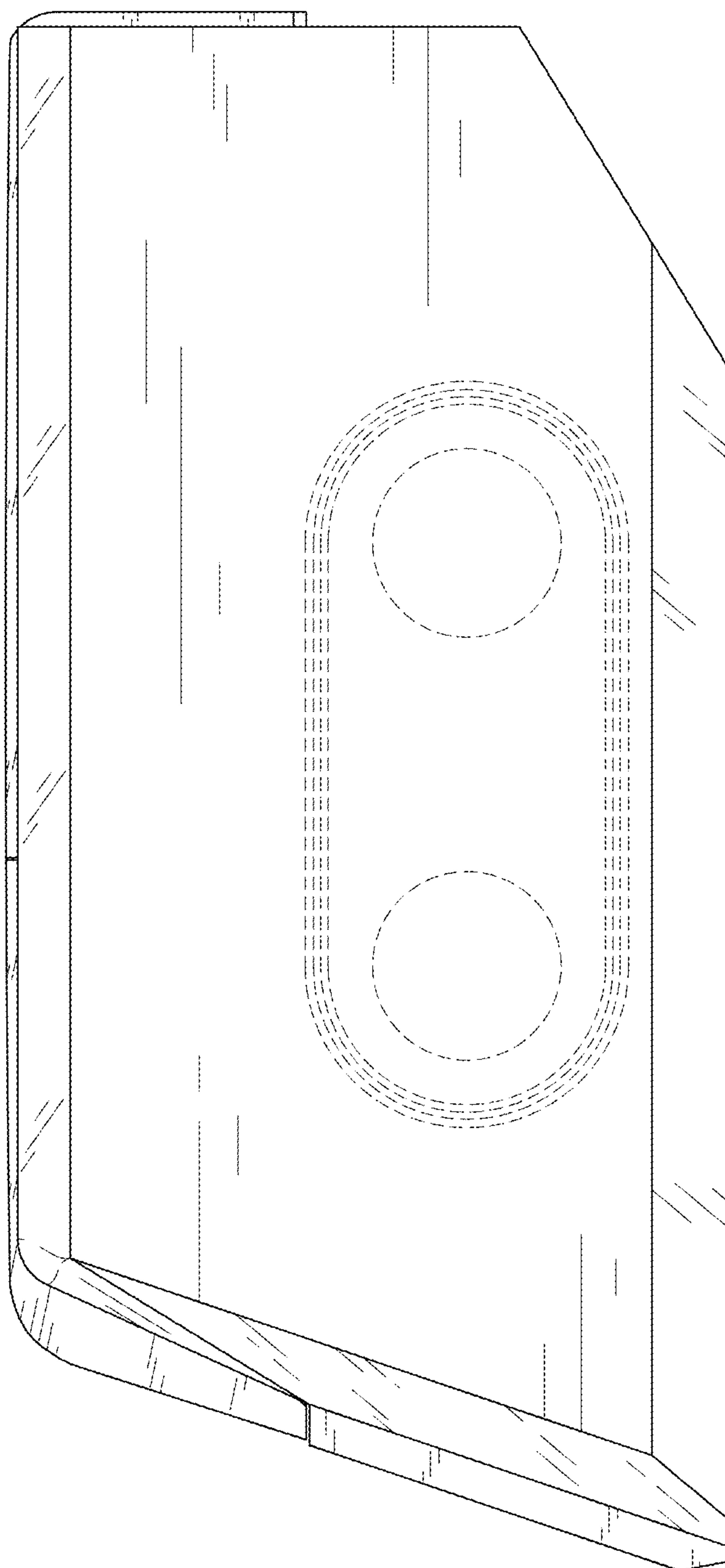
The broken lines in the figures form no part of the claimed design.

**1 Claim, 6 Drawing Sheets**

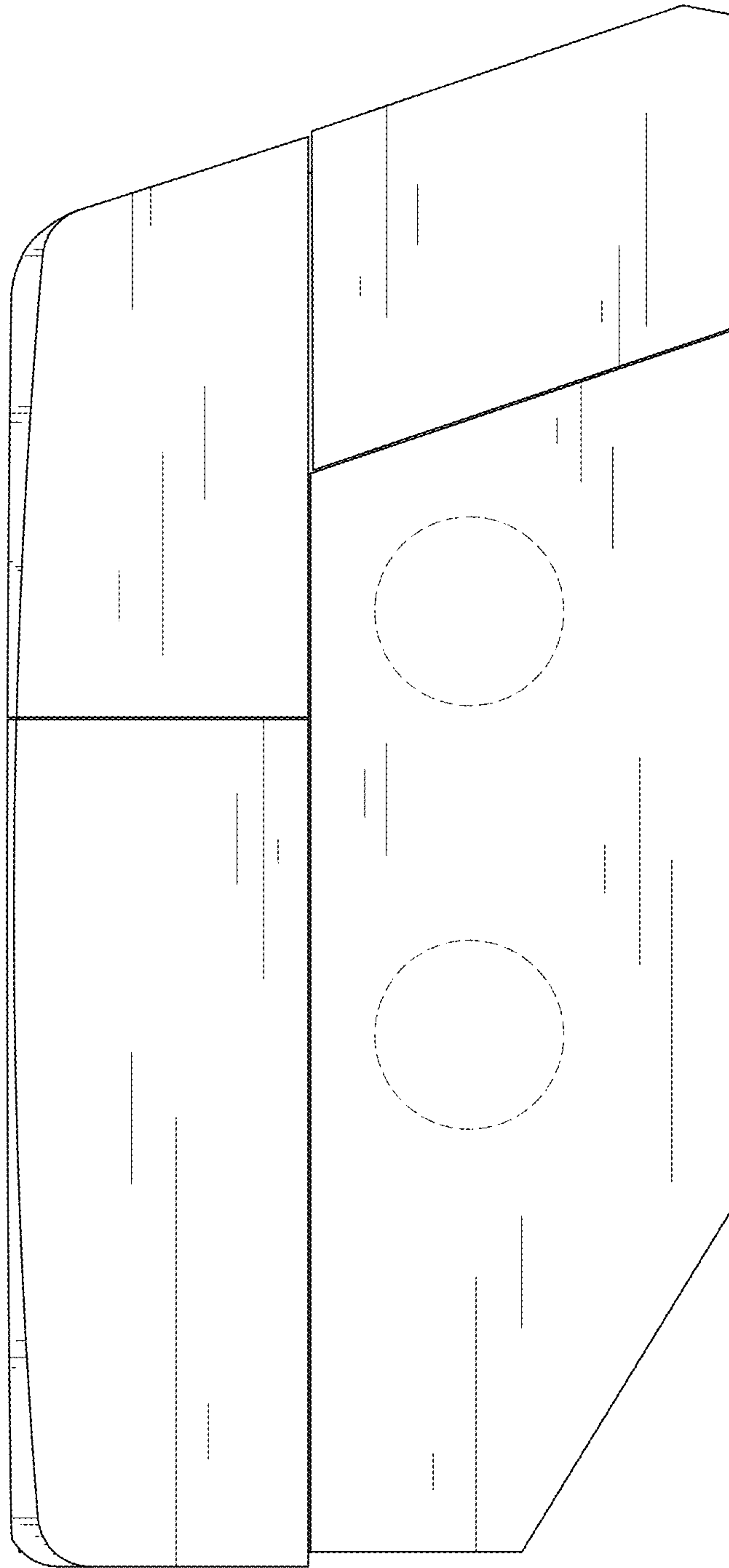




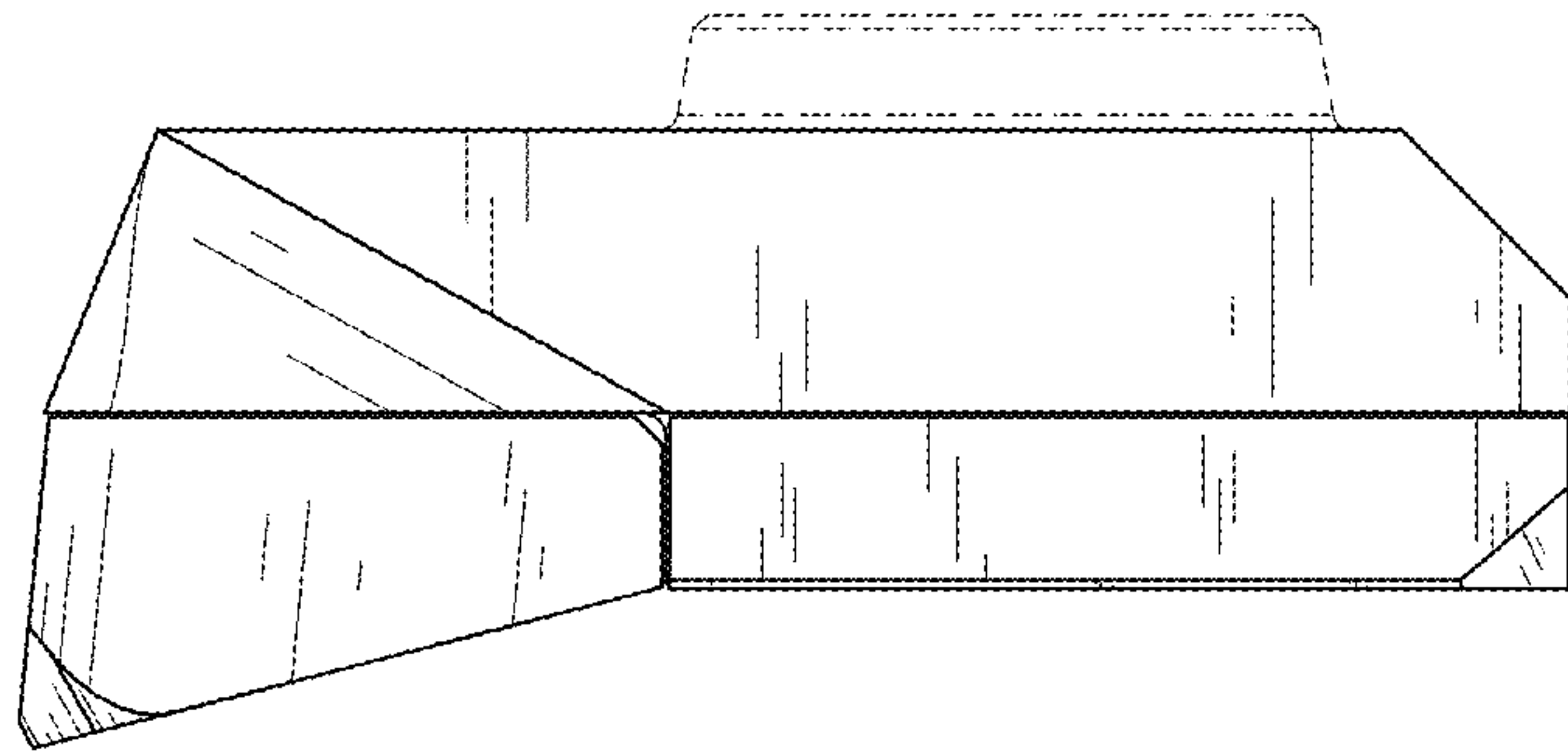
*FIG. 1*



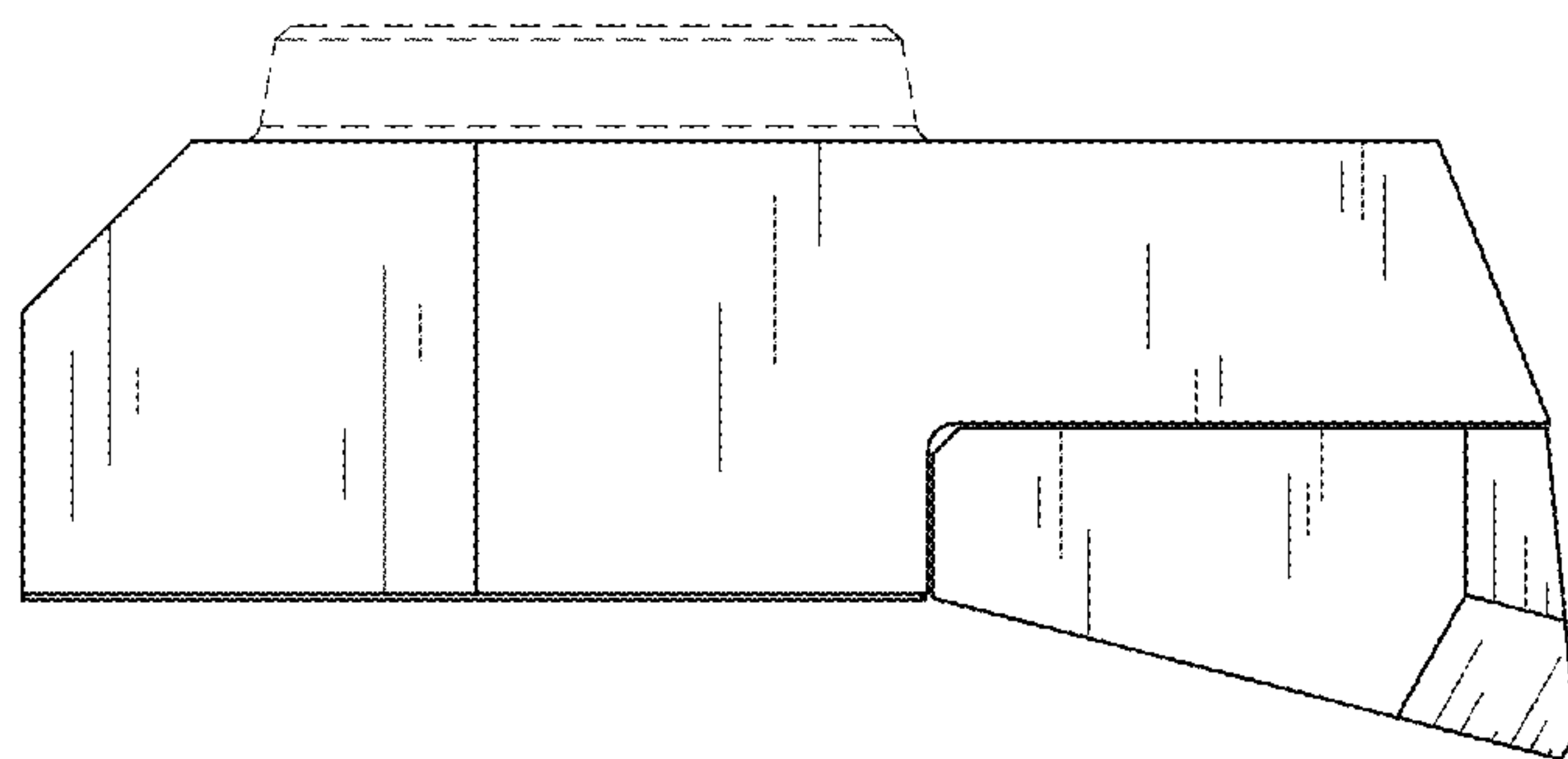
*FIG. 2*



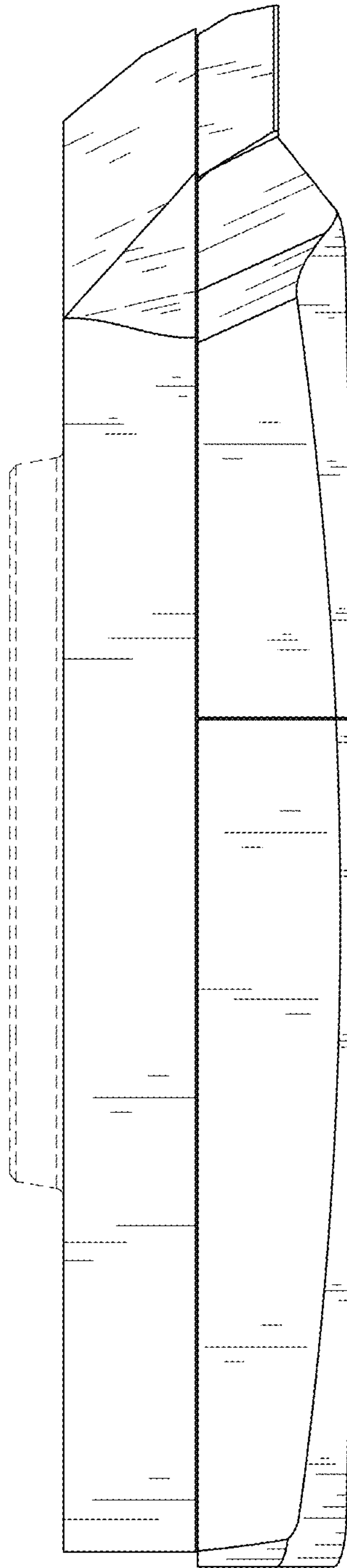
*FIG. 3*



*FIG. 4*



*FIG. 5*



*FIG. 6*

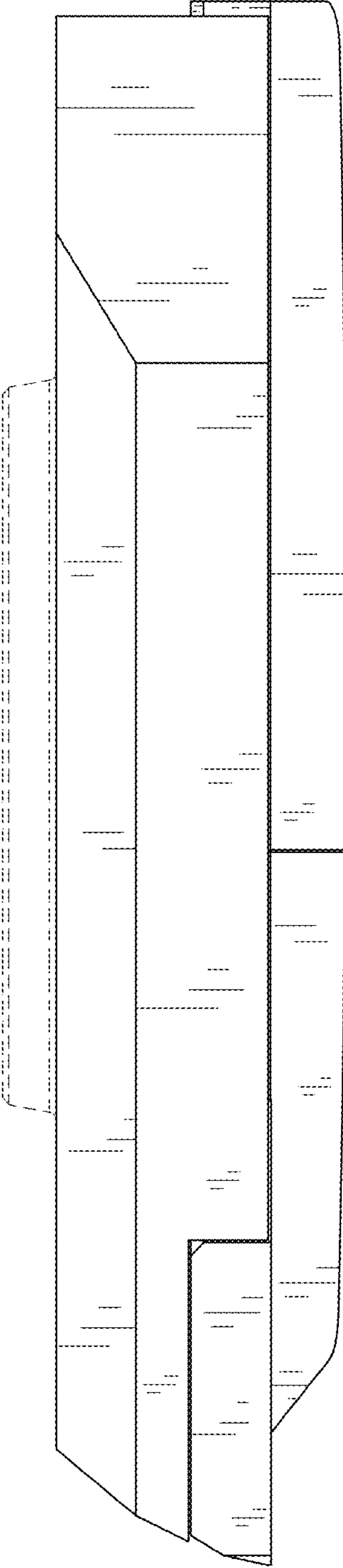


FIG. 7