



US00D750939S

(12) **United States Design Patent**  
**Kellow, Jr.**

(10) **Patent No.:** **US D750,939 S**  
(45) **Date of Patent:** **\*\* Mar. 8, 2016**

- (54) **FOOD AND BEVERAGE PLATE**
- (71) Applicant: **Bethrick, Inc.**, Slinger, WI (US)
- (72) Inventor: **Richard A. Kellow, Jr.**, Slinger, WI (US)
- (73) Assignee: **Bethrick, Inc.**, Slinger, WI (US)
- (\*\*) Term: **15 Years**
- (21) Appl. No.: **29/527,145**
- (22) Filed: **May 15, 2015**

**Related U.S. Application Data**

- (63) Continuation-in-part of application No. 29/485,016, filed on Mar. 14, 2014, which is a continuation-in-part of application No. 29/468,184, filed on Sep. 26, 2013, now Pat. No. Des. 704,512.
- (51) **LOC (10) Cl.** ..... **07-01**
- (52) **U.S. Cl.**  
USPC ..... **D7/557**
- (58) **Field of Classification Search**  
USPC ..... D7/557, 213, 550.1, 553.1-553.6,  
D7/553.7-553.8, 549, 554.2, 396.1;  
D9/499, 739, 759; 220/557, 561;  
426/132, 143  
CPC ..... A47G 19/065; A47G 19/00; A47G 19/02;  
B65D 1/36; B65D 81/00  
See application file for complete search history.

(56) **References Cited**

**U.S. PATENT DOCUMENTS**

- 2,427,697 A 9/1947 Weidler
- D190,668 S \* 6/1961 Bliss ..... D7/557
- 3,955,672 A 5/1976 Brundage
- 4,346,070 A 8/1982 Johnson
- 4,461,396 A 7/1984 Harper
- D286,250 S \* 10/1986 Prescott ..... D7/557
- D303,194 S \* 9/1989 Darby et al. .... D7/507

- D304,658 S \* 11/1989 Mattei ..... D7/505
- 4,938,373 A 7/1990 McKee
- 5,058,737 A 10/1991 Patterson et al.
- D331,860 S 12/1992 Stanfield
- 5,184,750 A 2/1993 Moller
- 5,184,751 A 2/1993 Middleton

(Continued)

**OTHER PUBLICATIONS**

Non-Final Office Action dated Jul. 13, 2015 for U.S. Appl. No. 14/324,637 13 pages.

(Continued)

*Primary Examiner* — Wan Laymon

*Assistant Examiner* — Mark Booker

(74) *Attorney, Agent, or Firm* — Foley & Lardner LLP

(57) **CLAIM**

I claim the ornamental design for a food and beverage plate, as shown and described.

**DESCRIPTION**

FIG. 1 is a front perspective view from above of the claimed design including a beverage container as unclaimed background, according to one embodiment;

FIG. 2 is a front perspective view of the claimed design of FIG. 1;

FIG. 3 is a bottom perspective view of the claimed design of FIG. 1;

FIG. 4 is a top view of the claimed design of FIG. 1;

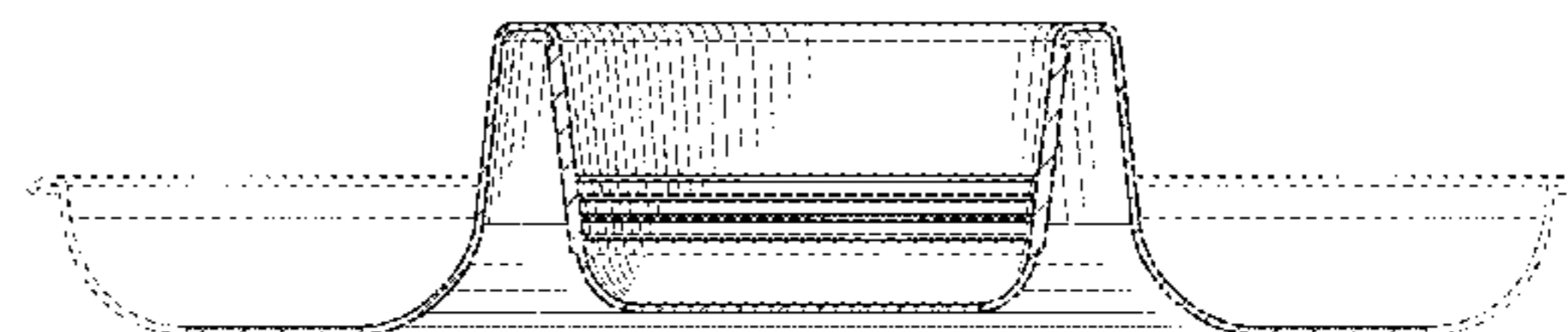
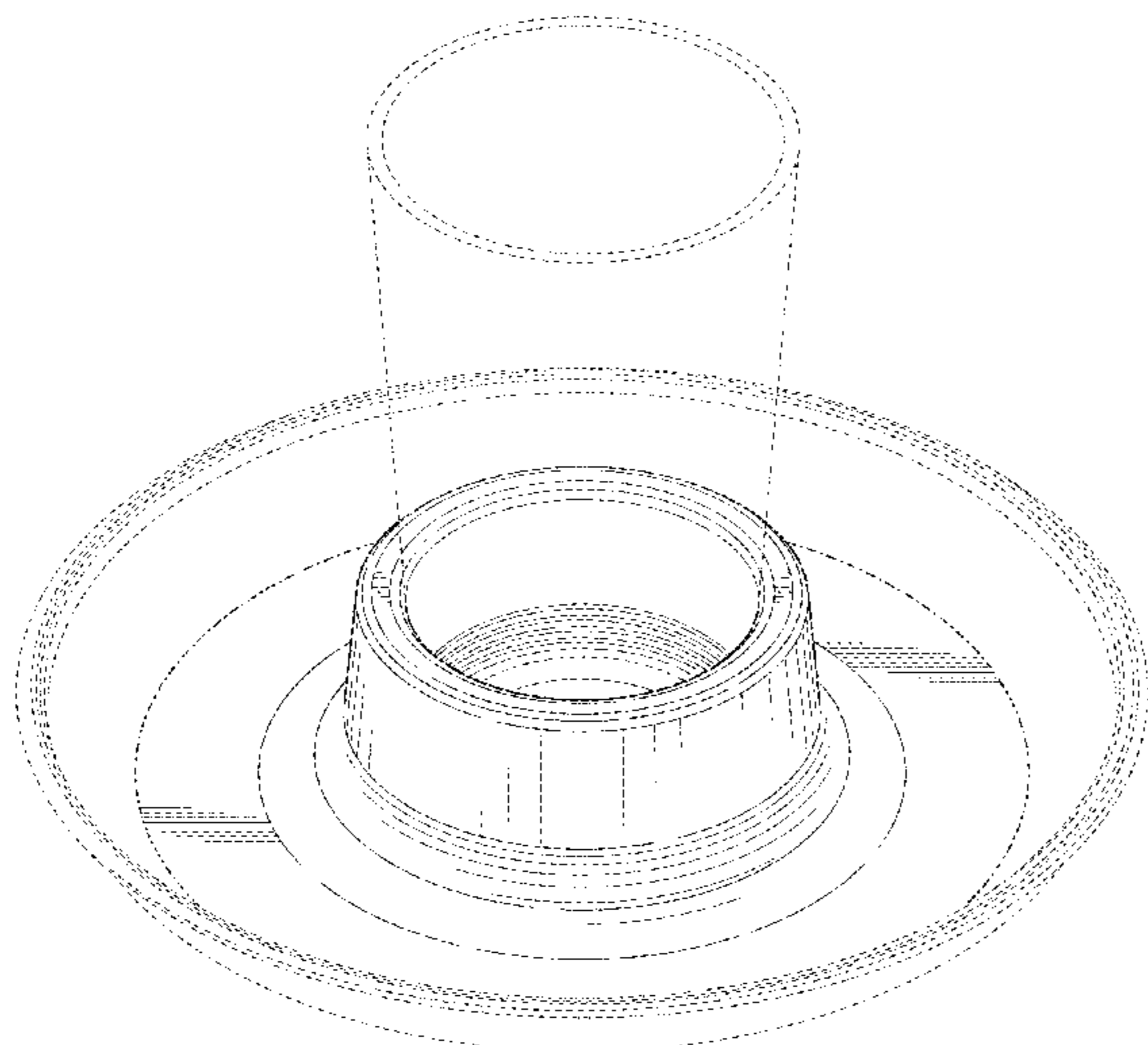
FIG. 5 is a bottom view of the claimed design of FIG. 1;

FIG. 6 is a front view of the claimed design of FIG. 1, wherein the left, right, and rear views are identical to the front view; and,

FIG. 7 is a section view of the claimed design along line 7-7 of FIG. 5.

The broken lines shown in the figures represent portions of article that form no part of the claimed design.

**1 Claim, 6 Drawing Sheets**



(56)

References Cited

U.S. PATENT DOCUMENTS

5,207,743 A 5/1993 Costarella et al.  
 5,249,700 A 10/1993 Dumke  
 D342,190 S 12/1993 Devitt  
 D356,010 S \* 3/1995 McEntee ..... D7/557  
 D360,112 S \* 7/1995 McEntee ..... D7/584  
 5,441,164 A 8/1995 Beck et al.  
 5,551,593 A 9/1996 Wiens  
 5,695,052 A 12/1997 Damato  
 D398,481 S 9/1998 Brown et al.  
 5,803,305 A 9/1998 Perlis et al.  
 D404,612 S 1/1999 Blazevich  
 5,960,982 A 10/1999 Perlis et al.  
 6,062,418 A 5/2000 Rathjen  
 6,129,235 A 10/2000 Creske  
 D444,676 S 7/2001 Murphy  
 D453,308 S 2/2002 McCauley  
 6,516,747 B1 2/2003 Willinger  
 6,550,630 B1 4/2003 Krupa  
 6,691,890 B1 2/2004 Persson  
 D502,058 S 2/2005 Stilz  
 D509,994 S 9/2005 Hadland  
 D511,273 S 11/2005 Hadelar  
 D516,867 S 3/2006 Martin et al.  
 D523,185 S \* 6/2006 Oliphant ..... D30/130  
 D526,536 S 8/2006 Littlejohn et al.  
 D527,224 S 8/2006 Roth et al.  
 D527,952 S 9/2006 Roth et al.  
 D527,954 S 9/2006 Roth

D560,044 S 1/2008 Roes  
 D568,112 S 5/2008 Epstein  
 D574,180 S 8/2008 Broom  
 D576,448 S 9/2008 Harris  
 D579,274 S 10/2008 Bizzell  
 D582,102 S 12/2008 Roes  
 D592,017 S 5/2009 Bizzell  
 D593,364 S 6/2009 Harris  
 D597,261 S 7/2009 Dye et al.  
 D623,806 S 9/2010 Modi et al.  
 7,992,740 B2 8/2011 Kinchen  
 D654,230 S 2/2012 Tedaldi et al.  
 D682,037 S 5/2013 Cloutier  
 D691,857 S 10/2013 Muspratt-Williams et al.  
 8,672,175 B2 3/2014 Farmer  
 D704,512 S \* 5/2014 Kellow, Jr. .... D7/553.8  
 D716,003 S 10/2014 Brown  
 9,060,628 B2 6/2015 Evans  
 2003/0098310 A1 5/2003 McGee  
 2008/0156811 A1 7/2008 Lu et al.  
 2008/0173652 A1 7/2008 Chou  
 2009/0194543 A1 8/2009 Farmer  
 2014/0367392 A1 \* 12/2014 McClinton ..... 220/574  
 2015/0008231 A1 \* 1/2015 Kellow, JR. .... 220/575

OTHER PUBLICATIONS

US Notice of Allowance dated Jul. 6, 2015 for U.S. Appl. No. 29/485,016 10 pages.

\* cited by examiner

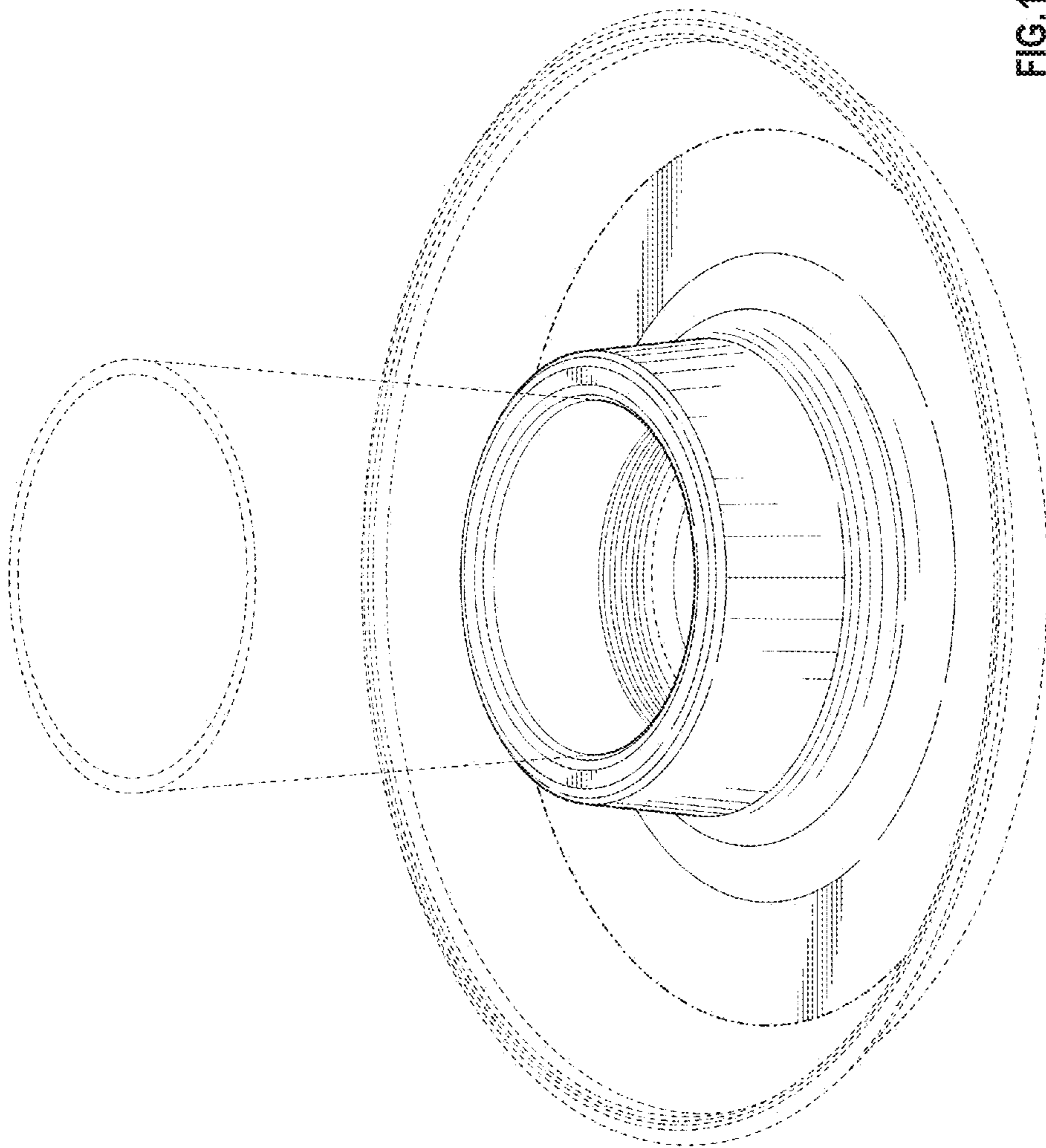


FIG. 1

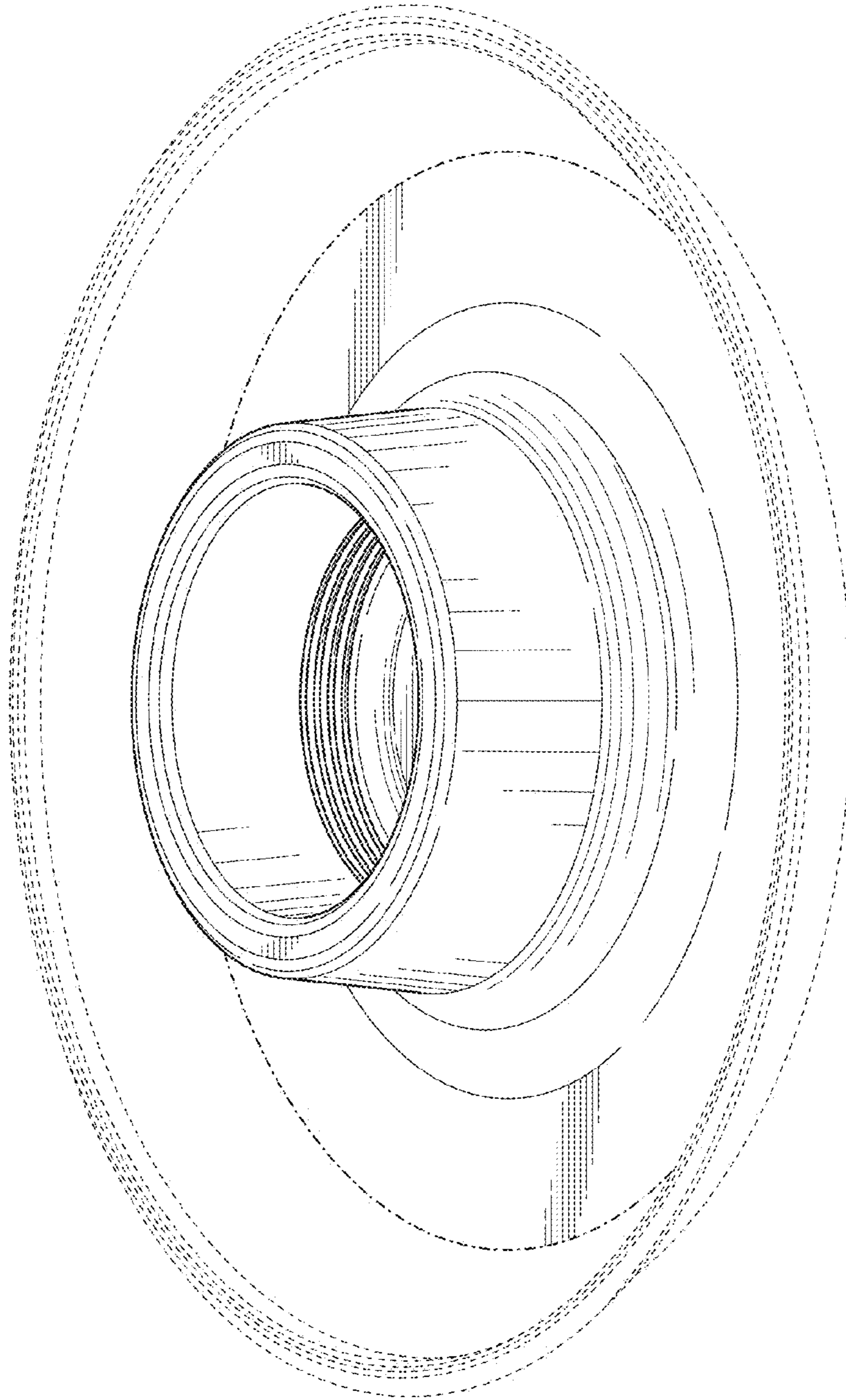


FIG. 2

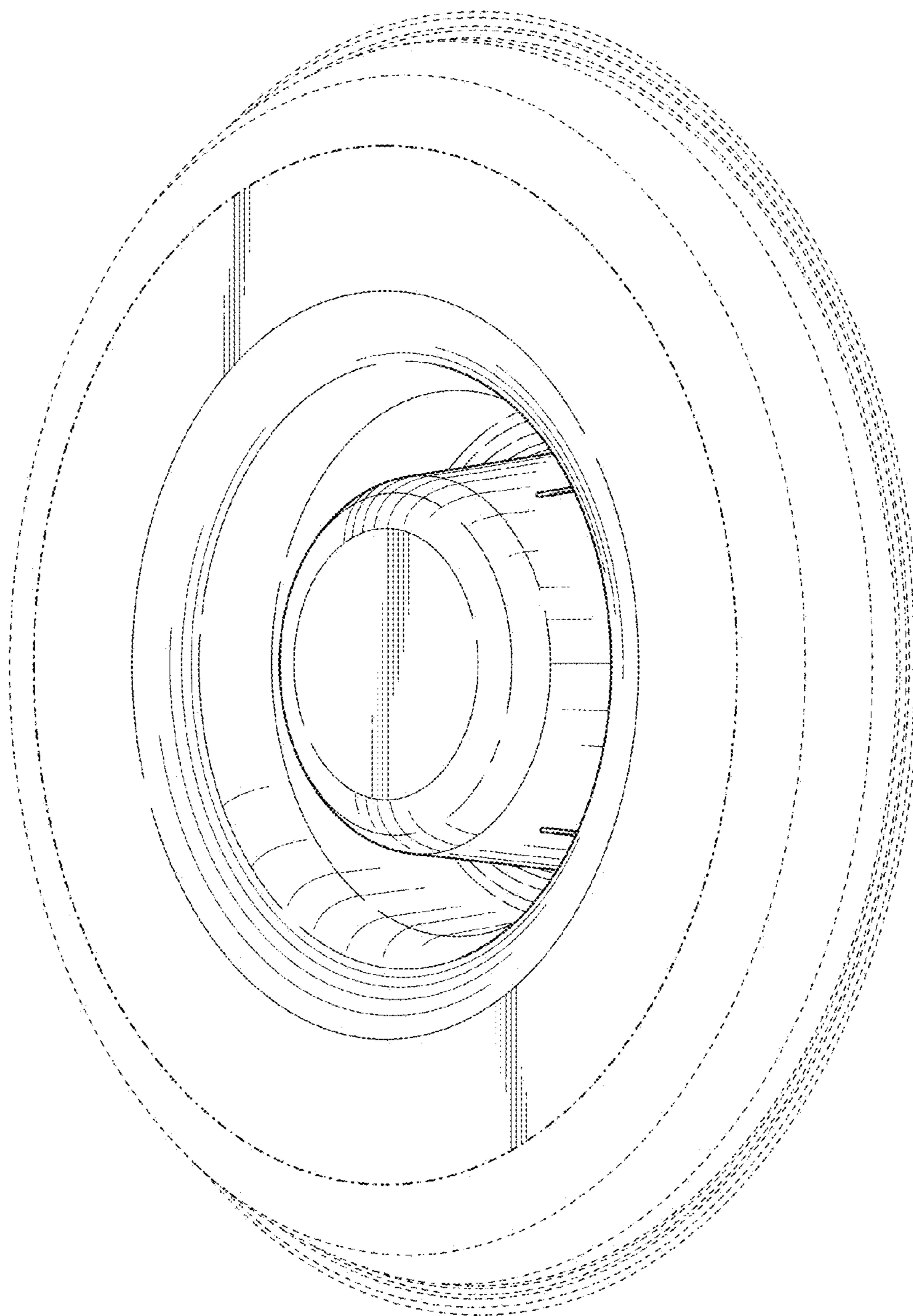


FIG. 3

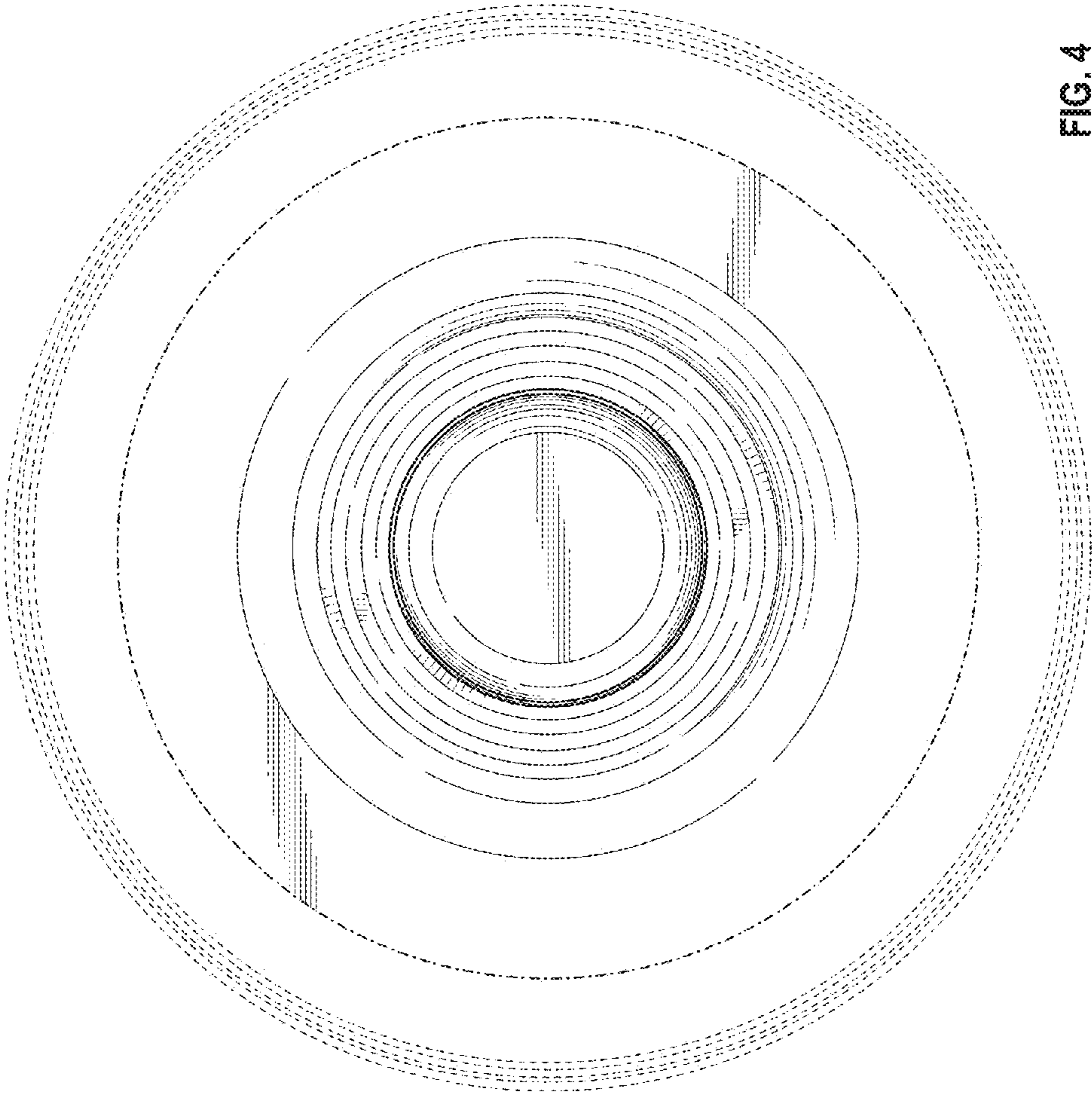


FIG. 4

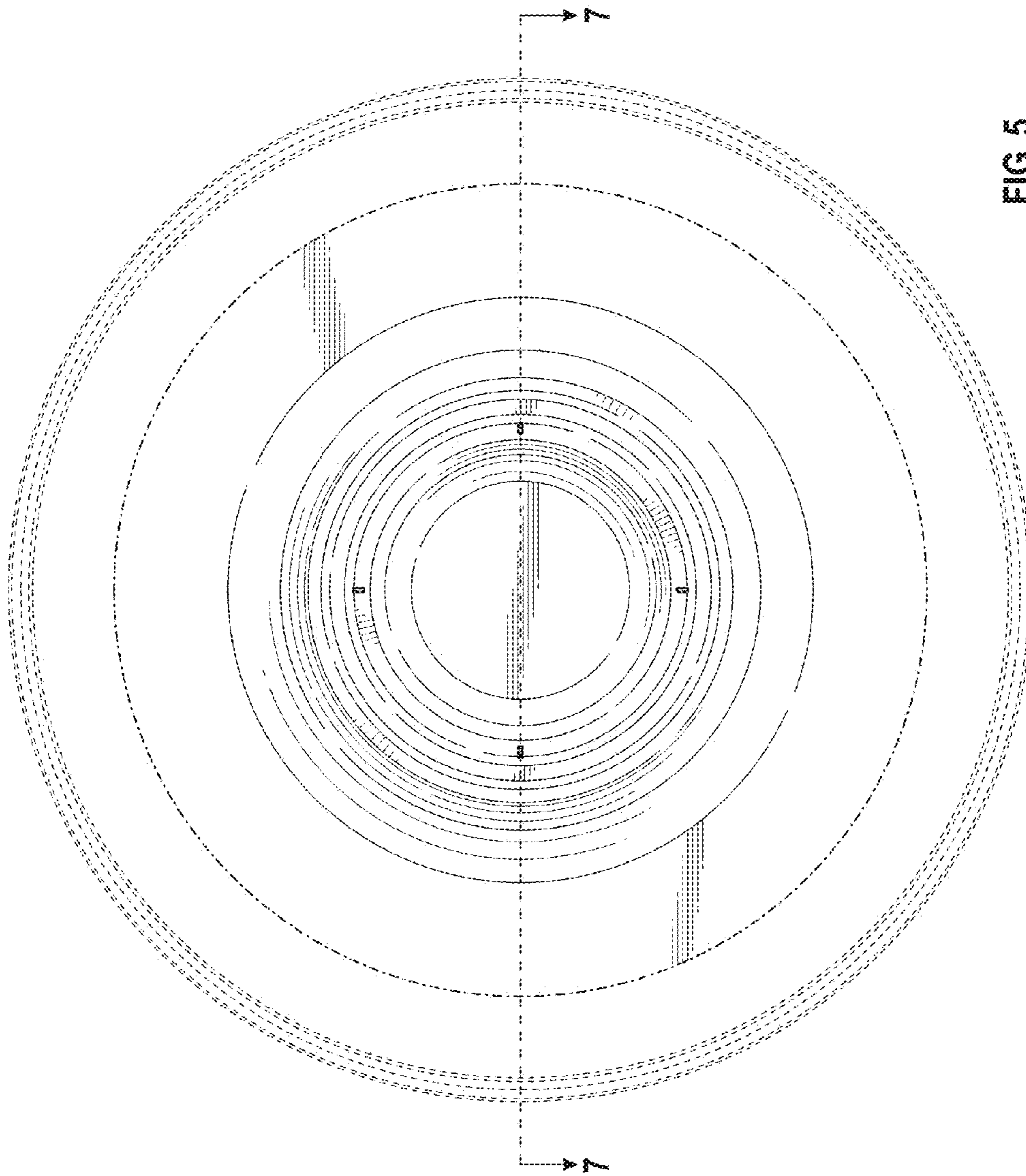


FIG. 5

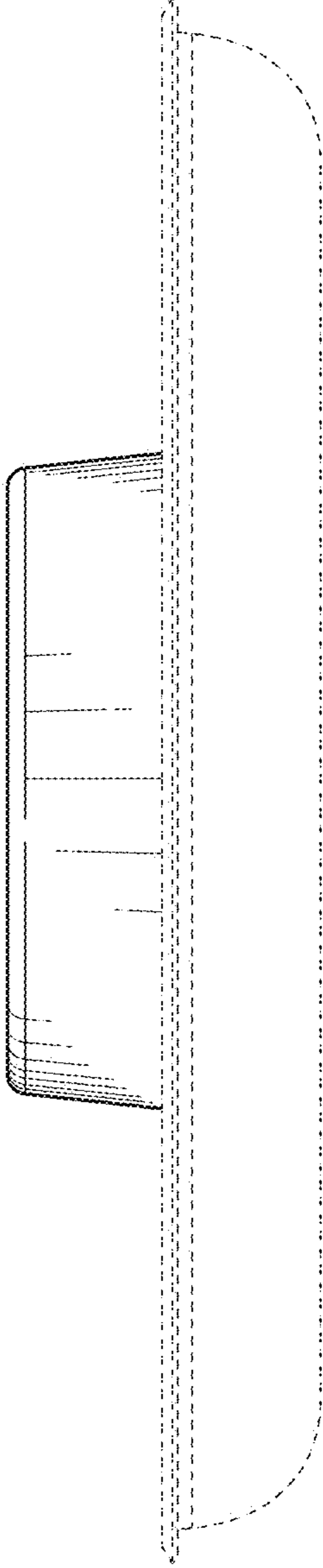


FIG. 6

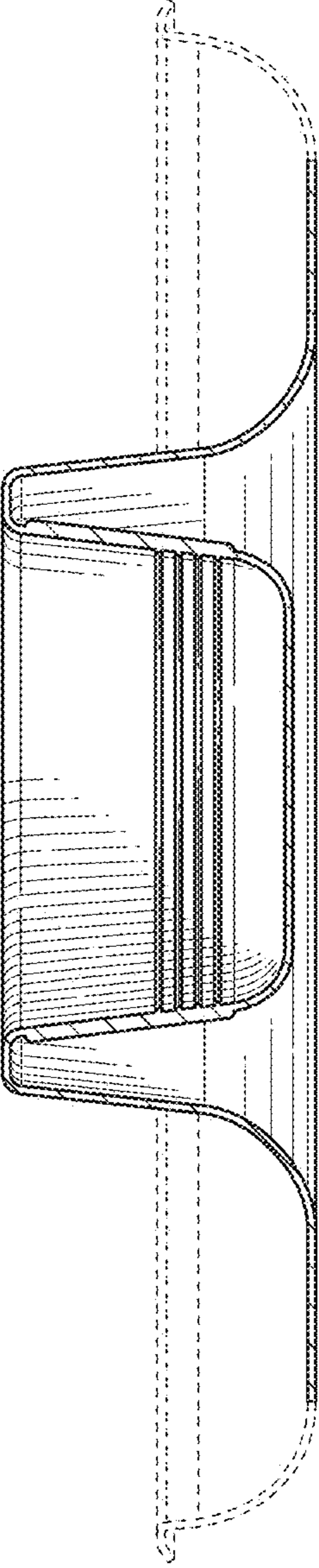


FIG. 7