



US00D750936S

(12) **United States Design Patent**
Kemker et al.

(10) **Patent No.:** **US D750,936 S**
(45) **Date of Patent:** **** Mar. 8, 2016**

- (54) **MIXING VESSEL FOR A FOOD PREPARATION APPLIANCE**
- (71) Applicant: **Vorwerk & Co. Interholding GmbH**, Wuppertal (DE)
- (72) Inventors: **Uwe Kemker**, Wuppertal (DE); **Felix Thies**, Wuppertal (DE)
- (73) Assignee: **Vorwerk & Co. Interholding GmbH**, Wuppertal (DE)
- (**) Term: **14 Years**
- (21) Appl. No.: **29/501,271**
- (22) Filed: **Sep. 3, 2014**
- (51) **LOC (10) Cl.** **31-00**
- (52) **U.S. Cl.**
USPC **D7/413; D7/376; D7/378; D7/412**
- (58) **Field of Classification Search**
USPC **D7/372, 376-386, 412-413, 602, 629, D7/665-666, 669, 679, 693-694**
CPC **A21C 1/02; A21C 1/04; A23N 1/00; A23N 1/02; A47J 43/04; A47J 43/25; A47J 43/27; A47J 43/042; A47J 43/044; A47J 43/046; A47J 43/075; A47J 43/0722; A47J 43/0727; B01F 3/00; B01F 3/0807; B01F 3/0853; B01F 13/0059; B01F 13/0064; B02C 1/08; B02C 2/04; B02C 4/42; B02C 4/142; B02C 4/143; B02C 4/423; B02C 13/1835; B28C 5/10; B28C 5/12; B28C 5/14; B28C 5/16**
See application file for complete search history.

- (56) **References Cited**
U.S. PATENT DOCUMENTS
D386,357 S * 11/1997 Davidson D7/413
D404,247 S * 1/1999 Spagnolo D7/378
D499,606 S * 12/2004 Feil D7/413

- D532,251 S * 11/2006 Kassenaar D7/378
- D537,674 S * 3/2007 Davenport D7/378
- D543,072 S * 5/2007 Ting D7/378
- D553,426 S * 10/2007 Lin D7/378
- D563,164 S * 3/2008 Sands D7/413
- D568,096 S * 5/2008 Sun D7/378
- D617,136 S * 6/2010 Bock D7/378
- D645,301 S * 9/2011 Tse D7/376
- D659,469 S * 5/2012 Hoare D7/376
- D738,685 S * 9/2015 Sands D7/376

* cited by examiner

Primary Examiner — Ricky Pham
(74) *Attorney, Agent, or Firm* — Collard & Roe, P.C.

(57) **CLAIM**
The ornamental design for a mixing vessel for a food preparation appliance, as shown and described.

DESCRIPTION

FIG. 1 is a rear view of a mixing vessel for a food preparation appliance showing our new design, shown with the lid for completeness of illustration;
FIG. 2 is a first side view thereof;
FIG. 3 is a front view thereof;
FIG. 4 is a second side view thereof, opposite the first side view shown in FIG. 2;
FIG. 5 is a top view thereof;
FIG. 6 is a bottom view thereof;
FIG. 7 is a rear, second side and top perspective view thereof;
FIG. 8 is a rear view of FIG. 1, shown with the lid removed for ease of illustration;
FIG. 9 is a first side view thereof;
FIG. 10 is a front view thereof;
FIG. 11 is a second side view thereof, opposite the first side view shown in FIG. 9;
FIG. 12 is a top view thereof;
FIG. 13 is a bottom view thereof; and
FIG. 14 is a rear, second side and top perspective view thereof.

1 Claim, 14 Drawing Sheets

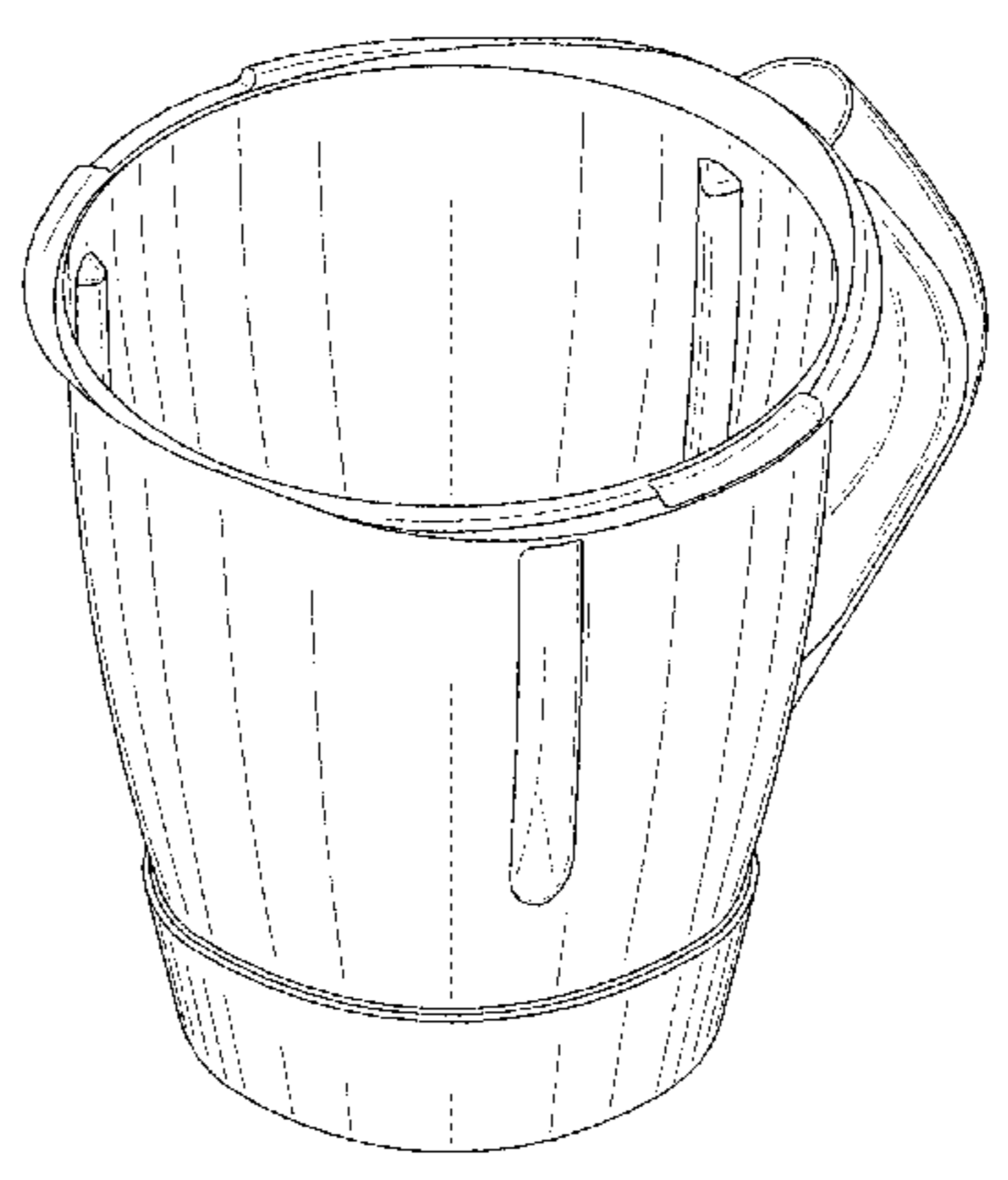
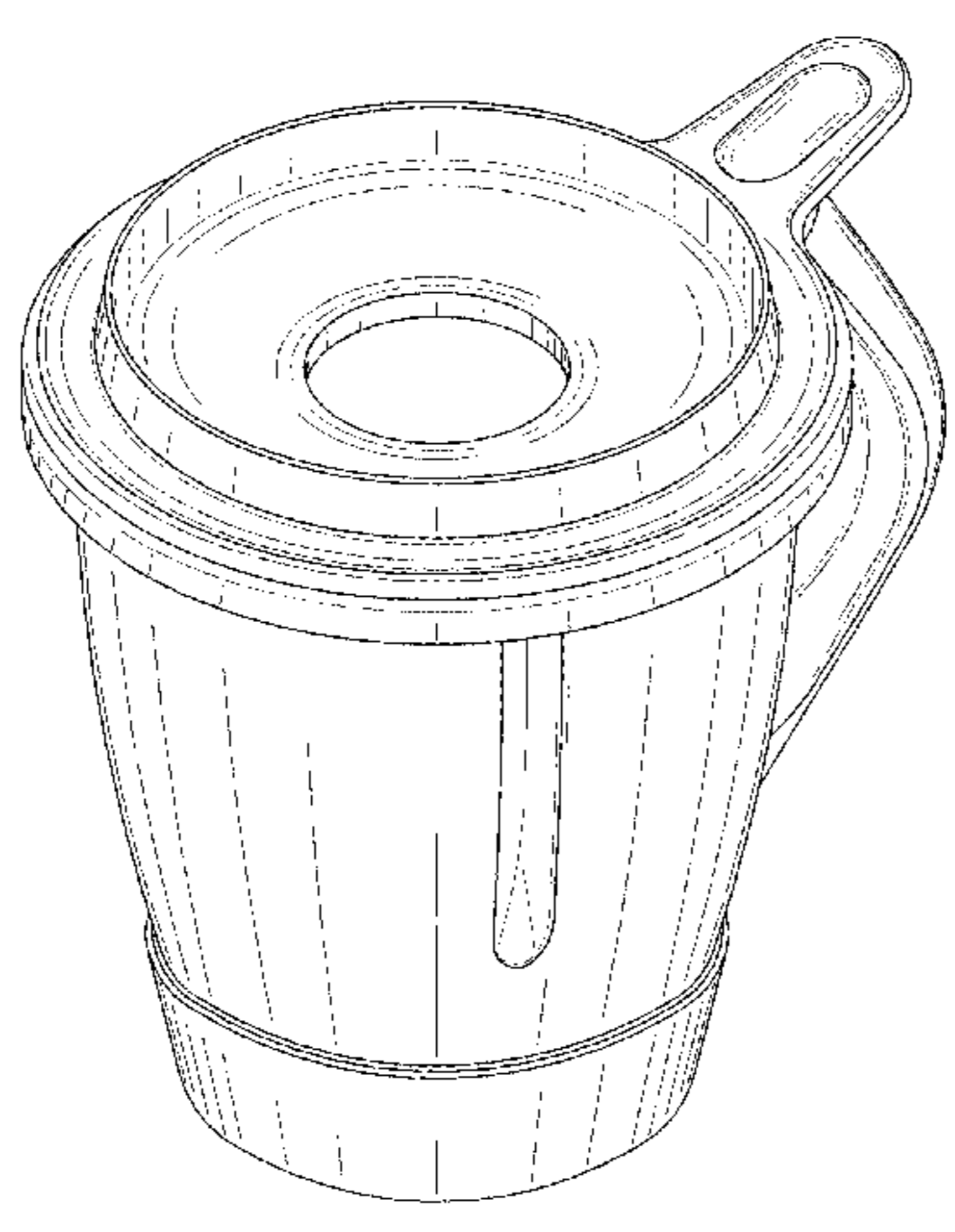


Fig. 1

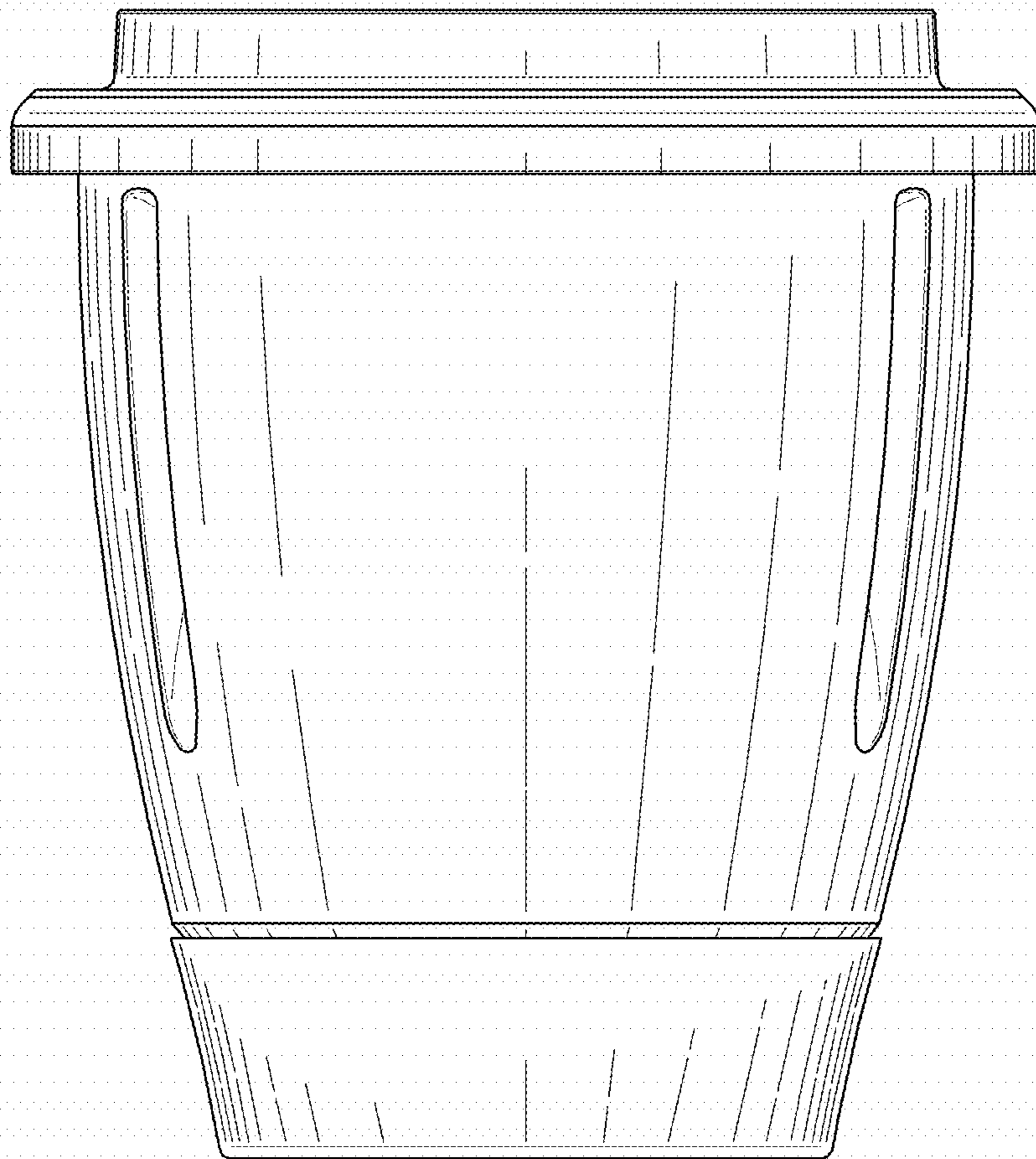


Fig. 2

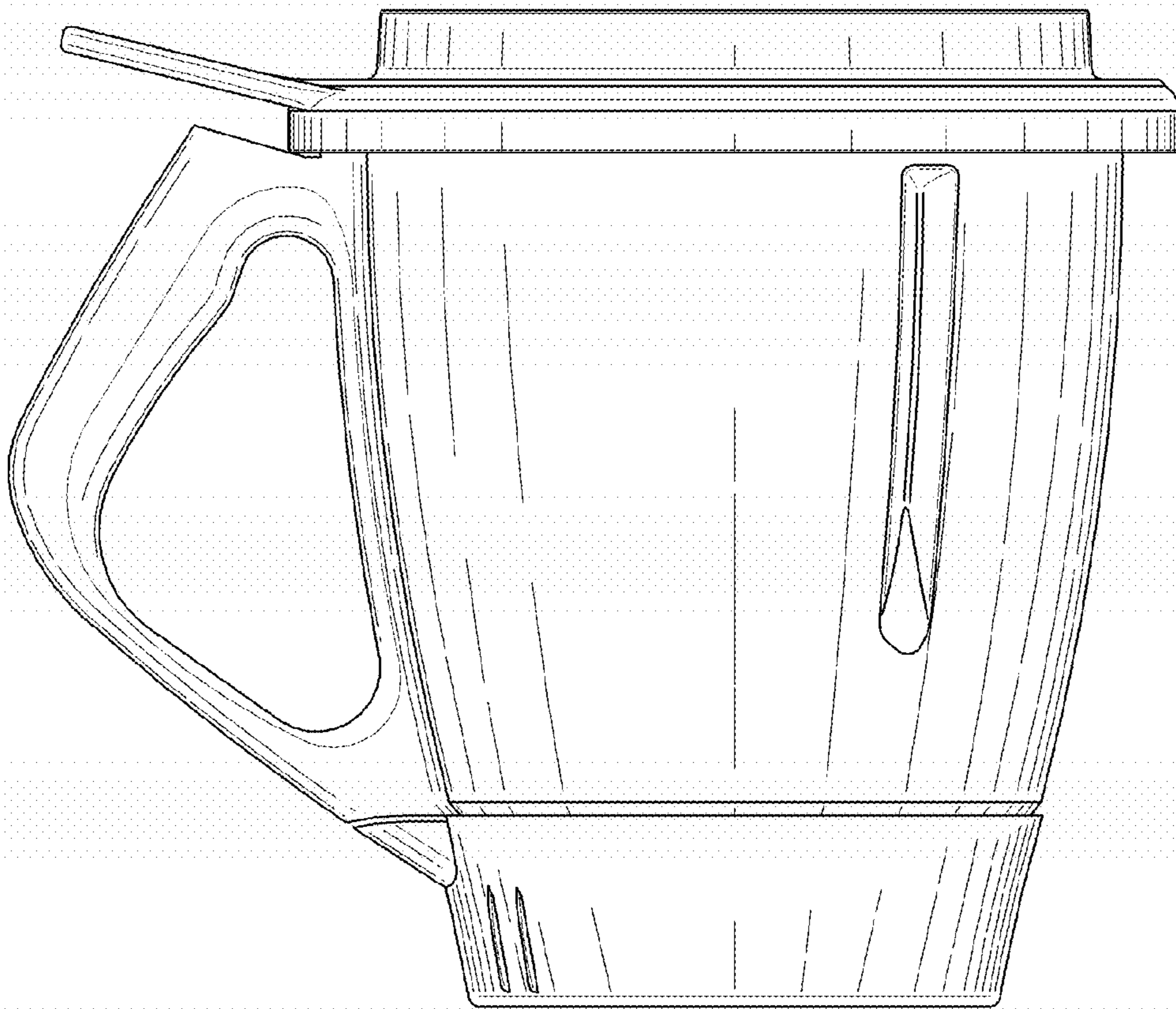


Fig. 3

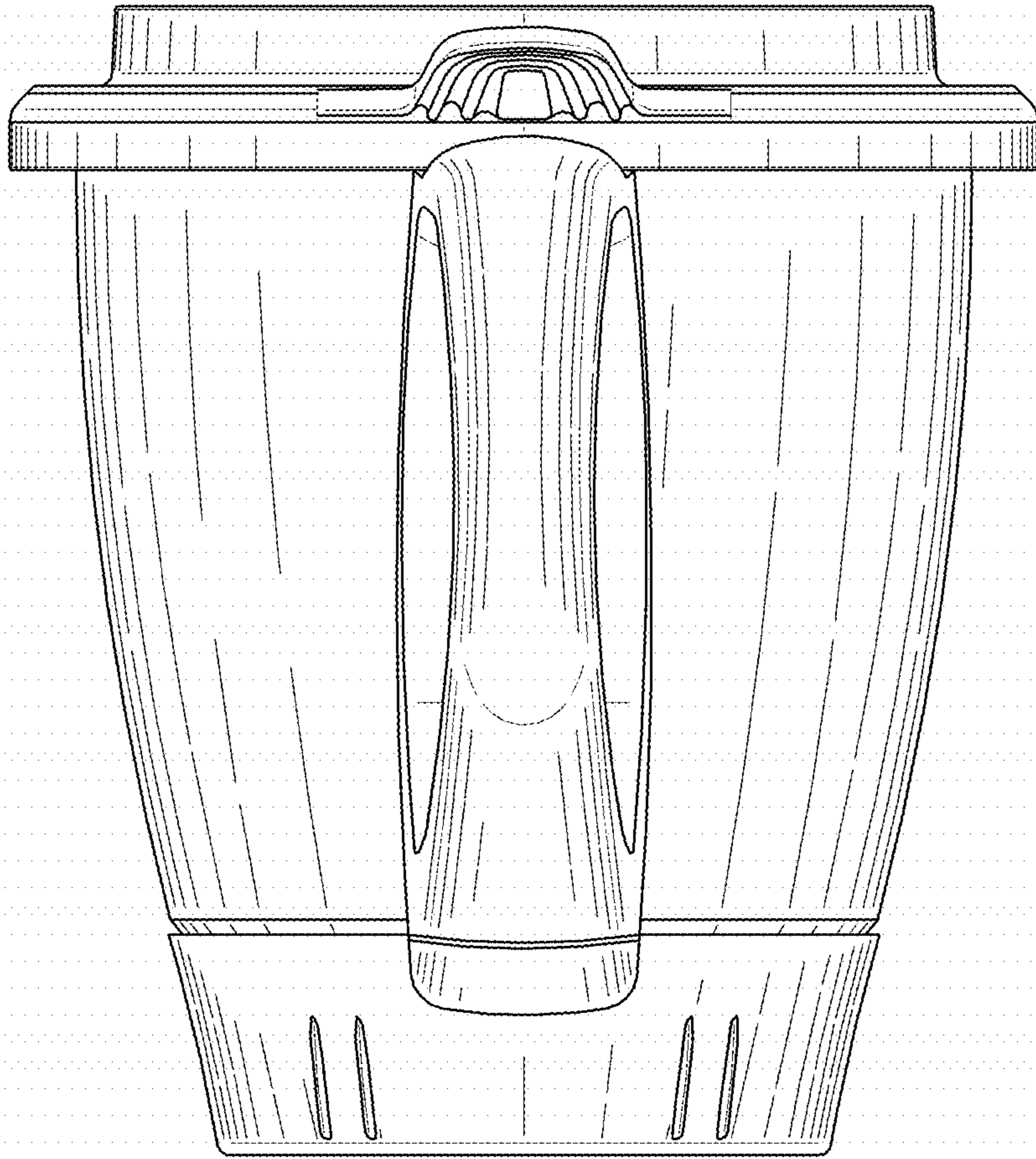


Fig. 4

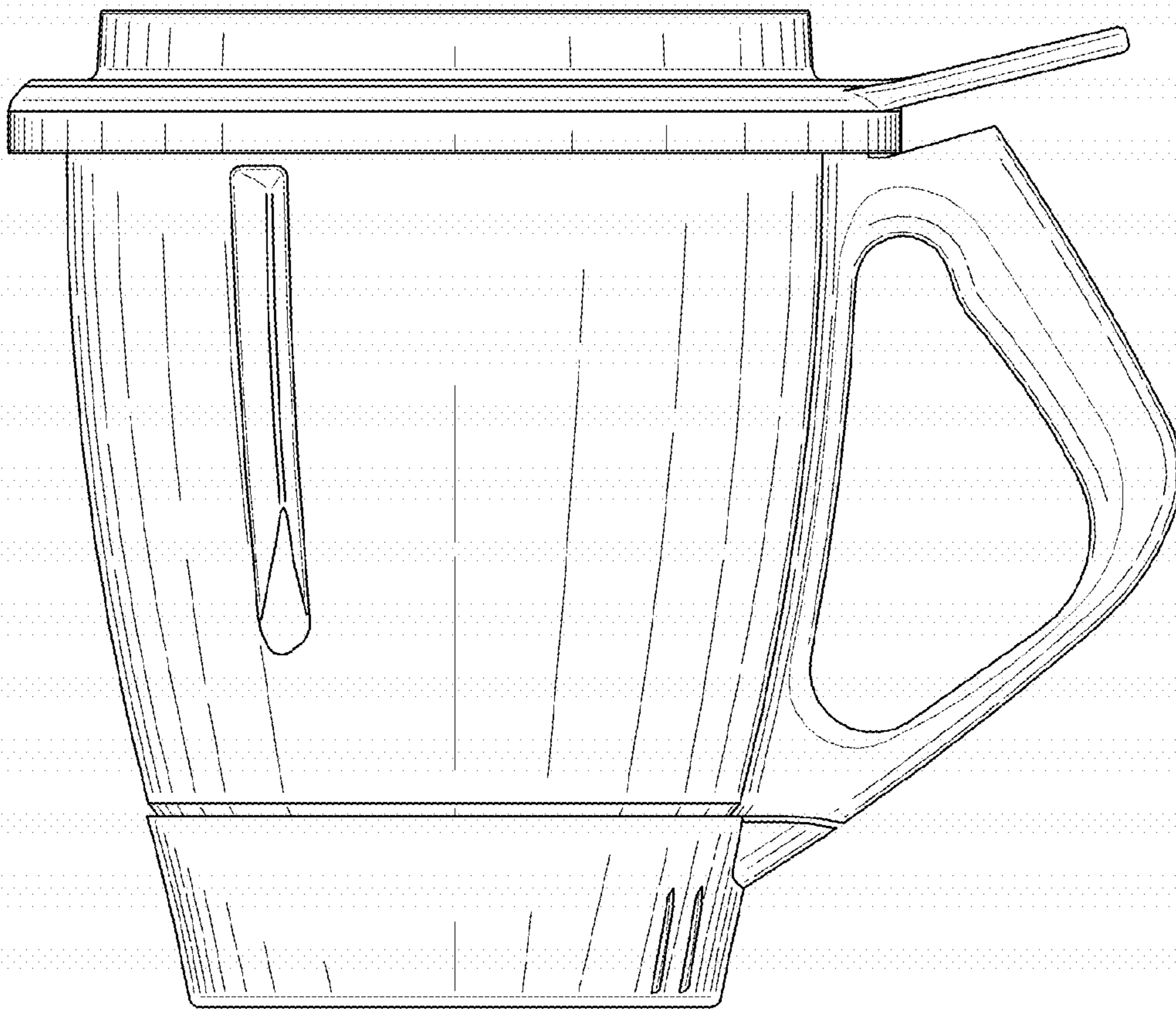


Fig. 5

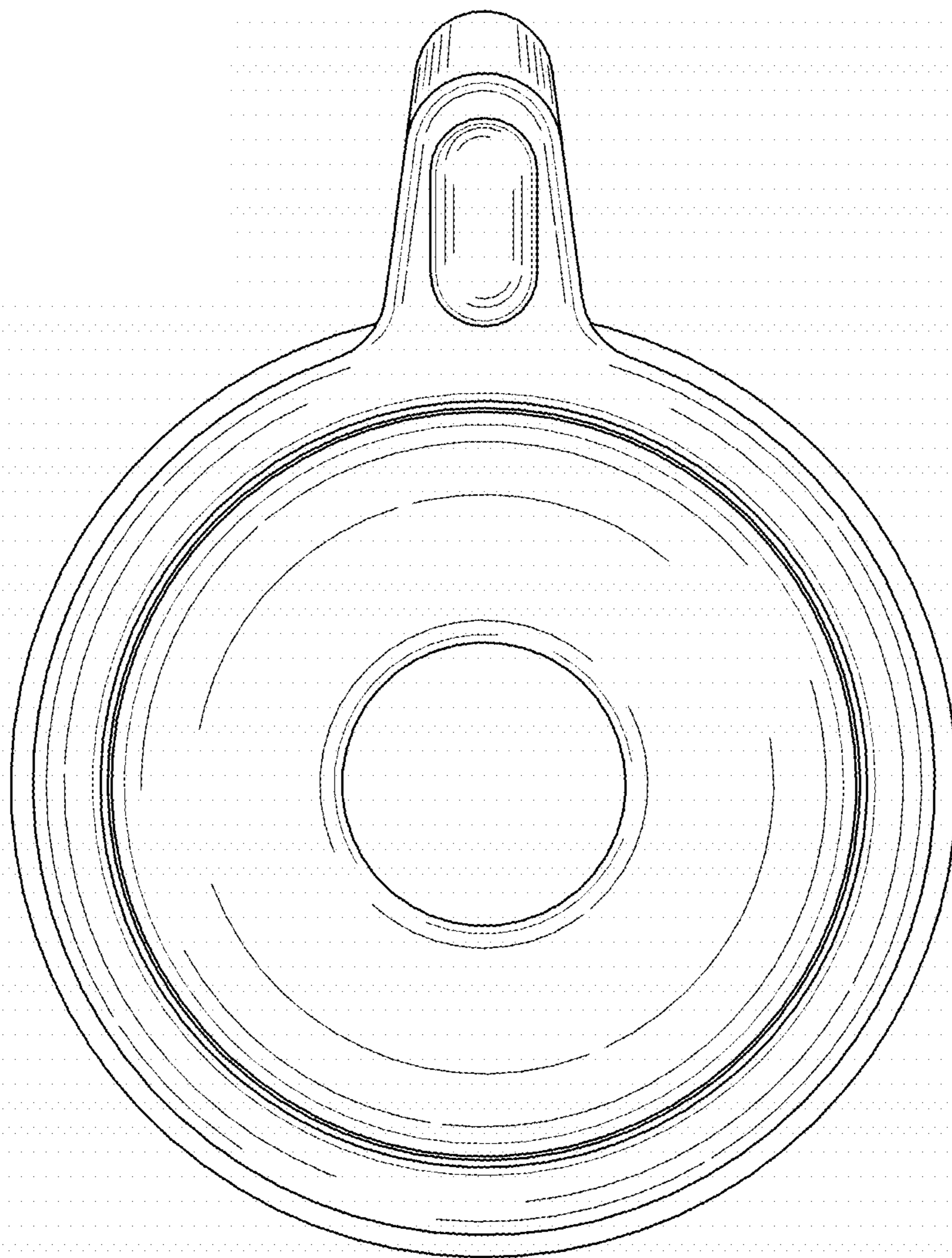


Fig. 6

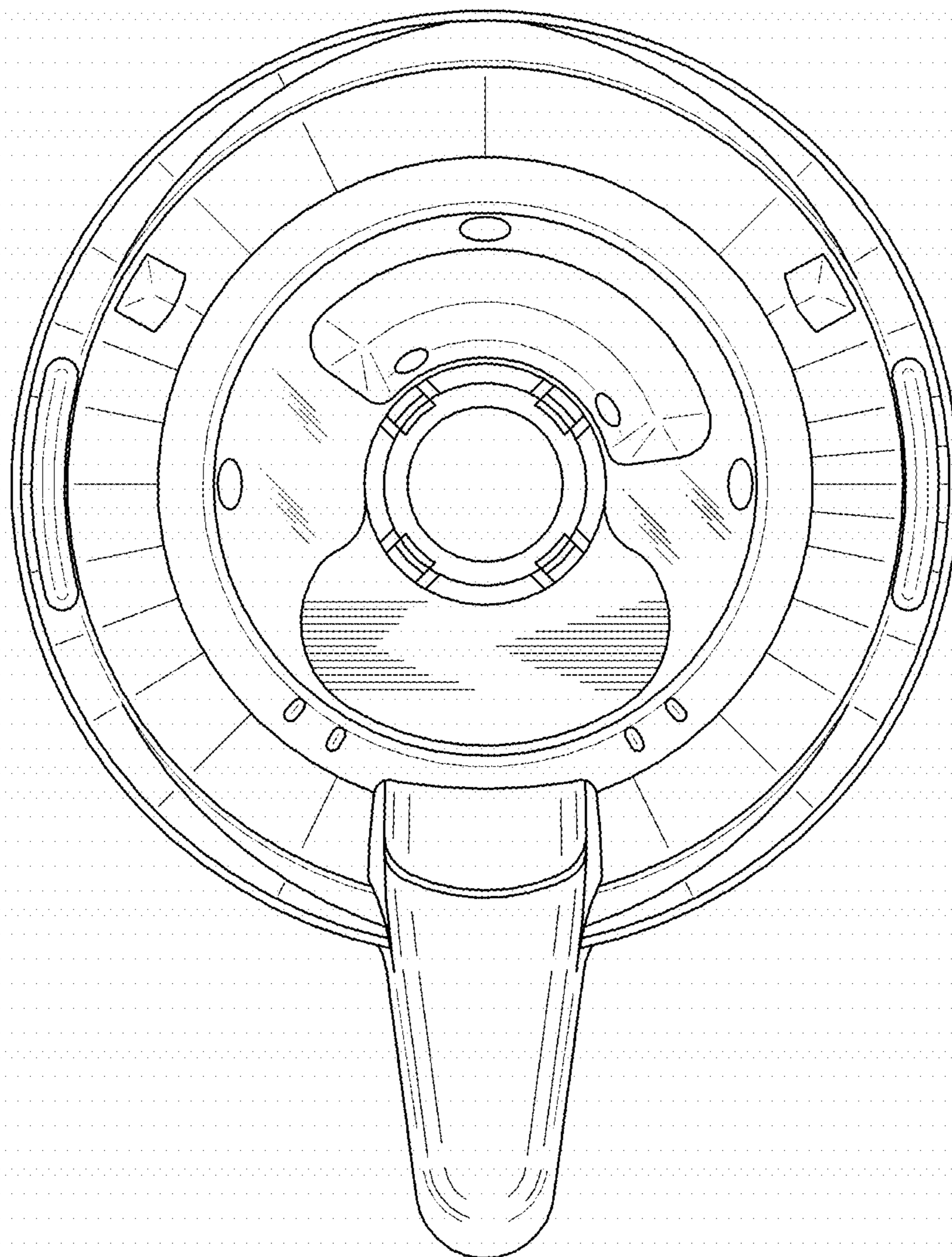


Fig. 7

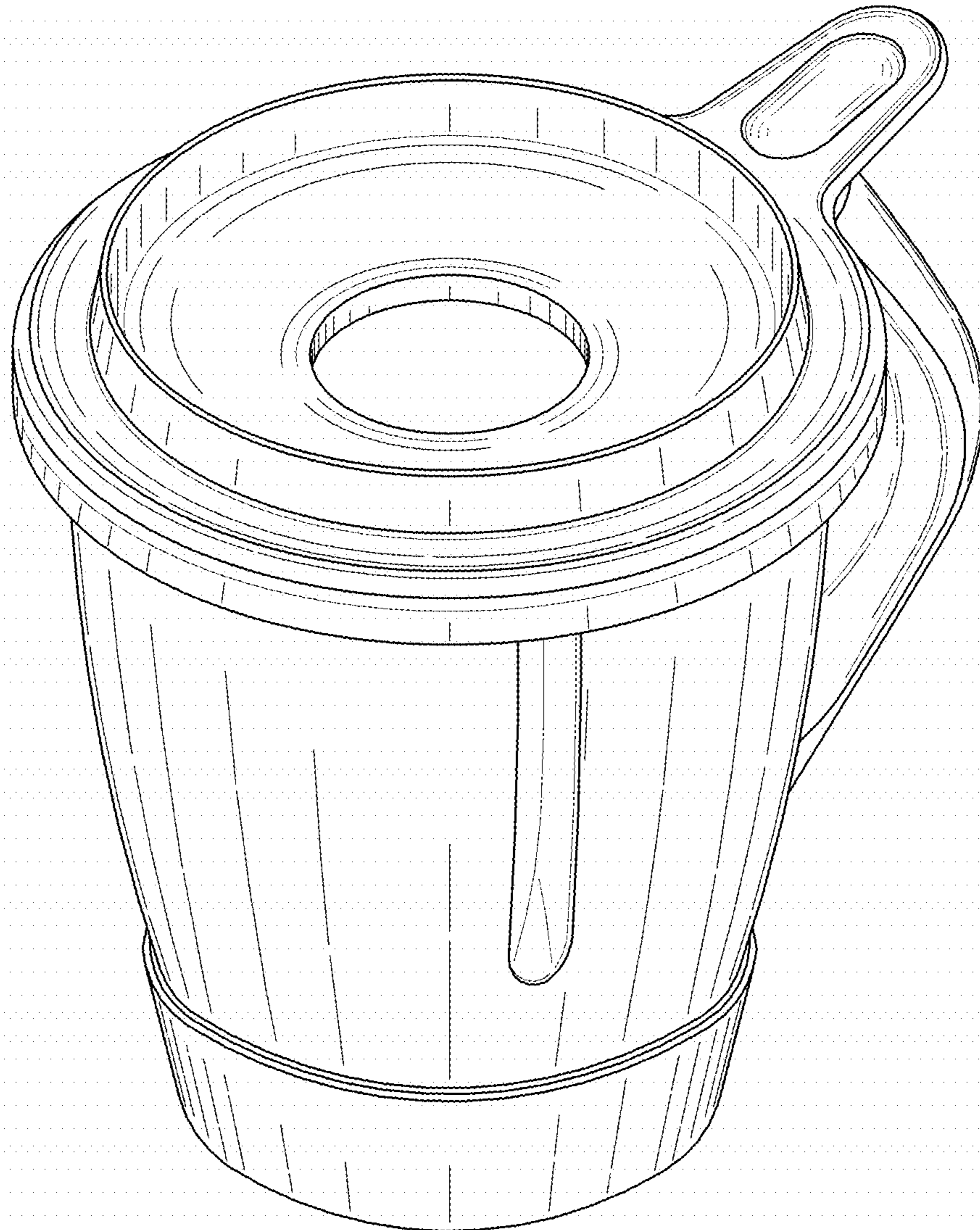


Fig. 8

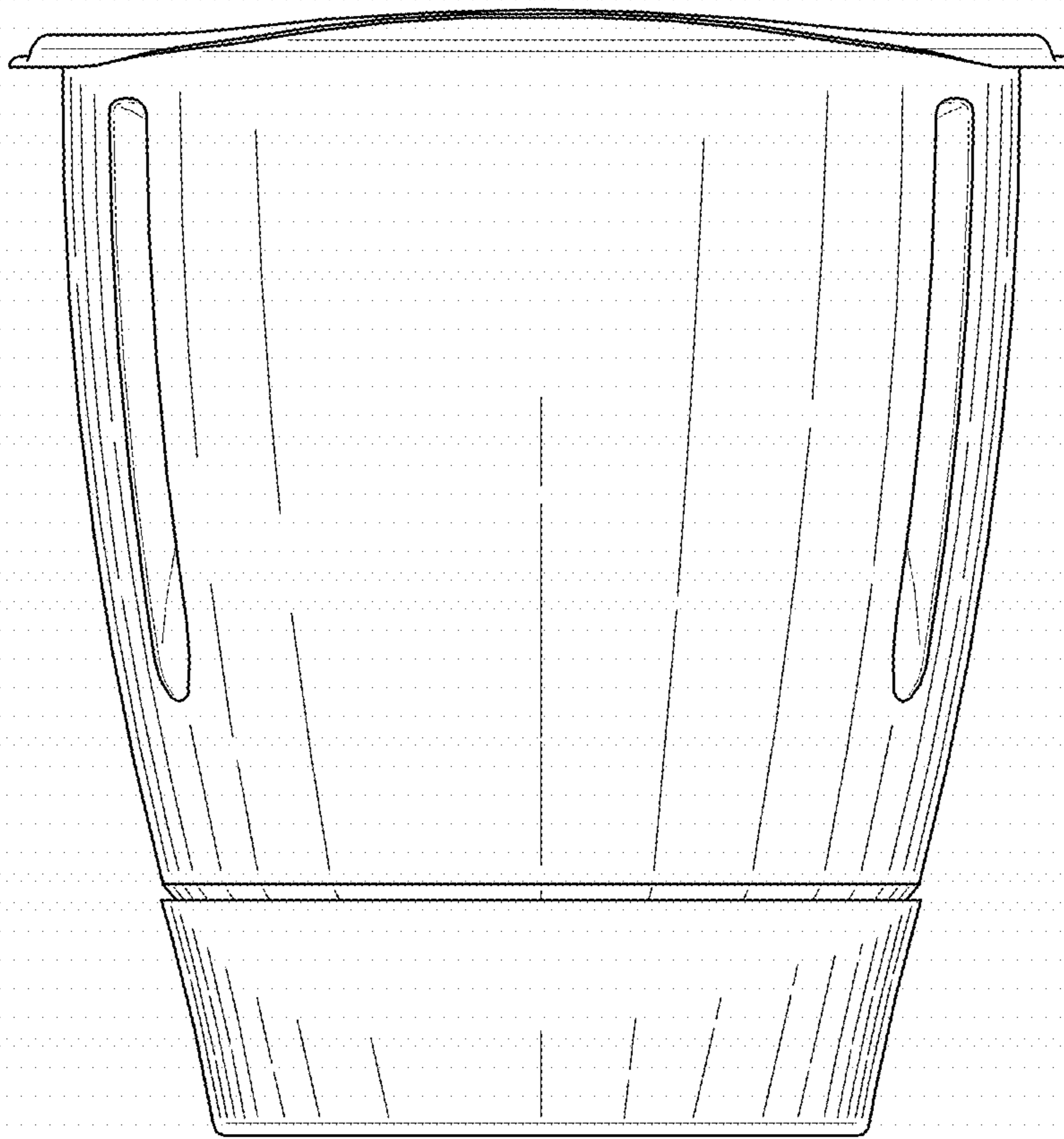


Fig. 9

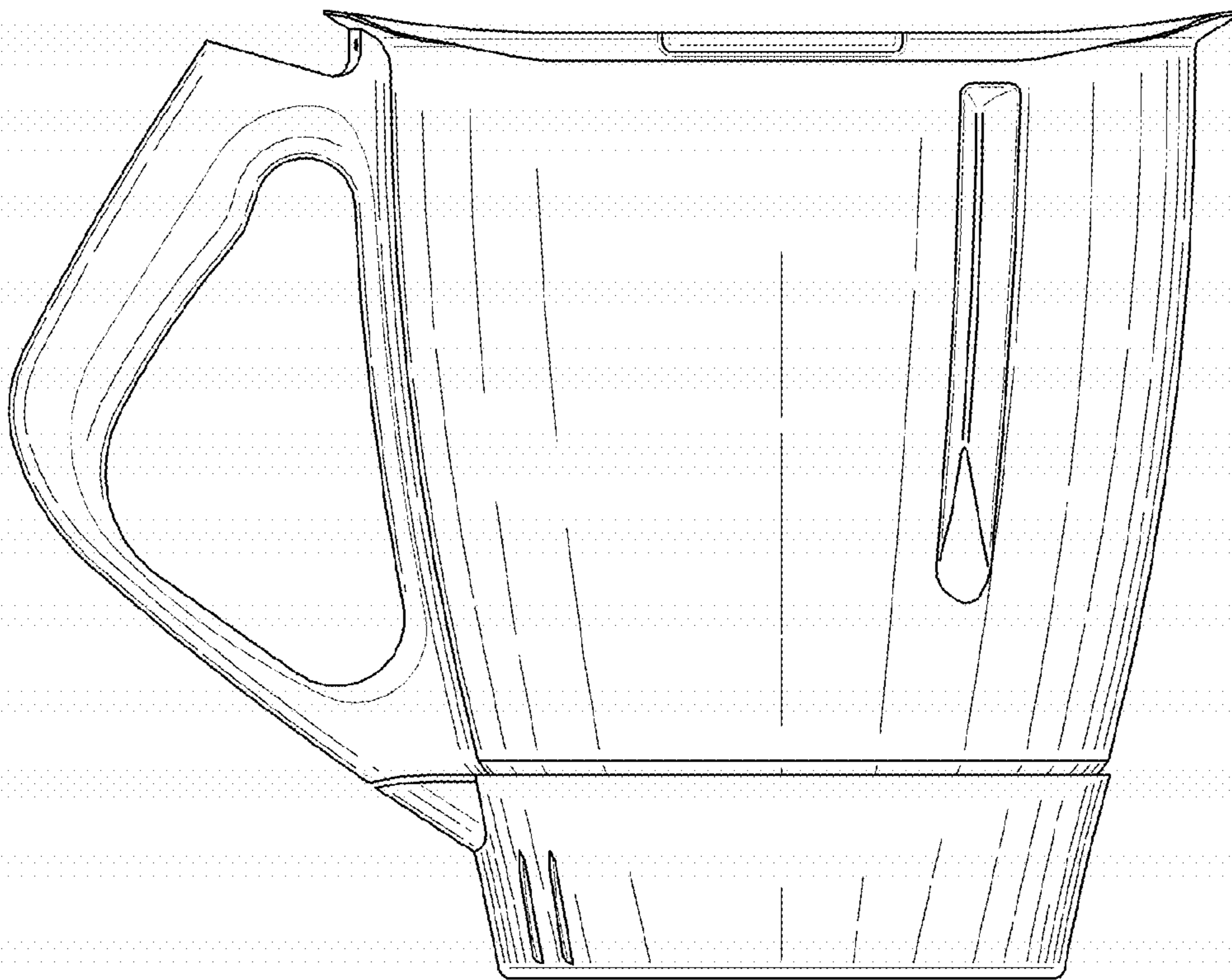


Fig. 10

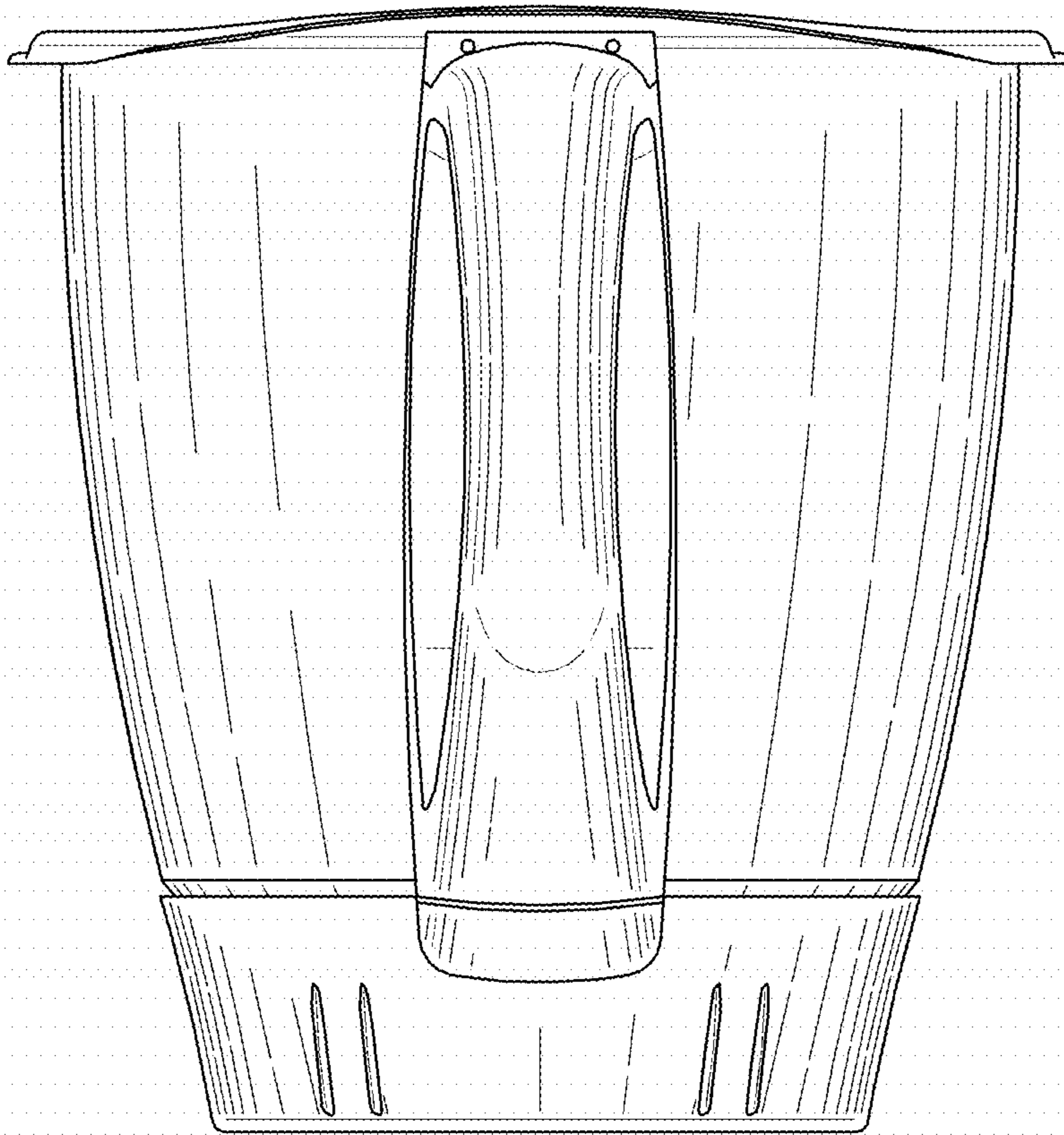


Fig. 11

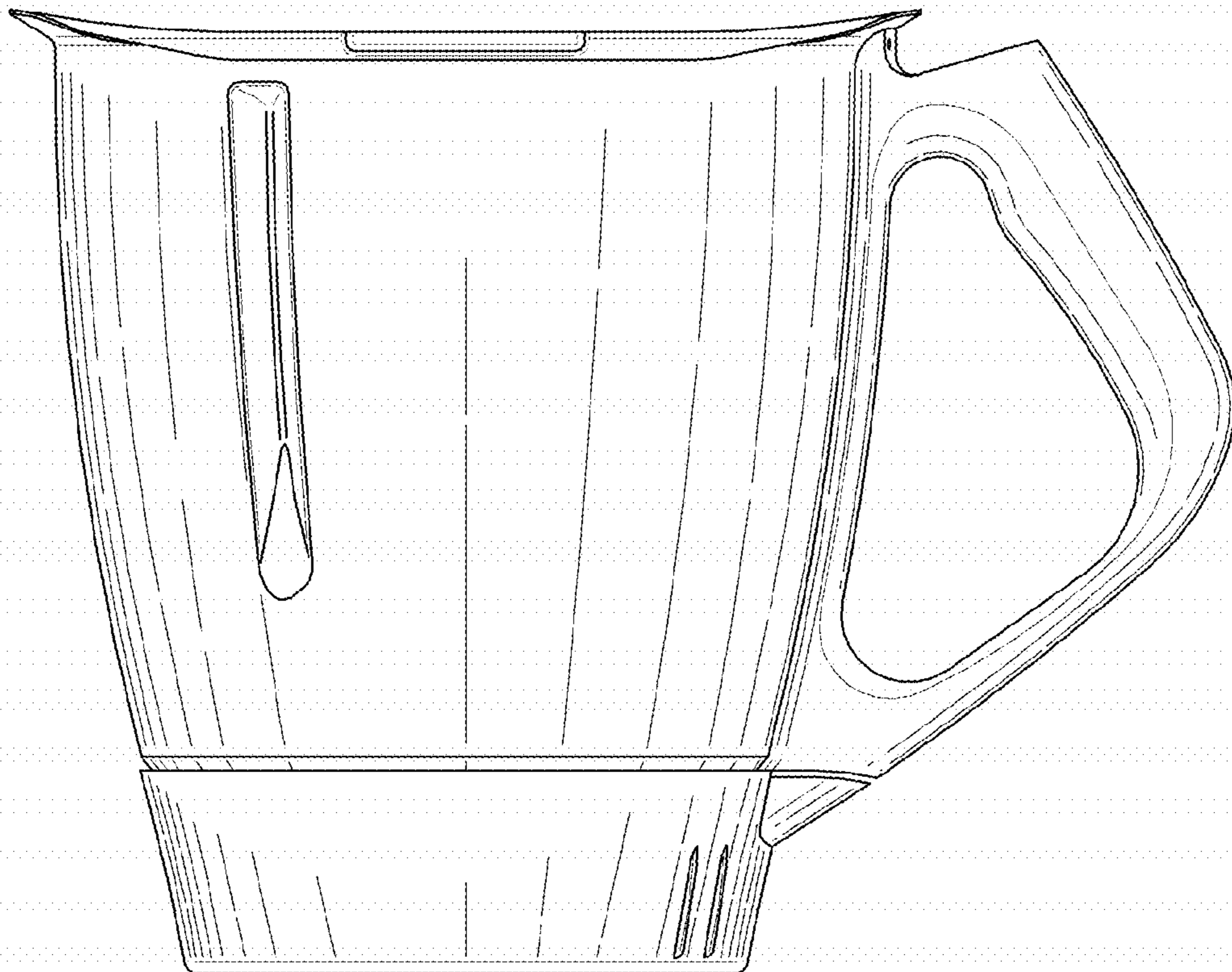


Fig. 12

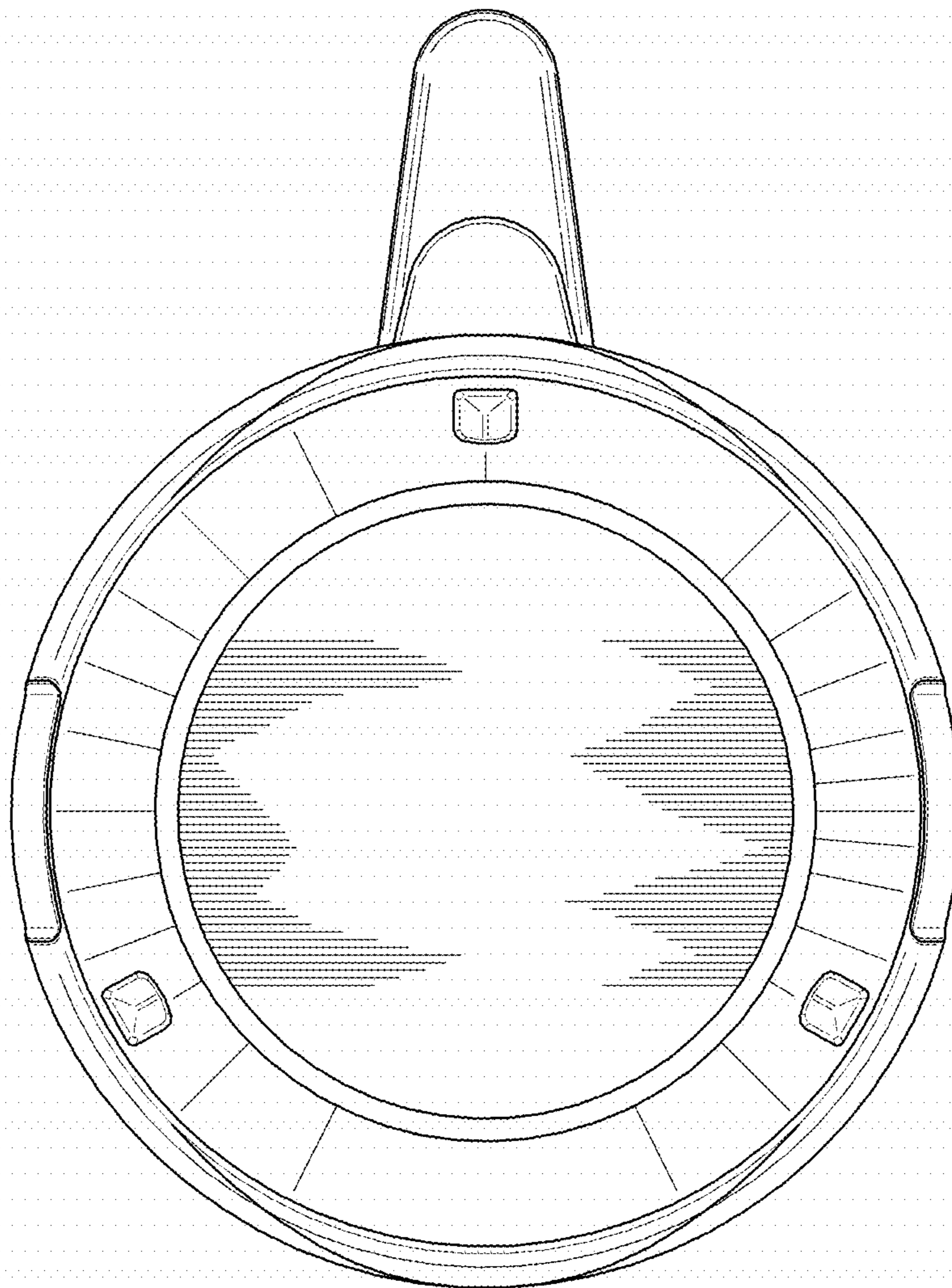


Fig. 13

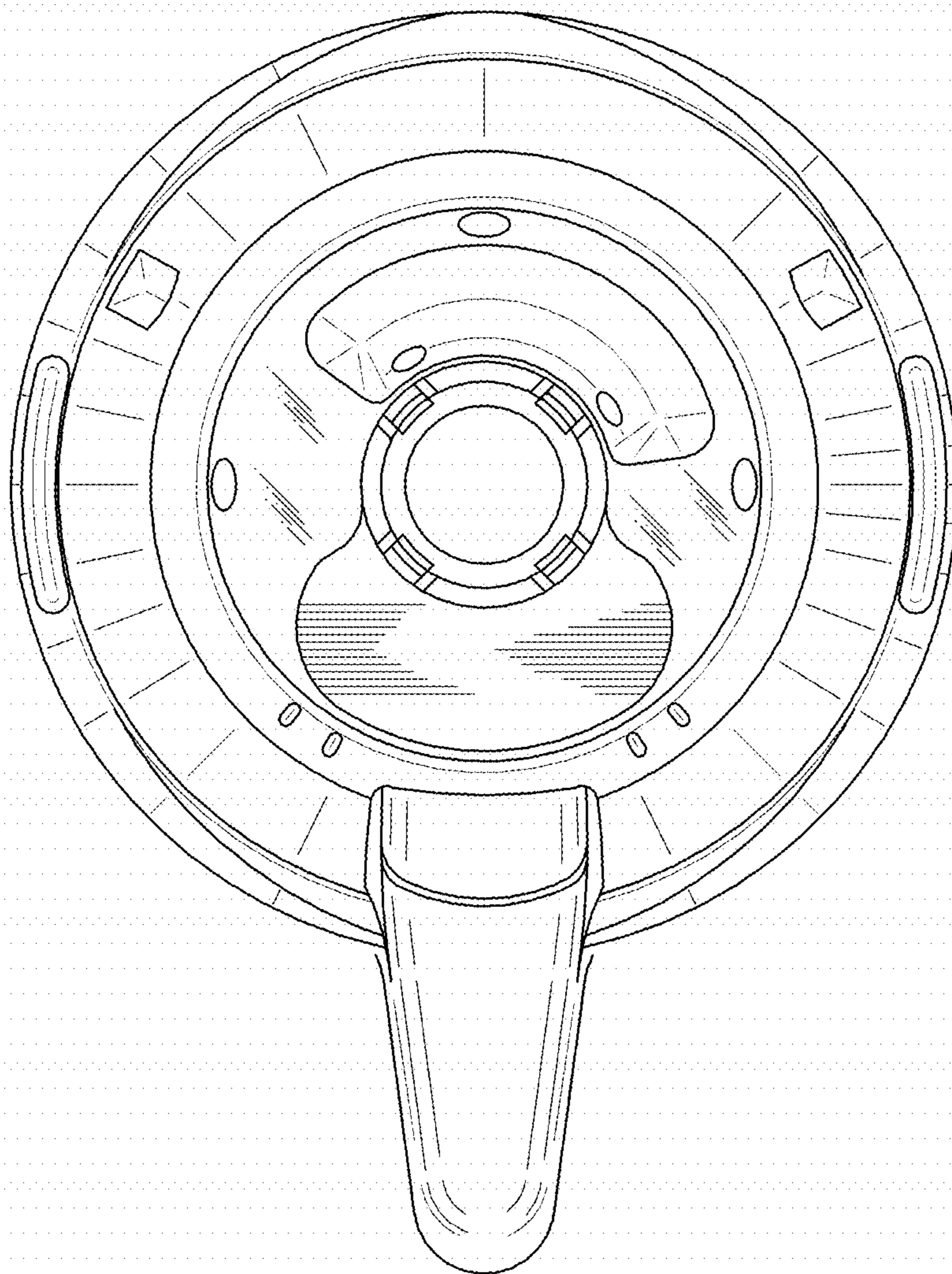


Fig. 14

