



US00D750935S

(12) **United States Design Patent**
Cook

(10) **Patent No.:** **US D750,935 S**

(45) **Date of Patent:** **** Mar. 8, 2016**

(54) **PORTABLE CAPSULE COFFEE MAKER**

(71) Applicant: **Craig Cook**, Oceanside, CA (US)

(72) Inventor: **Craig Cook**, Oceanside, CA (US)

(**) Term: **15 Years**

(21) Appl. No.: **29/527,636**

(22) Filed: **May 20, 2015**

(51) **LOC (10) Cl.** **07-99**

(52) **U.S. Cl.**
USPC **D7/400; D7/399**

(58) **Field of Classification Search**
USPC D7/306-311, 305, 300, 399, 400;
99/279, 284, 290, 280, 299, 307,
99/323.1, 295; 222/23, 129.1; 62/395;
219/689

CPC A47J 31/44; B65D 35/28
See application file for complete search history.

(56) **References Cited**

U.S. PATENT DOCUMENTS

D200,655 S *	3/1965	De Fano	D7/313
3,853,043 A *	12/1974	Stavropoulos	99/306
D282,618 S *	2/1986	McBrien	D7/323
4,577,080 A *	3/1986	Grossman	219/689
D335,421 S *	5/1993	Glassen	D7/309
D345,888 S *	4/1994	Joss et al.	D7/379

5,832,809 A *	11/1998	Gras	99/299
D431,143 S *	9/2000	Sekelsky	D6/601
7,387,063 B2 *	6/2008	Vu et al.	99/306
D632,919 S *	2/2011	Sang-Ho	D7/306
D695,064 S *	12/2013	Seymour et al.	D7/399
D695,065 S *	12/2013	Seymour et al.	D7/399
D723,316 S *	3/2015	Epstein	D7/306
D726,479 S *	4/2015	Andreesen	D7/306
D728,294 S *	5/2015	Huang	D7/305

* cited by examiner

Primary Examiner — Marianne Pandozzi

(74) *Attorney, Agent, or Firm* — Steven W. Webb

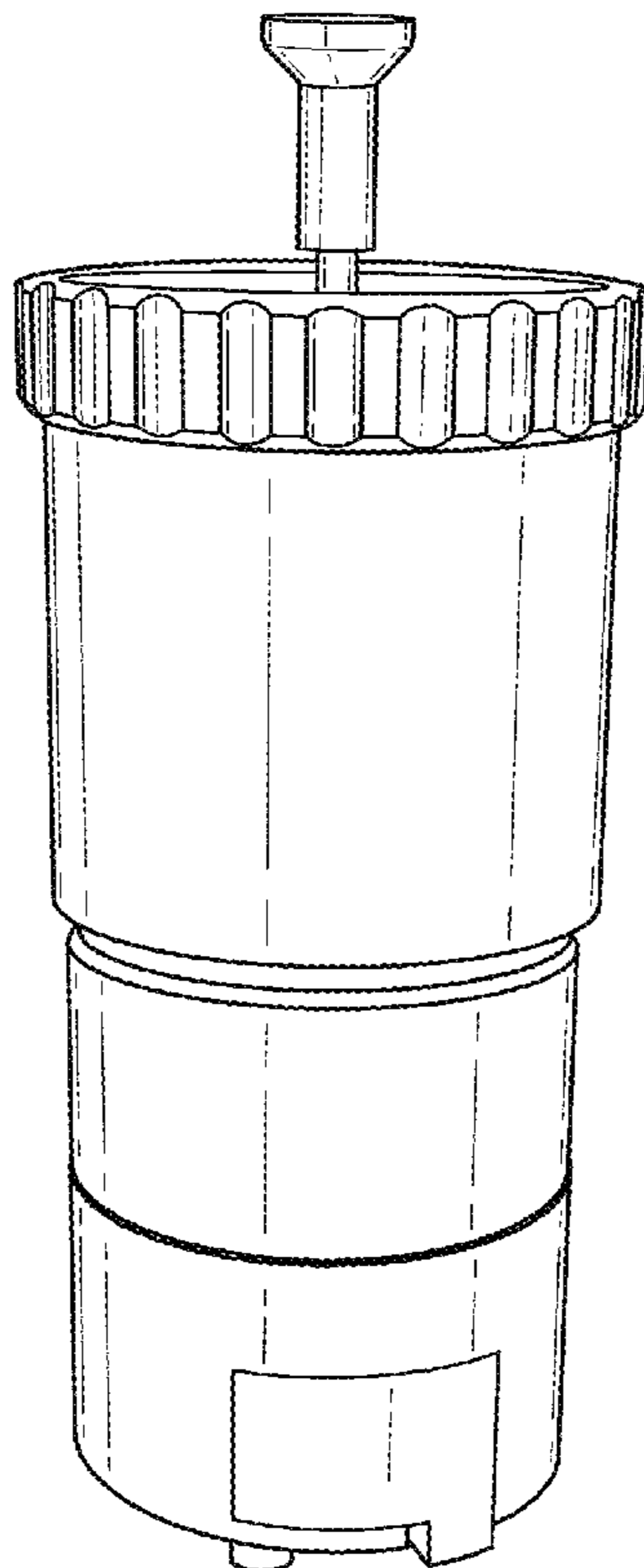
(57) **CLAIM**

The ornamental design for a portable capsule coffee maker, as shown and described.

DESCRIPTION

FIG. 1 is a perspective view of a portable capsule coffee maker showing my new design;
FIG. 2 is a side view thereof;
FIG. 3 is another side view thereof;
FIG. 4 is a top plan view thereof;
FIG. 5 is a bottom plan view thereof; and,
FIG. 6 is a perspective view of the portable capsule coffee maker with the legs in open position.

1 Claim, 4 Drawing Sheets



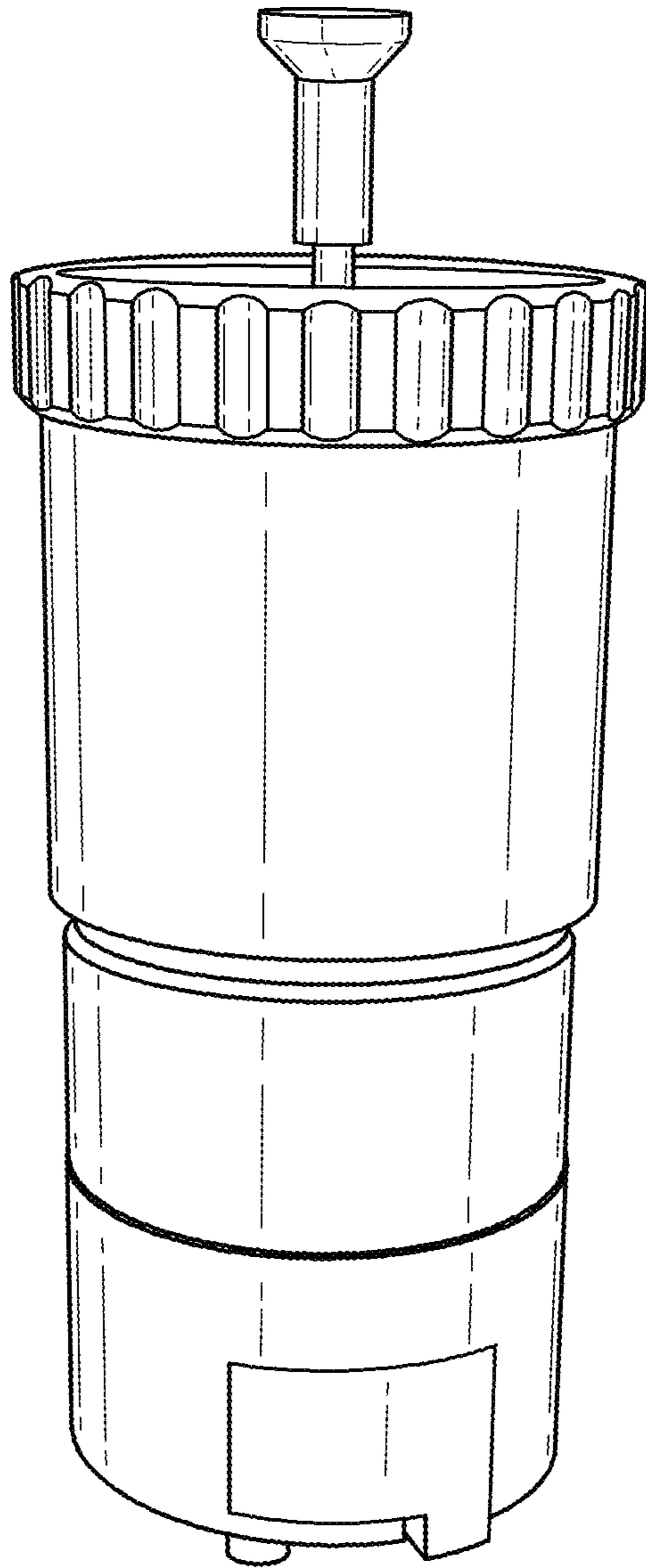


FIG. 1

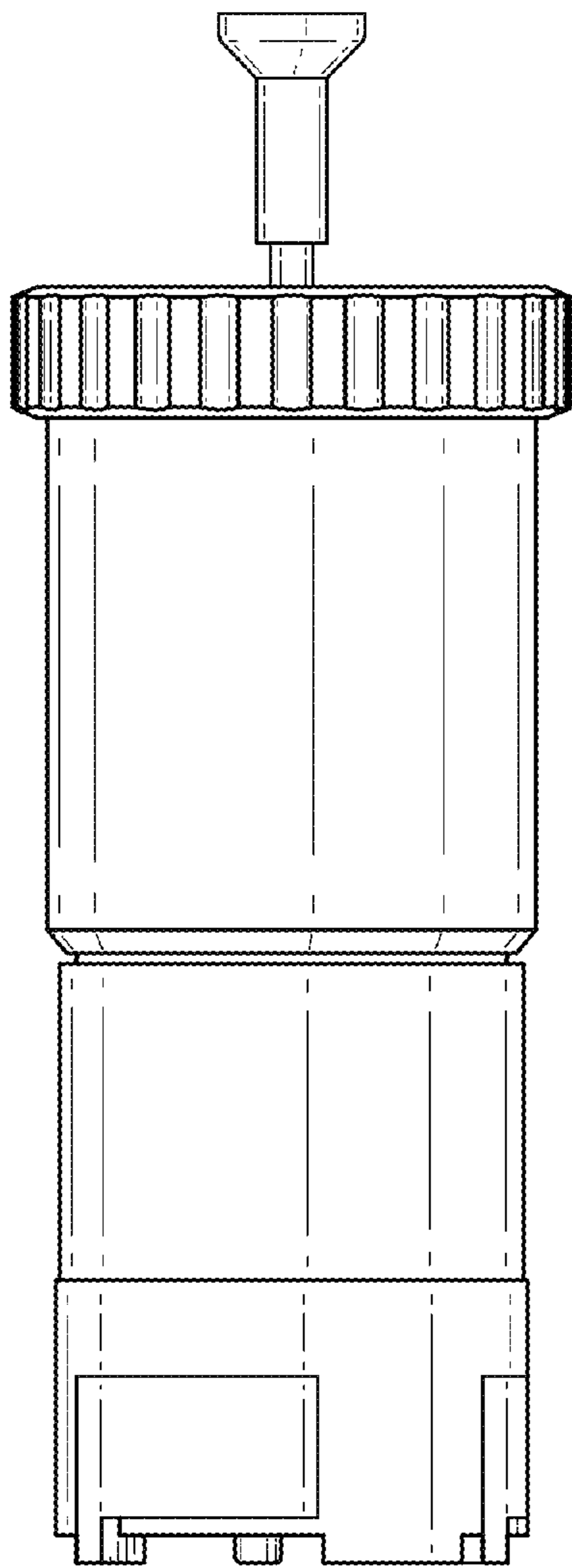


FIG. 2

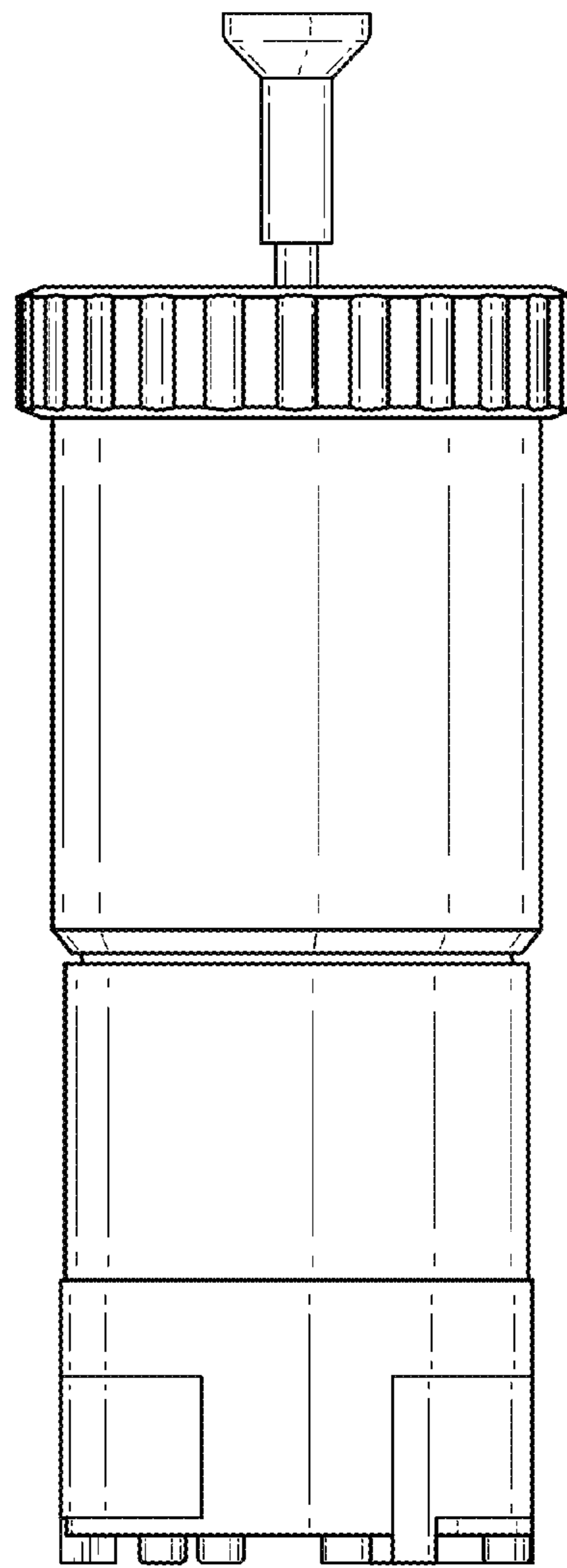


FIG. 3

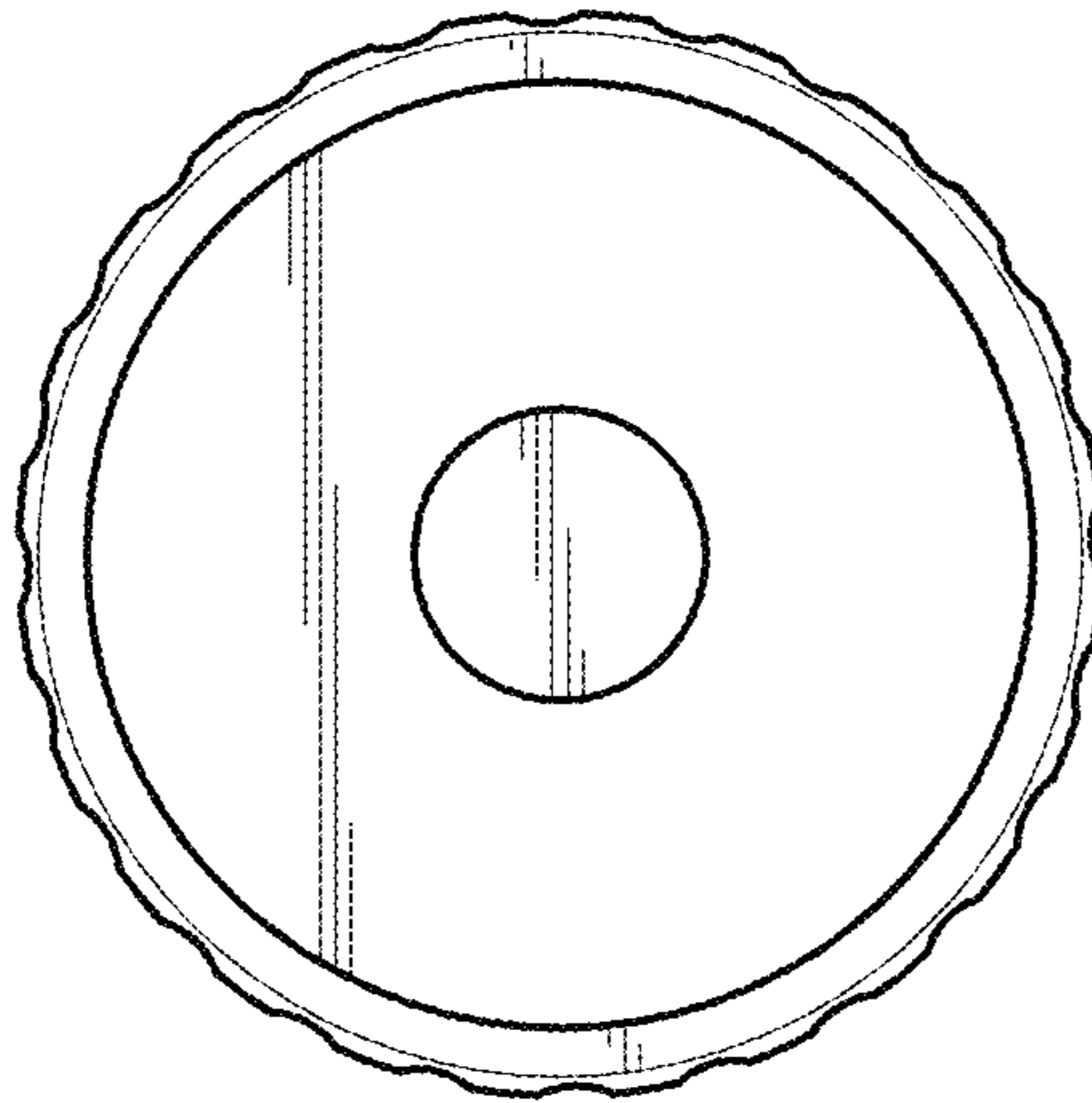


FIG. 4

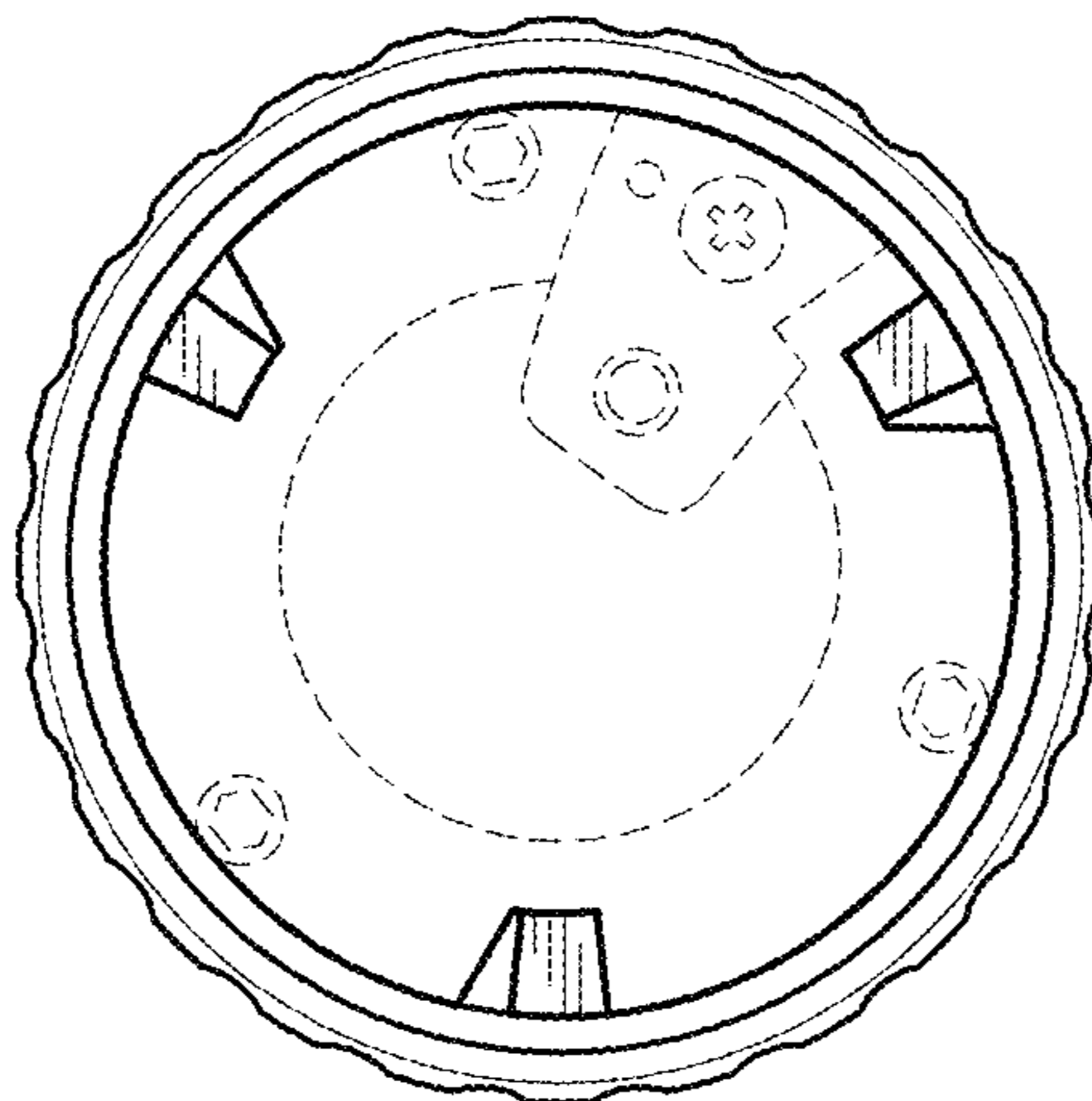


FIG. 5

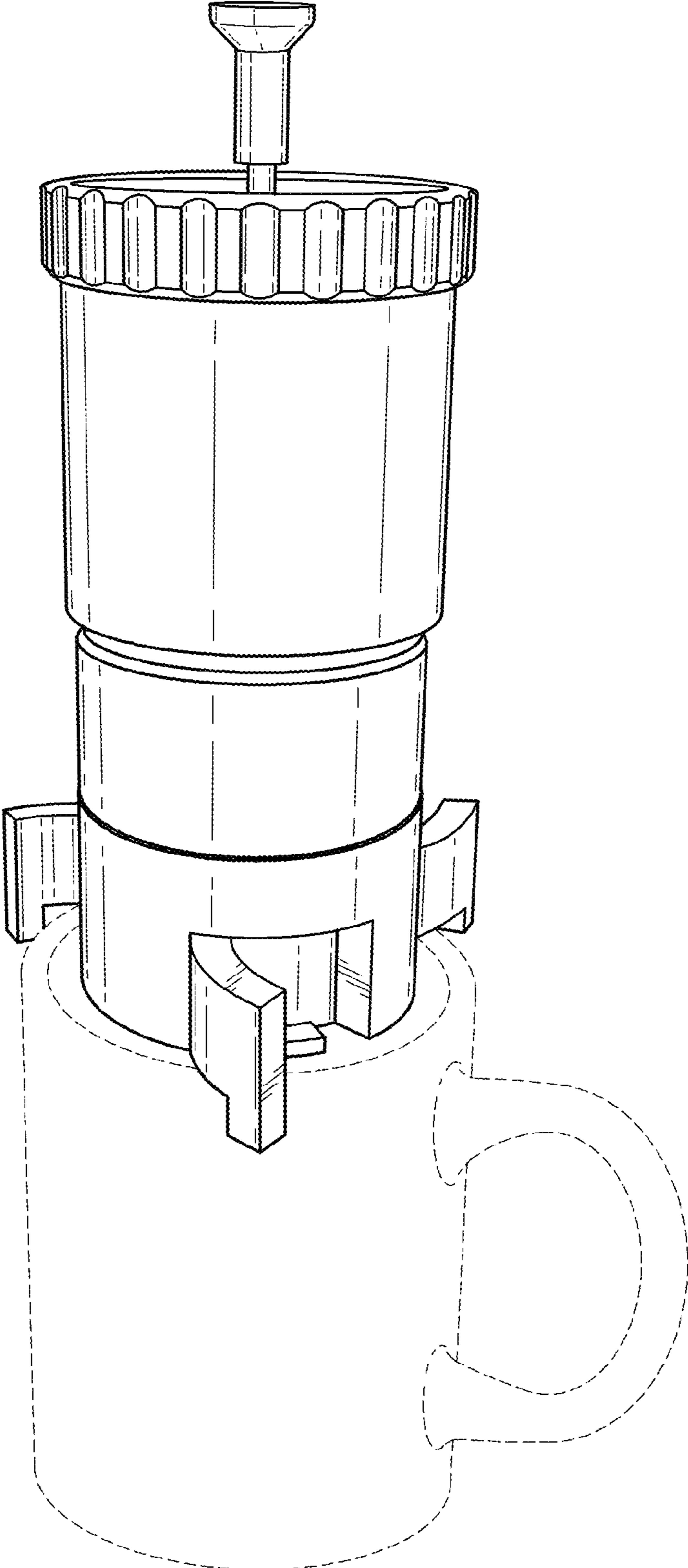


FIG. 6