



US00D750934S

(12) **United States Design Patent**
Kemker et al.

(10) **Patent No.:** **US D750,934 S**
(45) **Date of Patent:** **** Mar. 8, 2016**

(54) **LID FOR A FOOD PREPARATION APPLIANCE**

(71) Applicant: **Vorwerk & Co. Interholding GmbH,**
Wuppertal (DE)

(72) Inventors: **Uwe Kemker,** Wuppertal (DE); **Felix Thies,** Wuppertal (DE)

(73) Assignee: **Vorwerk & Co. Interholding GmbH,**
Wuppertal (DE)

(**) Term: **14 Years**

(21) Appl. No.: **29/501,272**

(22) Filed: **Sep. 3, 2014**

(51) **LOC (10) Cl.** **07-02**

(52) **U.S. Cl.**
USPC **D7/391; D7/376; D7/378; D7/412;**
D7/413

(58) **Field of Classification Search**
USPC **D7/372, 376-386, 412-413, 602, 629,**
D7/665-666, 669, 679, 693-694
CPC **A21C 1/02; A21C 1/04; A23N 1/00;**
A23N 1/02; A47J 43/04; A47J 43/25; A47J
43/27; A47J 43/042; A47J 43/044; A47J
43/046; A47J 43/075; A47J 43/0722; A47J
43/0727; B01F 3/00; B01F 3/0807; B01F
3/0853; B01F 13/0059; B01F 13/0064;
B02C 1/08; B02C 2/04; B02C 4/42; B02C
4/142; B02C 4/143; B02C 4/423; B02C
13/185; B28C 5/10; B28C 5/12; B28C 5/14;
B28C 5/16

See application file for complete search history.

(56) **References Cited**

U.S. PATENT DOCUMENTS

D386,357 S *	11/1997	Davidson	D7/413
D404,247 S *	1/1999	Spagnolo	D7/378
D499,606 S *	12/2004	Feil	D7/413
D532,251 S *	11/2006	Kassenaar	D7/378
D537,674 S *	3/2007	Davenport	D7/378
D543,072 S *	5/2007	Ting	D7/378
D553,426 S *	10/2007	Lin	D7/378
D563,164 S *	3/2008	Sands	D7/413
D568,096 S *	5/2008	Sun	D7/378
D617,136 S *	6/2010	Bock	D7/378
D645,301 S *	9/2011	Tse	D7/376
D659,469 S *	5/2012	Hoare	D7/376
D738,685 S *	9/2015	Sands	D7/376

* cited by examiner

Primary Examiner — Ricky Pham

(74) *Attorney, Agent, or Firm* — Collard & Roe, P.C.

(57) **CLAIM**

The ornamental design for a lid for a food preparation appliance, as shown and described.

DESCRIPTION

FIG. 1 is a rear view of a lid for a food preparation appliance showing our new design;
FIG. 2 is a first side view thereof;
FIG. 3 is a front view thereof;
FIG. 4 is a second side view thereof, opposite the first side view shown in FIG. 2;
FIG. 5 is a top view thereof;
FIG. 6 is a bottom view thereof; and,
FIG. 7 is a rear, side and top perspective view thereof.

1 Claim, 3 Drawing Sheets

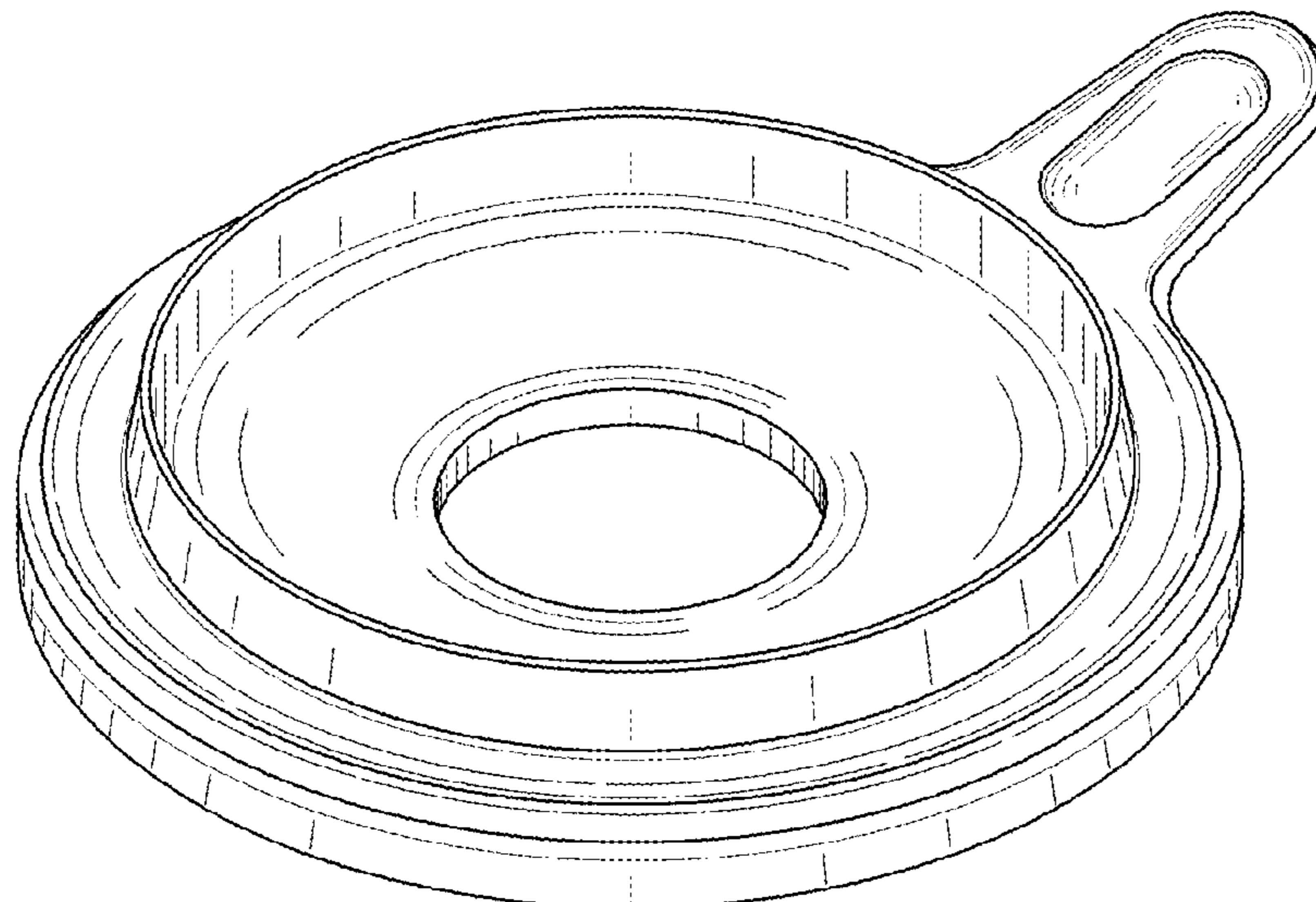


Fig. 1

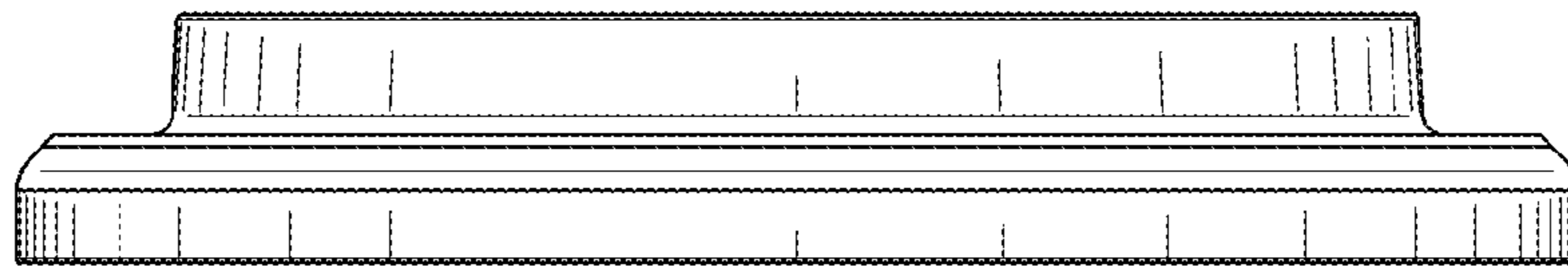


Fig. 2

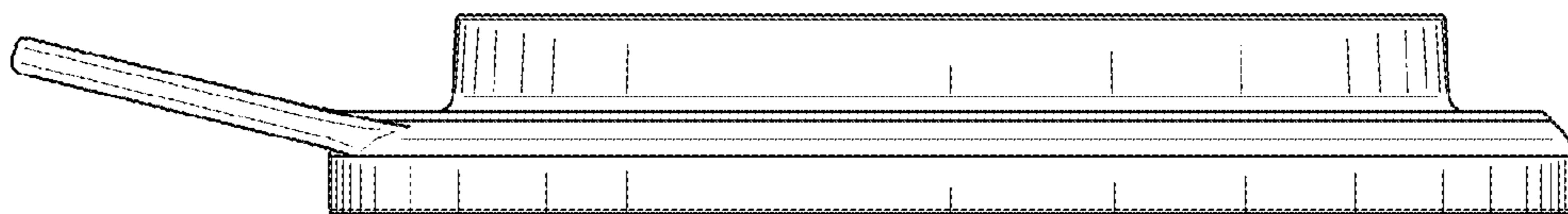


Fig. 3

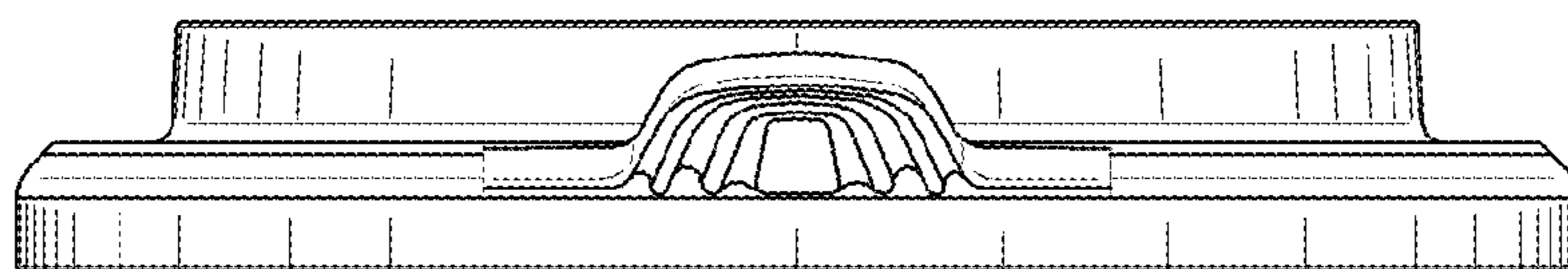


Fig. 4

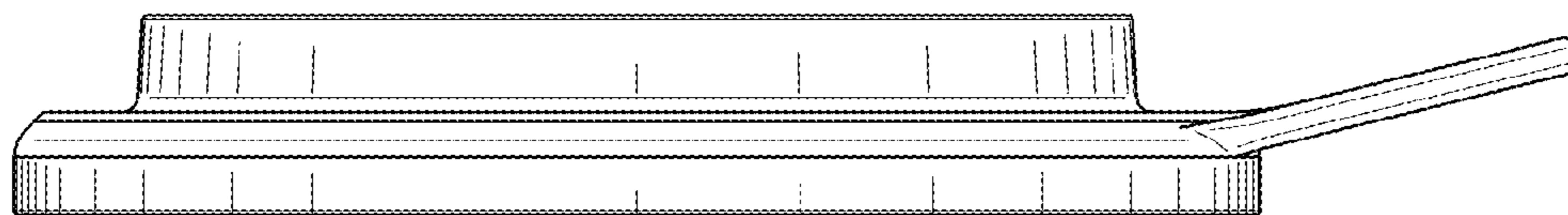


Fig. 5

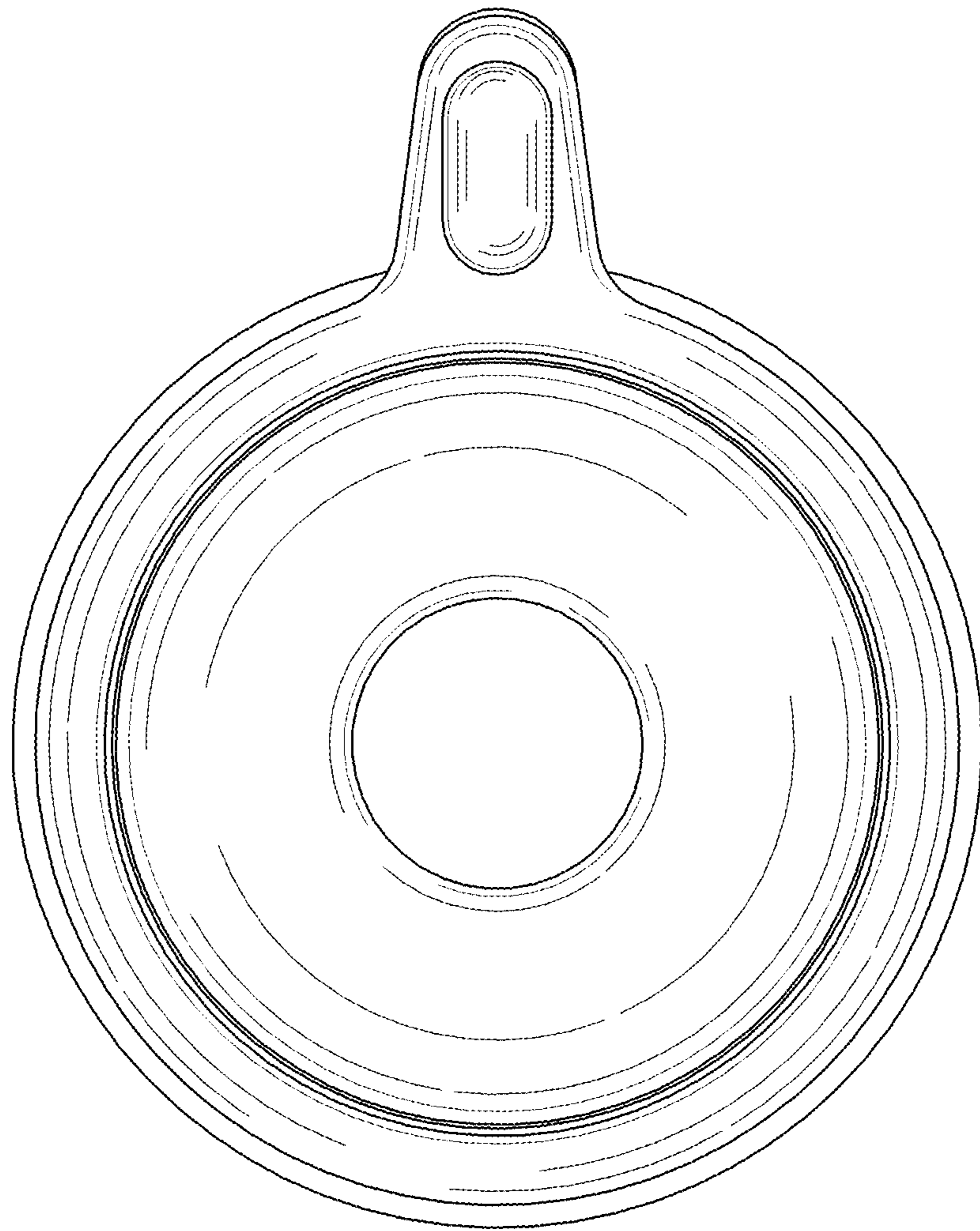


Fig. 6

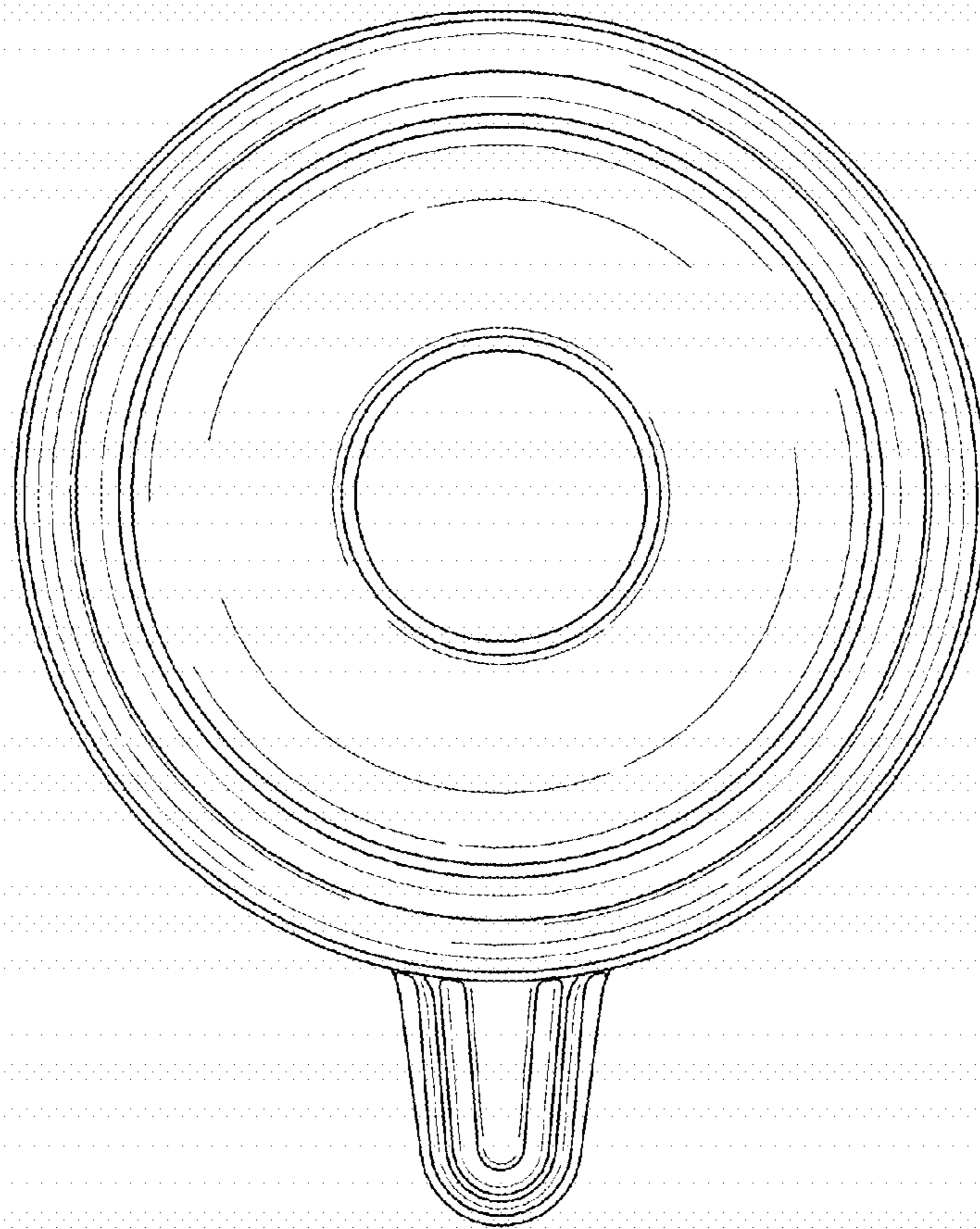


Fig. 7

