



US00D750932S

(12) **United States Design Patent**  
**Laskowski et al.**

(10) **Patent No.:** **US D750,932 S**  
(45) **Date of Patent:** **\*\* Mar. 8, 2016**

- (54) **PORTION OF A FOOD GRINDER**
- (71) Applicants: **Michael Laskowski**, Pittsburgh, PA (US); **Jeremy Donald O'Halloran**, Pittsburgh, PA (US); **Tiffany Chen**, New York, NY (US)
- (72) Inventors: **Michael Laskowski**, Pittsburgh, PA (US); **Jeremy Donald O'Halloran**, Pittsburgh, PA (US); **Tiffany Chen**, New York, NY (US)
- (73) Assignee: **HELEN OF TROY LIMITED**, St. Michael (BB)
- (\*\*) Term: **14 Years**
- (21) Appl. No.: **29/508,649**
- (22) Filed: **Nov. 8, 2014**
- (51) **LOC (10) Cl.** ..... **07-04**
- (52) **U.S. Cl.**  
USPC ..... **D7/372; D7/679**
- (58) **Field of Classification Search**  
USPC ..... D7/679, 372, 373, 374, 383, 384, D7/590-597, 605-608, 619.1-625  
CPC ..... A47J 43/255; A47J 43/06; A47J 42/26; A47J 42/08; A47J 42/38; A47J 42/04; A47J 42/46; A47J 42/18; B02C 18/16; B02C 18/24; B02C 18/08  
See application file for complete search history.

2,896,683	A *	7/1959	Bowland	.....	A47J 43/255
					241/89.4
5,156,084	A *	10/1992	Lin	.....	A47J 43/06
					210/380.1
5,271,317	A *	12/1993	Aguerrevere	.....	B26D 3/185
					83/404.3
5,702,061	A *	12/1997	Kennedy	.....	A47J 43/255
					241/273.3
D397,919	S *	9/1998	Chiu	.....	D7/679
D415,938	S *	11/1999	Blaise	.....	D7/678
6,446,891	B1 *	9/2002	Leung	.....	A47J 42/26
					241/169.1
6,508,424	B1 *	1/2003	Marshall	.....	A61J 7/0007
					241/169.1
D482,927	S *	12/2003	Morris	.....	D7/373
2005/0040265	A1 *	2/2005	Pai	.....	A47J 43/255
					241/169.1
2013/0026269	A1 *	1/2013	Pai	.....	A47J 42/40
					241/169.1
2014/0014751	A1 *	1/2014	Sampaio	.....	A47J 43/255
					241/93

\* cited by examiner

Primary Examiner — Terry Wallace

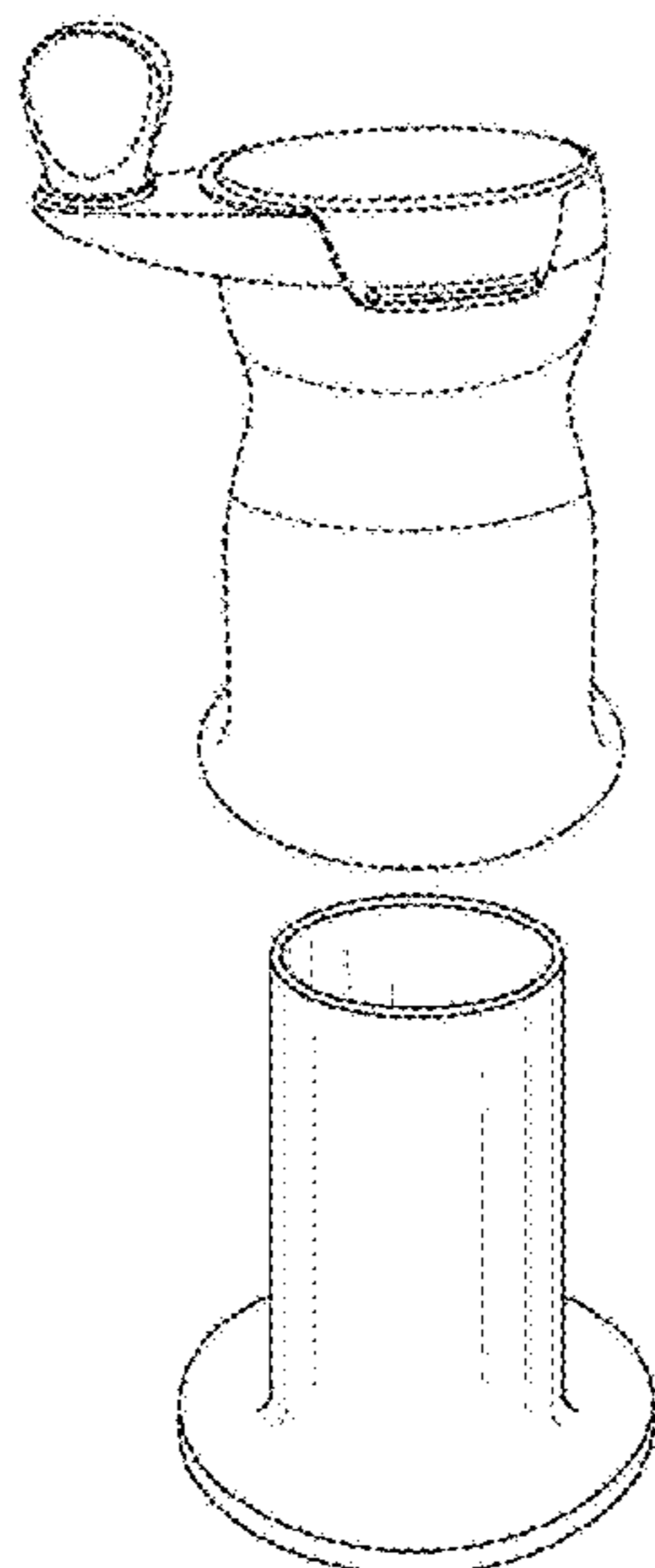
(57) **CLAIM**  
The ornamental design for a portion of a food grinder, as shown, and described.

**DESCRIPTION**

FIG. 1 is a right side view of the portion of a food grinder; FIG. 2 is a left side view of the portion of a food grinder; FIG. 3 is a front view of the portion of a food grinder; FIG. 4 is a rear view of the portion of a food grinder; FIG. 5 is a top view of the portion of a food grinder; FIG. 6 is a bottom view of the portion of a food grinder; and, FIG. 7 is a perspective view of the portion of a food grinder. The broken lines are for illustrative purposes only and form no part of the claimed design.

**1 Claim, 7 Drawing Sheets**

- (56) **References Cited**  
U.S. PATENT DOCUMENTS  
2,842,176 A \* 7/1958 Bowland ..... A47J 43/255  
241/100  
D183,596 S \* 9/1958 Bowland ..... D7/372



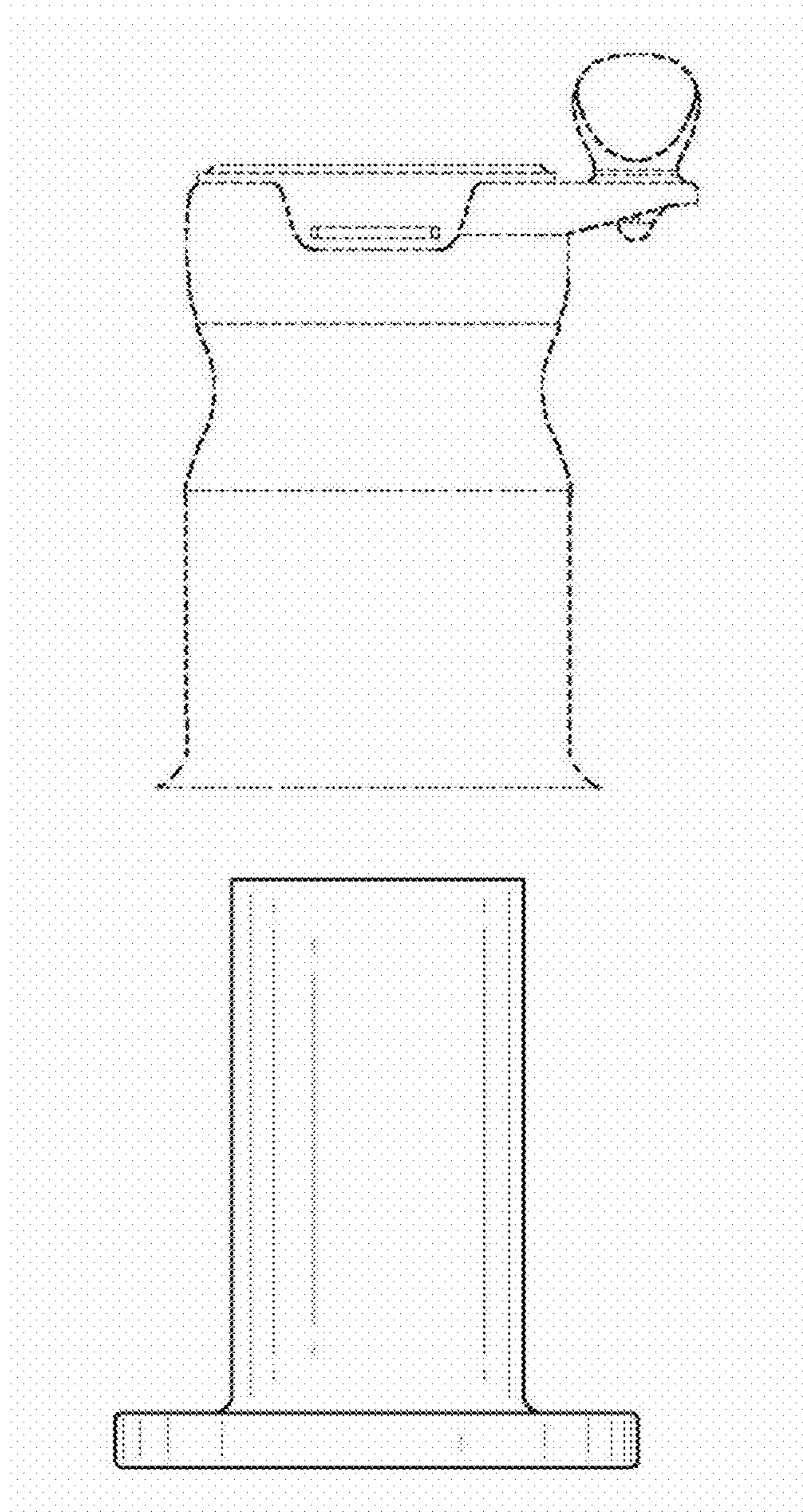


Figure 1

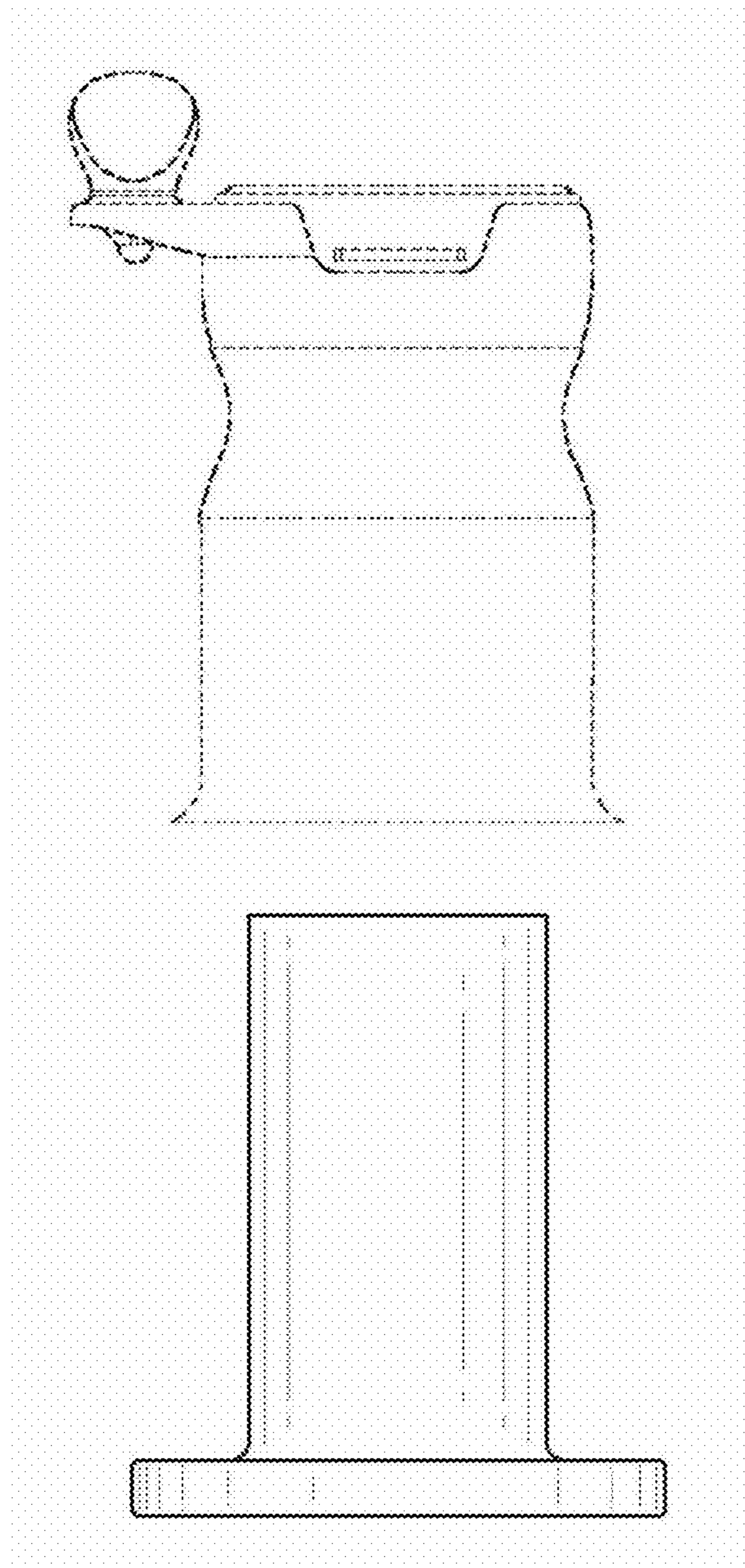


Figure 2

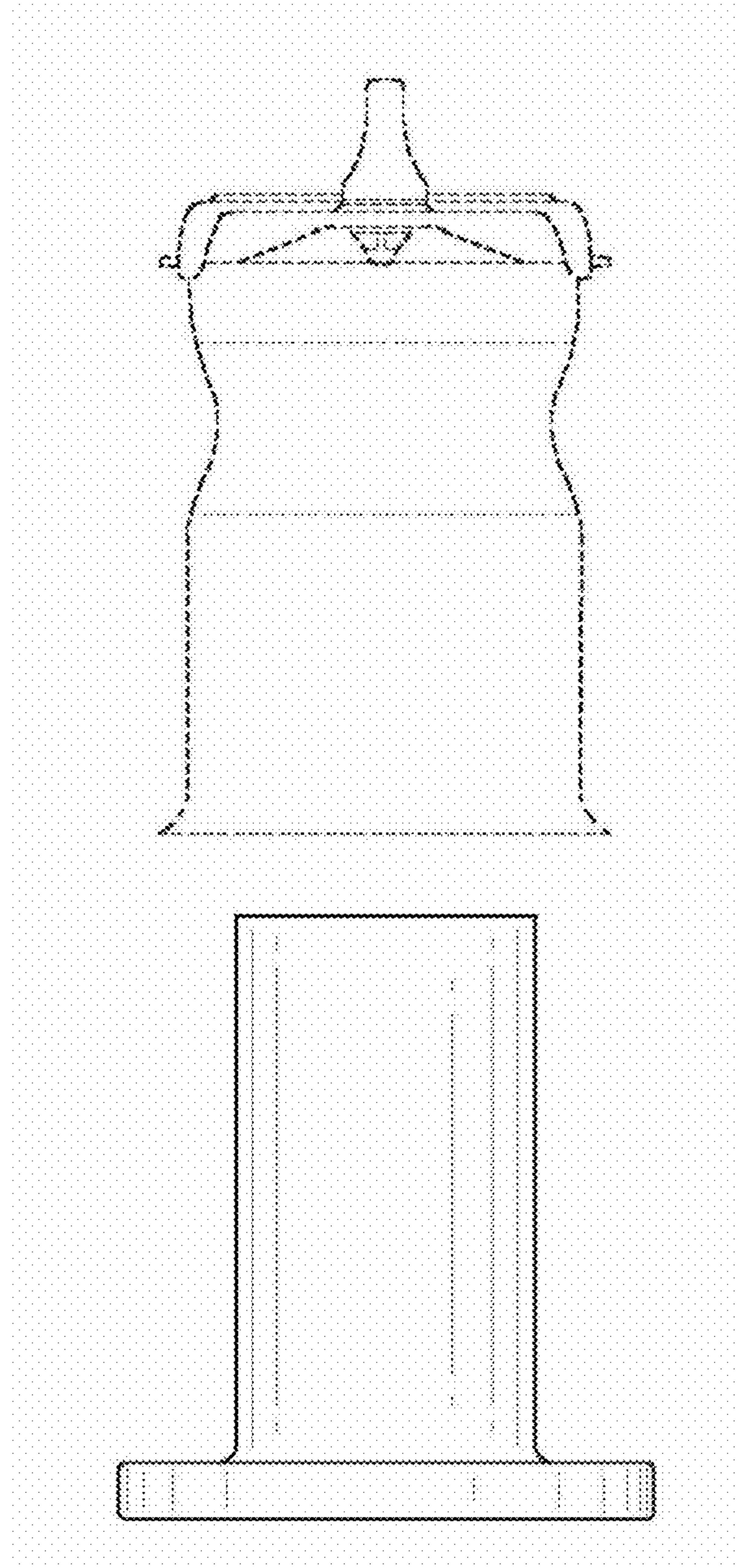


Figure 3

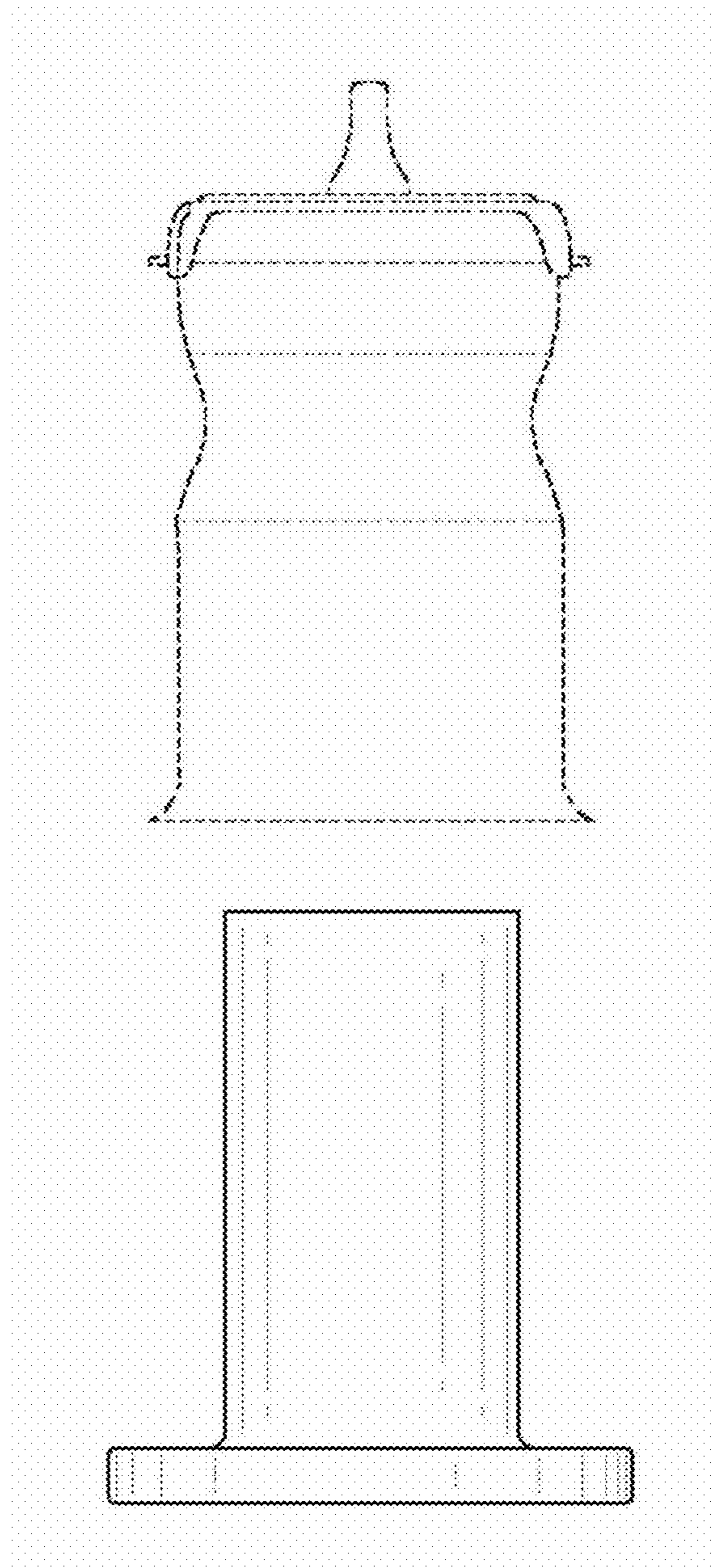


Figure 4

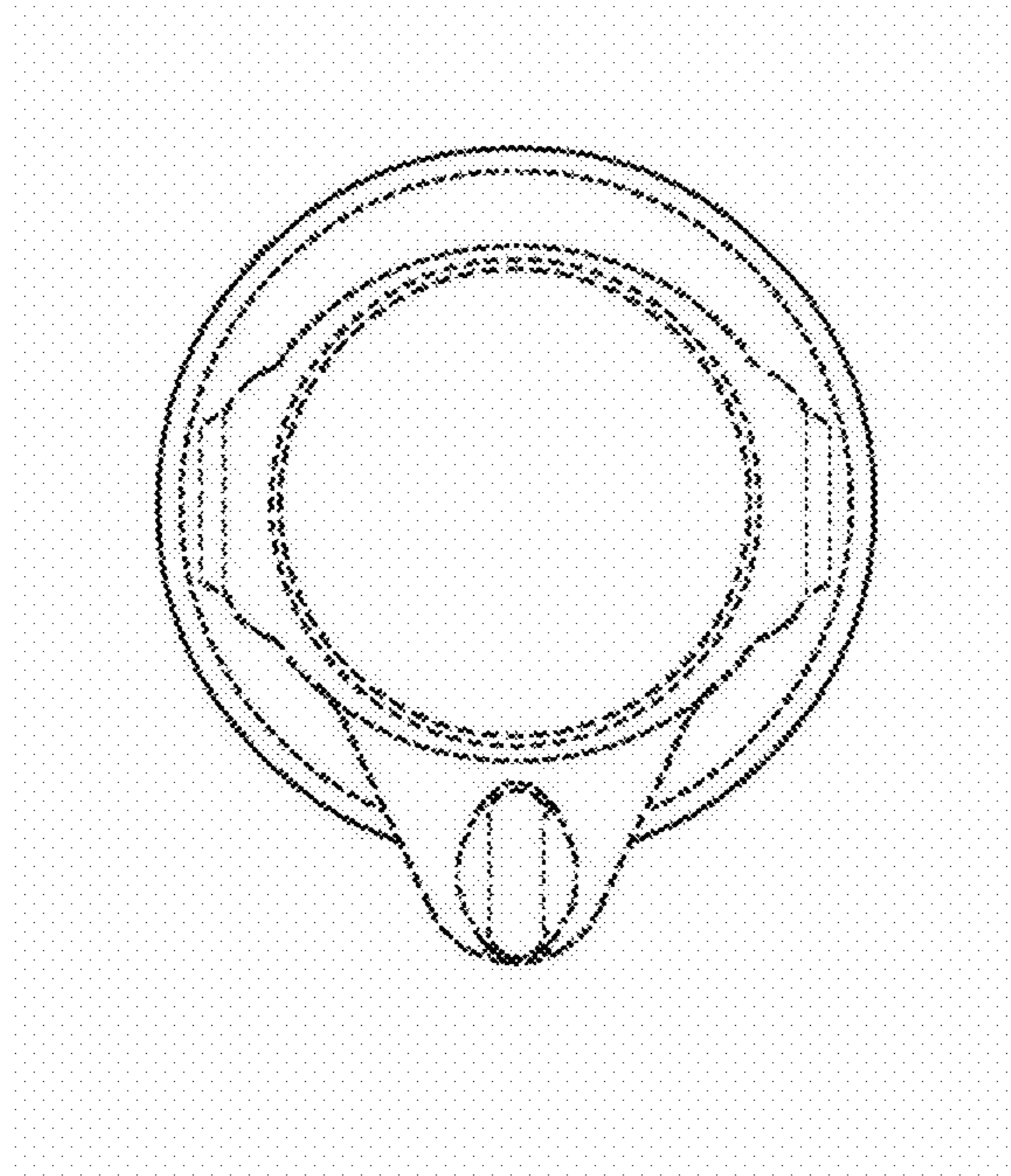


Figure 5

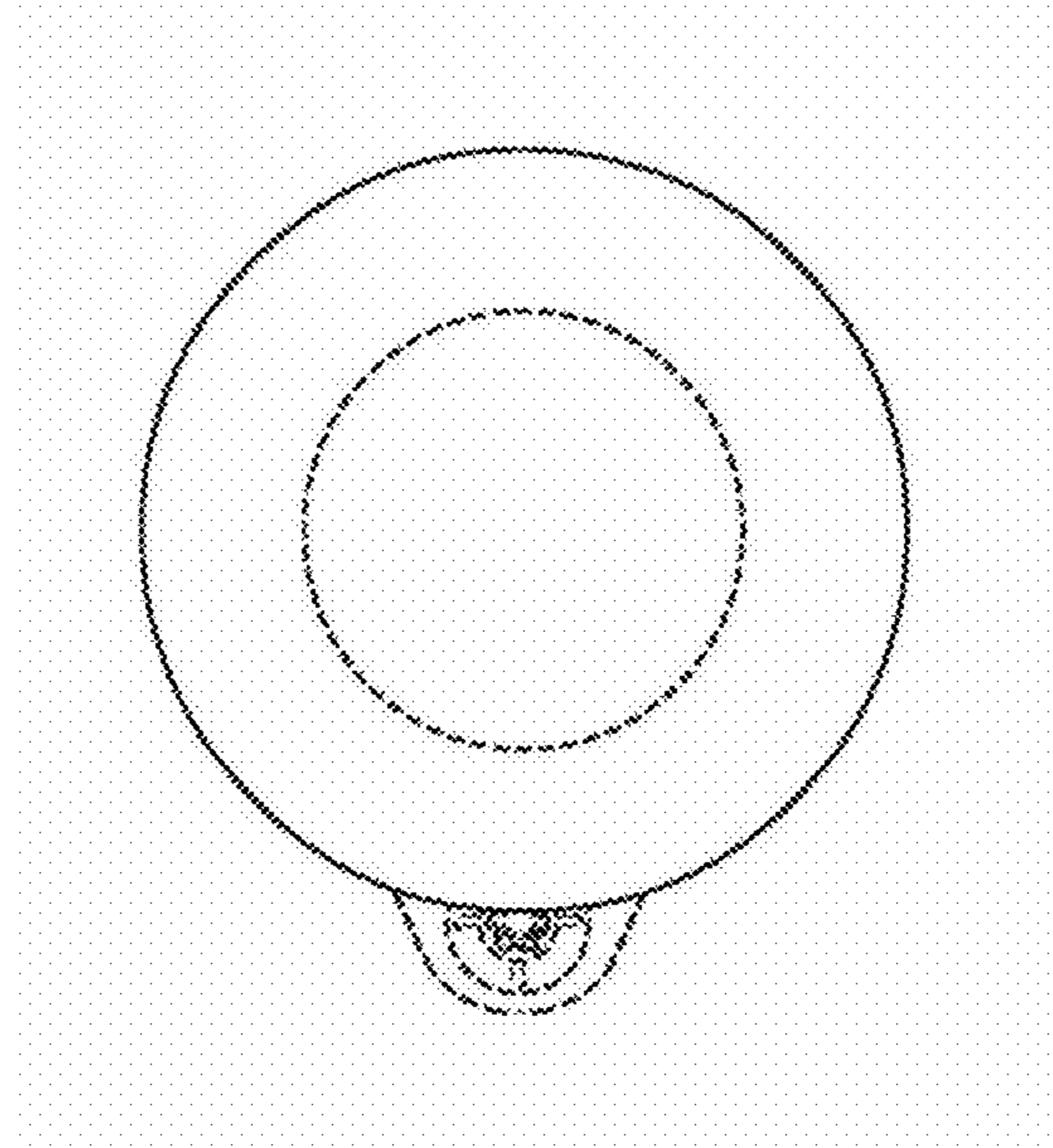


Figure 6

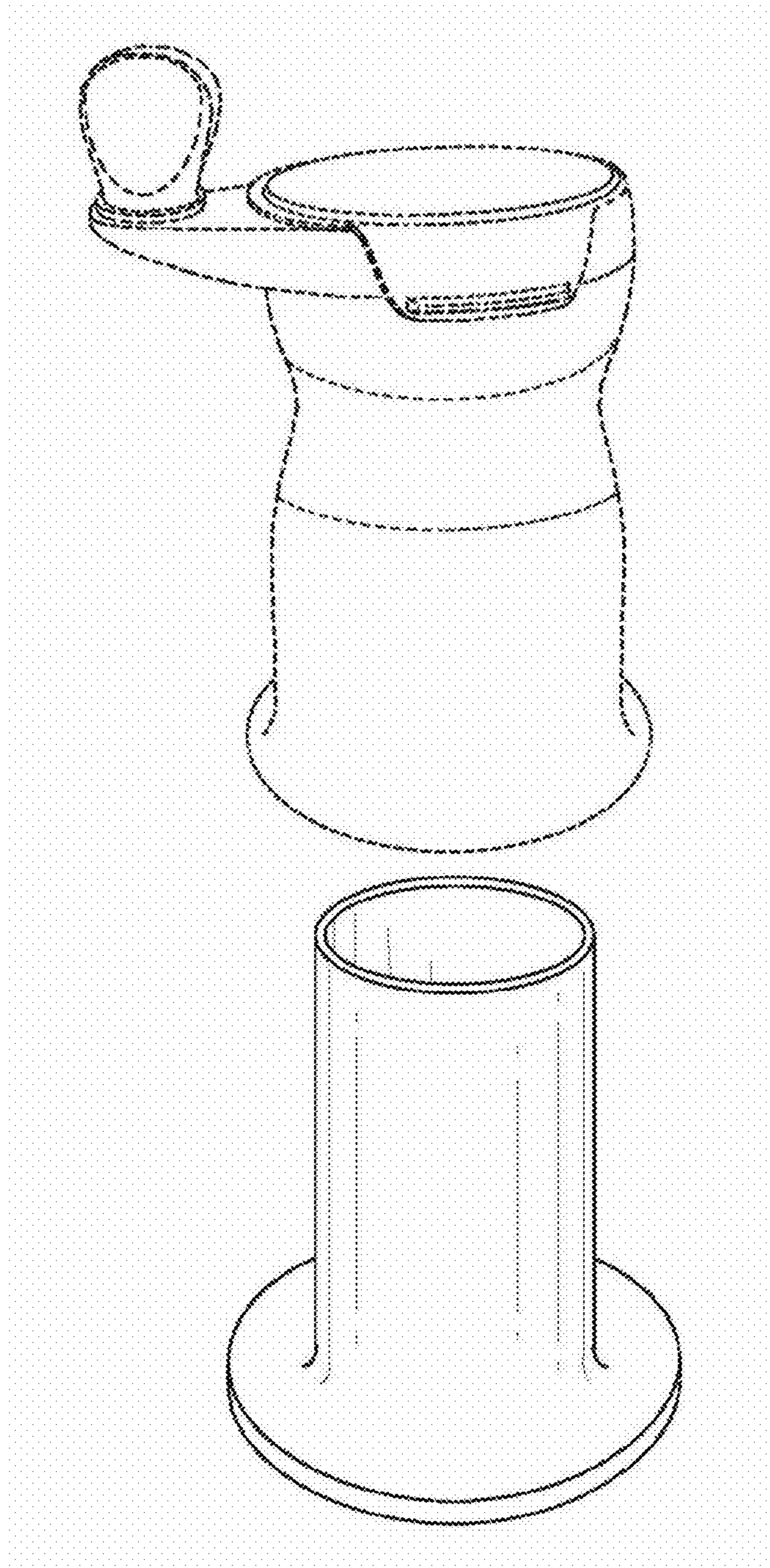


Figure 7