



US00D750930S

(12) **United States Design Patent**  
**Boen**

(10) **Patent No.:** **US D750,930 S**  
(45) **Date of Patent:** **\*\* Mar. 8, 2016**

(54) **MUFFIN PAN**  
(71) Applicant: **William C. Boen**, Lincoln, CA (US)  
(72) Inventor: **William C. Boen**, Lincoln, CA (US)  
(\*\*) Term: **14 Years**  
(21) Appl. No.: **29/474,534**  
(22) Filed: **Oct. 20, 2014**  
(51) **LOC (10) Cl.** ..... **07-02**  
(52) **U.S. Cl.**  
USPC ..... **D7/357**; D7/354  
(58) **Field of Classification Search**  
USPC ..... D7/323, 354-361, 501, 543, 545, 549,  
D7/550.1, 553.1-553.8, 554.1-554.4, 555,  
D7/584, 586, 600, 611; D9/430-433,  
D9/455-456, 737, 756-762  
CPC ..... A21B 3/00; A21B 3/13; A21B 3/15;  
A21B 3/134; A21B 5/00; A21B 5/02; A47J  
36/022; A47J 36/025; A47J 36/027; A47J  
37/00; A47J 37/04; A47J 37/108; B65D 1/22;  
B65D 1/24; B65D 1/34; B65D 1/36; B65D  
81/343; B65D 75/323; B65D 85/36  
See application file for complete search history.

(56) **References Cited**  
**U.S. PATENT DOCUMENTS**  
1,350,651 A \* 8/1920 Hirst ..... A47J 37/108  
249/119  
D193,308 S \* 7/1962 Jackson ..... D7/501

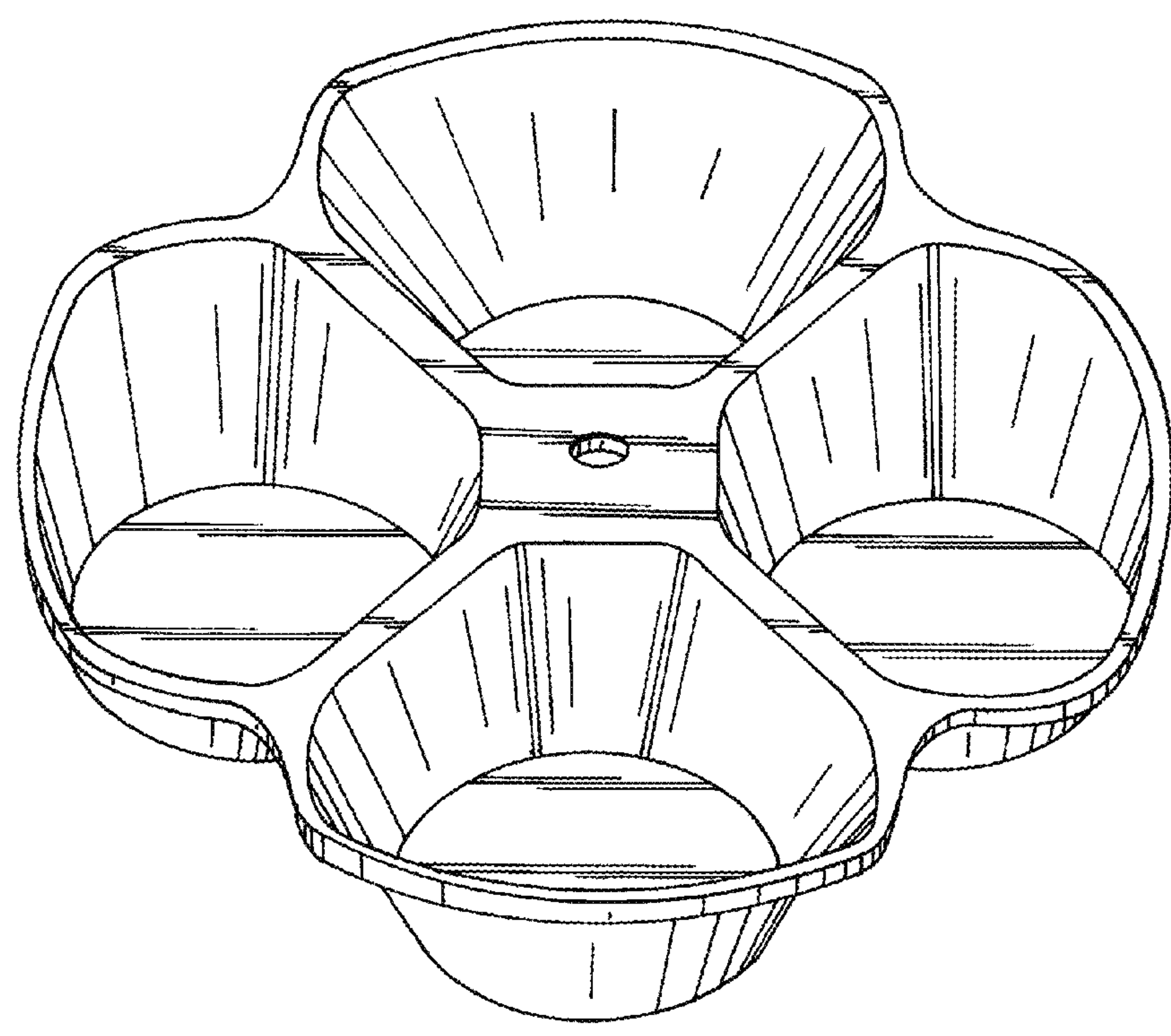
3,311,225 A \* 3/1967 Kidd ..... B65D 75/323  
211/14  
D208,648 S \* 9/1967 Warner ..... D7/611  
D246,085 S \* 10/1977 Nicholas ..... D7/600  
D347,355 S \* 5/1994 Naft ..... D7/357  
D381,554 S \* 7/1997 Tichenor ..... D7/354  
D400,402 S \* 11/1998 Petkovich, Jr. .... D7/505  
D506,638 S \* 6/2005 Claypool ..... D7/357  
D543,413 S \* 5/2007 Henry ..... D7/357  
D569,678 S \* 5/2008 Lion ..... D7/357  
D577,950 S \* 10/2008 Courington ..... D7/357  
D676,714 S \* 2/2013 Chen ..... D7/600

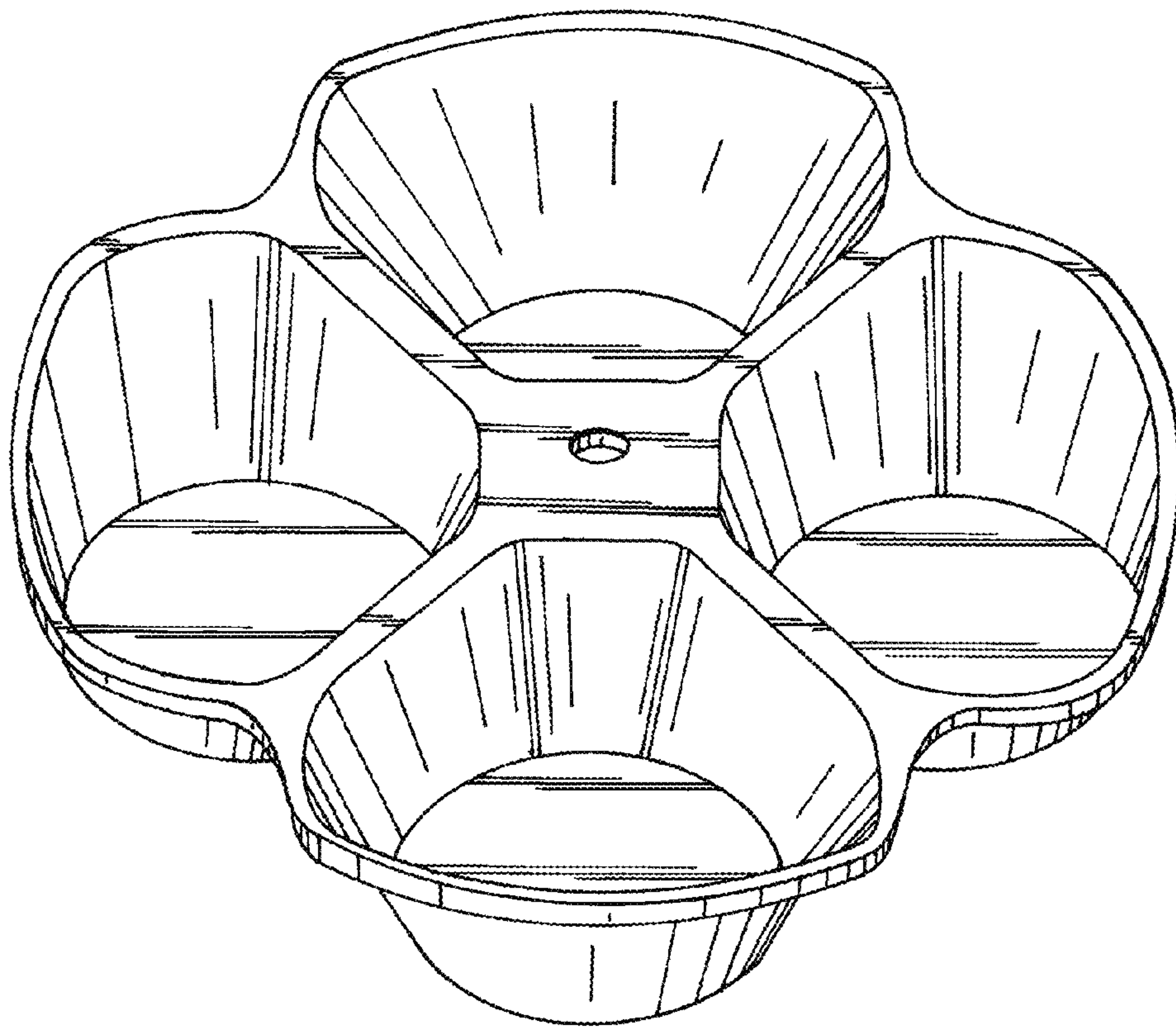
\* cited by examiner  
*Primary Examiner* — Ricky Pham  
(74) *Attorney, Agent, or Firm* — James A. Hudak

(57) **CLAIM**  
I claim the ornamental design of a muffin pan, as shown and described.

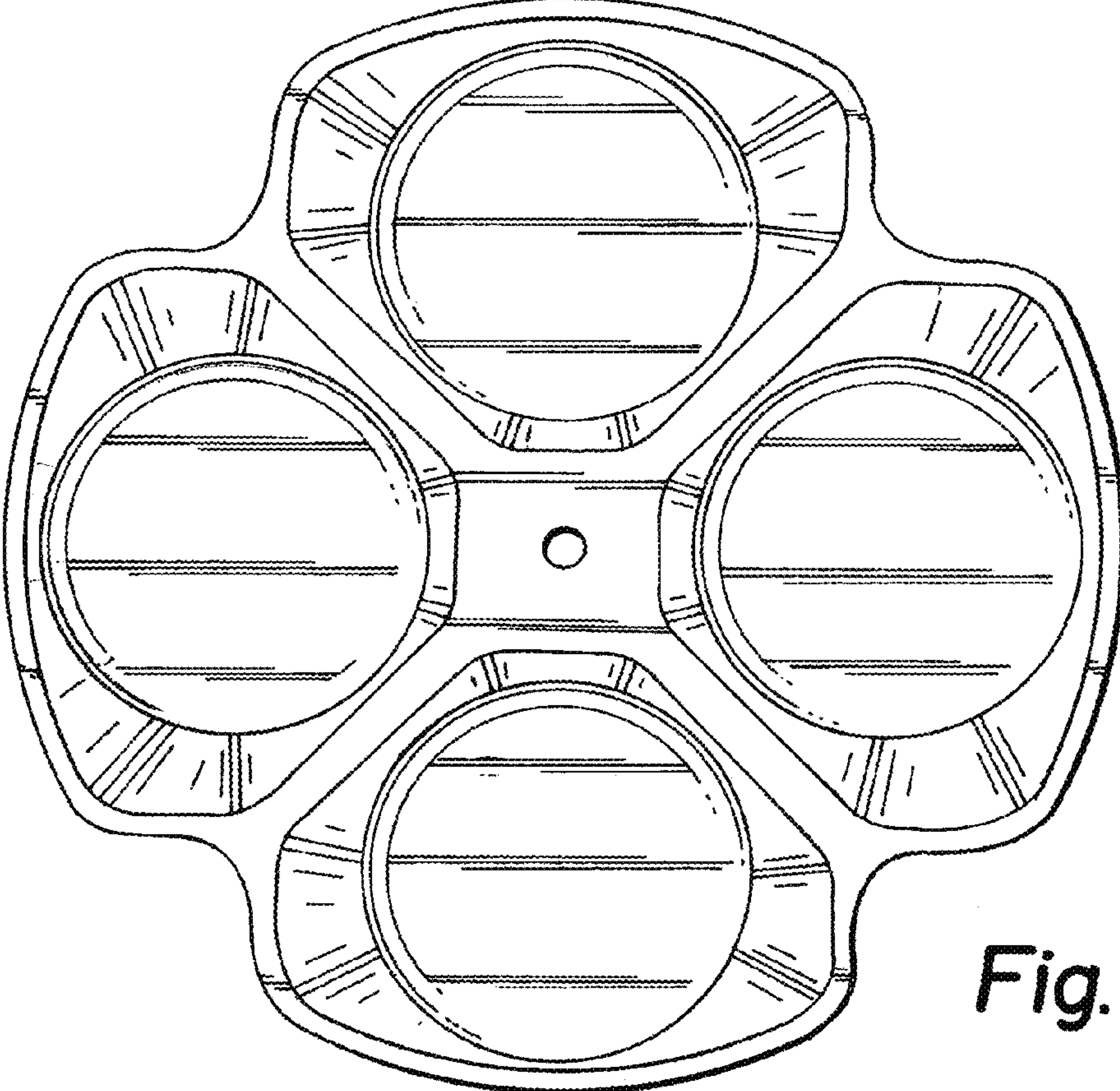
**DESCRIPTION**  
FIG. 1 is a perspective view of the muffin pan, showing my new design;  
FIG. 2 is a top plan view thereof;  
FIG. 3 is a front elevational view thereof, the rear elevational view, the right side elevational view, and left side elevational view being the same; and,  
FIG. 4 is a bottom plan view thereof.

**1 Claim, 3 Drawing Sheets**

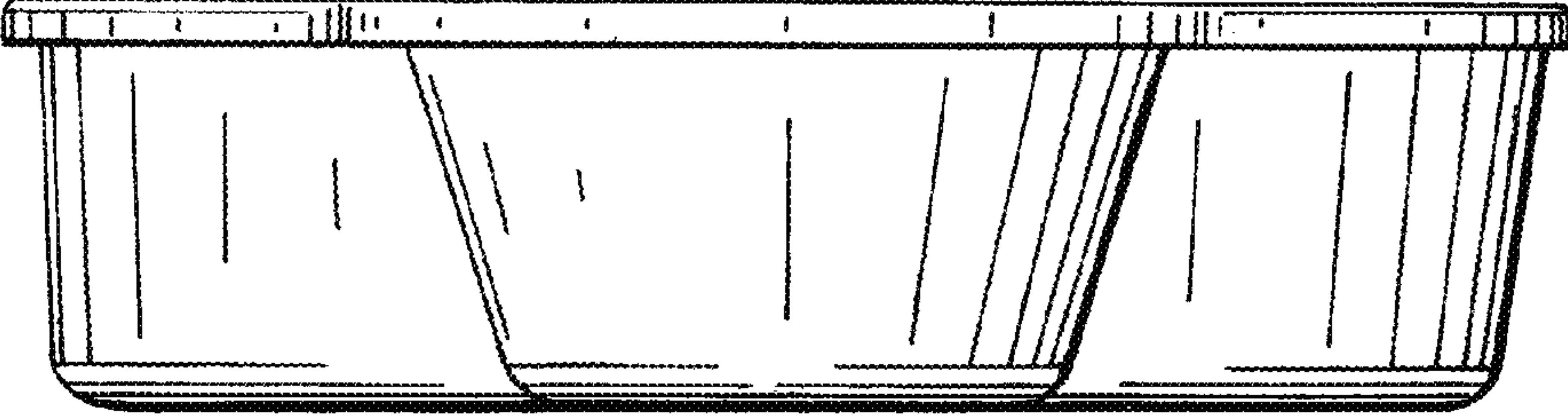




*Fig. 1*

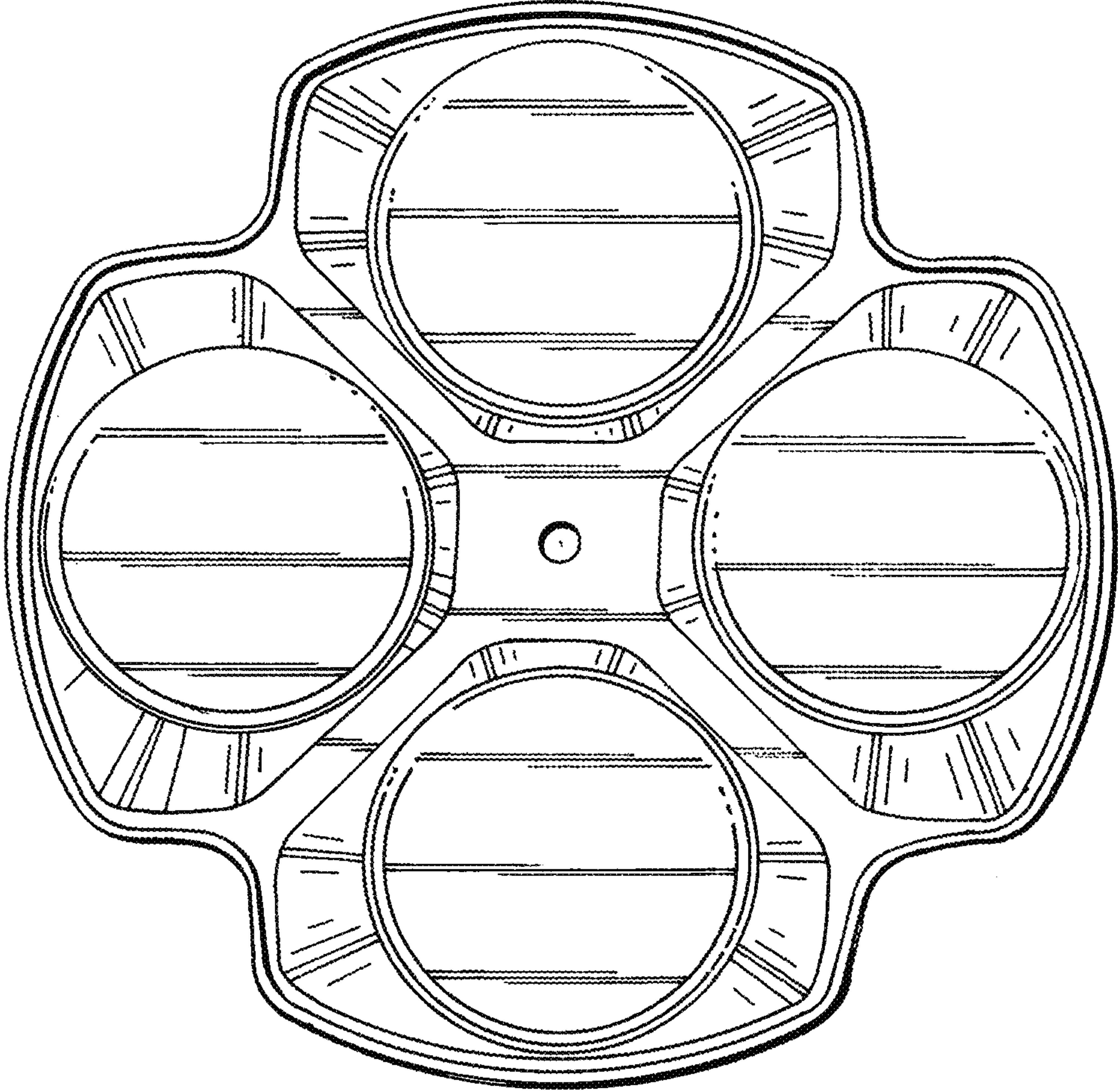


*Fig. 2*



*Fig. 3*





*Fig. 4*