



US00D750925S

(12) **United States Design Patent**  
**Van Huystee et al.**

(10) **Patent No.:** **US D750,925 S**  
(45) **Date of Patent:** **\*\* Mar. 8, 2016**

(54) **MOUNT FOR AN INFANT RECEIVING DEVICE**

7,883,426 B2 2/2011 Bellows et al.  
7,938,731 B2 \* 5/2011 Papageorge ..... A47D 13/10  
297/250.1

(71) Applicant: **Mattel, Inc.**, El Segundo, CA (US)

D641,984 S 7/2011 Chen  
8,029,377 B2 10/2011 Velderman et al.

(72) Inventors: **Maarten Van Huystee**, Lancaster, NY (US); **Kevin Crane**, Orchard Park, NY (US)

D660,026 S 5/2012 Shi  
D660,608 S 5/2012 Hasman  
8,197,005 B2 \* 6/2012 Hopke ..... A47D 9/02  
297/260.2  
8,308,578 B2 \* 11/2012 Gilbert ..... A47D 13/105  
297/260.2

(73) Assignee: **Mattel, Inc.**, El Segundo, CA (US)

(Continued)

(\*\*) Term: **14 Years**

FOREIGN PATENT DOCUMENTS

(21) Appl. No.: **29/510,277**

CN 101254056 A 9/2008  
GB 2139881 A 11/1984

(22) Filed: **Nov. 26, 2014**

(51) **LOC (10) Cl.** ..... **06-01**

*Primary Examiner* — Mimoso De

(52) **U.S. Cl.**  
USPC ..... **D6/715**

(74) *Attorney, Agent, or Firm* — Edell, Shapiro & Finnan, LLC

(58) **Field of Classification Search**  
USPC ..... D6/334, 335, 336, 344, 347, 348, 375,  
D6/708.16, 715  
CPC ..... A47D 13/00; A47D 13/10; A47D 13/105;  
A47D 13/107; A47D 9/02  
See application file for complete search history.

(57) **CLAIM**

The ornamental design for a mount for an infant receiving device, as shown and described.

**DESCRIPTION**

(56) **References Cited**

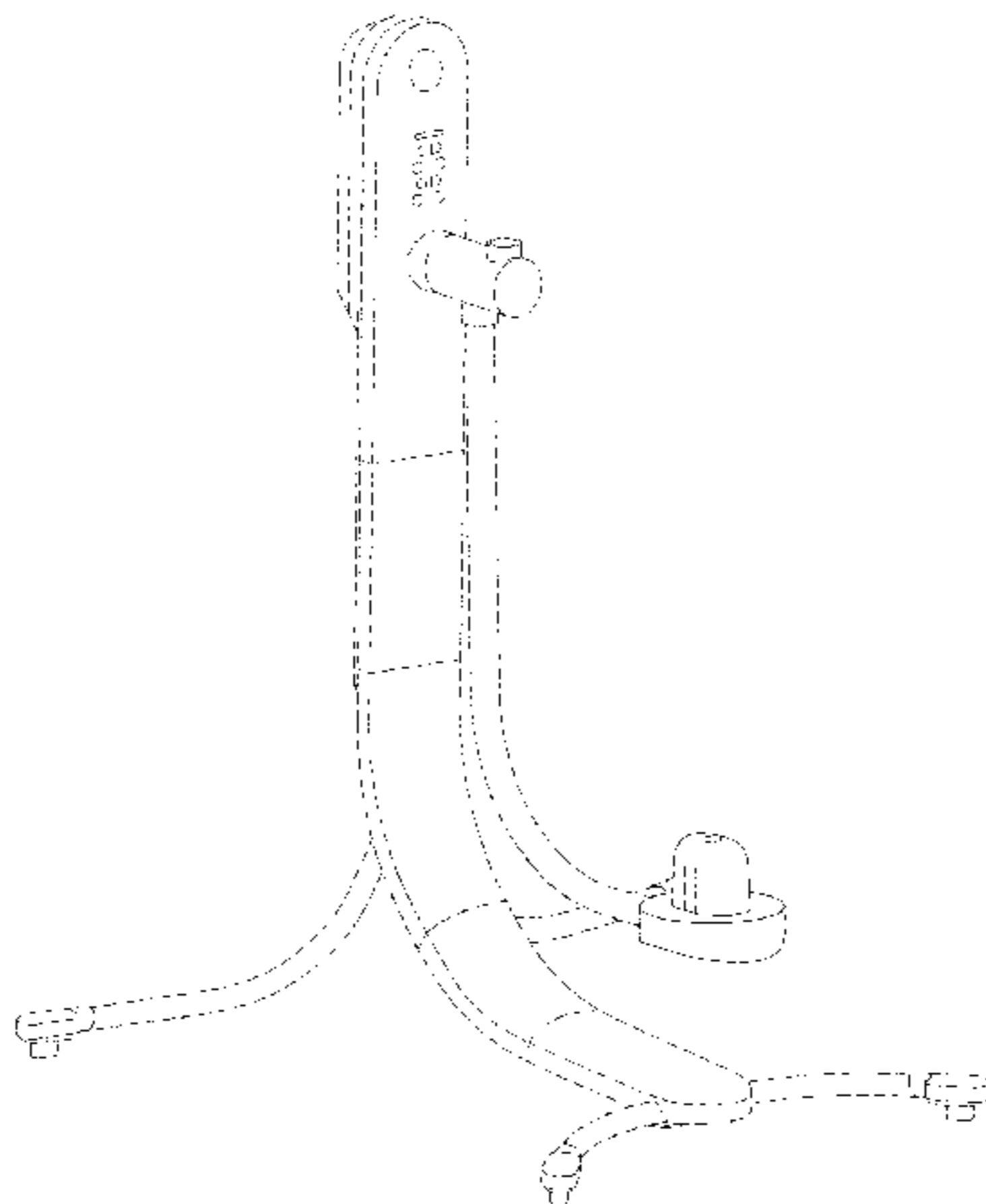
U.S. PATENT DOCUMENTS

D58,163 S 6/1921 Reuther  
3,147,972 A 9/1964 Borsuk  
3,528,657 A 9/1970 Krupsky  
4,550,456 A 11/1985 Allen  
5,564,987 A 10/1996 Ayroles  
6,027,409 A 2/2000 Favorito et al.  
7,329,192 B2 \* 2/2008 Gibree ..... A47D 13/105  
472/119  
7,507,163 B2 3/2009 Haut  
7,563,170 B2 7/2009 Bellows et al.  
7,717,800 B2 5/2010 Pyrcce  
7,727,078 B2 \* 6/2010 Arnold, IV ..... A47D 9/02  
446/227  
7,748,063 B2 7/2010 Chen et al.  
7,770,971 B2 8/2010 Bellows et al.  
7,824,273 B2 11/2010 Clapper et al.  
7,874,927 B2 1/2011 Godiska

FIG. 1 is a front perspective view of a mount for an infant receiving device according to the present invention illustrated on the frame of an infant swing;  
FIG. 2 is rear view of the mount for an infant receiving device of FIG. 1;  
FIG. 3 is a front view of the mount for an infant receiving device of FIG. 1;  
FIG. 4 is a right side view of the mount for an infant receiving device of FIG. 1;  
FIG. 5 is a left side view of the mount for an infant receiving device of FIG. 1;  
FIG. 6 is a top view of the mount for an infant receiving device of FIG. 1; and,  
FIG. 7 is a bottom view of the mount for an infant receiving device of FIG. 1.

The portions shown in phantom are for illustrative purposes only and form no part of the claimed design.

**1 Claim, 7 Drawing Sheets**



(56)

**References Cited**

U.S. PATENT DOCUMENTS

8,313,390 B2	11/2012	Lu						472/119
D680,764 S *	4/2013	Chen .....	D6/344					A47D 13/105
8,407,832 B2	4/2013	Galley						472/118
8,602,903 B2 *	12/2013	Gilbert .....	A47D 13/105					A47D 9/02
								472/119
8,661,582 B2 *	3/2014	Sclare .....	A47D 9/02					D6/708.16
								A47D 9/02
								472/118
8,834,282 B2 *	9/2014	Sclare .....	A47D 9/02					2013/0012329 A1
								1/2013 Burns et al.
								2013/0184088 A1
								7/2013 Haut
								2013/0244803 A1
								9/2013 Haut et al.

\* cited by examiner

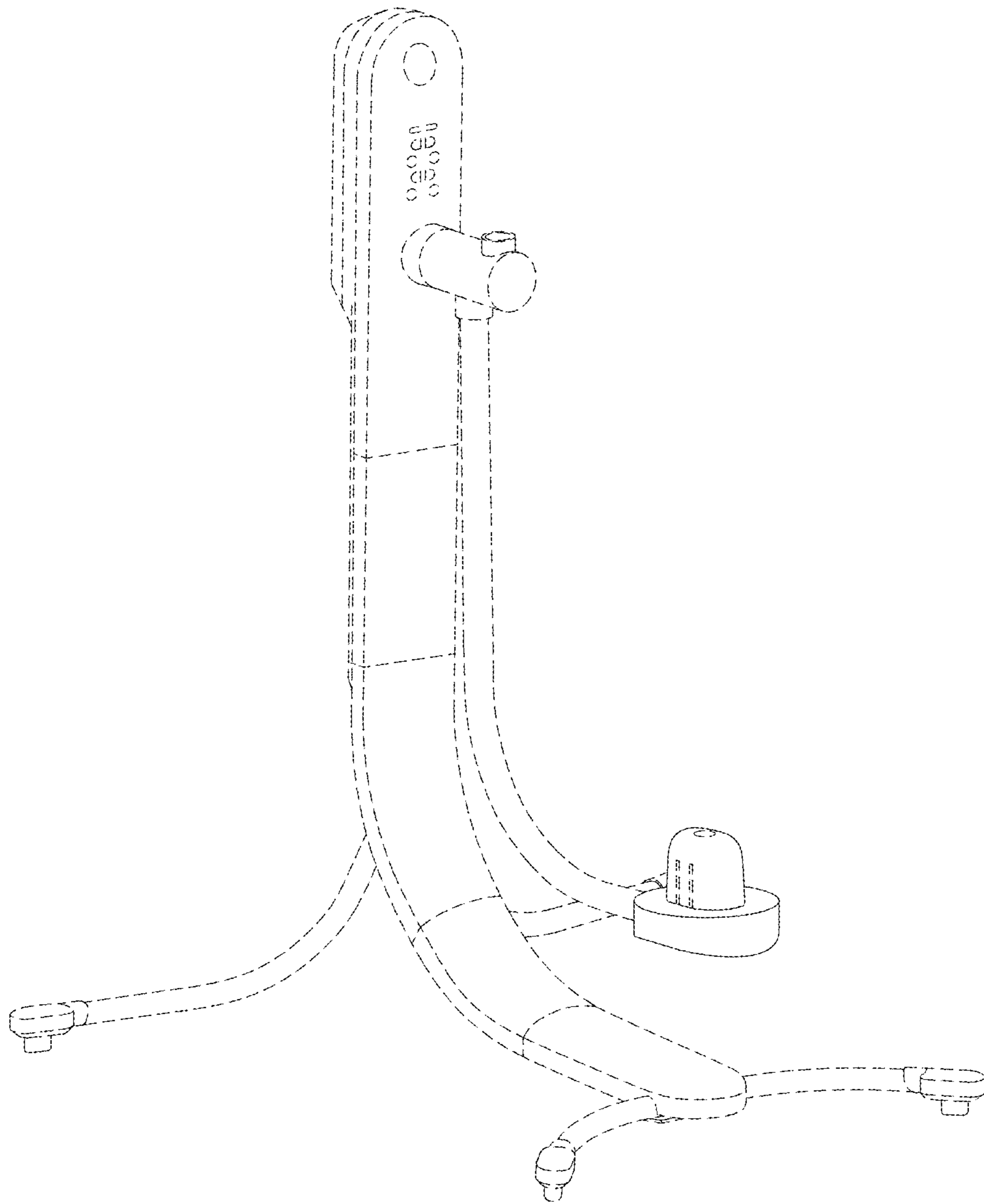


FIG.1

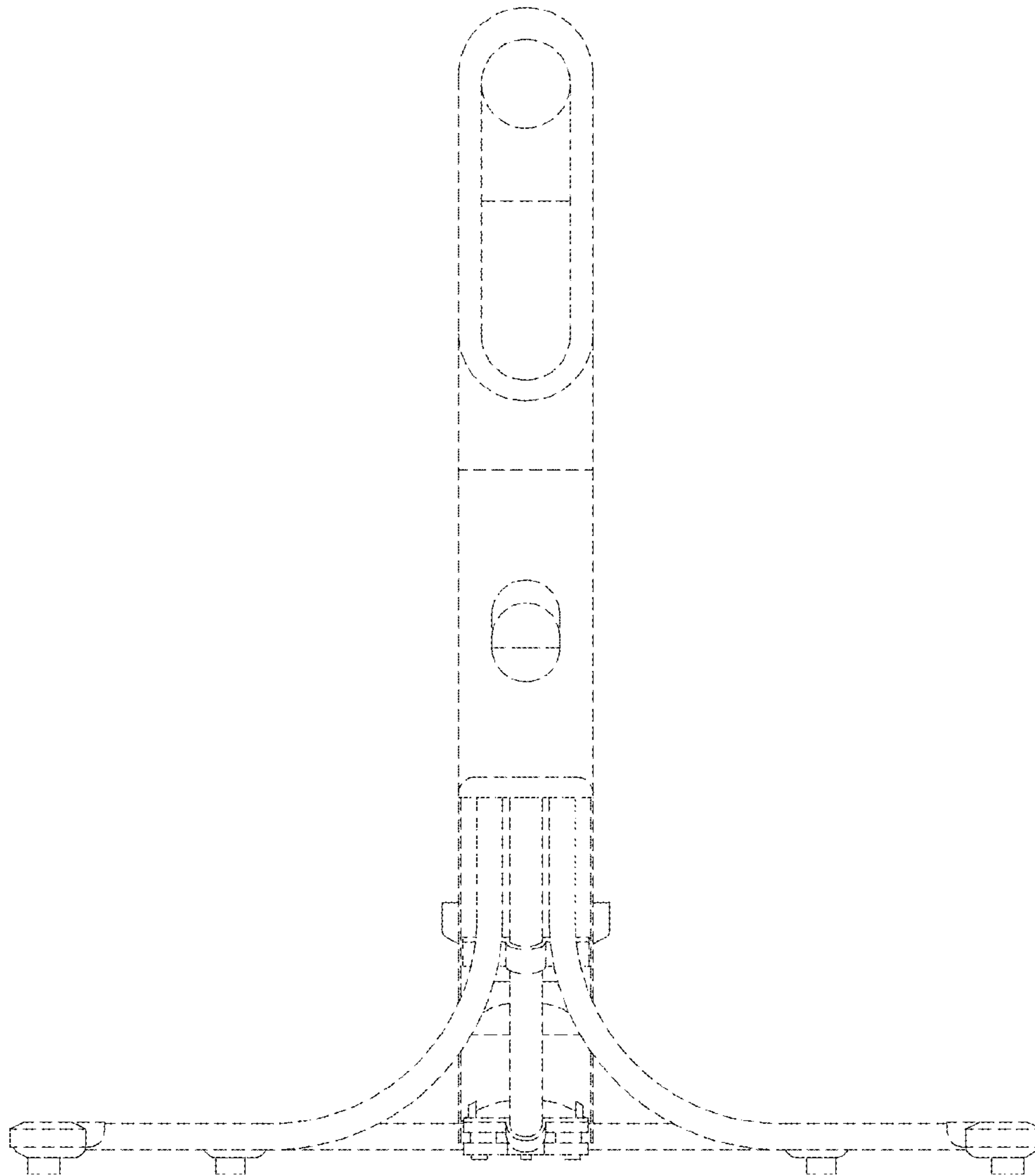


FIG.2

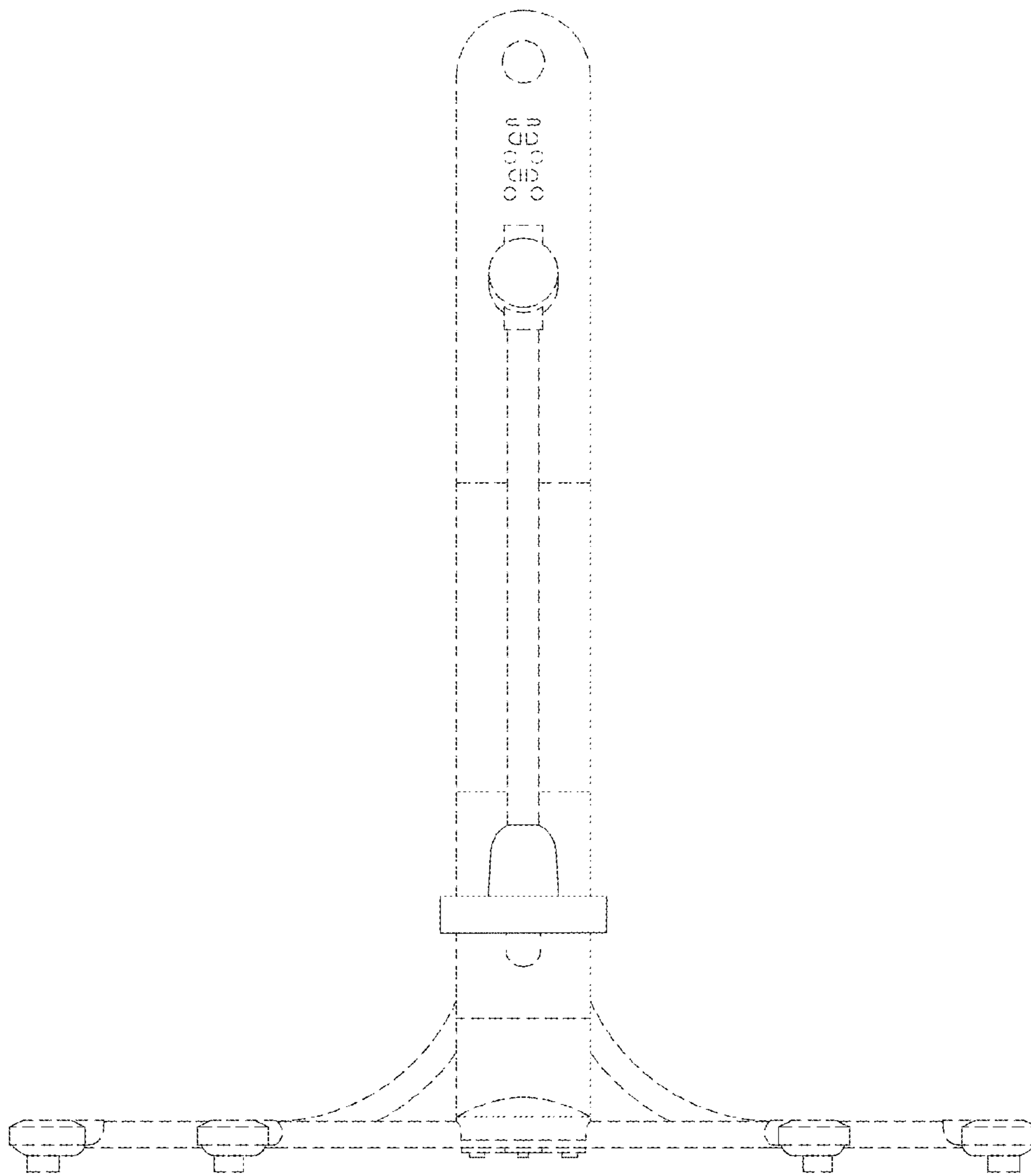


FIG.3

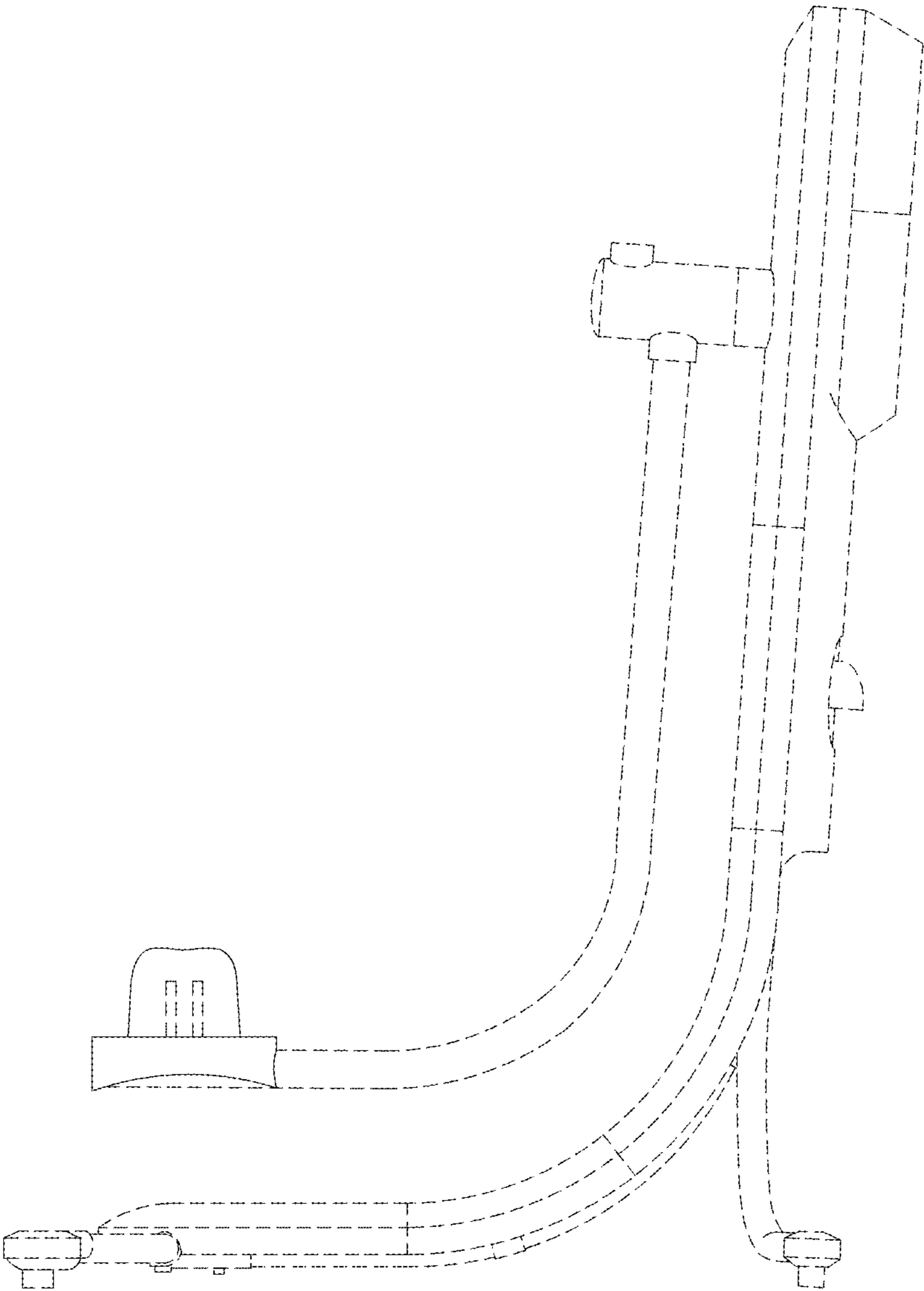


FIG.4

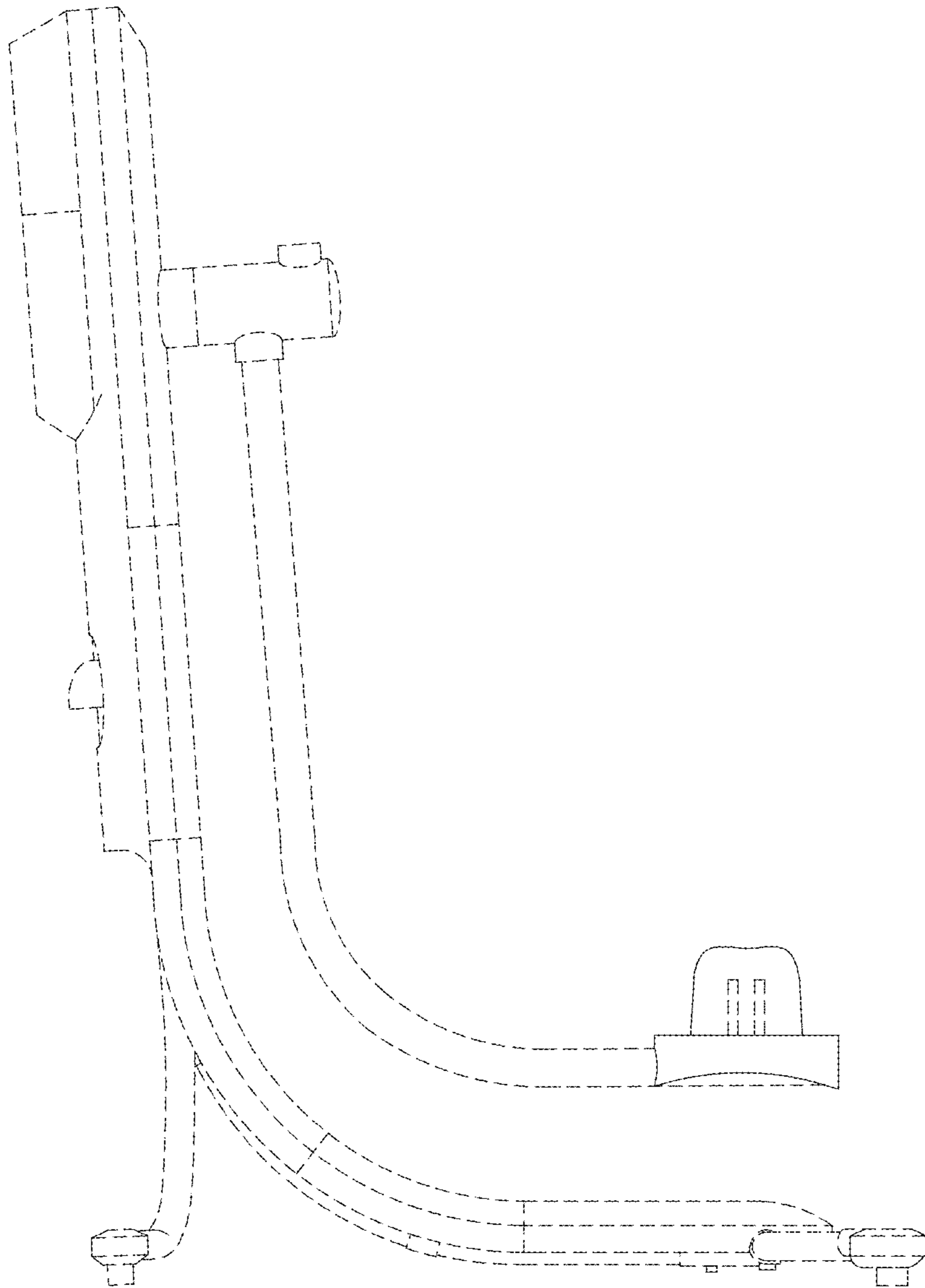


FIG.5

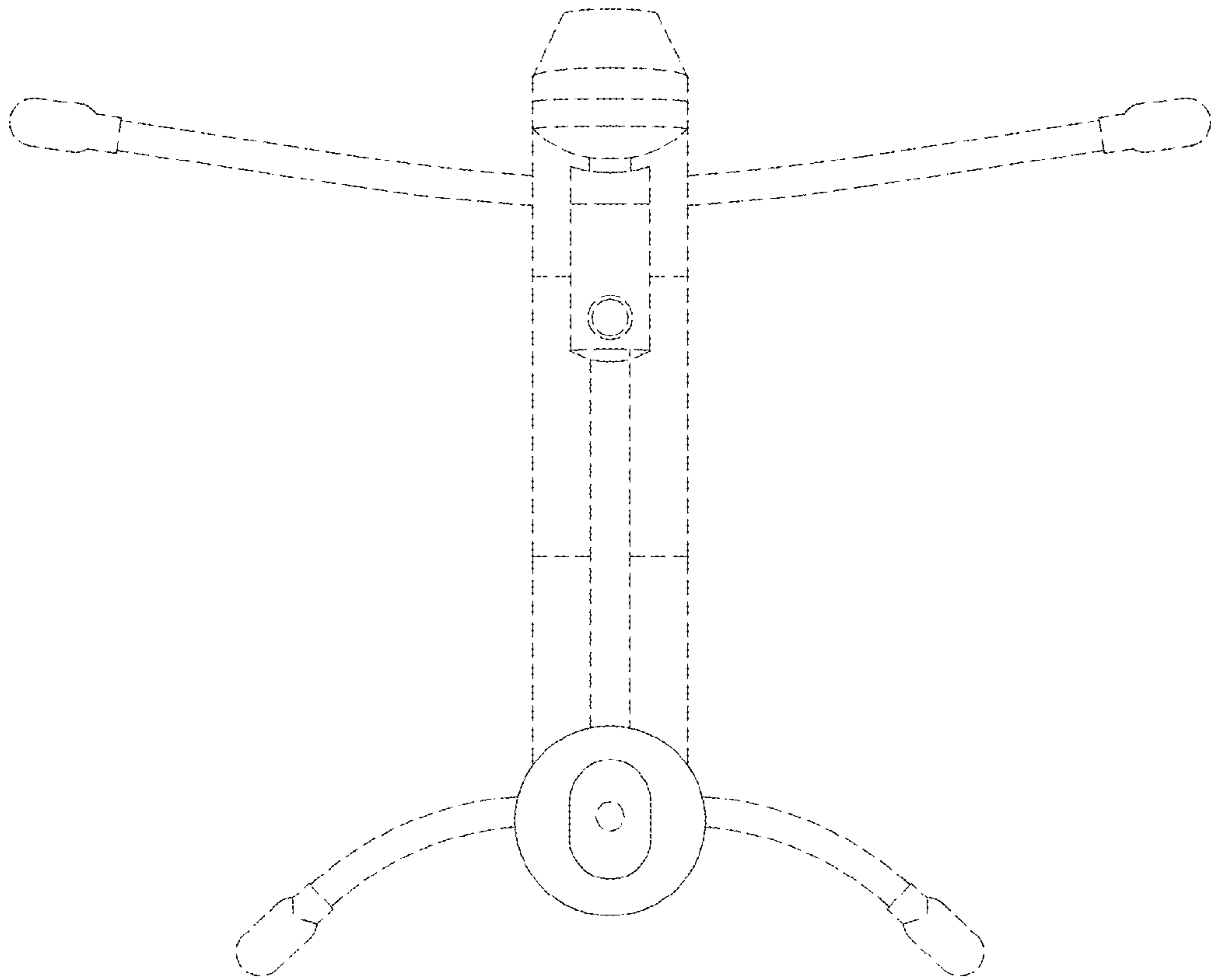


FIG.6



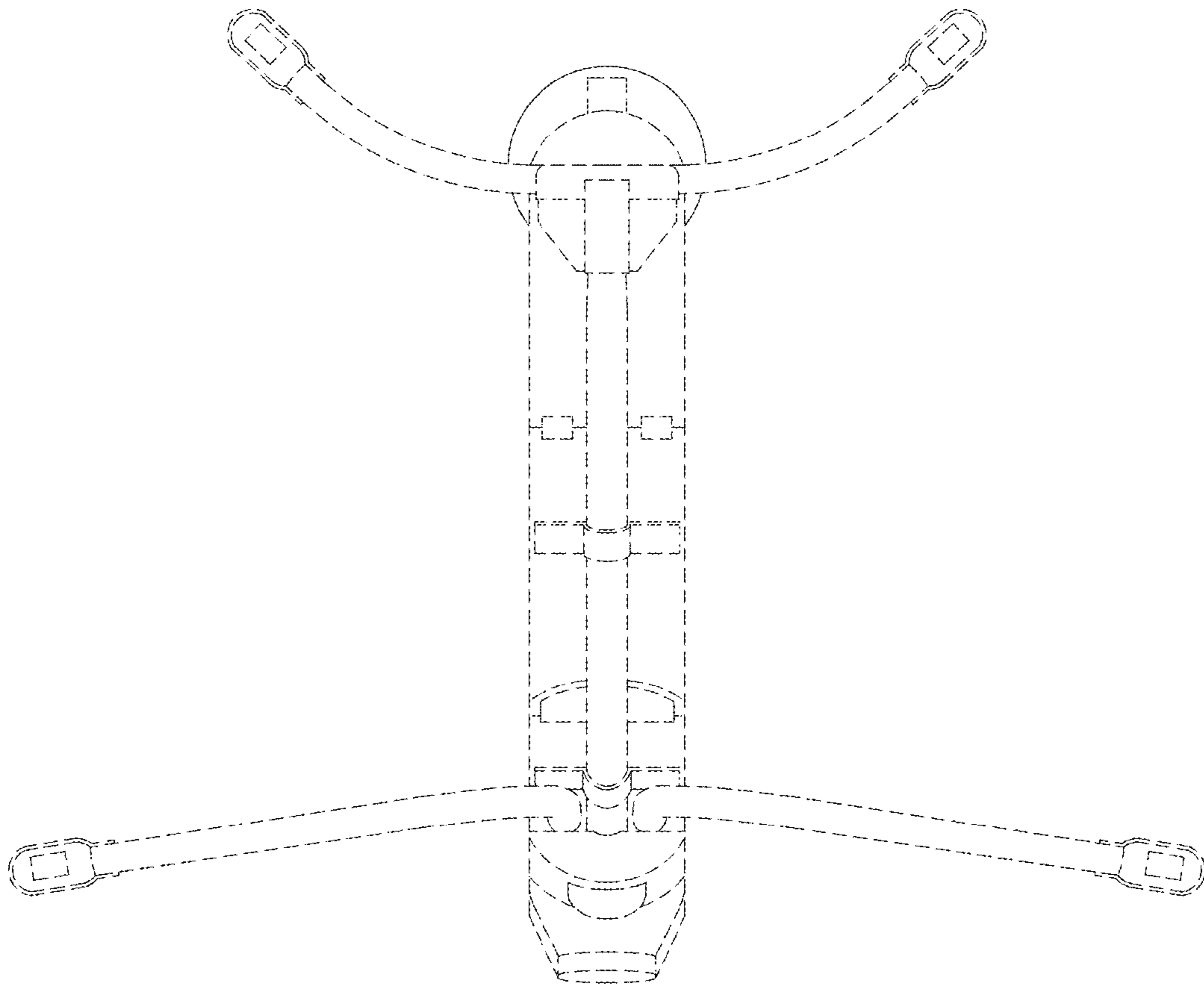


FIG.7