

US00D750924S

(12) **United States Design Patent**
Van Huystee et al.

(10) **Patent No.:** **US D750,924 S**
(45) **Date of Patent:** **** Mar. 8, 2016**

(54) **INFANT SWING FRAME**
(71) Applicant: **Mattel, Inc.**, El Segundo, CA (US)
(72) Inventors: **Maarten Van Huystee**, Lancaster, NY (US); **Kevin Crane**, Orchard Park, NY (US); **Kurt J. Huntsberger**, Arcade, NY (US)

7,770,971 B2 * 8/2010 Bellows A47D 9/02
297/256.1
7,824,273 B2 * 11/2010 Clapper A47D 9/02
472/119
7,874,927 B2 1/2011 Godiska
7,883,426 B2 2/2011 Bellows et al.
7,938,731 B2 * 5/2011 Papageorge A47D 13/10
297/250.1
D641,984 S 7/2011 Chen
8,029,377 B2 10/2011 Velderman et al.
D660,026 S 5/2012 Shi
D660,608 S 5/2012 Hasman
8,313,390 B2 11/2012 Lu
8,407,832 B2 4/2013 Galley

(73) Assignee: **Mattel, Inc.**, El Segundo, CA (US)

(**) Term: **14 Years**

(21) Appl. No.: **29/510,276**

(22) Filed: **Nov. 26, 2014**

(51) **LOC (10) Cl.** **06-01**

(52) **U.S. Cl.**
USPC **D6/715**

(58) **Field of Classification Search**
USPC D6/334, 335, 336, 344, 347, 348, 375,
D6/708.16, 715
CPC A47D 13/00; A47D 13/10; A47D 13/105;
A47D 13/107; A47D 9/02
See application file for complete search history.

(Continued)

FOREIGN PATENT DOCUMENTS

CN 101254056 A 9/2008
GB 2139881 A 11/1984

Primary Examiner — Mimoso De

(74) *Attorney, Agent, or Firm* — Edell, Shapiro & Finnan, LLC

(57) **CLAIM**

The ornamental design for a infant swing frame, as shown and described.

(56) **References Cited**

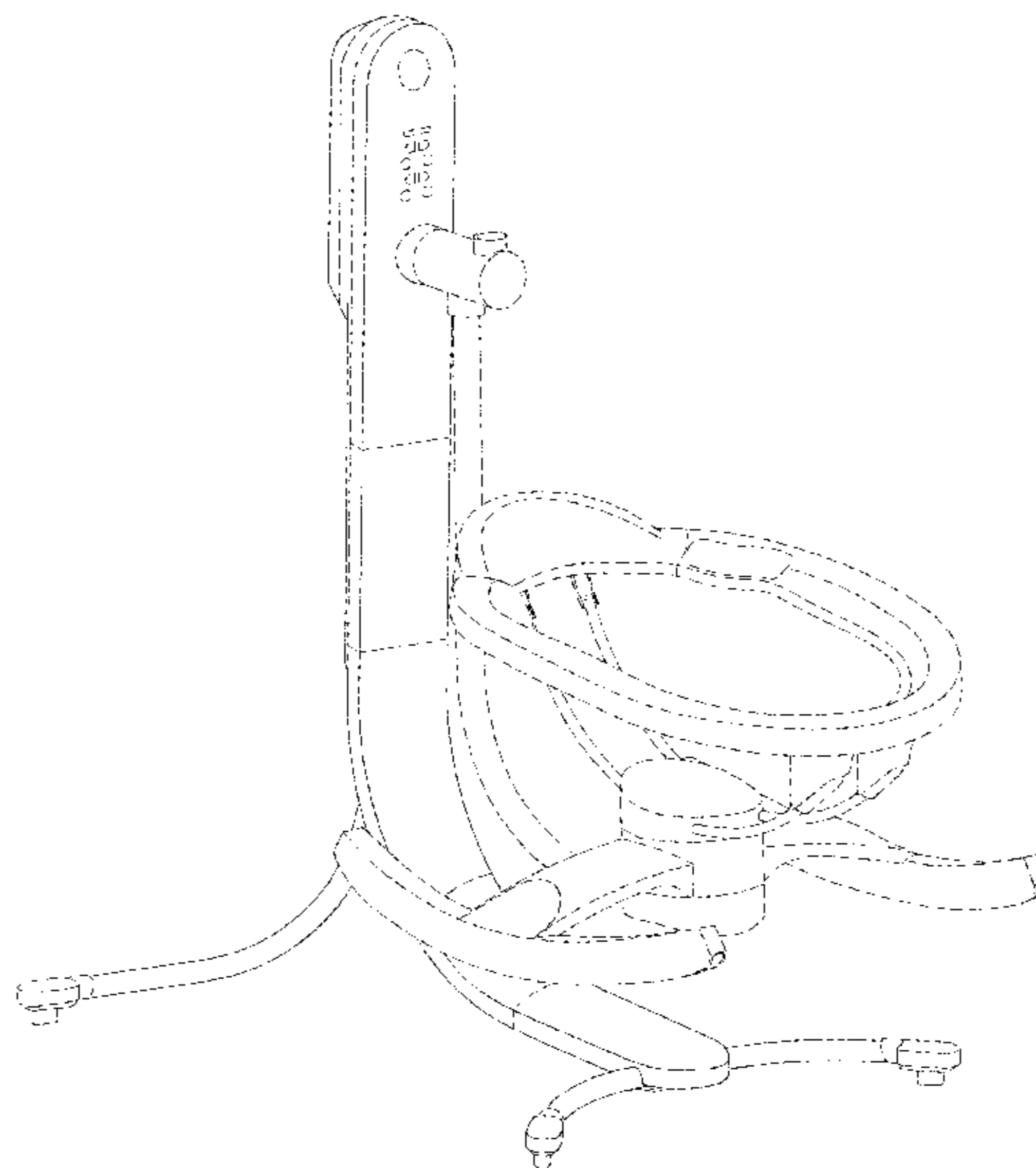
U.S. PATENT DOCUMENTS

D58,163 S 6/1921 Reuther
3,147,972 A 9/1964 Borsuk
3,528,657 A 9/1970 Krupsky
4,550,456 A 11/1985 Allen
5,564,987 A 10/1996 Ayrolles
6,027,409 A 2/2000 Favorito et al.
7,507,163 B2 3/2009 Haut
7,563,170 B2 7/2009 Bellows et al.
7,717,800 B2 5/2010 Pyrcce
7,727,078 B2 * 6/2010 Arnold, IV A47D 9/02
472/118
7,748,063 B2 7/2010 Chen et al.

DESCRIPTION

FIG. 1 is a front perspective view of a infant swing frame according to the present invention;
FIG. 2 is rear view of the infant swing frame of FIG. 1;
FIG. 3 is a front view of the infant swing frame of FIG. 1;
FIG. 4 is a right side view of the infant swing frame of FIG. 1;
FIG. 5 is a left side view of the infant swing frame of FIG. 1;
FIG. 6 is a top view of the infant swing frame of FIG. 1; and,
FIG. 7 is a bottom view of the infant swing frame of FIG. 1.
The portions shown in phantom are for illustrative purposes only and form no part of the claimed design.

1 Claim, 7 Drawing Sheets



US D750,924 S

Page 2

(56)

References Cited

U.S. PATENT DOCUMENTS

D692,681 S *	11/2013	Robbins	D6/347	2008/0136236 A1*	6/2008	Kincaid	A47D 9/02 297/260.2
D728,290 S *	5/2015	Shapiro	D6/715	2013/0012329 A1	1/2013	Burns et al.	
D737,616 S *	9/2015	Mountz	D6/708.16	2013/0184088 A1	7/2013	Haut	
				2013/0244803 A1	9/2013	Haut et al.	

* cited by examiner

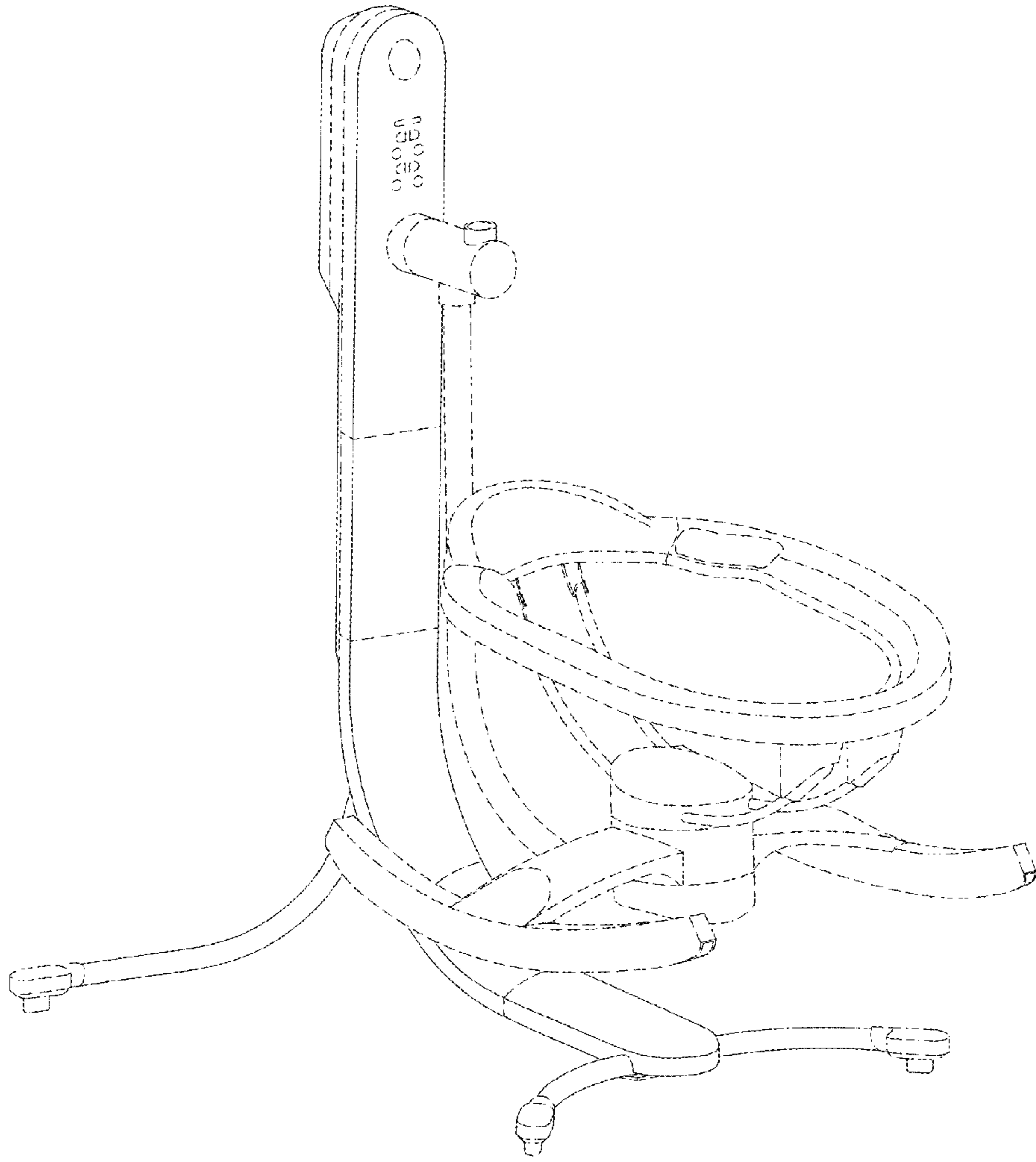


FIG.1

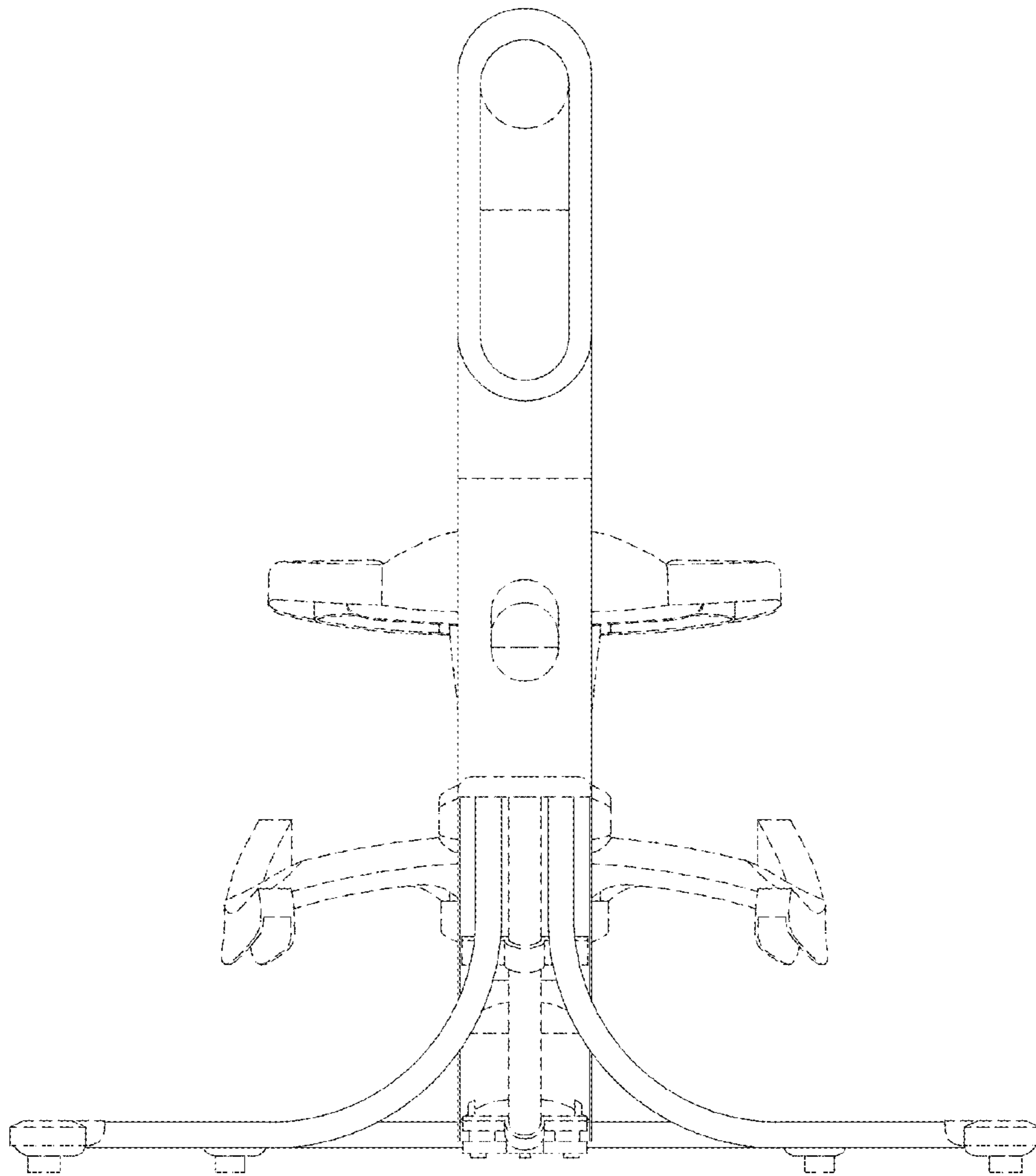


FIG.2

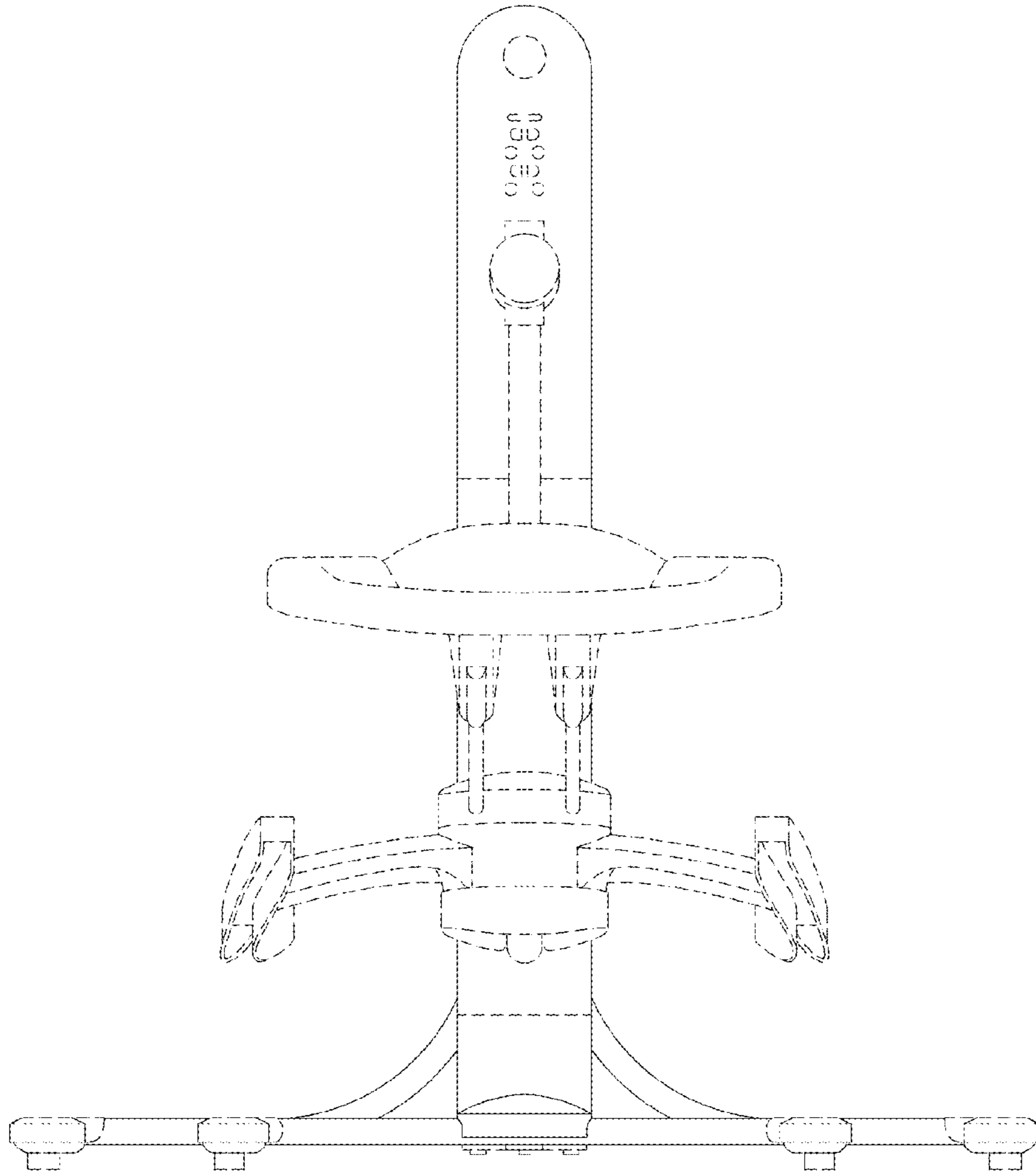


FIG.3

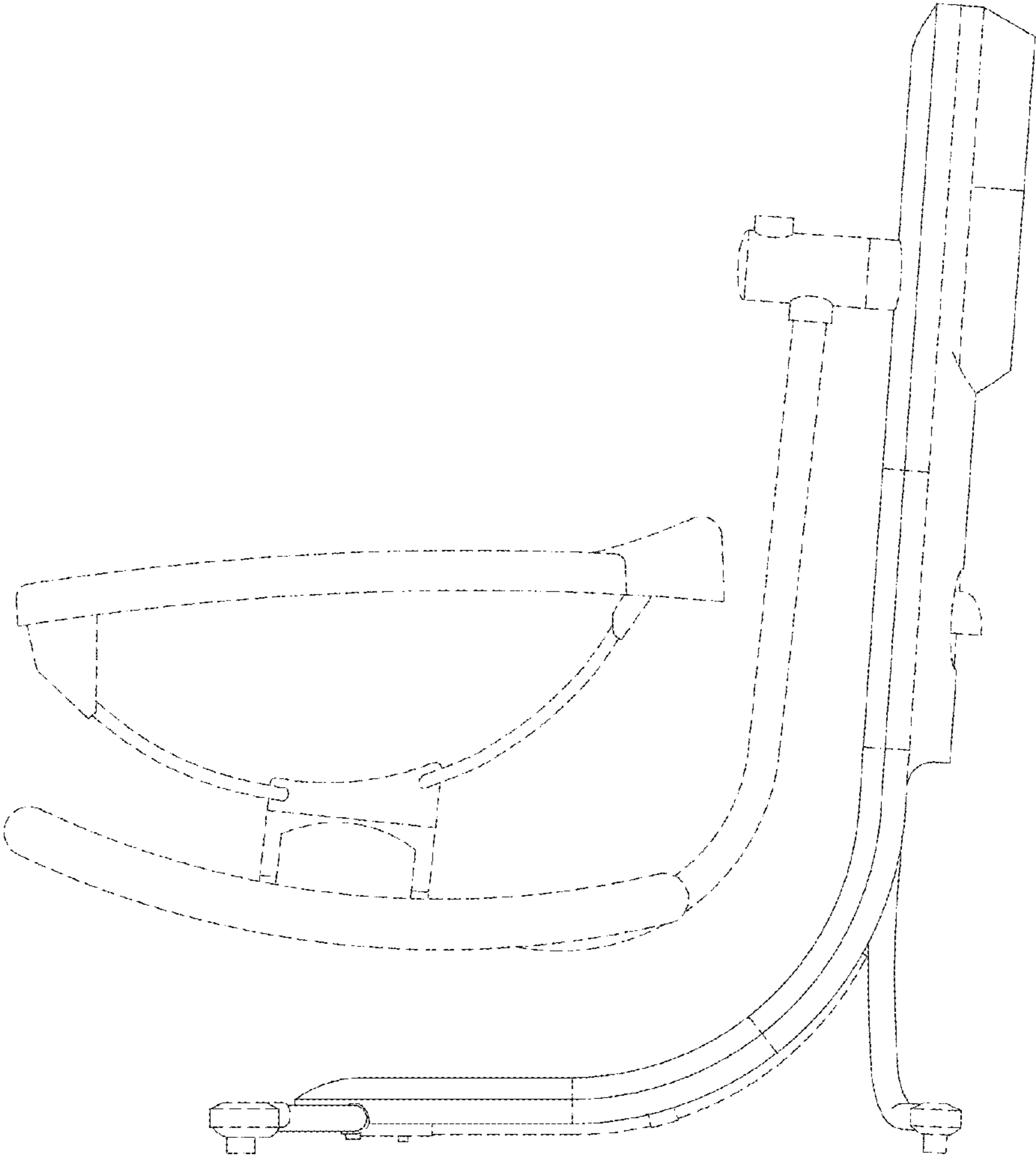


FIG.4

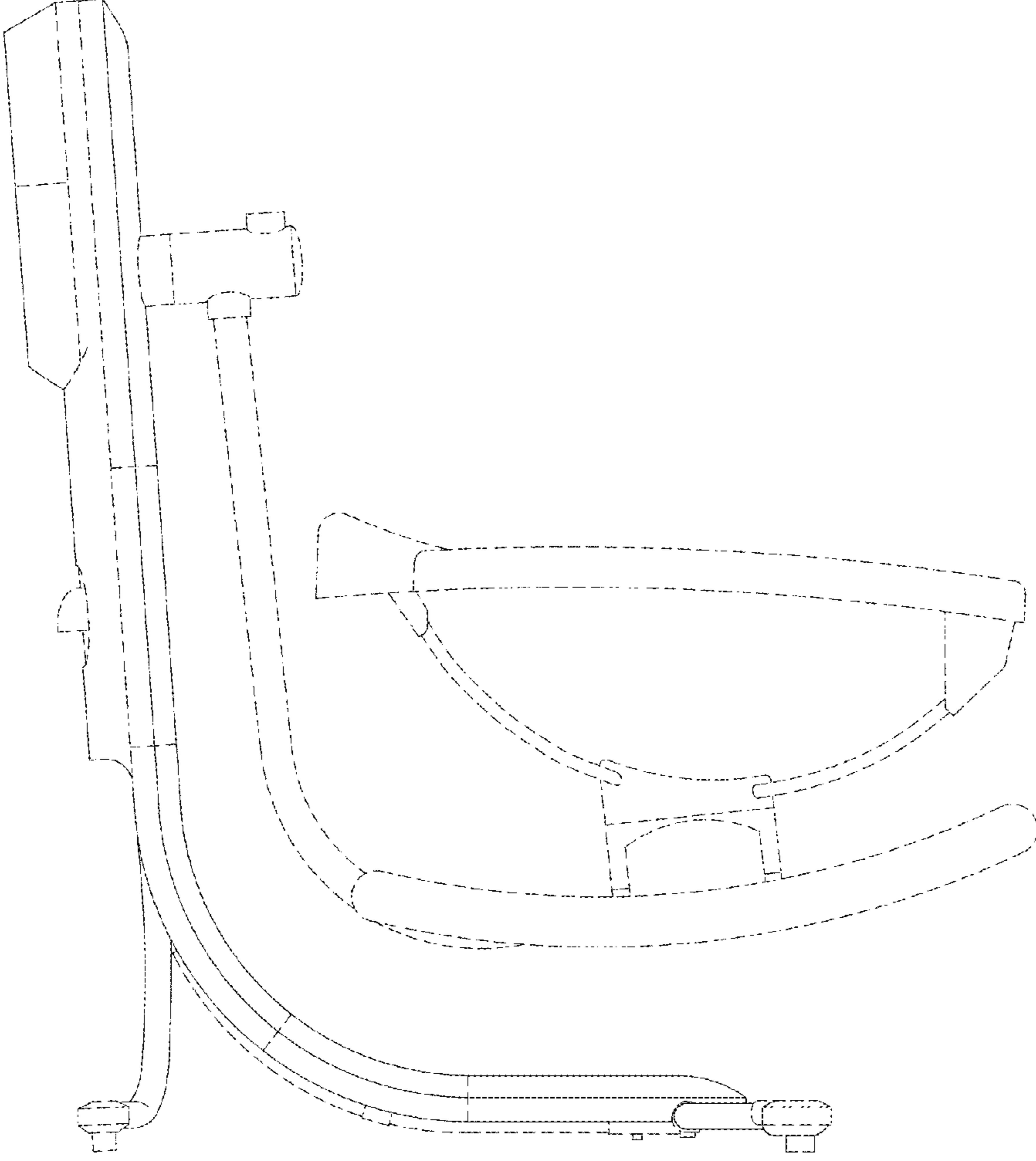


FIG.5

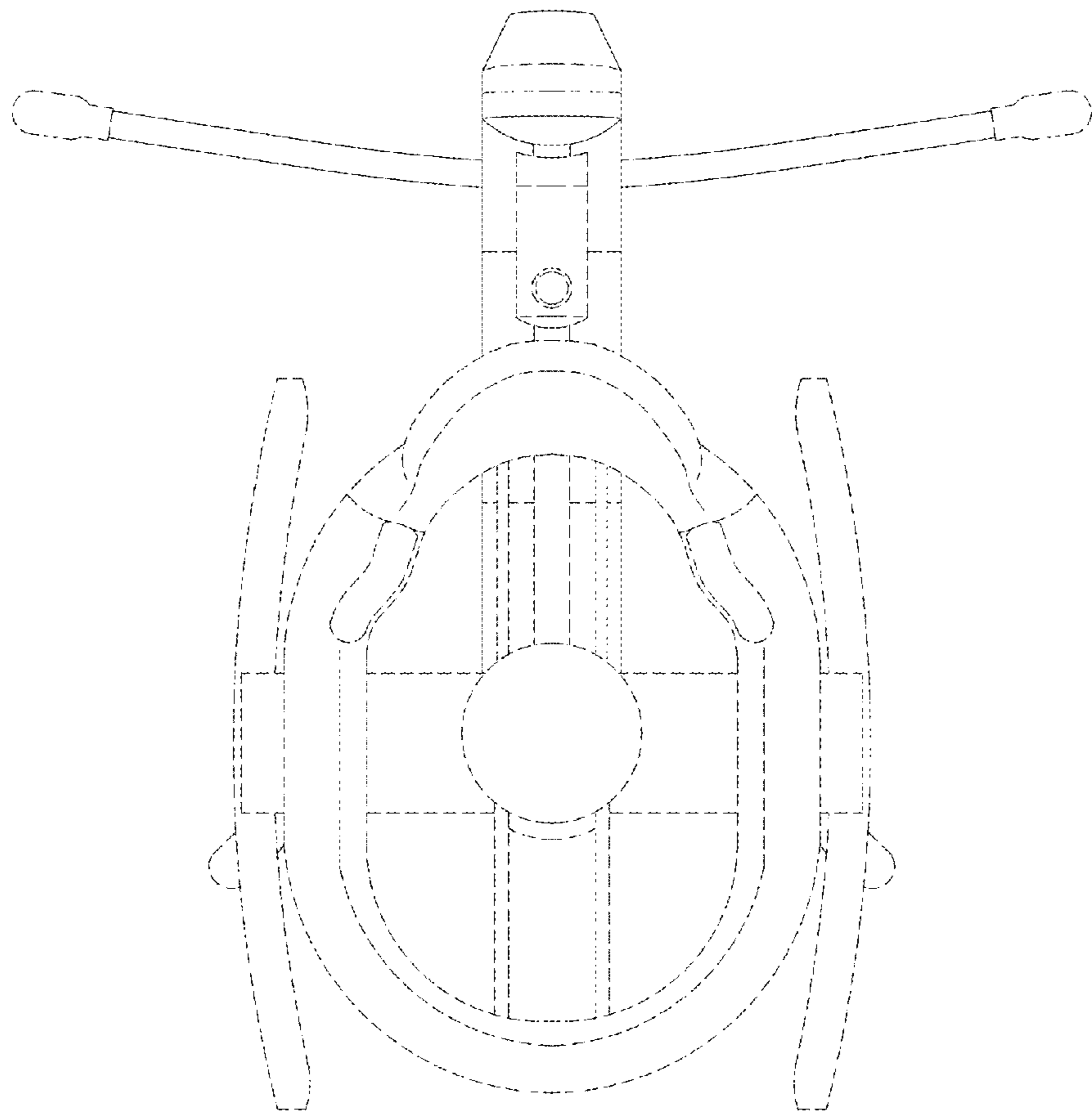


FIG.6

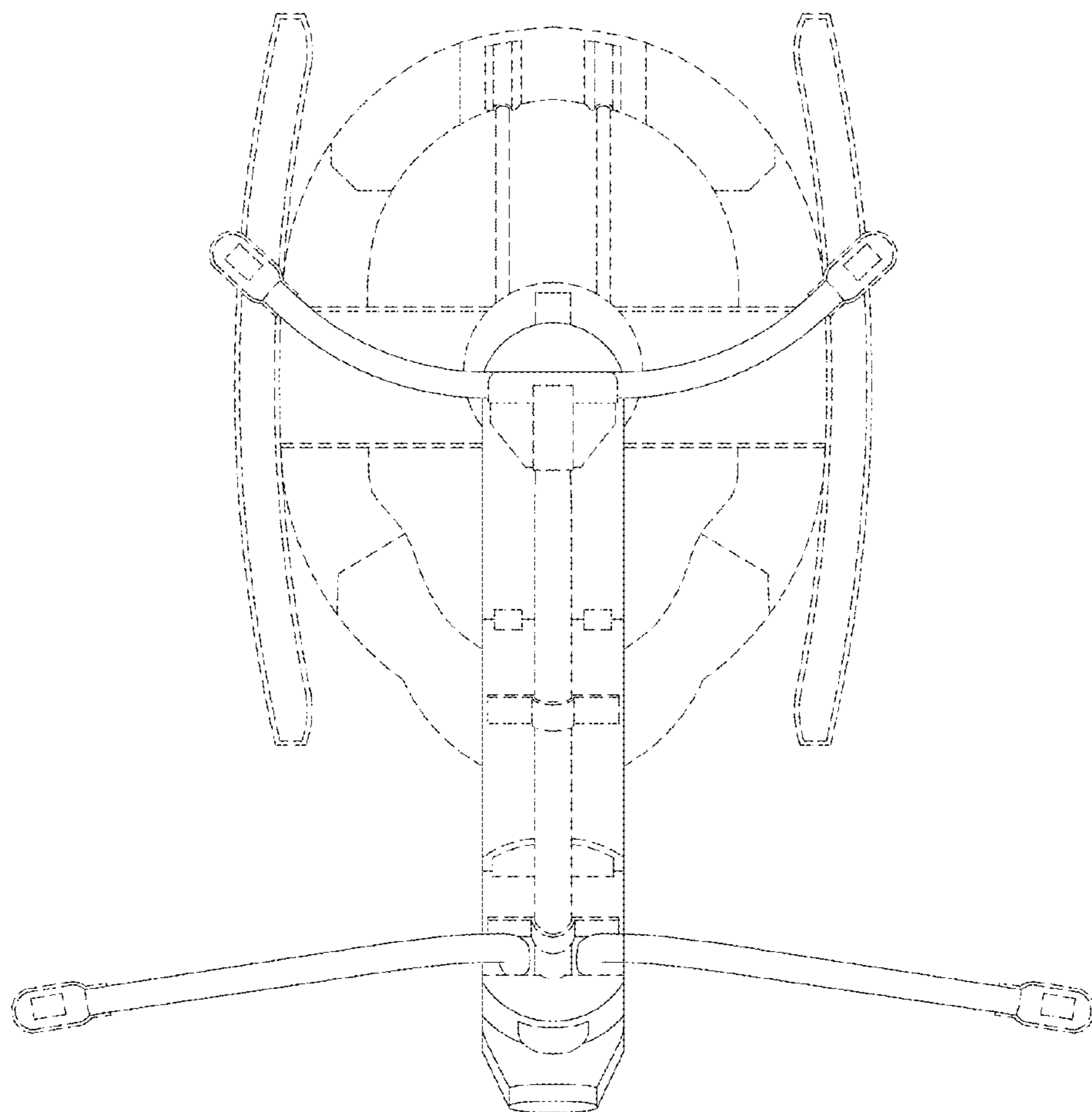


FIG.7

UNITED STATES PATENT AND TRADEMARK OFFICE
CERTIFICATE OF CORRECTION

PATENT NO. : D750,924 S
APPLICATION NO. : 29/510276
DATED : March 8, 2016
INVENTOR(S) : Maarten Van Huystee et al.

Page 1 of 1

It is certified that error appears in the above-identified patent and that said Letters Patent is hereby corrected as shown below:

On the title page under the CLAIM item (57), line 1, change from “The ornamental design for a infant swing frame, as shown and described.” to --The ornamental design for an infant swing frame, as shown and described.--

On the title page under the DESCRIPTION item (57), line 1, change from “FIG. 1 is a front perspective view of a infant swing frame according to the present invention.” to --FIG. 1 is a front perspective view of an infant swing frame according to the present invention.--

Signed and Sealed this
Tenth Day of May, 2016



Michelle K. Lee
Director of the United States Patent and Trademark Office