

US00D750923S

(12) **United States Design Patent**
Weidler

(10) **Patent No.:** **US D750,923 S**
(45) **Date of Patent:** **** Mar. 8, 2016**

(54) **DINING TABLE**

D293,400 S * 12/1987 Stewart D6/691
D697,349 S * 1/2014 Weidler D6/708.16
D699,991 S * 2/2014 Weidler D6/708.16

(71) Applicant: **Robert Craig Weidler**, Mableton, GA
(US)

* cited by examiner

(72) Inventor: **Robert Craig Weidler**, Mableton, GA
(US)

Primary Examiner — Janice Seeger
(74) *Attorney, Agent, or Firm* — E J Asbury III, LLC

(**) Term: **14 Years**

(21) Appl. No.: **29/487,834**

(57) **CLAIM**
The ornamental design for a dining table, as shown and described.

(22) Filed: **Apr. 11, 2014**

(51) **LOC (10) Cl.** **06-06**

(52) **U.S. Cl.**
USPC **D6/708.16**

DESCRIPTION

(58) **Field of Classification Search**
USPC D6/708, 708.16, 691, 691.6, 692, 692.4
CPC .. A47B 13/02; A47B 2013/024; A47B 13/06;
A47B 2013/022; A47B 2200/012
See application file for complete search history.

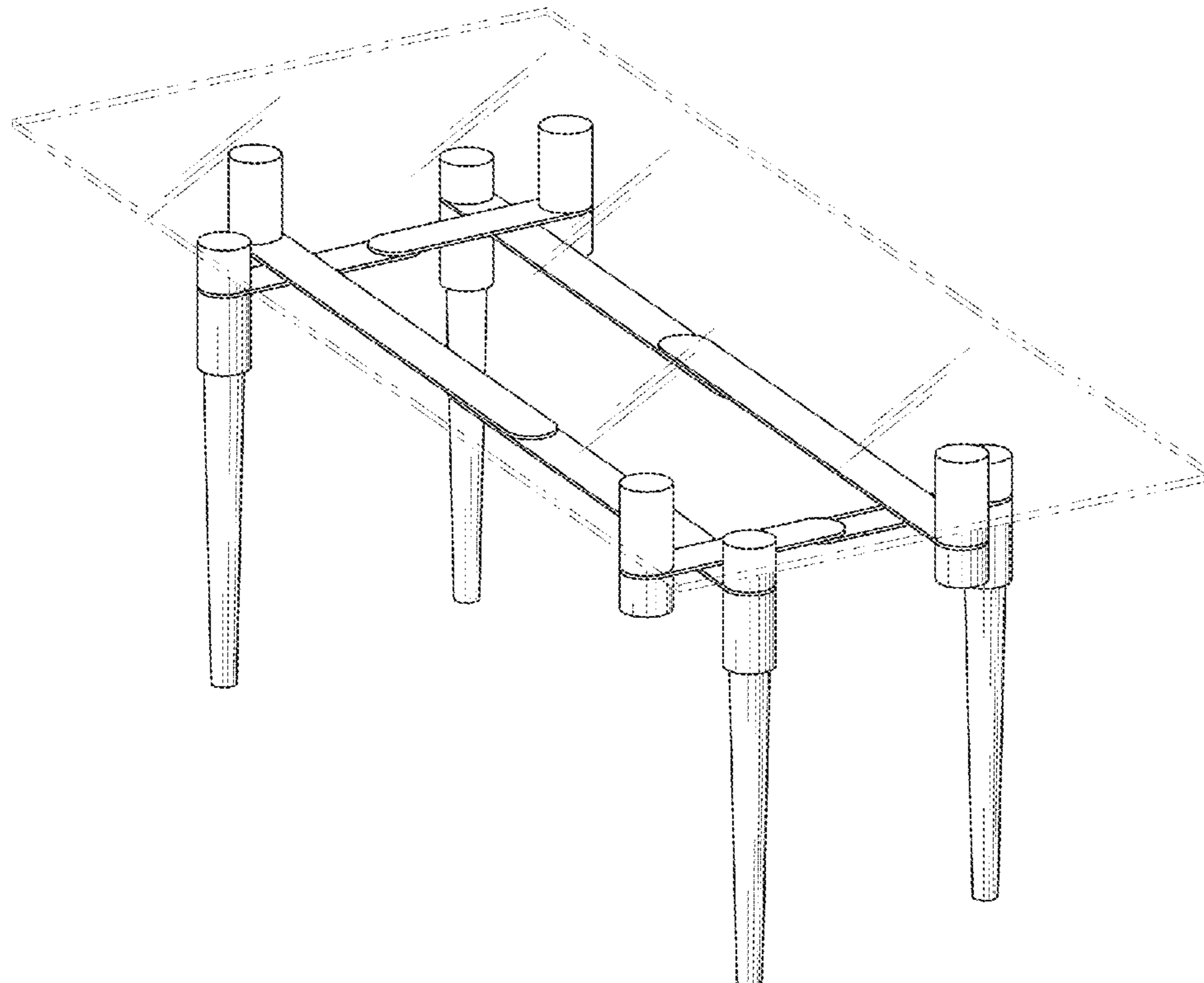
FIG. 1 is a side perspective view of the coffee table;
FIG. 2 is a front view;
FIG. 3 is a right side view;
FIG. 4 is a back view;
FIG. 5 is a left side view;
FIG. 6 is a top view; and,
FIG. 7 is a bottom view.
The broken lines shown in FIGS. 1-7 show environmental structure and form no part of the claimed design.

(56) **References Cited**

U.S. PATENT DOCUMENTS

D134,388 S * 11/1942 Waltman D6/692
D279,633 S * 7/1985 Bromley D6/691

1 Claim, 5 Drawing Sheets



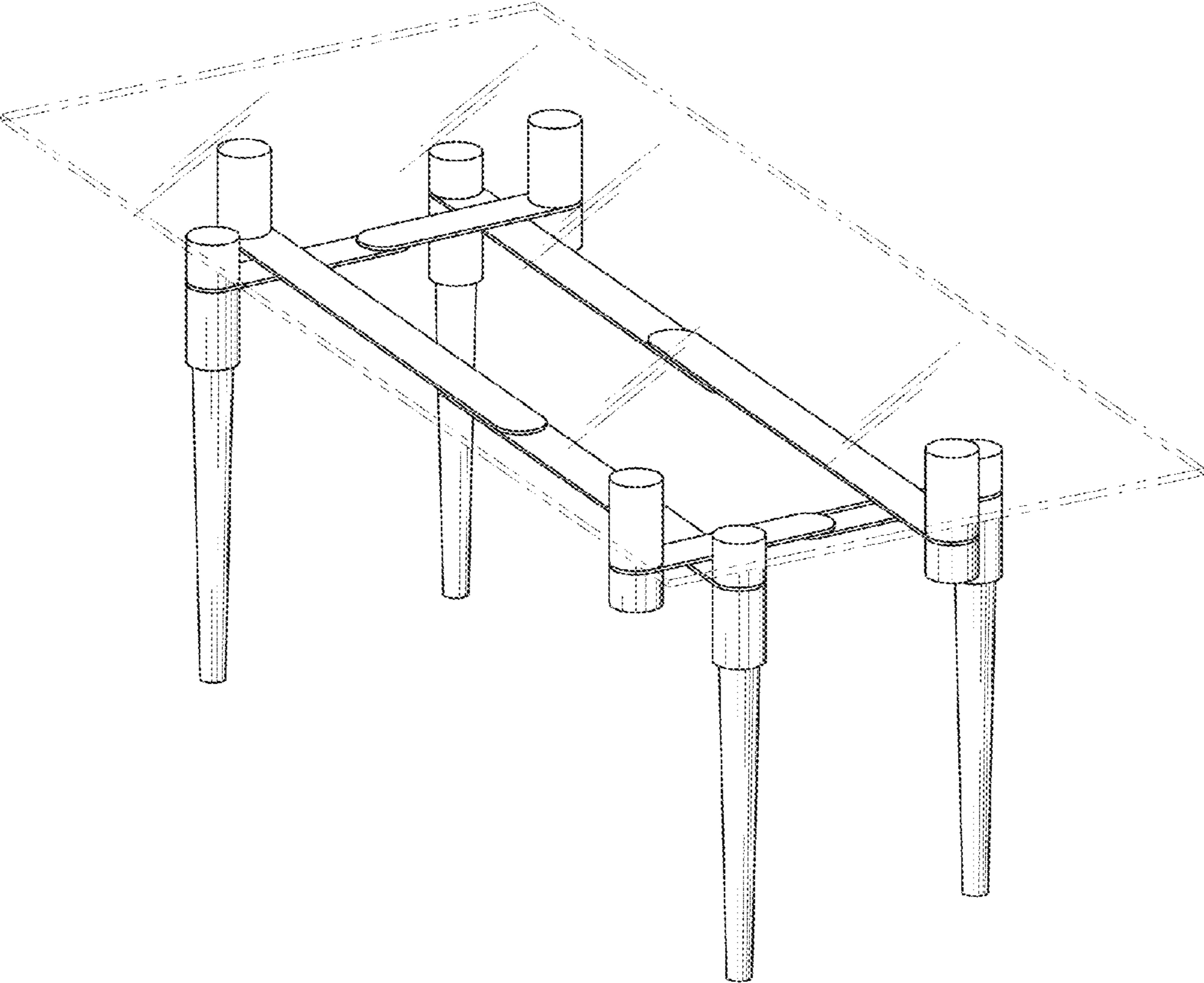


FIG. 1

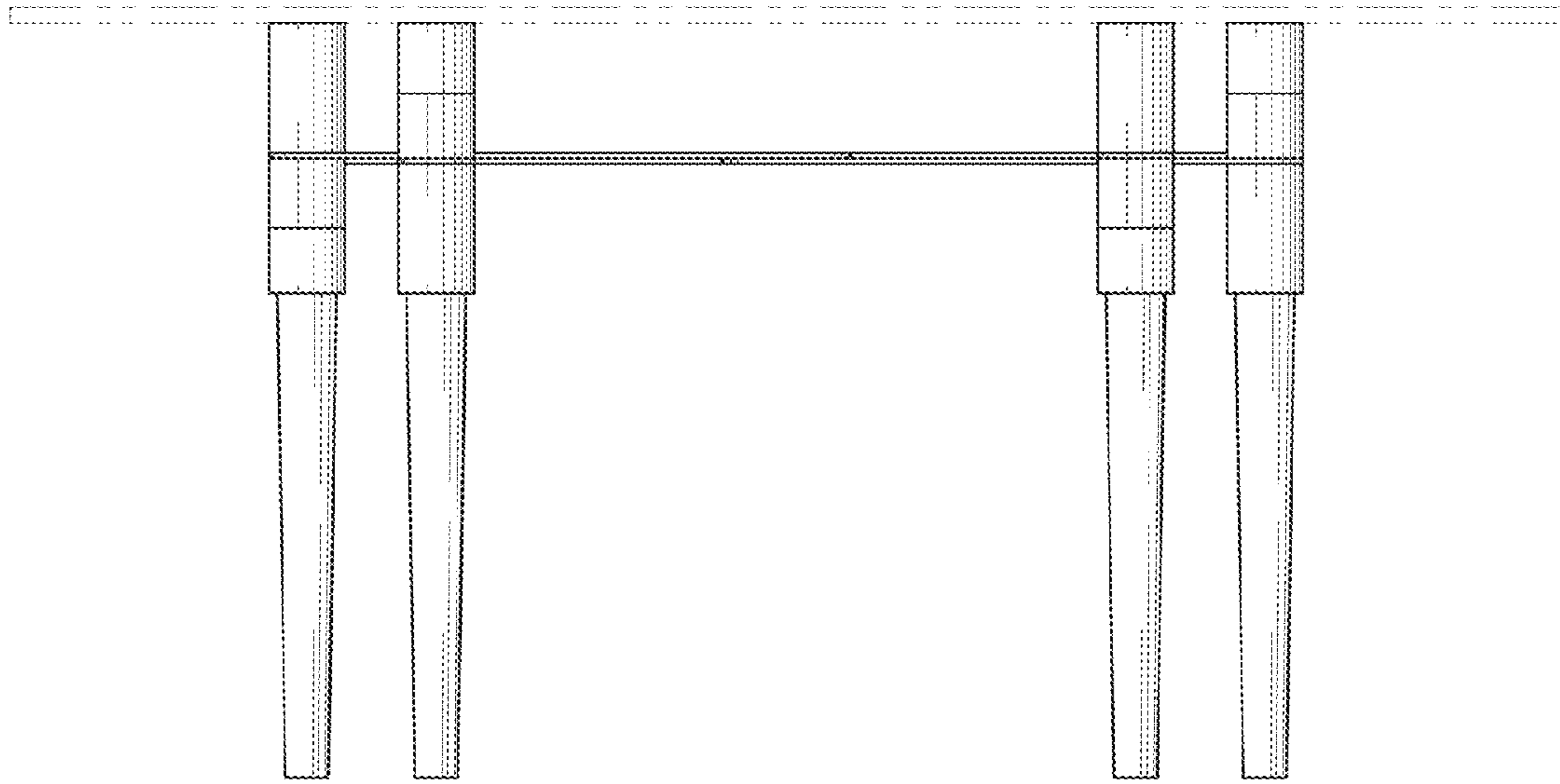


FIG. 2

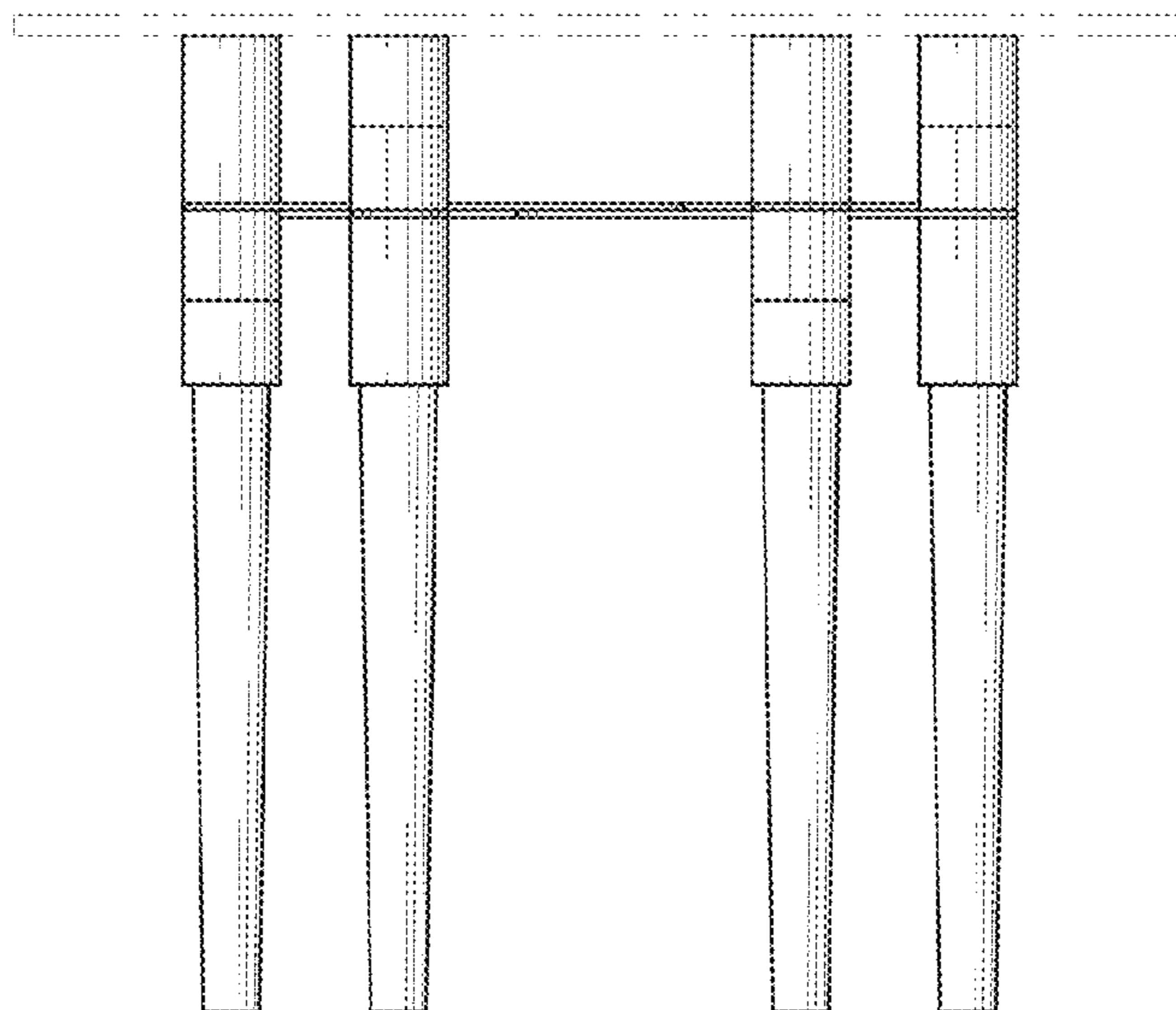


FIG. 3

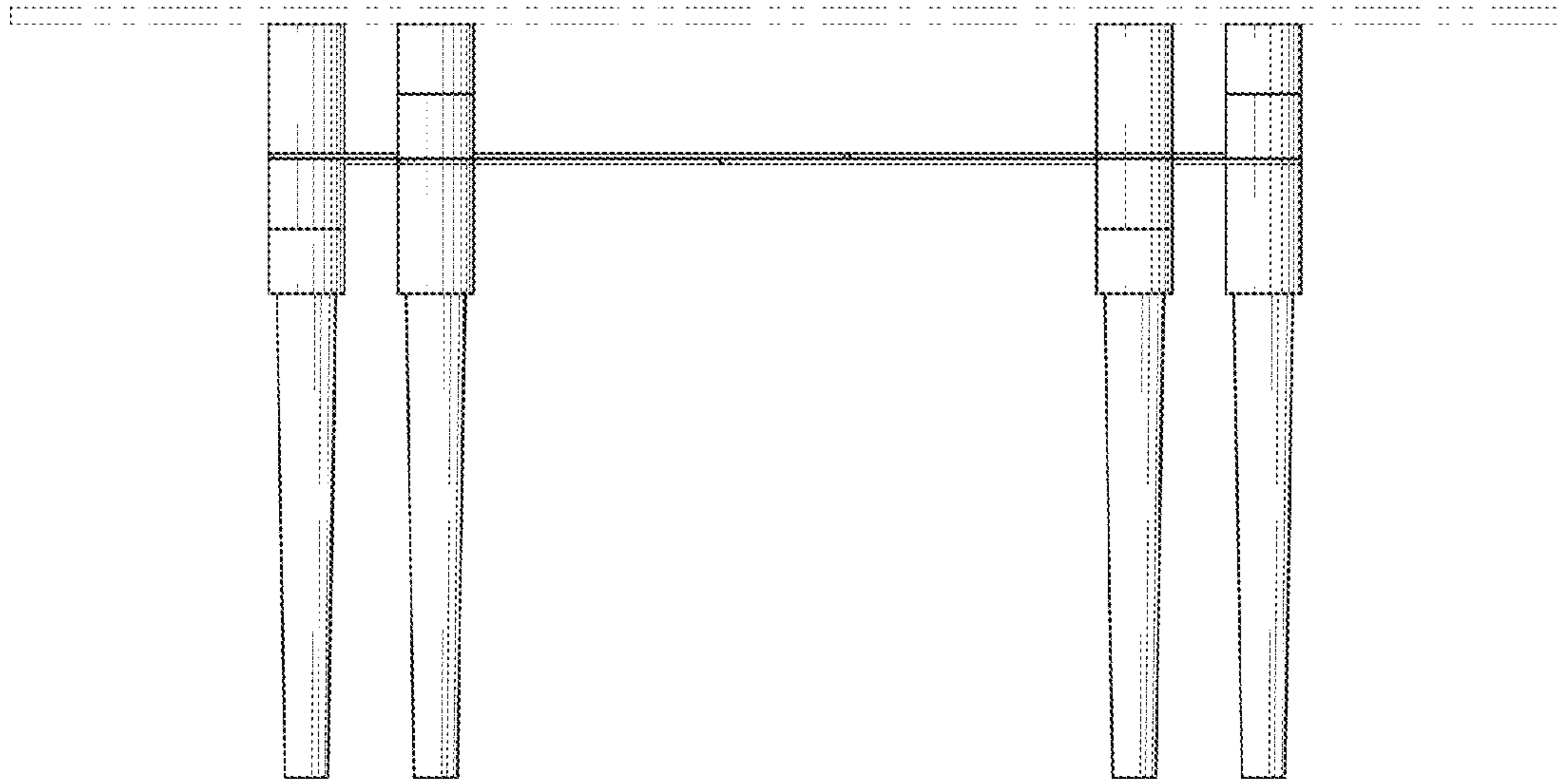


FIG. 4

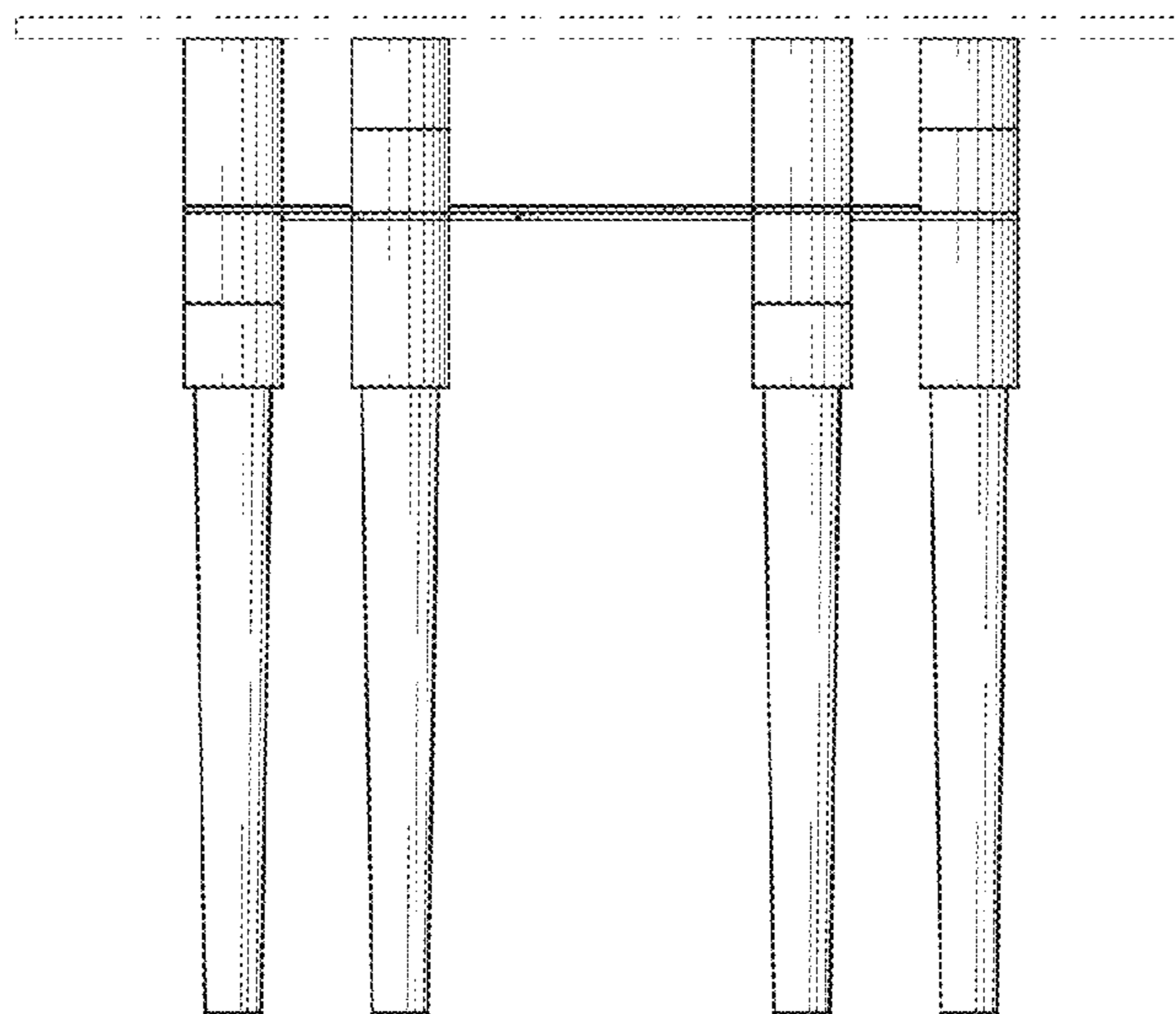


FIG. 5

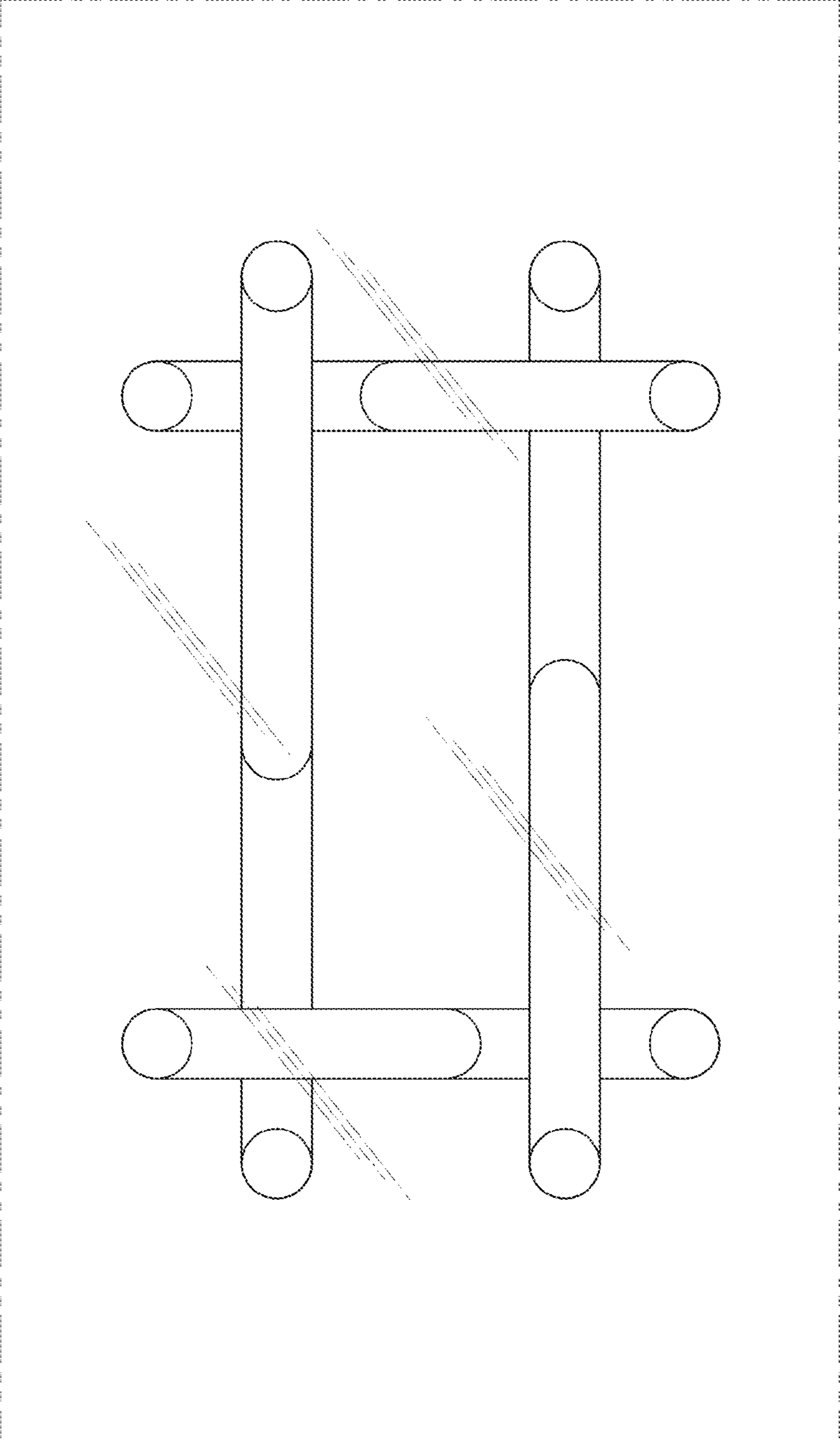


FIG. 6

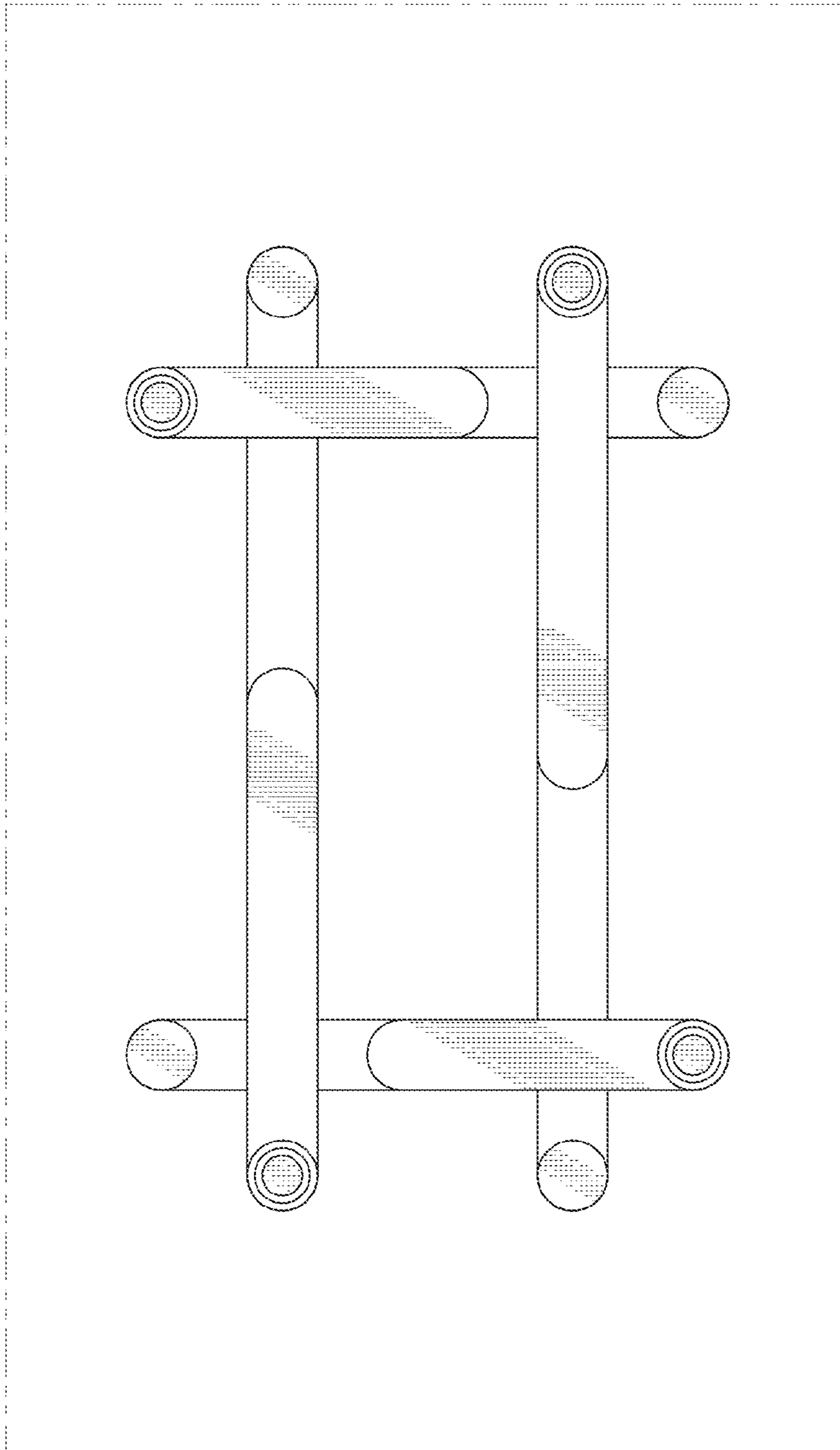


FIG. 7